

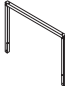


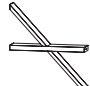
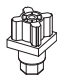





Assembly Instructions



Combi Oven Stand

Item #: 3510C1OBSKD, 3510C2OBSKD

Parts:

1 2 pcs Stand Frame Legs 	2 2 pcs Stand Cross Bars 	3 1 pc Undershelf 	4 2 pcs Cross Support Bars 	5 4 pcs Stand Feet 
6 16 pcs M8*55 Hexagon Bolt 	7 4 pcs M8*30 Hexagon Bolt 	8 20 pcs M8*16 Washer 	9 4 pcs M6*12 Countersunk Head Screw 	10 4 pcs Oven Foot Cups 

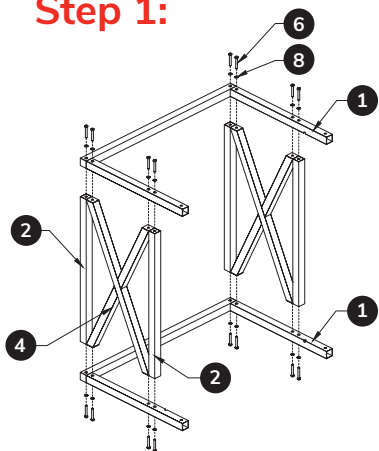
WARNING:

Risk of personal injury. Stainless Steel edges may be sharp and can cause cuts. Wear gloves during installation and handle with care.

WARNING:

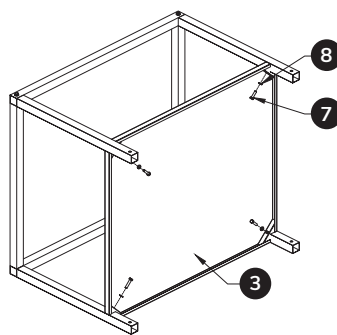
Improper installation can cause damage and serious injury. Follow assembly instructions carefully and refer to equipment warnings, installation instructions, and operation instructions prior to using oven with this equipment stand.

Step 1:



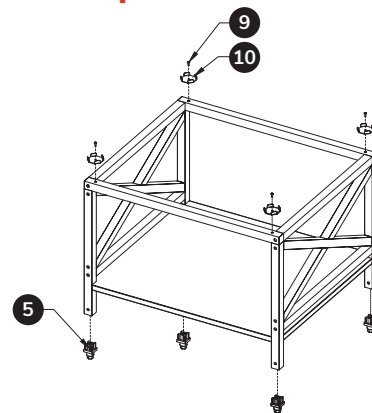
Attach the stand frame legs (1) to the stand cross bars (2) and the cross support bars (4) using the sixteen M8*55 hexagon bolts (6) and sixteen of the M8*16 washers (8).

Step 2:



Attach the undershelf (3) to the stand frame using the four M8*30 hexagon bolts (7) and the remaining four M8*16 washers (8).

Step 3:



Install the feet for the stand (5) and attach the oven foot cups (10) to the top of the stand using the four M6*12 countersunk head screws (9).

Final Assembly

