



Commercial Ranges with Convection Ovens



351CO36L, 351CO36N

351CC60L, 351CC60N

REVISED 04/2024

Contents

Safety Precautions.....	2	Parts Diagrams: 351CC60L & 351CC60N	
Gas Pressure.....	2	Main Body.....	9
Parts Diagrams: 351CO36L & 351CO36N		Burner Assembly.....	11
Main Body.....	3	Oven Chamber Assembly.....	13
Burner Assembly.....	5	Oven Door Assembly.....	14
Oven Chamber Assembly.....	7	Rear Plate Assembly.....	15
Rear Plate Assembly.....	8	Gas Pipe Assembly.....	16
		Circuit Diagrams	
		351CO36L & 351CO36N.....	17
		351CC60L & 351CC60N.....	17

Safety Precautions

CAUTION

- Failure to comply with the following operation instructions could lead to potential hazards and/or unsafe practice and could result in injury and damage to product and property.

WARNING

- Do not store or use gasoline or other flammable vapors and liquids in the vicinity of this or any other equipment.
- Improper installation, adjustment, alteration, service, or maintenance could lead to property damage, injury, or death. Read the installation, operating, and maintenance instructions thoroughly before installing or servicing CPG equipment. This manual must be retained for future reference.
- A fully licensed installer must handle all maintenance and repair.

NOTICE

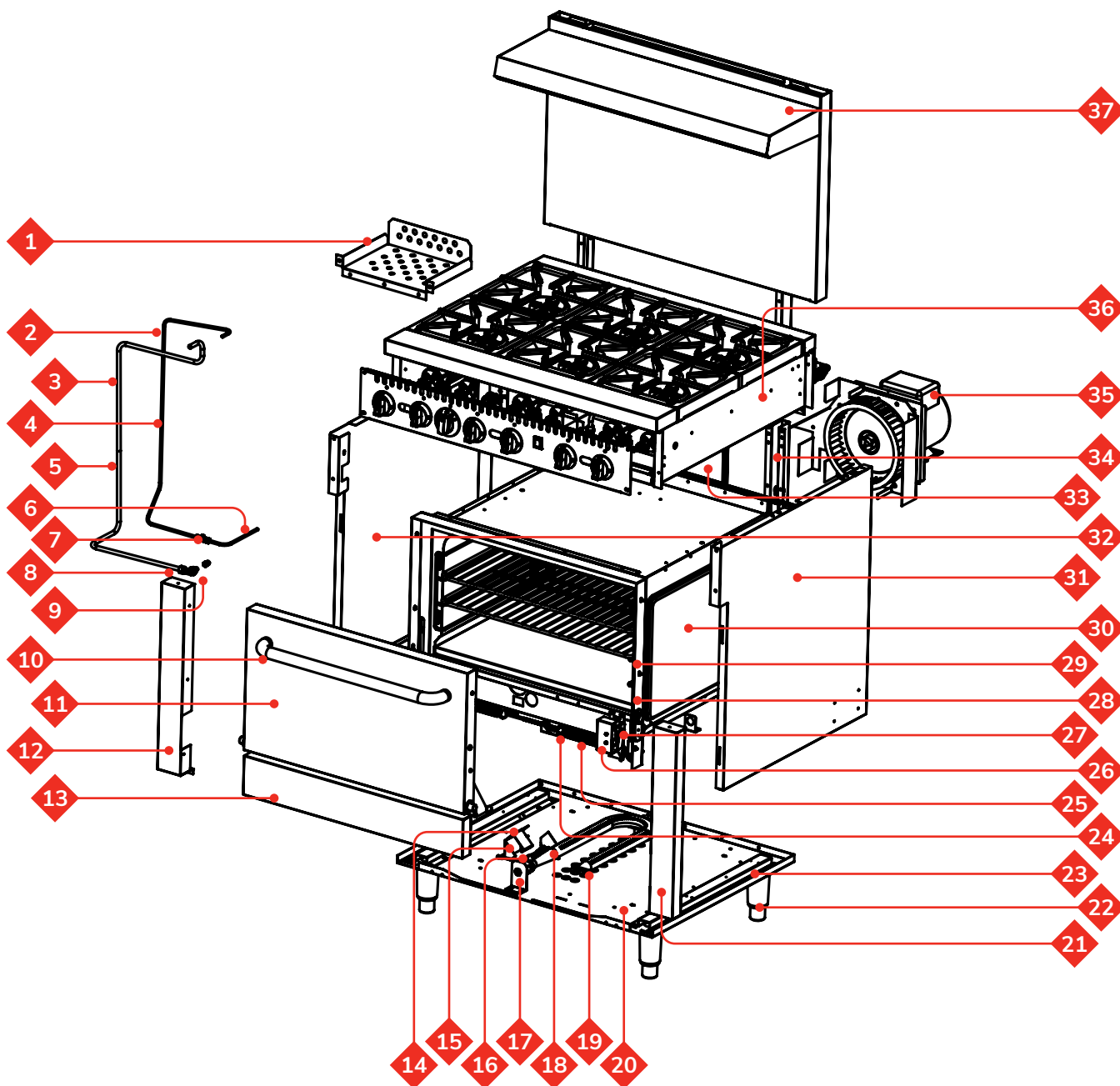
- Local codes regarding installation vary greatly from one area to another. The National Fire Protection Association, Inc., states in its NFPA96 latest edition that local codes are “Authority Having Jurisdiction” when it comes to requirement for installation of equipment. Therefore, installation should comply with all local codes.
- This product is intended for commercial use only. Not for residential use.

Gas Pressure

- The appliance and its individual shutoff valve (to be supplied by user) must be disconnected from the gas supply piping system during any pressure testing of that system at test pressures in excess of 1/2 PSI (3.45 kPa).
- The appliance must be isolated from the gas supply piping system by closing its individual manual shut-off valve during any pressure testing of the gas supply piping system at test pressures equal to or less than 1/2 PSI (3.45 kPa).

Parts Diagram

351CO36L & 351CO36N
MAIN BODY



Parts List

351CO36L & 351CO36N

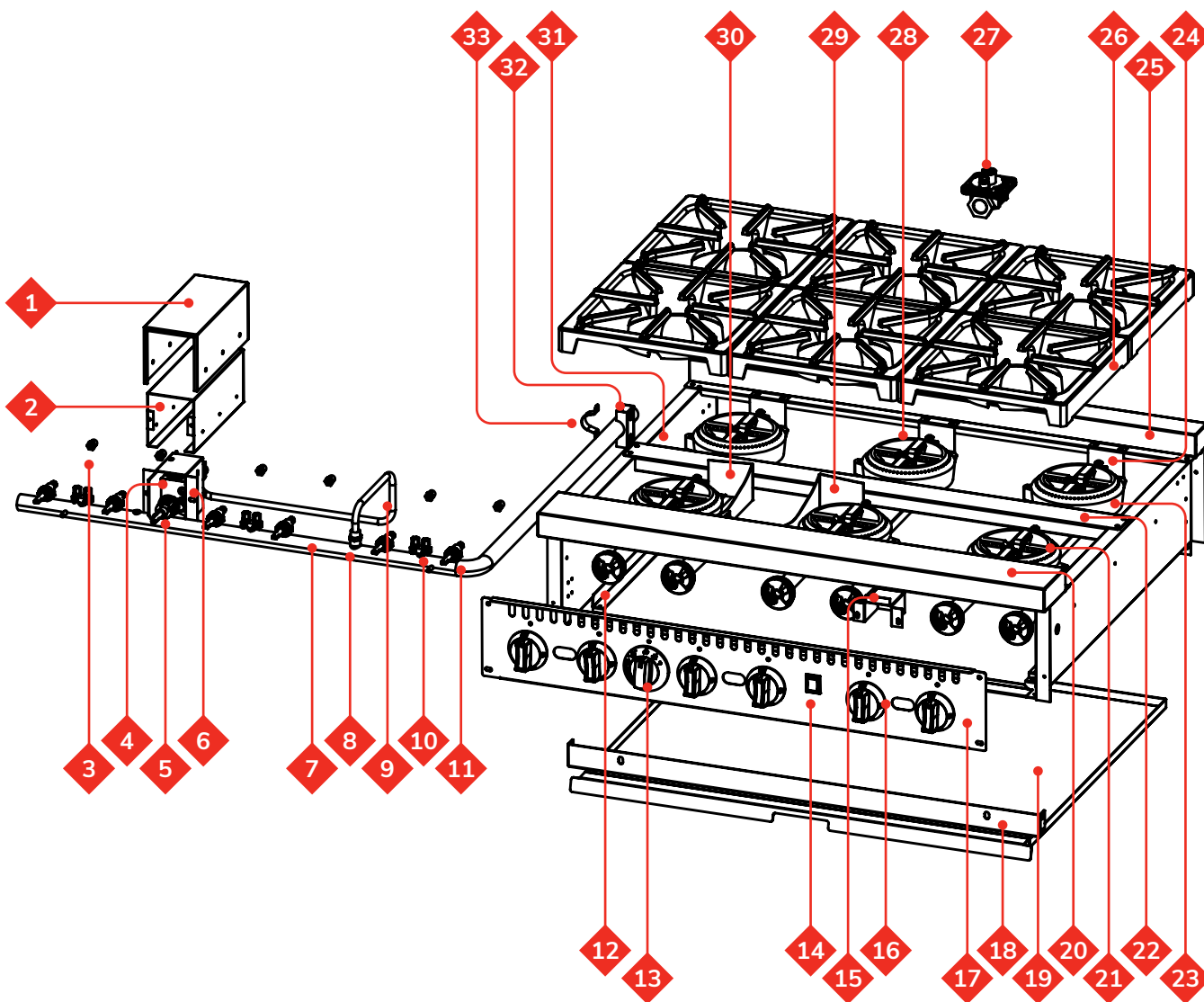
MAIN BODY

#	DESCRIPTION	ITEM #	QTY
1	Motor Support Plate	—	1
2	Upper Pilot Inlet Gas Pipe	—	1
3	Upper Main Inlet Gas Pipe	—	1
4	Lower A Pilot Inlet Gas Pipe	—	1
5	Lower Main Inlet Gas Pipe	—	1
6	Lower B Pilot Inlet Gas Pipe	—	1
7	Pilot Valve	351302220135	1
8	Nozzle Elbow	—	1
9A	Orifice #50 - Liquid Propane	351302150189	1
9B	Orifice #35 - Natural Gas	351302150342	1
10	Door Handle	351302070144	1
11	Oven Door	35128092006	1
12	Left Post	—	1
13	Kickplate	35128092026	1
14	Thermocouple Bracket	—	1
15	Thermocouple	351302170065	1
16	Pilot Fixed Plate	—	1
17	Elbow Holder	—	1
18A	Pilot - Liquid Propane	351302130447	1
18B	Pilot - Natural Gas	351302130427	1
19	Burner Griddle X2	351302130387	1
20	Bottom Plate	—	1
21	Right Post	—	1
22	Adjustable Leg W/O Plate	35102090149	4
23	Bottom Reinforce Plate	—	2
24	Spring Connector	—	1
25	Spring	—	2
26	Replacement Door Switch Cover	35128092039	1
27A	Oven Door Switch	351080175	1
27B	Door Switch Bracket	35128092036	1
27C	Door Switch Touchplate	35128092037	1
28	Door Shaft Fixed Plate	—	2
29	Frame	—	1
30	Oven Tank Assembly	—	1
31	Right Side Wall	—	1
32	Left Side Wall	—	1

#	DESCRIPTION	ITEM #	QTY
33	Inner Flue Assembly	—	1
34	Rear Baffle	—	2
35	Convection Oven Motor Assembly	3518092005	1
36	Top Burner Assembly	—	1
37	Back Panel Assembly	35128051006	1

Parts Diagram

351C036L & 351C036N
BURNER ASSEMBLY



Parts List

351CO36L & 351CO36N

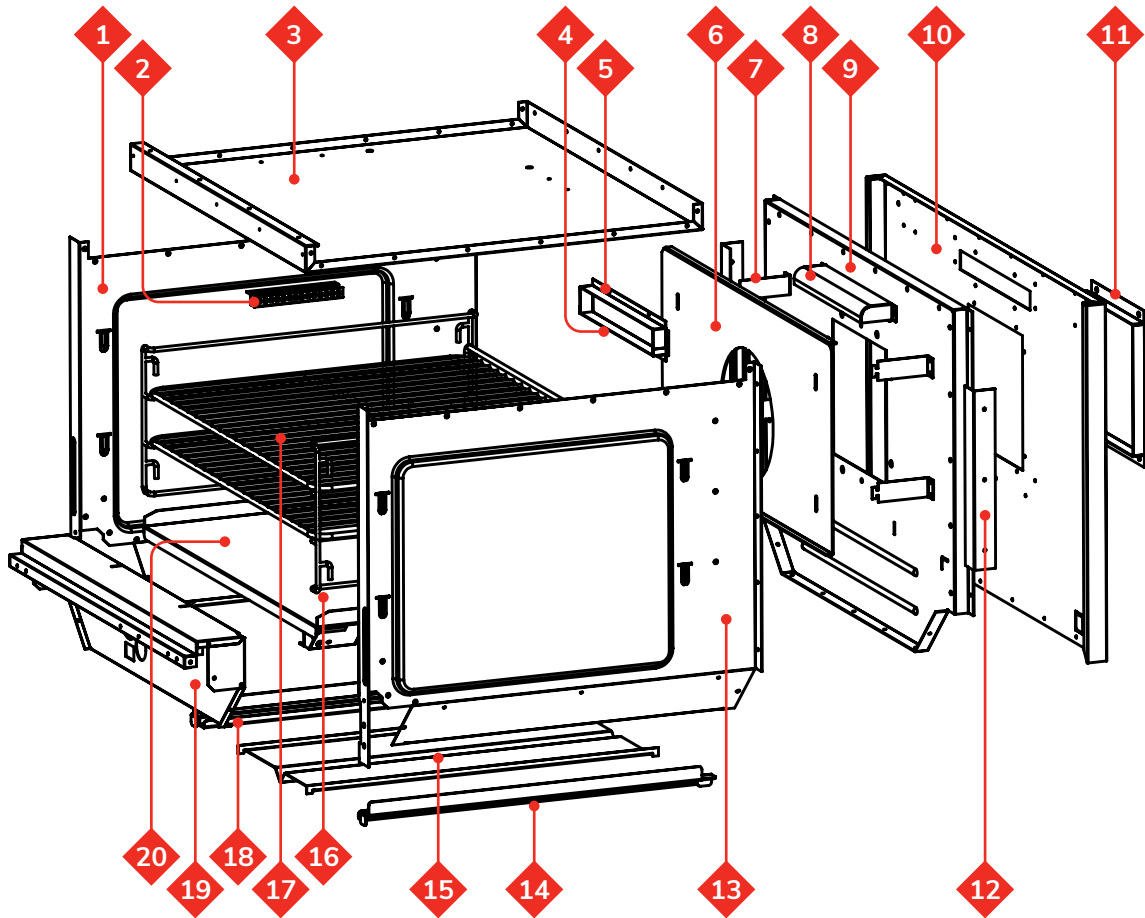
BURNER ASSEMBLY

#	DESCRIPTION	ITEM #	QTY
1	Fixed Plate - Gas Valve Insulation	—	1
2	Insulation Cover -Gas Valve	—	1
3A	Orifice #51- Liquid Propane	351302150190	6
3B	Orifice #36 - Natural Gas	351302150198	6
4	Gas Valve Switch Socket	—	1
5	Gas Valve	351302220132	1
6	Fixed Plate - Gas Valve Insulation Cover	—	1
7	Inlet Gas Pipe Assembly	—	1
8	Valve Connector	35102202343	3
9	Gas Pipe	—	1
10	Pilot Valve	351302220027	3
11	Stove Gas Valve	351302050051	6
12	Grease Tray Guide	—	2
13	Oven Knob	351301110555	1
14	Power Switch	351301080174	1
15	Motor Switch Box	—	1
16	Burner Knob	351202230111	6
17	Front Control Panel	—	1
18	Inlet Pipe Front Support Plate	—	1
19	Crumb Tray - 31.5"	35128092070	1
20	Counter Front Plate	—	1
21	Burner Assembly Short	351128051028	3
22	Burner Grate Support Plate	—	1
23	Burner Assembly Long	351128051027	3
24	Burner Bracket	—	3
25	Counter Rear Plate	—	1
26	Burner Grate	351302250132	6
27	Pressure Maintaining Valve	—	1
28	Stove Pilot	351302130019	6
29	Burner Insulation Plate 2	—	1
30	Burner Insulation Plate 1	—	1
31A	Range Pilot Pipe (Short)	351228046015	3
31B	Range Pilot Pipe (Long)	351228046016	3
32	Inlet Pipe Rear Support Plate	—	1
33	Pipe Clamp	—	1

Parts Diagram & List

351CO36L & 351CO36N

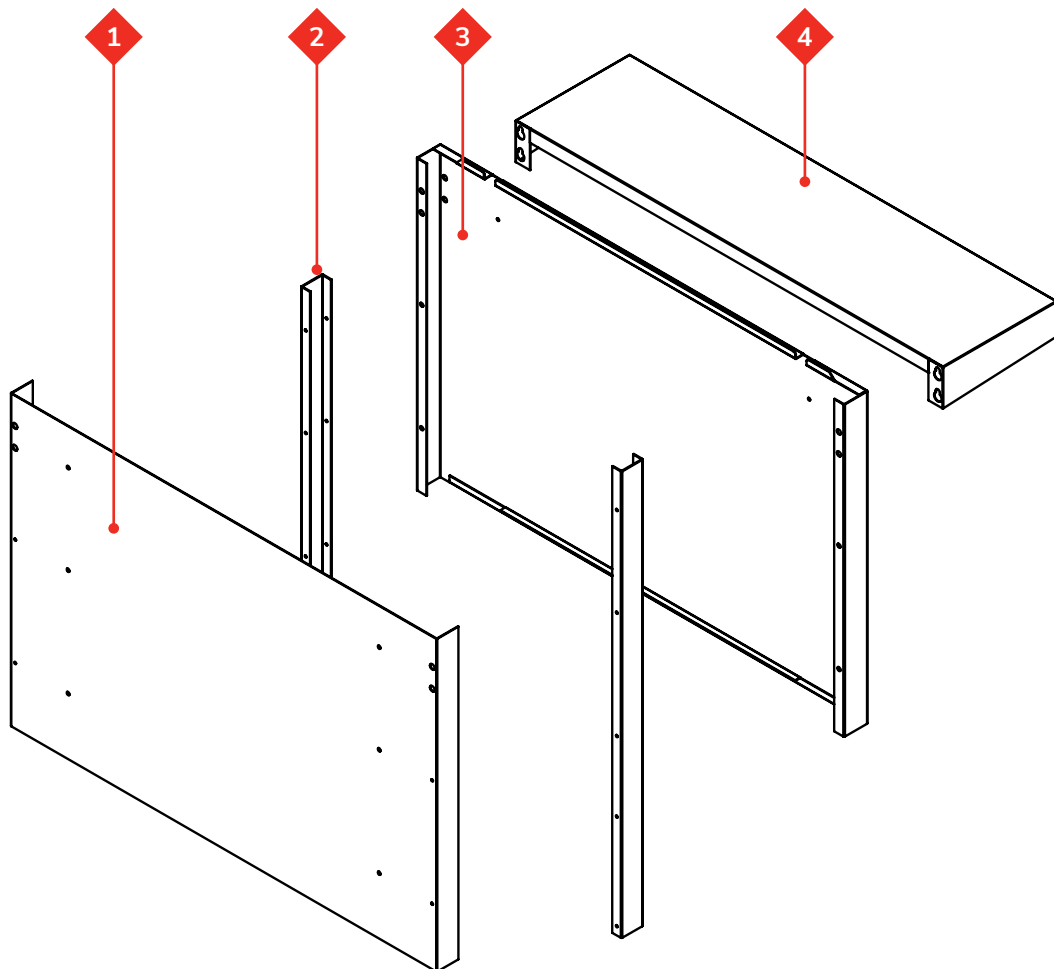
OVEN CHAMBER ASSEMBLY



#	DESCRIPTION	ITEM #	QTY	#	DESCRIPTION	ITEM #	QTY
1	Left Plate	—	1	11	Motor Support Plate	35128092016	4
2	Fixed Sensor Plate	351314490021	1	12	Chamber Support Plate	—	2
3	Top Plate	—	1	13	Right Plate	—	1
4	Flue Insulation A	—	1	14	Bottom Right Limit Plate	—	1
5	Flue Insulation B	—	1	15	Bottom Reinforce Plate	—	1
6	Hot Air Chamber	—	1	16	Rack Guide	351302110804	1
7	Chamber Fixed Plate	—	4	17	Oven Rack	351302110803	2
8	Flue Guide Cover	—	1	18	Bottom Left Limit Plate	—	2
9	Rear Plate	—	1	19	Lower Front Plate	—	1
10	Rear Shrouding Assembly	—	1	20	Bottom Plate	—	1

Parts Diagram & List

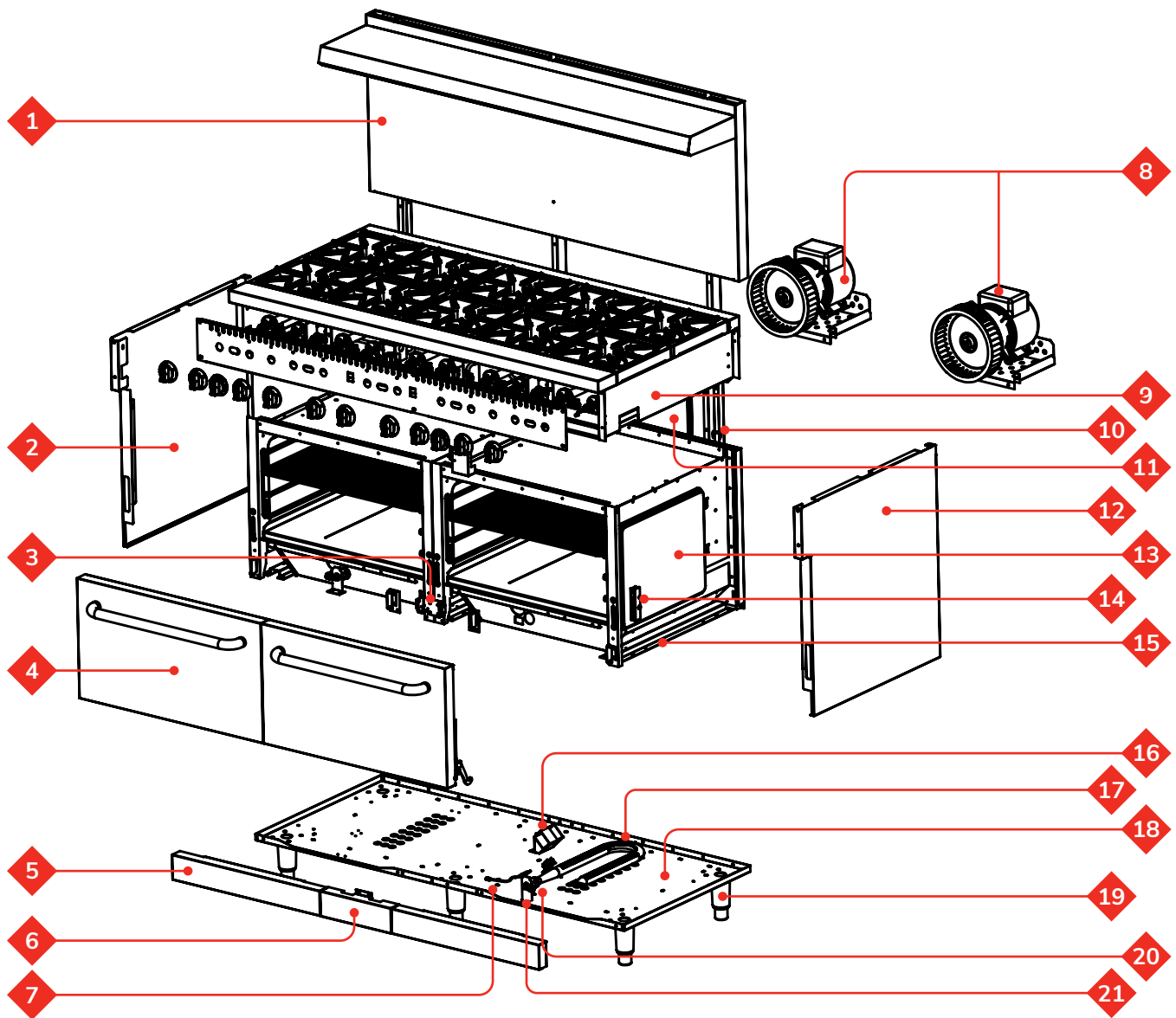
351C036L & 351C036N
REAR PLATE ASSEMBLY



#	DESCRIPTION	ITEM #	QTY
1	Back Rear Panel	—	1
2	Back Support Panel	35128051040	2
3	Back Front Panel	—	1
4	Decorative Cover	—	1

Parts Diagram

351CC60L & 351CC60N
MAIN BODY



Parts List

351CC60L & 351CC60N

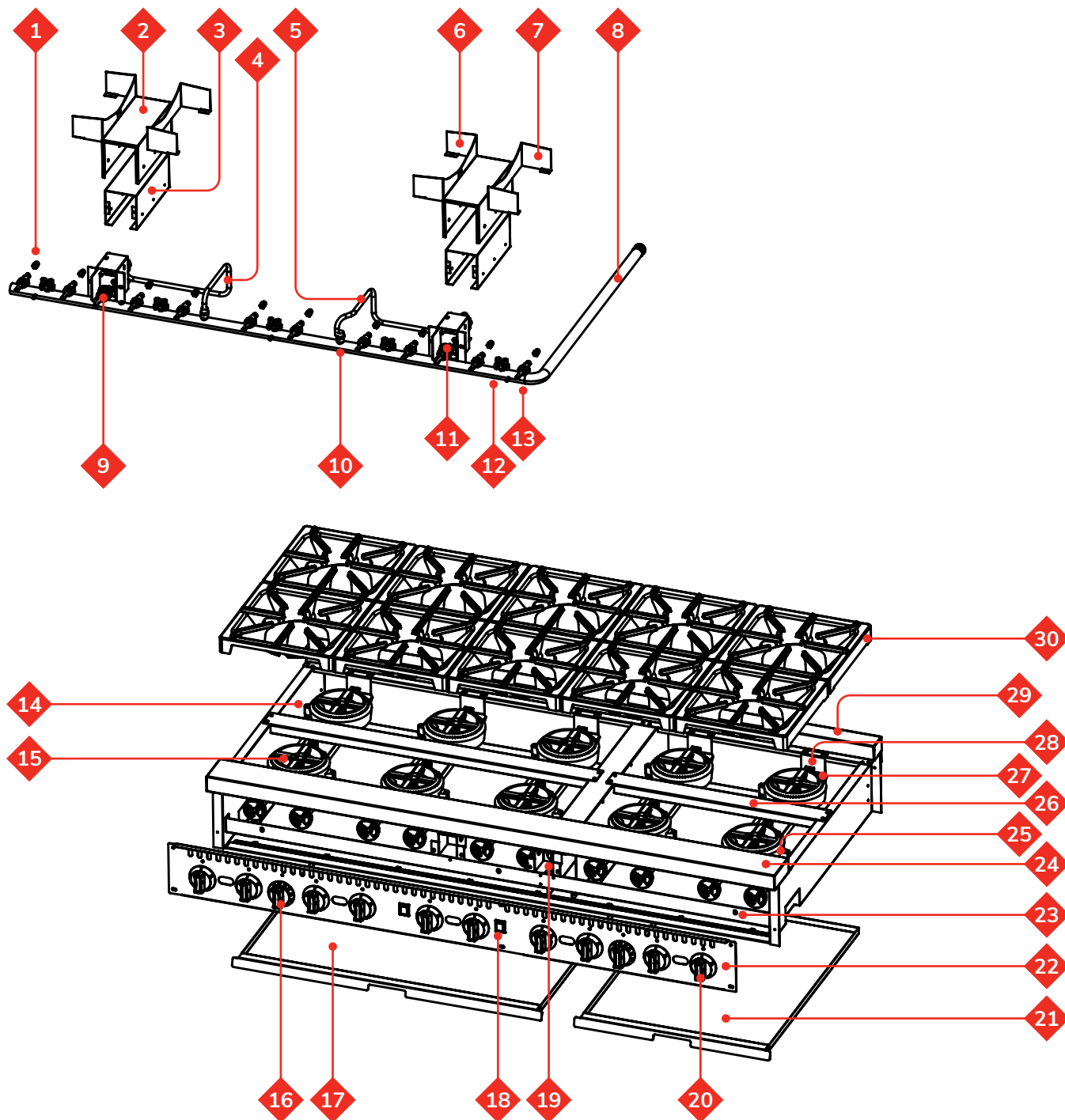
MAIN BODY

#	DESCRIPTION	ITEM #	QTY
1	Back Panel Assembly	—	1
2	Left Side Wall	—	1
3	Door Switch	351080079	2
4A	Left Door Assembly	35128100012	1
4B	Right Door Assembly	35128100013	1
5	Lower Front Beam Slab	—	2
6	Micro Switch Cover	—	1
7	Thermocouple	351302170065	2
8	Motor Assembly	3518092005	1
9	Top Burner Assembly	—	1
10	Slide Rail - Rear Baffle	—	3
11	Inner Flue Assembly	—	2
12	Right Side Wall	—	1
13	Oven Tank Assembly	—	2
14	Seat Door Hinge	351302190429	2
15	Bottom Reinforce Plate	—	3
16	Pilot Cover	—	1
17	Burner Tube	351302130387	1
18	Bottom Plate	—	1
19	Adjustable Leg	35102090149	6
20A	Pilot - Liquid Propane	351302130447	1
20B	Pilot - Natural Gas	351302130427	1
21	Elbow	—	2

Parts Diagram

351CC60L & 351CC60N

BURNER ASSEMBLY



Parts List

351CC60L & 351CC60N

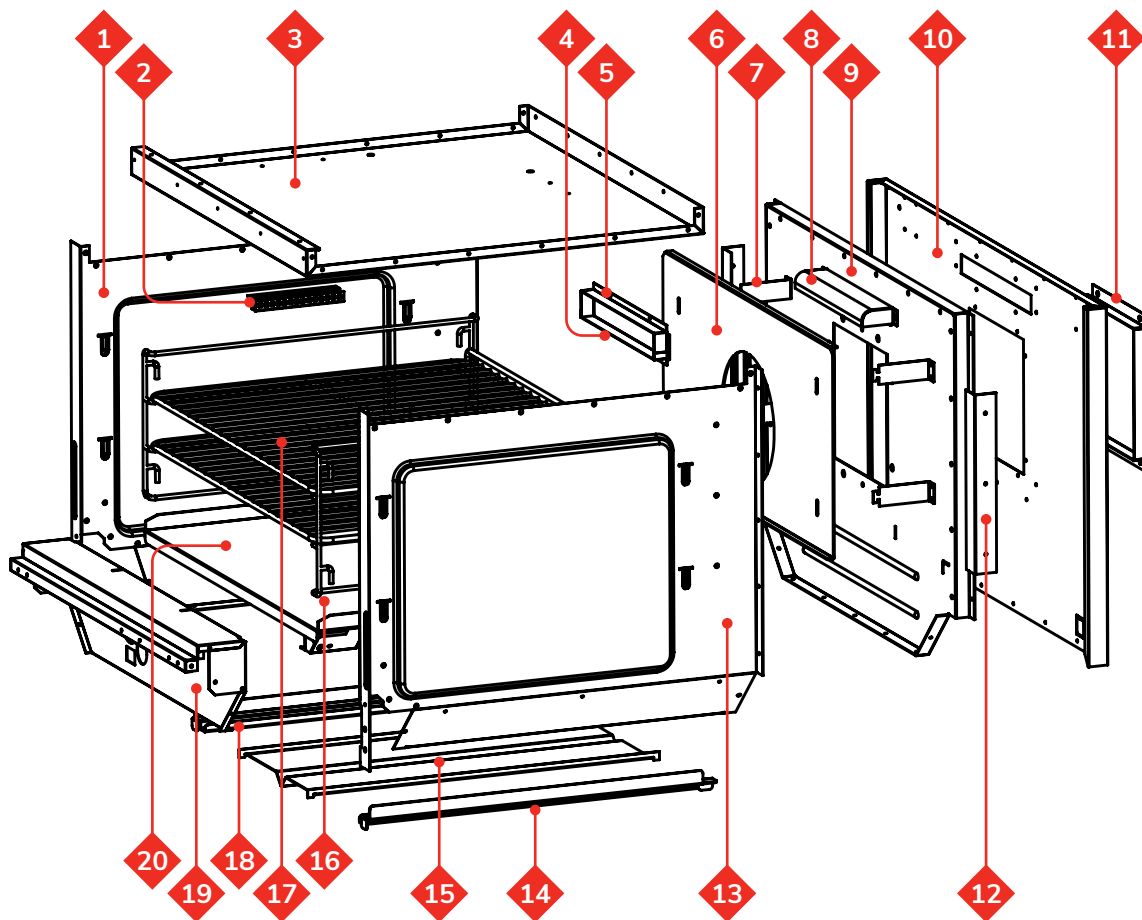
BURNER ASSEMBLY

#	DESCRIPTION	ITEM #	QTY
1A	Orifice #51- Liquid Propane	351302150190	10
1B	Orifice #36 - Natural Gas	351302150198	10
2	Fixed Plate - Gas Valve Insulation	—	2
3	Insulation Cover - Gas Valve	—	2
4	Gas Pipe 2	—	1
5	Gas Pipe 1	—	1
6	Burner Insulation Plate 1	—	2
7	Burner Insulation Plate 2	—	2
8	Inlet Gas Pipe Assembly	—	1
9	Gas Valve	351302220132	2
10	Valve Connector	35102202343	2
11	Fixed Plate - Gas Valve Insulation Cover	—	2
12	Pilot Valve	351302220027	5
13	Stove Gas Valve	351302050051	10
14A	Range Pilot Pipe (Short)	351228046015	5
14B	Range Pilot Pipe (Long)	351228046016	5
15	Stove Pilot	351302130019	10
16	Oven Knob	351301110555	2
17	Crumb Tray - 31.5"	35128092070	1
18	Power Switch	351301080174	1
19	Motor Switch Box	—	1
20	Burner Knob	351202230111	10
21	Crumb Tray - 20.5"	35128100032	1
22	Front Control Panel	—	1
23	Inlet Pipe Front Support Plate	—	1
24	Counter Front Plate	—	1
25	Burner Assembly Short	351128051028	5
26	Burner Grate Support Plate	—	1
27	Burner Assembly Long	351128051027	5
28	Burner Bracket	—	3
29	Counter Rear Plate	—	1
30	Burner Grate	351302250132	10

Parts Diagram & List

351CC60L & 351CC60N

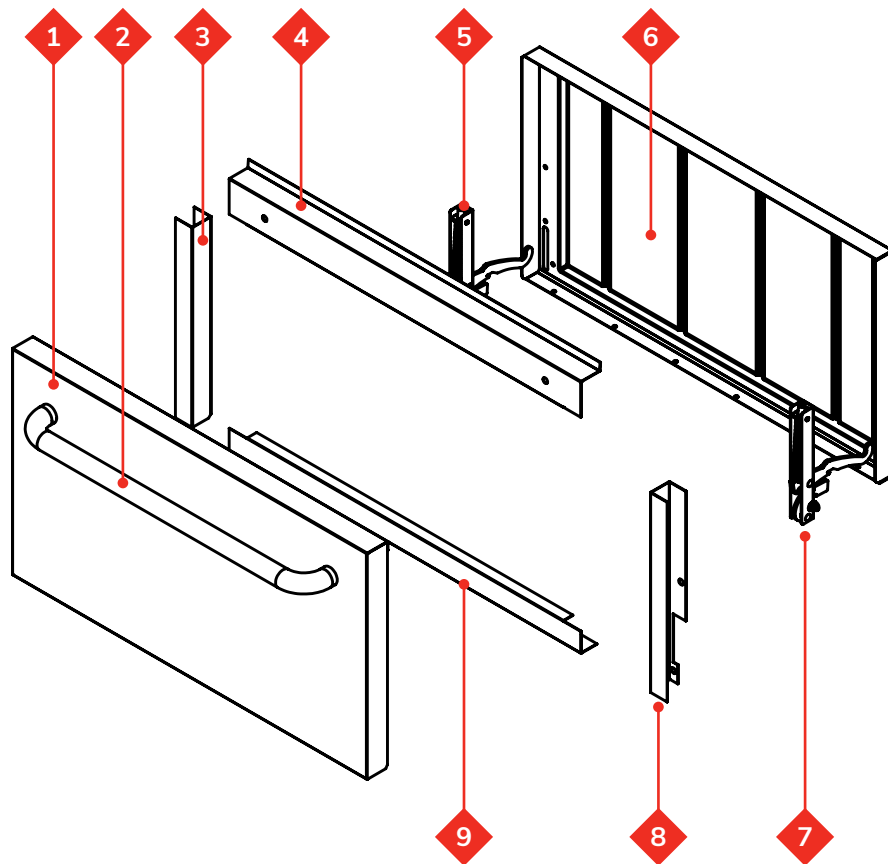
OVEN CHAMBER ASSEMBLY



#	DESCRIPTION	ITEM #	QTY	#	DESCRIPTION	ITEM #	QTY
1	Left Plate	—	1	11	Motor Support Plate	35128092016	4
2	Fixed Sensor Plate	351314490021	1	12	Chamber Support Plate	—	2
3	Top Plate	—	1	13	Right Plate	—	1
4	Flue Insulation A	—	1	14	Bottom Right Limit Plate	—	1
5	Flue Insulation B	—	1	15	Bottom Reinforce Plate	—	1
6	Hot Air Chamber	—	1	16	Rack Guide	351302110804	1
7	Chamber Fixed Plate	—	4	17	Oven Rack	351302110803	2
8	Flue Guide Cover	—	1	18	Bottom Left Limit Plate	—	2
9	Rear Plate	—	1	19	Lower Front Plate	—	1
10	Rear Shrouding Assembly	—	1	20	Bottom Plate	—	1

Parts Diagram & List

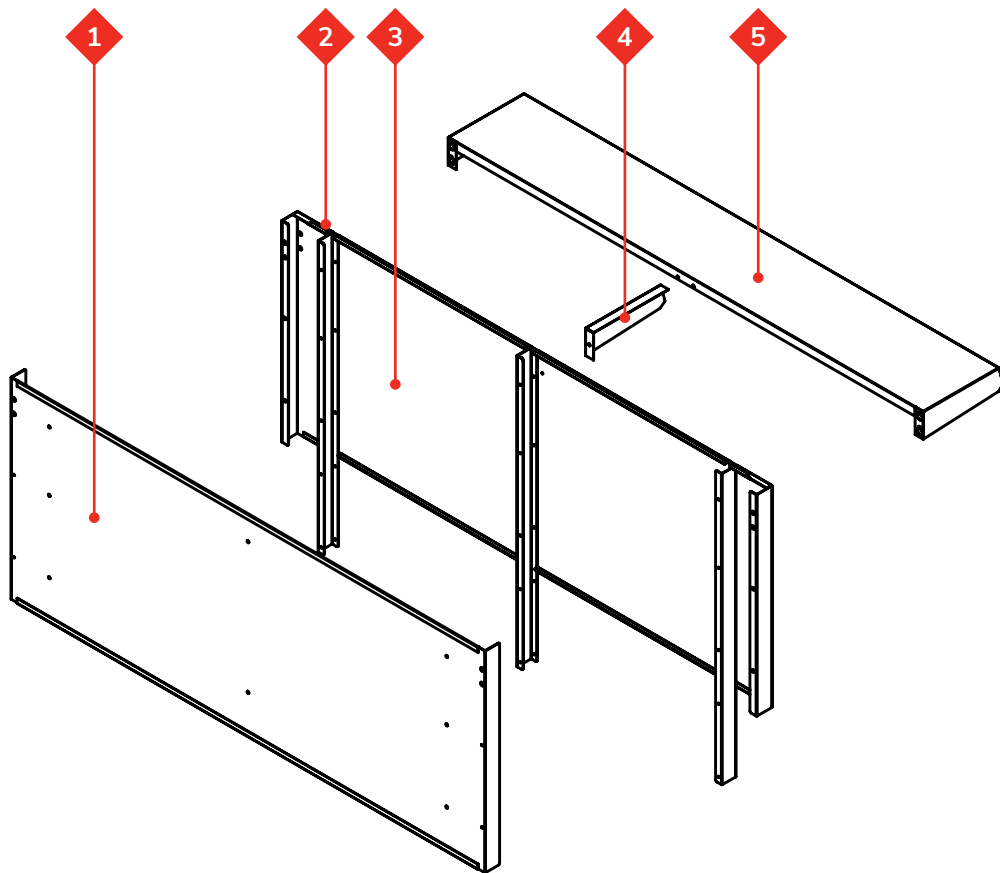
351CC60L & 351CC60N
OVEN DOOR ASSEMBLY



#	DESCRIPTION	ITEM #	QTY
1	Door Outside Plate	—	1
2	Door Handle	351302070144	1
3	Oven Door Left Support	—	1
4	Oven Door Top Support	—	1
5	Left Door Hinge	351302190430	1
6	Door Inner Plate	—	1
7	Right Door Hinge	351302190428	1
8	Oven Door Right Support	—	1
9	Oven Door Bottom Support	—	1

Parts Diagram & List

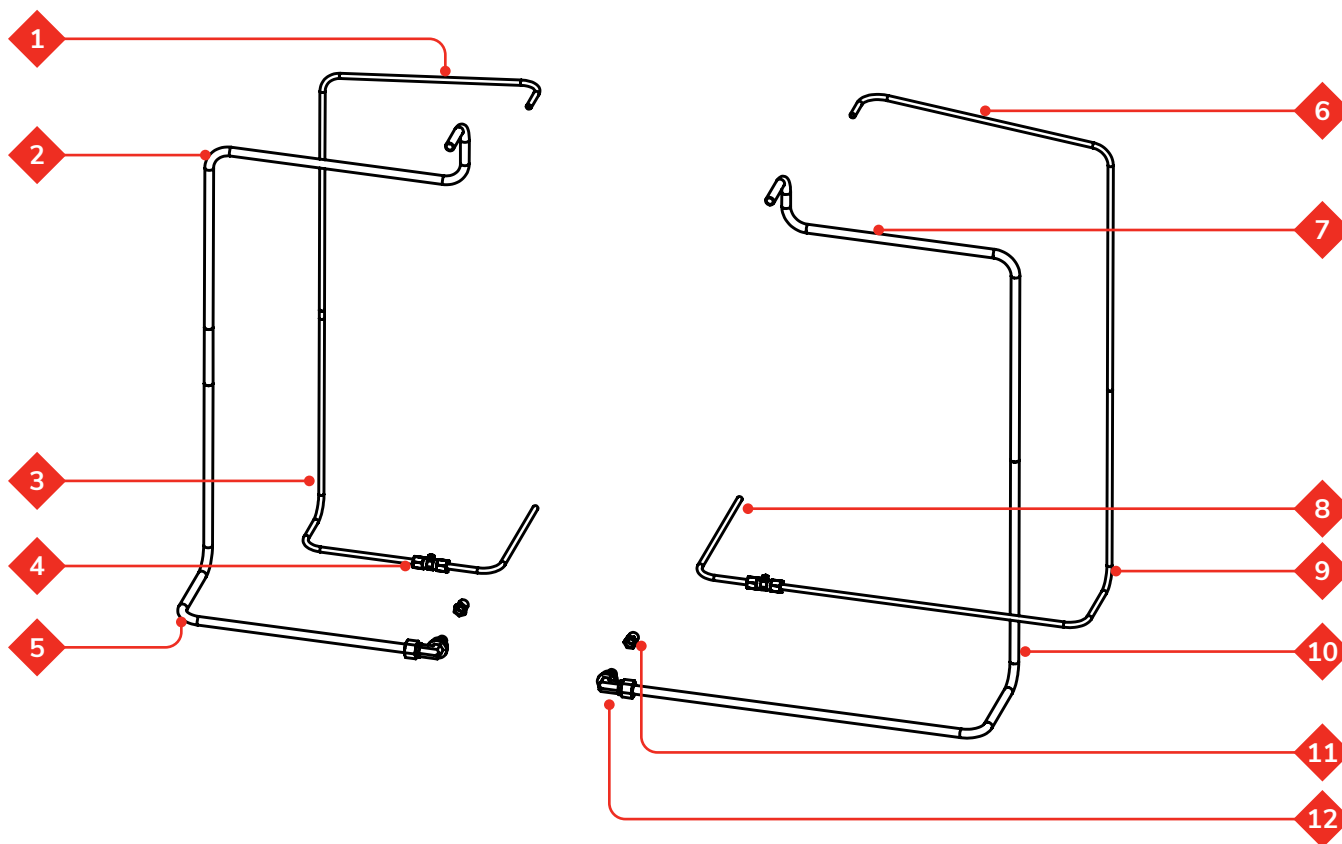
351CC60L & 351CC60N
REAR PLATE ASSEMBLY



#	DESCRIPTION	ITEM #	QTY
1	Back Rear Panel	—	1
2	Panel Back Support	35128051040	3
3	Back Front Panel	—	1
4	Cover Support	—	1
5	Backsplash Shelf	35128059018	1

Parts Diagram & List

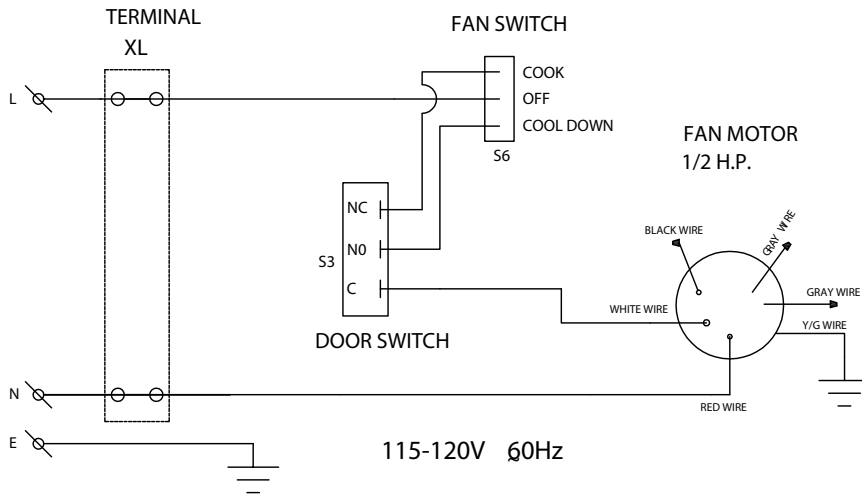
351CC60L & 351CC60N
GAS PIPE ASSEMBLY



#	DESCRIPTION	ITEM #	QTY
1	Pilot Inlet Gas Pipe (Upper Left Side)	—	1
2	Main Inlet Gas Pipe (Upper Left Side)	—	1
3	Pilot Inlet Gas Pipe (Lower Left Side 1)	—	1
4	Pilot Valve	351302220135	2
5	Main Inlet Gas Pipe (Lower Left Side)	—	1
6	Pilot Inlet Gas Pipe (Upper Right Side)	—	1
7	Main Inlet Gas Pipe (Upper Right Side)	—	1
8	Pilot Inlet Gas Pipe (Lower Left Side 2)	—	2
9	Pilot Inlet Gas Pipe (Lower Right Side)	—	1
10	Main Inlet Gas Pipe (Lower Right Side)	—	1
11A	Orifice #35 - Natural Gas	351302150342	2
11B	Orifice #50 - Liquid Propane	351302150189	2
12	Nozzle Elbow	—	2

Circuit Diagrams

351CO36L & 351CO36N



351CC60L & 351CC60N

