

Gas Countertop Griddles

Manual & Thermostatic



351GMCPG15NL, 351GMCPG24NL, 351GMCPG36NL, 351GMCPG48NL, 351GMCPG60NL,
351GMCPG72NL, 351GTCPG15NL, 351GTCPG24NL, 351GTCPG36NL, 351GTCPG48NL,
351GTCPG60NL, 351GTCPG72NL

REVISED 07/2023

Congratulations on your purchase of Cooking Performance Group commercial cooking equipment! At Cooking Performance Group, we take pride in the design, innovation, and quality of our products. To ensure optimal performance, we have outlined the following instructions and guidelines in this manual carefully for your review. Cooking Performance Group declines any responsibility in the event users do not follow the instructions or guidelines stated here.

Contents

| | |
|--|-----|
| Safety Precautions | 3 |
| 351GMCPG15NL–351GMCPG72NL Parts List & Diagram | 4–5 |
| 351GTCPG15NL–351GTCPG72NL Parts List & Diagram | 6–8 |



Conforms to ANSI STD Z83.11b-2009 (R2011)
Conforms to CSA STD 1.8b-2009 (R2011)
NSF Tested by ETL

Safety Precautions

CAUTION:

Failure to comply with the following operation instructions could lead to potential hazards and/or unsafe practice and could result in injury and damage to product and property.

NOTICE:

- Local codes regarding installation vary greatly from one area to another. The National Fire Protection Association, Inc. states in its NFPA96 latest edition that local codes are “Authority Having Jurisdiction” when it comes to requirement for installation of equipment. Therefore, installation should comply with all local codes.
- This product is intended for commercial use only. Not for residential use.

WARNING:

- Do not store or use gasoline or other flammable vapors and liquids in the vicinity of this or any other equipment.
- Improper installation, adjustment, alteration, service, or maintenance could lead to property damage, injury, or death. Read the installation, operating, and maintenance instructions thoroughly before installing or servicing CPG equipment. This manual must be retained for future reference.
- A factory authorized agent must handle all maintenance and repair.

GAS PRESSURE:

The appliance and its individual shutoff valve (to be supplied by user) must be disconnected from the gas supply piping system during any pressure testing of that system at test pressures in excess of ½ PSI (3.45 kPa). The appliance must be isolated from the gas supply piping system by closing its individual manual shut-off valve during any pressure testing of the gas supply piping system at test pressures equal to or less than ½ PSI (3.45 kPa).

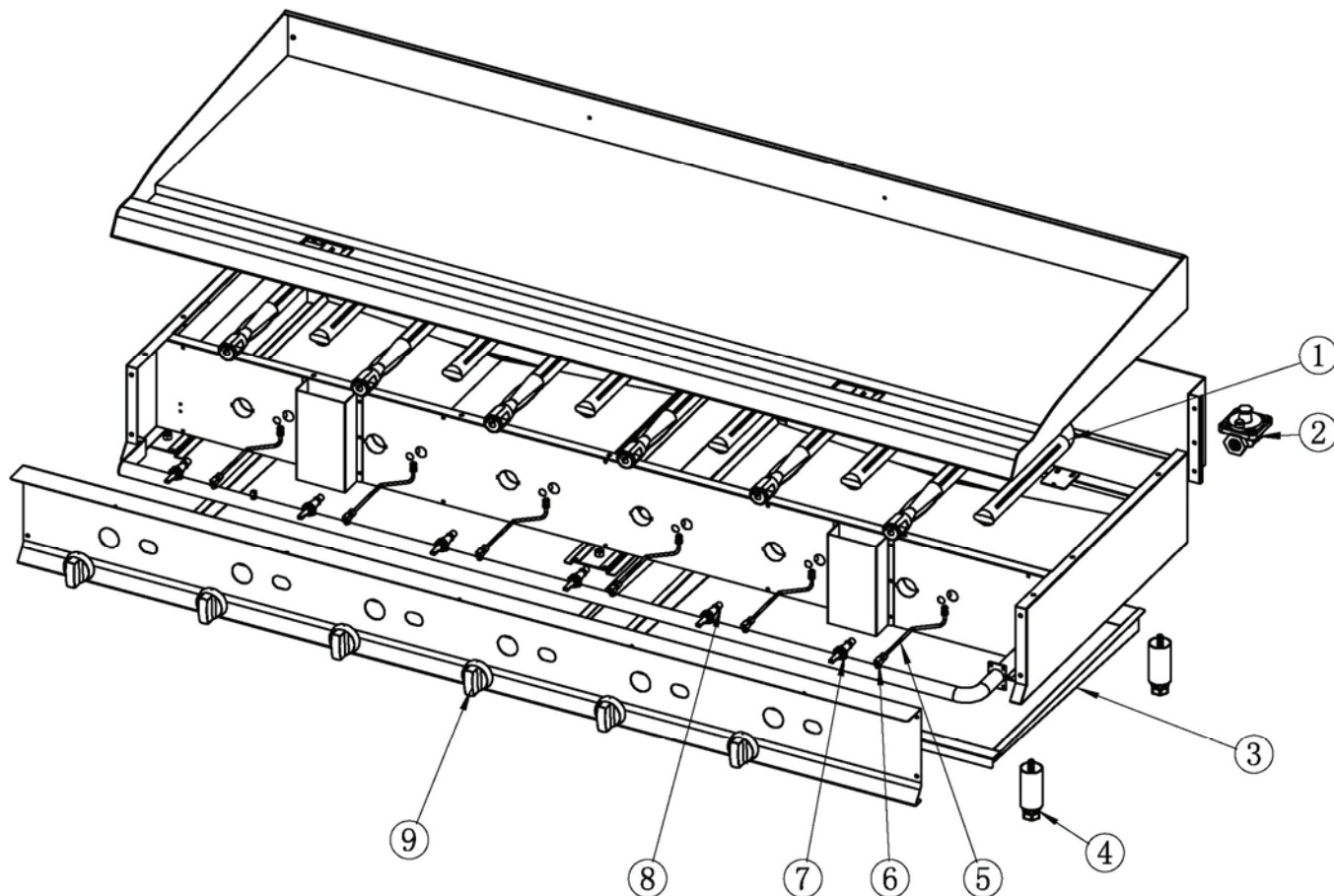
Parts Manual



| Key | Item Number | Qty | Description |
|-----|--------------|-----|--|
| 1 | 351GMCPG15 | 1 | Burner 3511470672 |
| | 351GMCPG24 | 2 | |
| | 351GMCPG36 | 3 | |
| | 351GMCPG48 | 4 | |
| | 351GMCPG60NL | 5 | |
| | 351GMCPG72NL | 6 | |
| 2 | 351GMCPG15 | 1 | Regulator 3511069501 |
| | 351GMCPG24 | 1 | |
| | 351GMCPG36 | 1 | |
| | 351GMCPG48 | 1 | |
| | 351GMCPG60NL | 1 | |
| | 351GMCPG72NL | 1 | |
| 3 | 351GMCPG15 | 1 | Grease Tray 3511029395(15") 3511029318(24"&48") 3511029365(36") 3511030891(60") 3511030870(72") |
| | 351GMCPG24 | 1 | |
| | 351GMCPG36 | 1 | |
| | 351GMCPG48 | 1 | |
| | 351GMCPG60NL | 2 | |
| | 351GMCPG72NL | 2 | |
| 4 | 351GMCPG15 | 4 | Foot 3511005373 |
| | 351GMCPG24 | 4 | |
| | 351GMCPG36 | 4 | |
| | 351GMCPG48 | 4 | |
| | 351GMCPG60NL | 6 | |
| | 351GMCPG72NL | 6 | |
| 5 | 351GMCPG15 | 1 | Pilot Pipe 3511472152 |
| | 351GMCPG24 | 2 | |
| | 351GMCPG36 | 3 | |
| | 351GMCPG48 | 4 | |
| | 351GMCPG60NL | 5 | |
| | 351GMCPG72NL | 6 | |
| 6 | 351GMCPG15 | 1 | Pilot Valve 3511068509 |
| | 351GMCPG24 | 2 | |
| | 351GMCPG36 | 3 | |
| | 351GMCPG48 | 4 | |
| | 351GMCPG60NL | 5 | |
| | 351GMCPG72NL | 6 | |
| 7 | 351GMCPG15 | 1 | Valve 3511068502 |
| | 351GMCPG24 | 2 | |
| | 351GMCPG36 | 3 | |
| | 351GMCPG48 | 4 | |
| | 351GMCPG60NL | 5 | |
| | 351GMCPG72NL | 6 | |

Parts Manual

| Key | Item Number | Qty | Description |
|-----|------------------|-----|-----------------------|
| | 351GMCPG15-NAT | 1 | |
| | 351GMCPG24-NAT | 2 | |
| | 351GMCPG36-NAT | 3 | |
| | 351GMCPG48-NAT | 4 | |
| | 351GMCPG60NL-NAT | 5 | Orifice 3511068641 |
| | 351GMCPG72NL-NAT | 6 | |
| 8 | | | |
| | 351GMCPG15-LPG | 1 | |
| | 351GMCPG24-LPG | 2 | Orifice 3511068651 |
| | 351GMCPG36-LPG | 3 | |
| | 351GMCPG48-LPG | 4 | |
| | 351GMCPG60NL-LPG | 5 | |
| | 351GMCPG72NL-LPG | 6 | |
| 9 | | | |
| | 351GMCPG15 | 1 | |
| | 351GMCPG24 | 2 | |
| | 351GMCPG36 | 2 | Dial 3511473191 |
| | 351GMCPG48 | 3 | |
| | 351GMCPG60NL | | |
| | 351GMCPG72NL | | |



Parts Manual



| Key | Item Number | Qty | Description |
|-----|------------------|-----|--|
| 1 | 351GTCPG15 | 1 | Burner 3511470672 |
| | 351GTCPG24 | 2 | |
| | 351GTCPG36 | 3 | |
| | 351GTCPG48 | 4 | |
| | 351GTCPG60NL | 5 | |
| | 351GTCPG72NL | 6 | |
| 2 | 351GTCPG15 | 1 | Regulator 3511069501 |
| | 351GTCPG24 | 1 | |
| | 351GTCPG36 | 1 | |
| | 351GTCPG48 | 1 | |
| | 351GTCPG60NL | 1 | |
| | 351GTCPG72NL | 1 | |
| 3 | 351GTCPG15 | 1 | Pilot w/Thermocouple (Not Including Injector) 3511069542 |
| | 351GTCPG24 | 2 | |
| | 351GTCPG36 | 3 | |
| | 351GTCPG48 | 4 | |
| | 351GTCPG60NL | 5 | |
| | 351GTCPG72NL | 6 | |
| 4 | 351GTCPG15-NAT | 1 | Ods Injector - 0.35 3511068708 |
| | 351GTCPG24-NAT | 2 | |
| | 351GTCPG36-NAT | 3 | |
| | 351GTCPG48-NAT | 4 | |
| | 351GTCPG60NL-NAT | 5 | |
| | 351GTCPG72NL-NAT | 6 | |
| | 351GTCPG15-LPG | 1 | Ods Injector - 0.20 3511068546 |
| | 351GTCPG24-LPG | 2 | |
| | 351GTCPG36-LPG | 3 | |
| | 351GTCPG48-LPG | 4 | |
| | 351GTCPG60NL-LPG | 5 | |
| | 351GTCPG72NL-LPG | 6 | |
| 5 | 351GTCPG15 | 1 | Grease Tray 3511029395(15") 3511029318(24"&48") 3511029365(36") 3511030891(60") 3511030870(72") |
| | 351GTCPG24 | 1 | |
| | 351GTCPG36 | 1 | |
| | 351GTCPG48 | 1 | |
| | 351GTCPG60NL | 2 | |
| | 351GTCPG72NL | 2 | |
| 6 | 351GTCPG15 | 4 | Foot 3511005373 |
| | 351GTCPG24 | 4 | |
| | 351GTCPG36 | 4 | |
| | 351GTCPG48 | 4 | |
| | 351GTCPG60NL | 6 | |
| | 351GTCPG72NL | 6 | |

Parts Manual



| Key | Item Number | Qty | Description |
|-----|------------------|-----|----------------------------------|
| 7 | 351GTCPG15 | 1 | Thermostat Valve 3511068510 |
| | 351GTCPG24 | 2 | |
| | 351GTCPG36 | 3 | |
| | 351GTCPG48 | 4 | |
| | 351GTCPG60NL | 5 | |
| | 351GTCPG72NL | 6 | |
| 8 | 351GTCPG15 | 1 | Main Pipe Assy. 3511472204 |
| | 351GTCPG24 | 2 | |
| | 351GTCPG36 | 3 | |
| | 351GTCPG48 | 4 | |
| | 351GTCPG60NL | 5 | |
| | 351GTCPG72NL | 6 | |
| 9 | 351GTCPG15 | 1 | Pilot Pipe Assy. 3511472205 |
| | 351GTCPG24 | 2 | |
| | 351GTCPG36 | 3 | |
| | 351GTCPG48 | 4 | |
| | 351GTCPG60NL | 5 | |
| | 351GTCPG72NL | 6 | |
| 10 | 351GTCPG15-NAT | 1 | Orifice 3511068641 |
| | 351GTCPG24-NAT | 2 | |
| | 351GTCPG36-NAT | 3 | |
| | 351GTCPG48-NAT | 4 | |
| | 351GTCPG60NL-NAT | 5 | |
| | 351GTCPG72NL-NAT | 6 | |
| | 351GTCPG15-LPG | 1 | Orifice 3511068651 |
| | 351GTCPG24-LPG | 2 | |
| | 351GTCPG36-LPG | 3 | |
| | 351GTCPG48-LPG | 4 | |
| | 351GTCPG60NL-LPG | 5 | |
| | 351GTCPG72NL-LPG | 6 | |
| 11 | 351GTCPG15 | 1 | Dial 3511473191 |
| | 351GTCPG24 | 2 | |
| | 351GTCPG36 | 3 | |
| | 351GTCPG48 | 4 | |
| | 351GTCPG60NL | 5 | |
| | 351GTCPG72NL | 6 | |
| 12 | 351GTCPG15 | 1 | Orifice Connection 3511067404 |
| | 351GTCPG24 | 2 | |
| | 351GTCPG36 | 3 | |
| | 351GTCPG48 | 4 | |
| | 351GTCPG60NL | 5 | |
| | 351GTCPG72NL | 6 | |

