

# Parts Manual

351FEC100(B/C/D/E) | 351FEC200(B/C/D/E)K



## Electric Convection Ovens



11/2021

# Parts Manual

351FEC100(B/C/D/E) | 351FEC200(B/C/D/E)K



## Contents

Safety Precautions .....	3
Whole Assembly Parts List .....	4
Whole Assembly Diagram .....	5
Motor Assembly Parts List .....	6
Motor Assembly Diagram .....	7
Right Side Assembly Parts List .....	8
Right Side Assembly Diagram .....	9
Control Panel Parts List .....	10
Control Panel Diagram .....	10

# Parts Manual

351FEC100(B/C/D/E) | 351FEC200(B/C/D/E)K



## Safety Precautions

### CAUTION:

- Failure to comply with the following operation instructions could lead to potential hazards and/or unsafe practice and could result in injury and damage to product and property

### NOTICE:

- Local codes regarding installation vary greatly from one area to another. The National Fire Protection Association, Inc., states in its NFPA96 latest edition that local codes are "Authority Having Jurisdiction" when it comes to requirement for installation of equipment. Therefore, installation should comply with all local codes.
- This product is intended for commercial use only. Not for residential use.

### WARNING:

- Do not store or use gasoline or other flammable vapors and liquids in the vicinity of this or any other equipment.
- Improper installation, adjustment, alteration, service or maintenance could lead to property damage, injury or death. Read the installation, operating and maintenance instructions thoroughly before installing or servicing CPG equipment. This manual must be retained for future reference.
- A factory authorized agent must handle all maintenance and repair.
- Ensure that the oven has been safely disconnected from the power supply before performing any form of maintenance or replacing any parts.

# Parts Manual

351FEC100(B/C/D/E) | 351FEC200(B/C/D/E)K



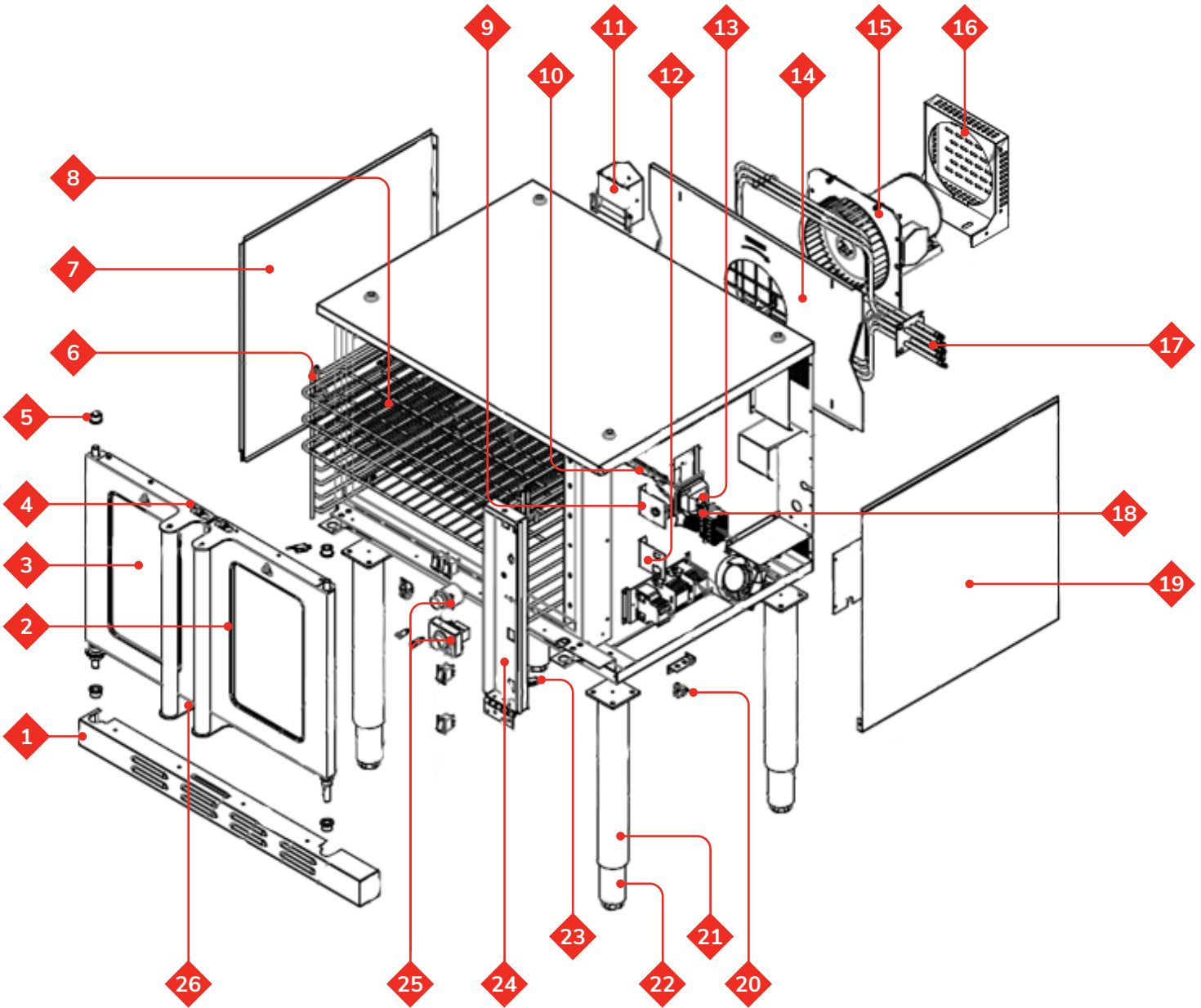
## Whole Assembly

Part #	CPG Item #	Description	QTY
1	-	Lower Front Cover Plate	1
2	35165002053	Right Door Assembly	1
3	35165002054	Left Door Assembly	1
4	35165002016	Door Latch/Stopper	2
5	351201928	Door Shaft Bushing	4
6	351110577	Rack Guide	2
7	-	Left Side Panel	1
8	351110578	Oven Rack	3
9	-	Fixed Plate Thermostat Cover	1
10	351170022	Thermocouple	1
11	-	Flue	1
12	-	Cable Clip Fixed Plate	1
13 (B)	-	Right Side Assembly	1
14	35165002009	Fan Cover	1
15 (A)	-	Motor Assembly	1
16	-	Motor Cover Assembly	1
17a	351041024	230V Heating Element - D/E	1
17b	351041056	208V Heating Element - B/C	1
18	351130109	Oven Light	1
19	-	Right Side Panel	1
20	351080026	Safety Switch	1
21	351090159	Leg Assembly	4
22	351302090088	Adjustable Foot	4
23	351080079	Door Switch	2
24 (C)	-	Control Panel Assembly	1
25	351110438	Knob(Temp/Timer)	2
26	35165002060	Left Door Heat Shield	1

# Parts Manual

351FEC100(B/C/D/E) | 351FEC200(B/C/D/E)K

## Whole Assembly



# Parts Manual

351FEC100(B/C/D/E) | 351FEC200(B/C/D/E)K



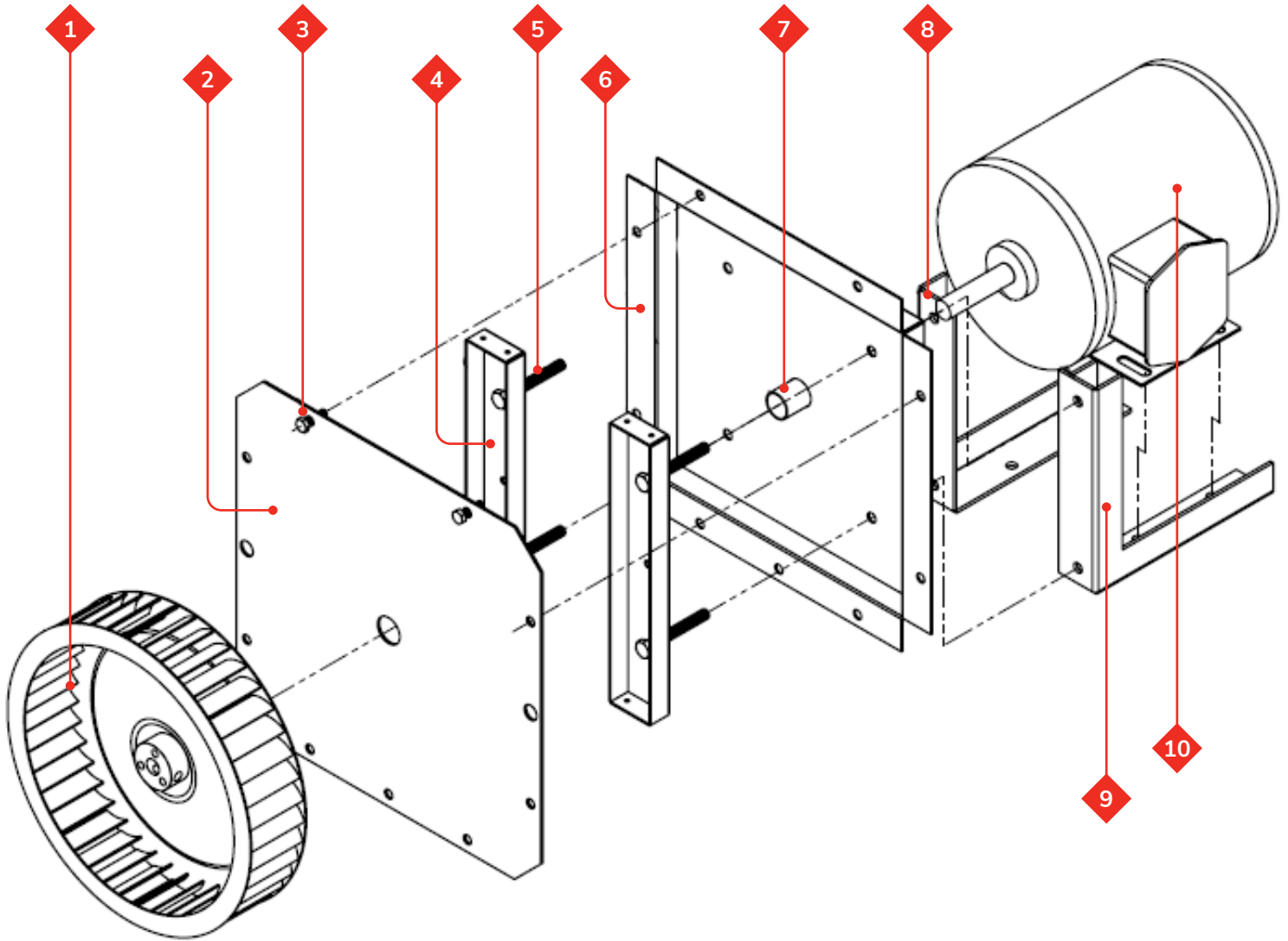
## Motor Assembly (A)

Part #	CPG Item #	Description	QTY
1	351010263	Blower Wheel	1
2	-	Thermal Baffle Plate 1	1
3	-	M6x20 Screw	2
4	-	Reinforcement Plate	2
5	-	M8x20 Screw	4
6	-	Thermal Baffle Plate 2	1
7	-	Bushing	1
8	-	Left Support Rack	1
9	-	Right Support Rack	1
10	351010267	Motor	1

# Parts Manual

351FEC100(B/C/D/E) | 351FEC200(B/C/D/E)K

## Motor Assembly (A)



# Parts Manual

351FEC100(B/C/D/E) | 351FEC200(B/C/D/E)K



## Right Side Assembly (B)

Part #	CPG Item #	Description	QTY
1	-	Water Baffle	1
2	-	Fan Plate	2
3	-	Cover Plate	1
4	-	Right Cover Plate	1
5	-	Terminal Assembly	1
6	351010246	Cooling Fan	1
7	-	Component Plate	1
8	351090135	AC Contactor	2
9	351030192	Breaker	1
10	-	Wire Clip Plate	1
11	351030187	EGO High-Limit Thermostat	1
12	-	Thermostat Plate	1

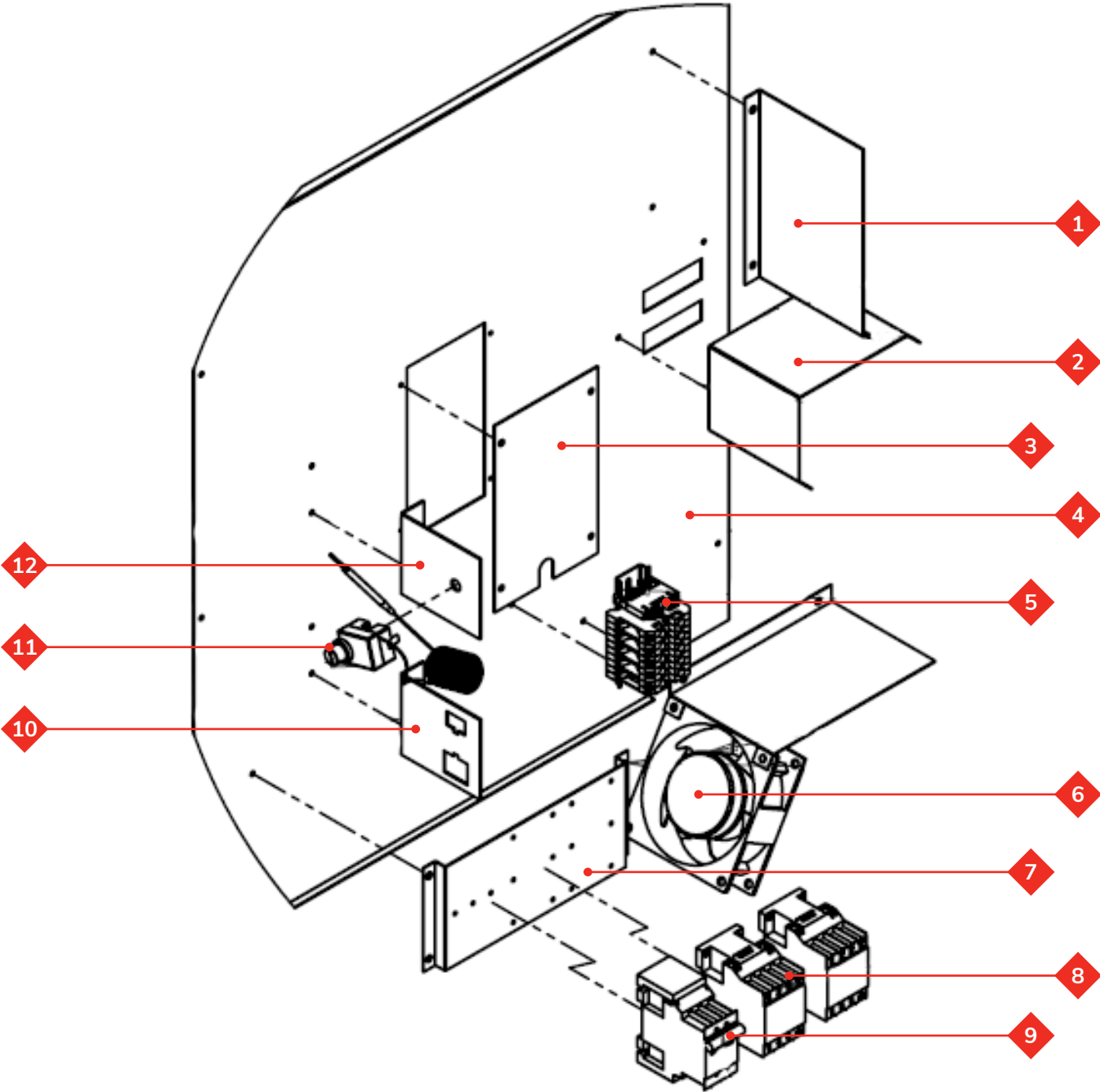


# Parts Manual

351FEC100(B/C/D/E) | 351FEC200(B/C/D/E)K



## Right Side Assembly (B)



# Parts Manual

351FEC100(B/C/D/E) | 351FEC200(B/C/D/E)K

## Control Panel (C)

Part #	CPG Item #	Description	QTY
1	-	Door Hinge	1
2	351080141	Rocker Switch	4
3	351130023	Green Indicator	1
4	351130021	Orange Indicator	1
5	351030169	Electronic Thermostat	1
6	351120028	Timer	1
7	351100002	Buzzer	1
8	-	Side Plate	1
9	-	Control Panel	1

