



Pre-Wired Control Panels


FOR FOOD WASTE DISPOSER


Models: 75-100-150-200-300-500-750



<p>MSS</p> 	<p>NON-REVERSING</p> <p>1-PHASE 115V, 208V, 230V</p> <p>3-PHASE 208V, 230V, 460V</p> <p><i>Best used with Models: 75 & 100</i></p> <p><i>For use in small to medium kitchens, vegetable prep areas, pot sink and soiled dish tables.</i></p>	<p>SPECIFICATIONS:</p> <ul style="list-style-type: none">• NEMA 4 Stainless Steel Corrosion-Resistant Enclosure• Magnetic Contactor• START/STOP Push Buttons• Terminal Strip Connections	<p>ACCESSORIES:</p> <ul style="list-style-type: none">• Safety Line Disconnect (LD)• P - Mounted Solenoid Valve and Flow Control• PP - Mounted Solenoid Valve, Flow Control and Pressure Switch• #980104 - Mounting Bracket
---	---	--	--

<p>MRSS</p> 	<p>MANUAL REVERSING</p> <p>1-PHASE 115V, 208V, 230V</p> <p>3-PHASE 208V, 230V, 460V</p> <p><i>Best used with Models: 100 & 150</i></p> <p><i>For use in small to medium kitchens, vegetable prep areas, pot sink and soiled dish tables.</i></p>	<p>SPECIFICATIONS:</p> <ul style="list-style-type: none">• NEMA 4 Stainless Steel Corrosion-Resistant Enclosure• Manual Reversing Magnetic Contactors• START/STOP Push Buttons• Forward/Reverse Switch• Terminal Strip Connections	<p>ACCESSORIES:</p> <ul style="list-style-type: none">• Safety Line Disconnect (LD)• P - Mounted Solenoid Valve and Flow Control• PP - Mounted Solenoid Valve, Flow Control and Pressure Switch• #980104 Mounting Bracket for MRSS• #980105 Mounting Bracket for MRSS-LD
--	---	---	---

<p>ARSS-2</p> 	<p>AUTOMATIC REVERSING</p> <p>1-PHASE 115V, 208V, 230V</p> <p>3-PHASE 208V, 230V, 460V</p> <p><i>Best used with all Models: 75, 100, 150, 200, 300, 500 & 750</i></p> <p><i>For use in medium to large kitchens, all prep areas and soiled dish tables.</i></p>	<p>SPECIFICATIONS:</p> <ul style="list-style-type: none">• NEMA 4 Stainless Steel Watertight Enclosure• 24 Volt Safety Circuitry• Automatic Reversing Magnetic Contactors• Terminal Strip Connections• START/STOP Push Buttons	<p>ACCESSORIES:</p> <ul style="list-style-type: none">• P - Mounted Solenoid Valve and Flow Control• PP - Mounted Solenoid Valve, Flow Control and Pressure Switch• #980105 Mounting Bracket
--	--	---	--

<p>ARSS</p> 	<p>AUTOMATIC REVERSING</p> <p>1-PHASE 115V, 208V, 230V</p> <p>3-PHASE 208V, 230V, 460V</p> <p><i>Best used with all Models: 75, 100, 150, 200, 300, 500 & 750</i></p> <p><i>For use in medium to large kitchens, all prep areas and soiled dish tables.</i></p>	<p>SPECIFICATIONS:</p> <ul style="list-style-type: none">• NEMA 4 Stainless Steel Watertight Enclosure• Solid State Control Circuit• 24 Volt Safety Circuitry• 45 Second Drain Line Flush• Automatic Reversing Magnetic Contactors• Terminal Strip Connections• START/STOP Push Buttons• Energy/Water-Saving Mode• 3 Second Reversing Safety Delay• User Adjustable Run Time• LCD Status Readout	<p>ACCESSORIES:</p> <ul style="list-style-type: none">• Safety Line Disconnect (LD)• P - Mounted Solenoid Valve and Flow Control• PP - Mounted Solenoid Valve, Flow Control and Pressure Switch• #980105 Mounting Bracket
--	--	---	--

SAFETY FEATURE:

All Salvajor Controls include an operator safety feature that prevents automatic starting of the disposer after a power interruption.

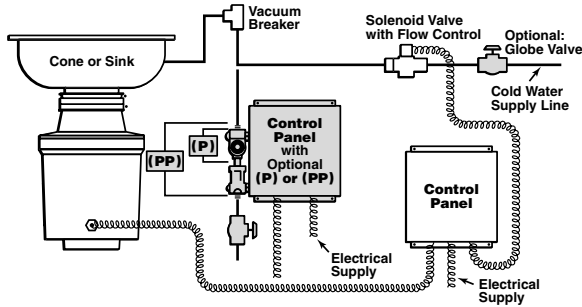
ALL SALVAJOR CONTROLS ARE:



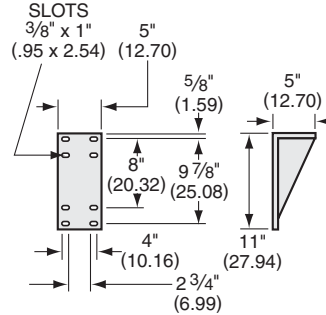
Salvajor Disposer Controls

D E T A I L S A N D D I M E N S I O N S

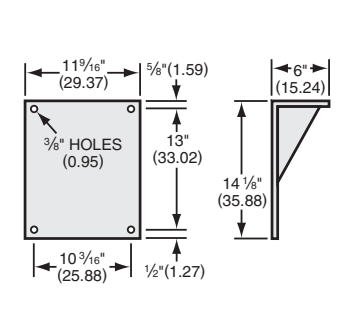
Typical Installation of a Salvajor Disposer with: MSS, MRSS, ARSS-2 or ARSS Control



980104 Optional Mounting Bracket



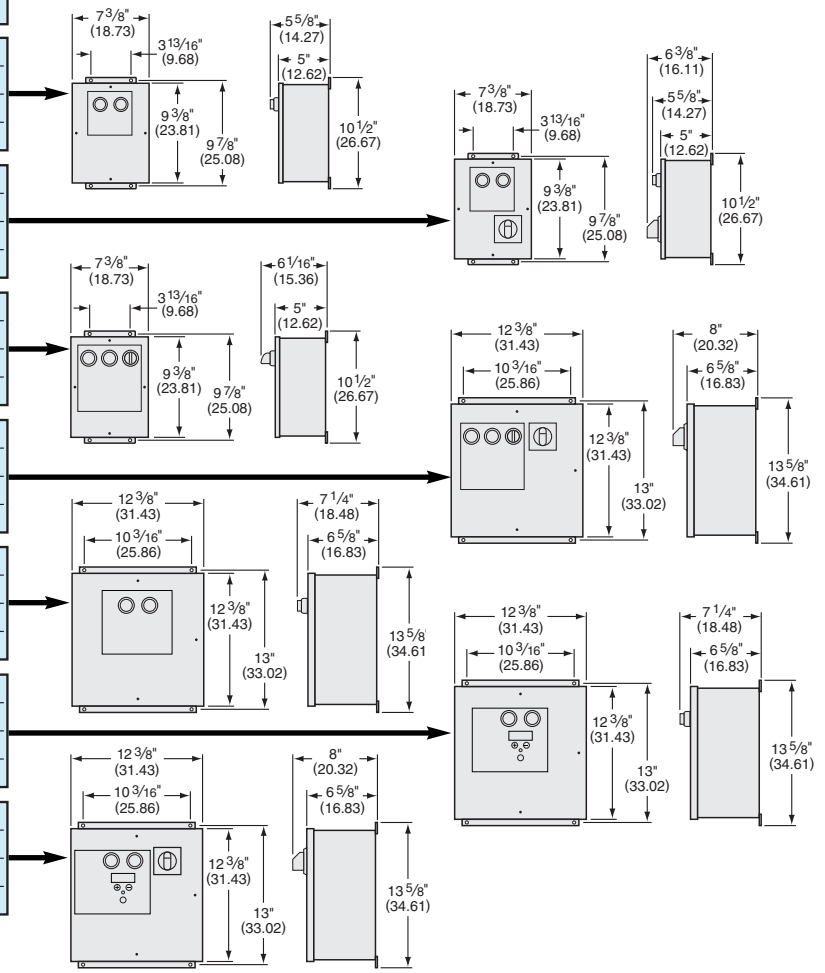
980105 Optional Mounting Bracket



ITEM NUMBERS FOR ORDERING

CONTROL MODEL	VOLTS	PHASE	ITEM NO.
MSS	115	1	MSS4
	208-230	1	MSS5
	208-230	3	MSS7
	460	3	MSS9
MSS-LD	115	1	MSSLD4
	208-230	1	MSSLD5
	208-230	3	MSSLD7
	460	3	MSSLD9
MRSS	115	1	MRSS4
	208-230	1	MRSS5
	208-230	3	MRSS7
	460	3	MRSS9
MRSS-LD	115	1	MRSSLD4
	208-230	1	MRSSLD5
	208-230	3	MRSSLD7
	460	3	MRSSLD9
ARSS-2	115	1	ARSS24
	208-230	1	ARSS25
	208-230	3	ARSS27
	460	3	ARSS29
ARSS	115	1	ARSS4
	208-230	1	ARSS5
	208-230	3	ARSS7
	460	3	ARSS9
ARSS-LD	115	1	ARSSLD4
	208-230	1	ARSSLD5
	208-230	3	ARSSLD7
	460	3	ARSSLD9

DIMENSIONS



◆ SPECIFY EXACT OPERATING VOLTAGE ◆

NOTE: Dimensions in parenthesis are in centimeters

See individual Control Panel Specification sheets for complete Details and Dimensions.

(Specifications subject to change without notice)

Current specification details may be found online at www.salvajor.com



The Salvajor Company 4530 East 75th Terrace Kansas City, Missouri 64132-2081, USA

1-800-SALVAJOR

(816) 363-1030

FAX: 1-800-832-9373

www.salvajor.com

Email: sales@salvajor.com

service@salvajor.com

Manufacturers of Commercial Food Waste Disposing Systems since 1944