

16 GAUGE STAINLESS STEEL TWO COMPARTMENT SINKS WITH ONE DRAINBOARD (LEFT)

ITEM #: _____ QUANTITY: _____

PROJECT: _____

APPROVAL: _____

DATE: _____

REGENCY
Tables and Sinks

FEATURES

- Made of high-quality 16 gauge, type 304 stainless steel
- Galvanized 1 $\frac{5}{8}$ " steel legs with sockets
- Adjustable bullet feet for added stability
- Faucet holes pre-punched on 8" centers (faucet sold separately)
- 3 $\frac{1}{2}$ " IPS drain connection
- Rolled edge contains splashes and overflow



SPECIFICATIONS

ITEM	LENGTH	DEPTH	HEIGHT (Total)	HEIGHT (Work)	BOWL DEPTH	BOWL L to R	BOWL F to B	NUMBER OF DRAINBOARDS	SIDE	NET WEIGHT
600S2171718GLFT	57"	22"	44 $\frac{3}{4}$ "	34 $\frac{3}{4}$ "	12"	17"	17"	1	Left	30.55 LB.



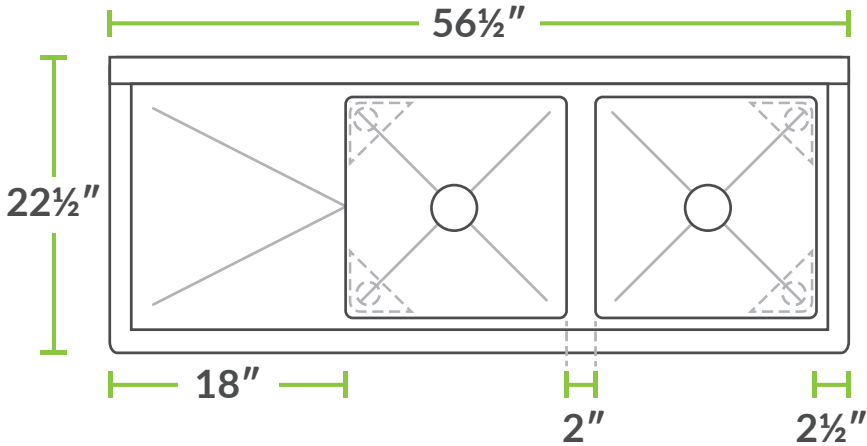
04/2019

REGENCYTABLESANDSINKS.COM

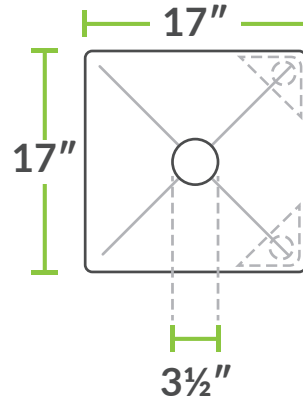
**16 GAUGE STAINLESS STEEL
TWO COMPARTMENT SINKS
WITH ONE DRAINBOARD (LEFT)**



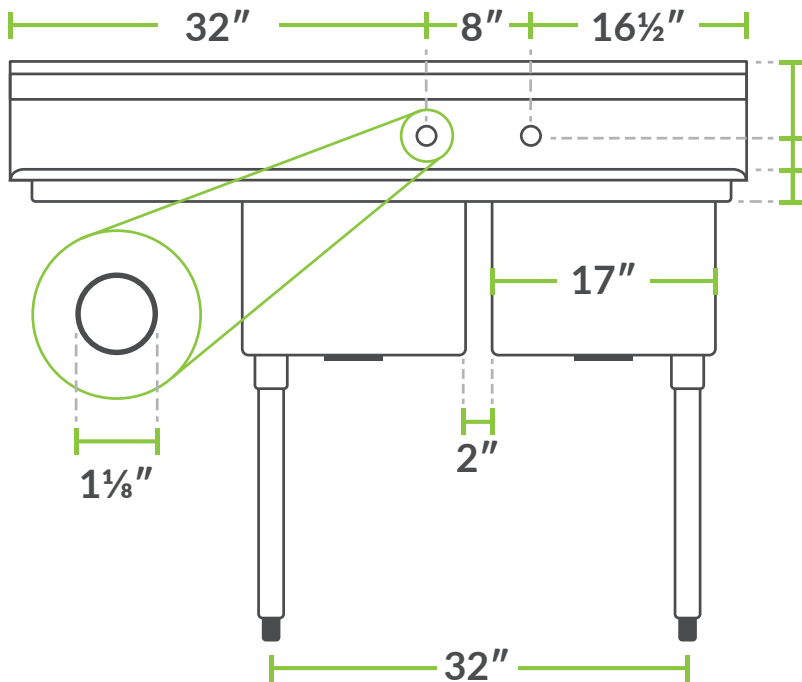
TOP



BOWL



FRONT



SIDE

