

Compartment Sink

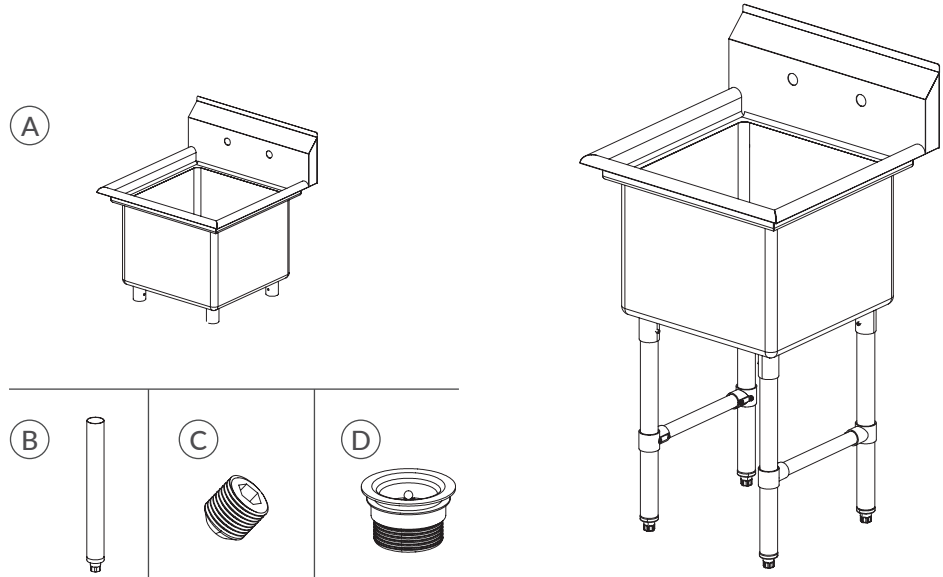
Assembly Instructions

TOOLS REQUIRED

Allen wrench (included)

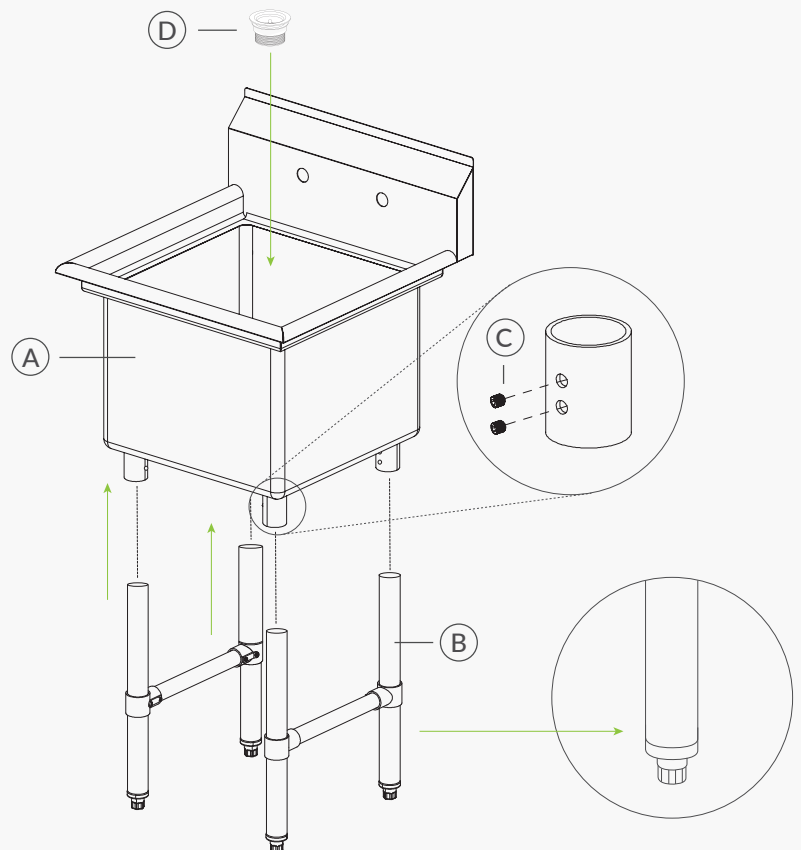
PARTS:

- (A) (1) Sink
- (B) (4) Legs
- (C) (16) Tightening Screws
- (D) (1) Drain Connection



Assembly Instructions

1. Place the sink body (A) upside down on a surface that will not scratch it.
2. Slide the cross braces onto the legs (B) and tighten all set screws (C). Skip this step for models without cross braces.
3. Insert legs into the sink body gussets. You may need to loosen a set screw if one struggles to go in.
4. Tighten all set screws and place the sink right side up.
5. Adjust the feet as needed to meet your height requirements or to compensate for uneven flooring.
6. Insert drain connection (D) into sink body. Remove any protective film.



WARNING! Risk of personal injury. Stainless steel edges are sharp and can cause cuts. Wear gloves during installation and handle with care.