

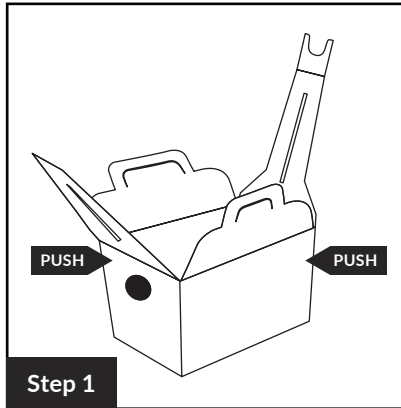
Coffee Take-Out Containers



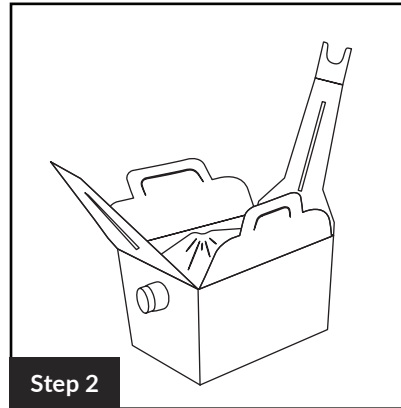
500CTOUT96P, 500CTOUT96, 500CTOUT128, 500CTOUT160

Assembly Instructions

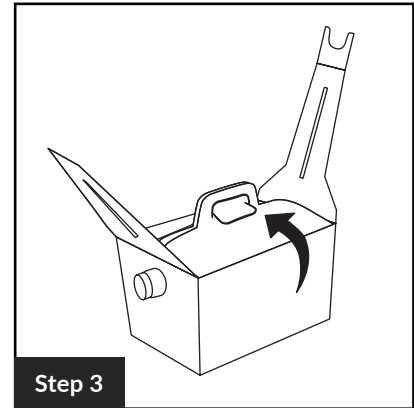
INSTRUCTIONS



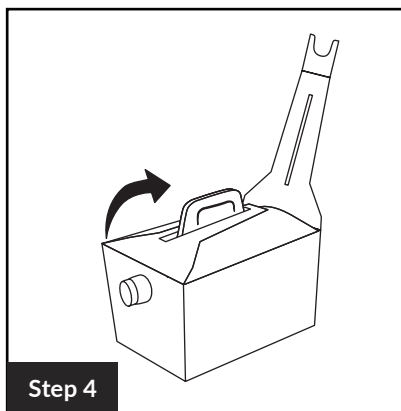
1. To open the box, push the front and back corners toward each other.



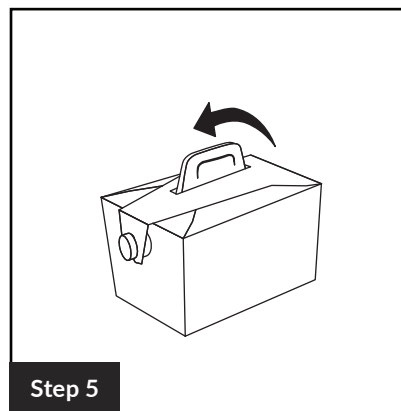
2. Insert the bag into the box with the spout face down and place the spout through the front opening. Then, lock the opening using the cardboard flap.



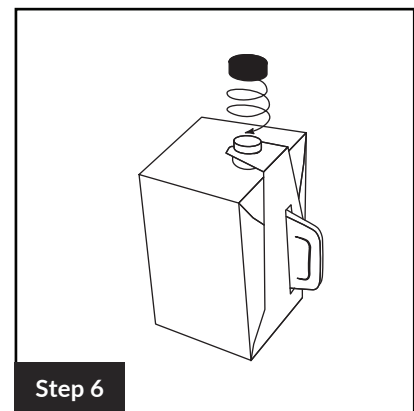
3. Fold both flap together, placing tab 2 on top of tab 1.



4. Lower front flap over the handle.



5. Place the top flap's front tabs securely behind the spout's last ring.



6. To fill, place the container on a flat surface with the spout facing up. Twist on the spout's cap, and the container is ready to use!



SCAN HERE FOR
VIDEO INSTRUCTION