



## Avantco Continuous Feed Food Processor

**Model:** CFP5D

05/2017

***Please read and keep these instructions. Indoor use only.***

## Safety

1. The food processor must be managed by skilled personnel that are familiar with the instructions for use and safety contained in this manual.
2. This machine comes with several safety systems but users must avoid setting their hands and loose objects near the cutting discs and moving parts.
3. Before any cleaning and maintenance operations, check to make sure the machine is disconnected from the power source.
4. Never use the food processor to with frozen food.
5. Never replace or repair parts on your own. Consult an authorized service agency.
6. Operate the processor on a clean, dry and level surface.
7. If the power cord is damaged, do not use. Contact the distributor for a replacement power cord.

## Installation and Operation

1. Unpack your food processor and place on a clean, dry surface
2. Inspect the unit for damage, including the power cord. Do not use if any damage is found.
3. Locate the unit near a 110-120v 1phase outlet. If you are unsure of the electrical connection- contact a qualified electrician before using.
4. It is recommended to clean the equipment prior to first use.

## Use of the Equipment

### Controls

1. Green button for starting the machine.
2. Red button for stopping the machine.



## Setting the Discs on the Machine

Rotate the knob as shown in figure n.1 And open the cover. First set the plastic ejecting disc (2), then the disc selected for the cutting on top of the plastic disc. Close the cover and reverse the rotation of the handle. Hit the start button to automatically hook the discs in the correct position.



Cover Opening (1)



Disc Position (2)

## Setting and Cutting the Food

Lift the handle and set the food inside the opening as shown in figure n.3, Then close the handle. Press the green start button with your right hand, and with your left hand, lightly move the handle downwards until food has passed through the hopper.



Lift the handle to add more food. The machine starts automatically when the handle is closed. Repeat these operations as needed.

**WARNING: NEVER USE YOUR HAND TO FEED ANYTHING THROUGH THE HOPPER**

## Release and Replacement of the Discs

Turn the handle and lift the cover. (Fig.1)

Turn the disc anticlockwise and cover the cutting edge with appropriate material as (rubber, fabric, etc), then lift it by setting your hand under the disc.



(4)



(5)

## Cleaning and Maintenance Operations

Before carrying out any cleaning or maintenance operations, check to make sure that the mains switch is off and the plug disconnected.

Use a damp cloth and a non-abrasive detergent to clean the machine and discs.

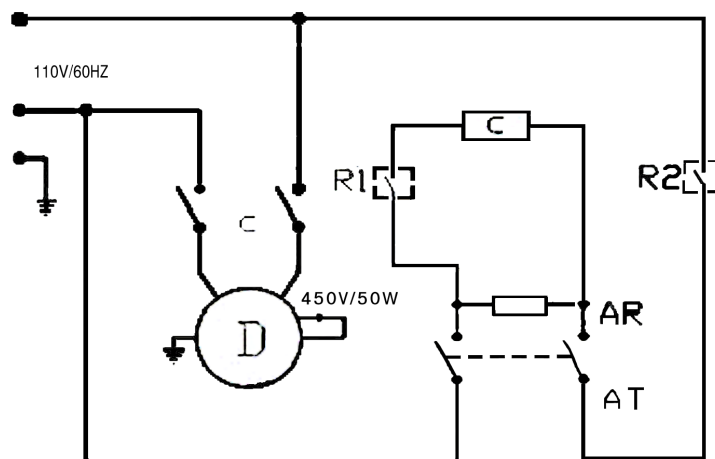
The discs are dishwasher safe. Do not run the base unit in the dishwasher.

Never use steel wool or any abrasive chemicals on the discs or machine.

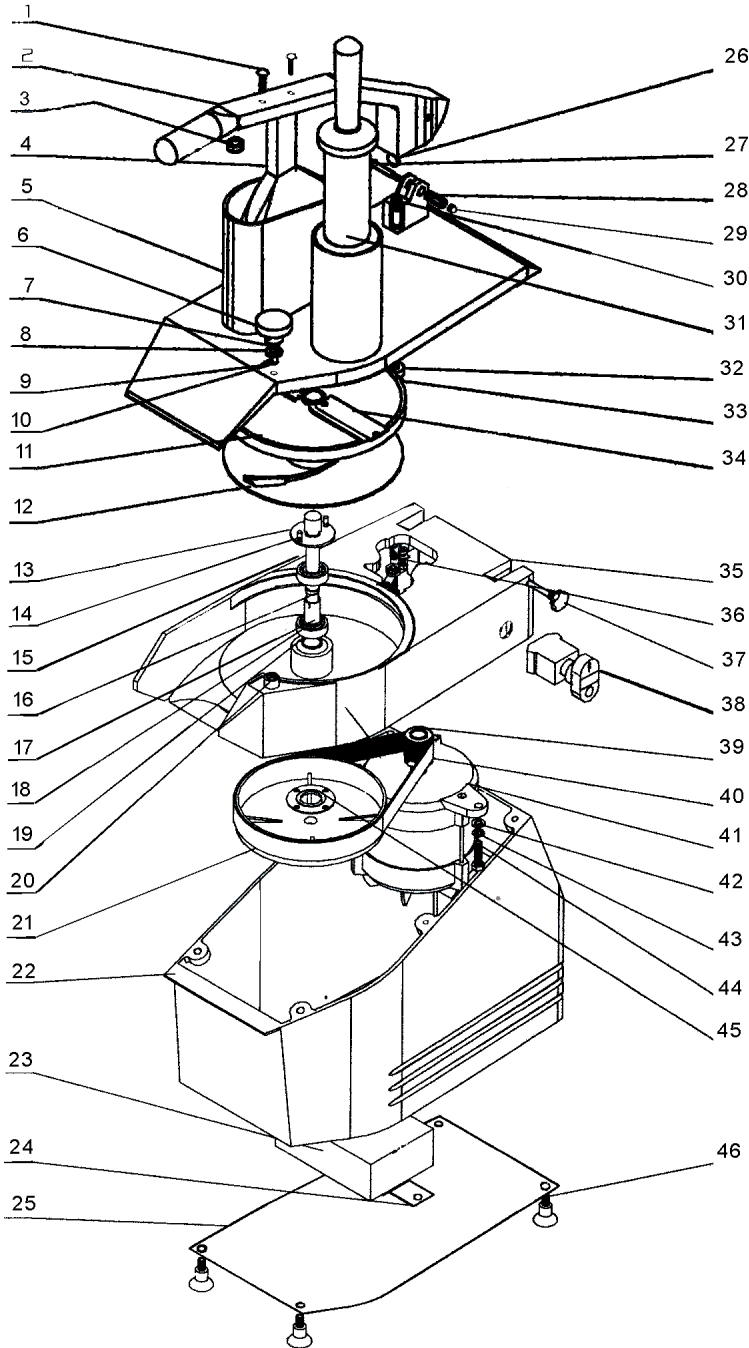
## Technical Specifications

MODEL	DIMENSIONS	WEIGHT	POWER	ELECTRICAL CONNECTION	RPM
CFP5D	9"X22.5"X20"	51LBS	550 WATTS	110V 1 PHASE 60Hz	270

## Wiring Diagram 110V



## Parts Diagram



**Parts Key for Avantco Equipment CFP5D Continuous Feed Food Processor - 120V**

Parts Diagram #	New Part Name	Replacement Part Item#
1	Pusher Handle Bolt (2/Set)	177PCFPBOLT
2	Replacement Handle Grip	177PCFPBAR
3	Nylon Handle Gasket and Screw	177PCFPGSKT
4	Pusher Head	177PCFPUSH
5	Kidney-Shaped Hopper	
6, 7, 8, 9, 10	Locking Knob	177PCFPKNOB
11	Disc, Slicing, Grating, or Dicing	177CGRATE18 (1/8" Grate) 177CGRATE516 (5/16" Grate) 177CGRATE532 (5/32" Grate) 177CSLICE38 (3/8" Slice) 177CSLICE516 (5/16" Slice) 177CSLICE532 (5/32" Slice) 177CSLICE564 (5/64" Slice) 177KITD38 (3/8" Dice Set) 177KITD516 (5/16" Dice Set) 177KITFRY38 (3/8" French Fry Set) 177KITFRY516 (5/16" French Fry Set) 177CDICE516 (5/16" Dicing Grid) 177CFF38 (3/8" French Fry Grid) 177CFF516 (5/16" French Fry Grid) 177CDICE38 (3/8" Dicing Grid)
12	Plastic Ejecting Disc	177PCFPDDISC
13, 14, 15, 16, 17, 18	Disc Stem Assembly	177PCFPSTEM
19	Disc Stem Bearing	
20	Lid Knob Sheath	
21	Belt Wheel	
22	Bottom Housing	
23	Electric Box	
24	Bottom Board of Electric Box	
25	Bottom Panel	
26	Handle Magnet	
27	Umbrella Bolt	
28	Handle Sheath	
29	Nut	
30	Adjusting Bolt	
31	Pusher	177MGSTOMP
32	Magnet Seat	
33	Magnet	
34	Replacement Knife (Slicer Disc)	
35	Top Housing	
36	Microswitch	177PCFPMICSW
37	Lid Bolt	177PCFPWBOLT
38	Power Switch	177PCFPSWTCH
39	Strapped wheel	
40	Belt	177PCFPBELT
41	Motor 3/4 HP	177PCFPMOTOR
42	Gasket	
43	Gasket	
44	Bolt	
45	Gear Cover	
46	Leg Bolt	

## Limited Warranty

All equipment, which is sold under Avantco trademark and used for commercial purpose is warranted against defects in materials and workmanship. The warranty runs for six months from the time of purchase and is for the benefit of the original purchaser only. All other Warranties, Expressed or Implied, Statutory or Otherwise, including Without limitation any implied Warranty of Merchantability or Fitness for Purposes are excluded. The Seller shall in no event be liable for direct, indirect or consequential damages in connection with Avantco commercial products.

This warranty is not effective if damage occurs because of accident, carelessness, improper installation, lack of proper set – up, supervision when required or if the equipment is installed or operated in any manner contrary to the installation and operating instructions. In these cases, repairs will be made at a reasonable cost. Work performed by unauthorized personnel or unauthorized service agencies voids this Warranty.

This warranty does not apply to, and Avantco is not responsible for any warranty claims on products sold or used outside of the contiguous United States.

This equipment is intended for commercial use only. Warranty is void if equipment is installed in anything other than commercial applications.