

CARNIVAL KING

USER MANUAL



BLOCK ICE SHAVER

Item #382IBS250



06/2022



www.CarnivalKingSupplies.com

BLOCK ICE SHAVER MACHINE MANUAL



Items Included with this Unit

- Foot Pedal
- Drain Hose

General Safety Precautions

To ensure safe operation, read the following statements carefully. This manual will outline safety warnings and precautions, operating, maintenance, and cleaning. The warnings and instructions reviewed in this manual cannot cover all possible conditions and situations that may occur. Factors such as caution and common sense cannot be built into this product and it is trusted the operator will follow these measures.

WARNING: These precautions should be followed at all times. Failure to follow these precautions could result in injury.

IMPORTANT: Do not remove any permanent instruction labels or the data labels on your appliance.

NOTE: The appliance is for indoor use only.

To reduce risk of injury or damage to the unit:

1. Do not operate unattended.
2. Unit must be only used in a flat, level position.
3. No minor should operate this machine unsupervised. Keep hands, foreign objects, long hair, and loose clothing away from the ice blades while in use. Some areas may become hot while in use.
4. This machine must never be modified and should only be used for its intended purpose.
5. Always check that the ice shaver machine is plugged into a grounded outlet with the appropriate electrical supply.
6. Ensure that the wall outlet being used is properly grounded. If it is not, you must install a grounded outlet.
7. Before disconnecting from the power source, be sure that all switches have been turned OFF. To unplug the machine, firmly grasp the plug and remove from the outlet – never pull on the cord itself.
8. Ensure that the power outlet, plug, and cord being used are in good, working condition. Even with a properly functioning power cord, keep water away from the cord and avoid letting your power cord run over carpets or heating devices.
9. Do not operate if unit has been damaged or is malfunctioning in any way.
10. Always use the machine in a clean and dry area.
11. Do not spray controls or outside of unit with liquids or cleaning agents.
12. When not in use, do not leave the machine running for more than 60 minutes.



BLOCK ICE SHAVER MACHINE MANUAL

Ice Shaver Machine Specs



Item #	382IBS250
Overall Dimensions	13.5"W x 16.5"D x 34"H
Frame Material	Plastic + Aluminum
Horsepower	1/3 HP
RPM	1440 RPM
Capacity	Up to 360 lb. Per Hour

Ice Block Width/Height	4"-7" / Up to 7"
Wattage	250W
Voltage	120V
Amps	3.5A
Hertz	60Hz
Phase	1
Plug	NEMA 5-15P

Function and Purpose

This unit is intended to be used for shaving ice in commercial foodservice operations only. It is not intended for household, industrial, or laboratory use.

Before using this equipment, it must be cleaned and **dried thoroughly**. Clean all surfaces before use. Failure to clean surfaces before using the unit could cause food contamination.

This ice shaver is intended for shaving block ice for use in Hawaiian shaved ice, kakigori, Taiwanese shaved ice, or snowballs. Block ice should be a maximum of 7 inches in diameter and 7 inches in height. See further instructions below. Your Block ice Shaver machine can produce up to 360 lb. of ice per hour.

Installation and Operation Instructions

1. Place the Ice Shaver machine in a place where it cannot be pushed off the counter.
2. Keep the area at the front of the Ice Shaver clear for unobstructed access during operation.
3. Keep unit and power cord away from open flames, electric burners, or excessive heat.
4. Do not use an extension cord with this equipment.
5. NEVER allow any foreign or metallic objects around the shaver area. Ice picks, scoops, and debris that may be in the ice can damage the blade.
6. Connect drain hose to front of unit. Drain hose funnels excess water to floor drain or basin tub.
7. This unit comes with an optional foot pedal switch for operating the unit. It should be located so it will not be a trip hazard or in an area of heavy traffic.
 - a. Do not leave foot switch accessible to inadvertent operation when left unattended or when not being used.
 - b. Turn Foot Pedal Power Switch OFF when ice shaver is not in use.
 - c. Do not bypass any machine or equipment safety features to use this foot switch.
 - d. Replace damaged cord immediately.

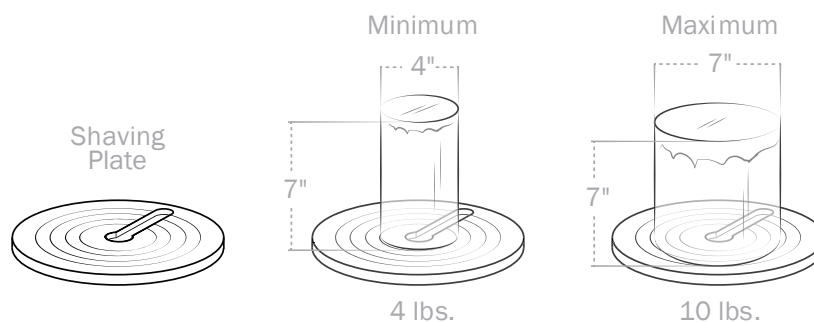


BLOCK ICE SHAVER MACHINE MANUAL

Operation

Recommended: for the fluffiest, snow-like ice, temper ice to room temperature for at least 20 minutes. To release ice block from mold, pour warm water over the outside of the mold. Tempering the ice too quickly may result in cracked ice, which should not be used.

1. Please ensure that the machine is on a level stable surface, the feet are intact and level.
2. Open the block shaver safety-shield, and wipe the shaving plate with a dry cloth, check that the blade is firmly installed. Please use caution to avoid the exposed blade
3. If using the foot pedal, install the foot pedal by plugging it into the back of the machine.
 - a. **WARNING: do not leave foot switch accessible to inadvertent operation when left unattended or when not being used.**
4. Place an ice block no bigger than 7" x 7" on the shaving plate, do not overfill.
 - a. **WARNING: ensure the block is centered, using the concentric guidelines. Uncentered blocks may dislodge from ice claw.**
 - b. Allow ice block to temper (To "temper" is to "warm up" your ice blocks in order to get the correct ice consistency. Tempering allows the ice to reach the ideal shaving temperature of 18 to 20 degrees Fahrenheit. Once the ice block begins to melt (or sweat), it is an indication that the ice has reached the tempered stage.) for at least 20 minutes for finer and fluffier texture. We recommend not using ice blocks straight from the freezer.
5. Adjust the ice claw to secure the ice block by rotating the handle clockwise (or counterclockwise to loosen). Ensure the ice claw teeth penetrate the ice block. Release the handle after ice block is centered and secure.
 - b. **WARNING: do not touch the teeth of the ice claw.**
6. Close the safety-shield and place a cup, bowl, or tub directly below the ice chute. Turn the Main Power Switch ON or press down on the Foot Switch. To stop shaving ice, release Foot Switch.
 - a. **WARNING: KEEP SAFETY-SHIELD CLOSED AT ALL TIMES WHEN OPERATING MACHINE.**
7. Keep an eye on your block ice and replace block when there is 1/4" left or at your own discretion. Warning: do not let ice claw touch the shaving plate while operating. TURN the front switch to turn OFF or take your foot off the pedal.
 - a. Note: Note: when replacing the block ice - make sure to switch OFF power and remove foot from pedal. This machine can still operate with safety-shield open.
8. To adjust the ice texture, turn the Blade Adjustment Knob CLOCKWISE for a finer ice texture, COUNTERCLOCKWISE for a coarser ice texture.
9. Top with Carnival King Sno-Cone Syrup, condensed milk, frozen or fresh fruit, or marshmallow fluff!



Warning

ELECTRIC SHOCK HAZARD

Keep water and other liquids from entering the inside of the equipment. Liquid inside the equipment could cause an electrical shock.

Warning

Sharp blades, do not place hands in or near the ice holder while the motor is running.



BLOCK ICE SHAVER MACHINE MANUAL

Compatible Items from



Snow Cone Syrups

(382SNO)

1 Gallon Jug Available Individually or 4/Case

- Pour directly over ice or combine 2 parts water to 1 part syrup
- Perfect for snow cones and snowballs
- Enhances the appearance and taste of concession treats
- 128 servings per container
- 20 flavors available



Molds



See [WebstaurantStore](#) for more options

Choice and Carnival King Dessert Cups



Cleaning

To maintain the appearance and increase the service life, clean your unit daily.

NOTE: Do not clean the unit with steel wool.

1. Operate the motor for several seconds to dislodge any ice. Allow machine to cool.
2. Turn off the POWER switch and remove Foot Switch Pedal. Unplug the power cord from the electrical outlet.
3. Allow all remaining ice to melt and drain into drip tray.
4. Using a clean cloth, wipe down the following items:
 - a. The shaving plate (Caution: Sharp Blades)
 - b. The shaving teeth (Caution: Sharp Points)
 - c. All interior and exterior surfaces.

WARNING: do not clean the corkscrew. See corkscrew greasing instructions.

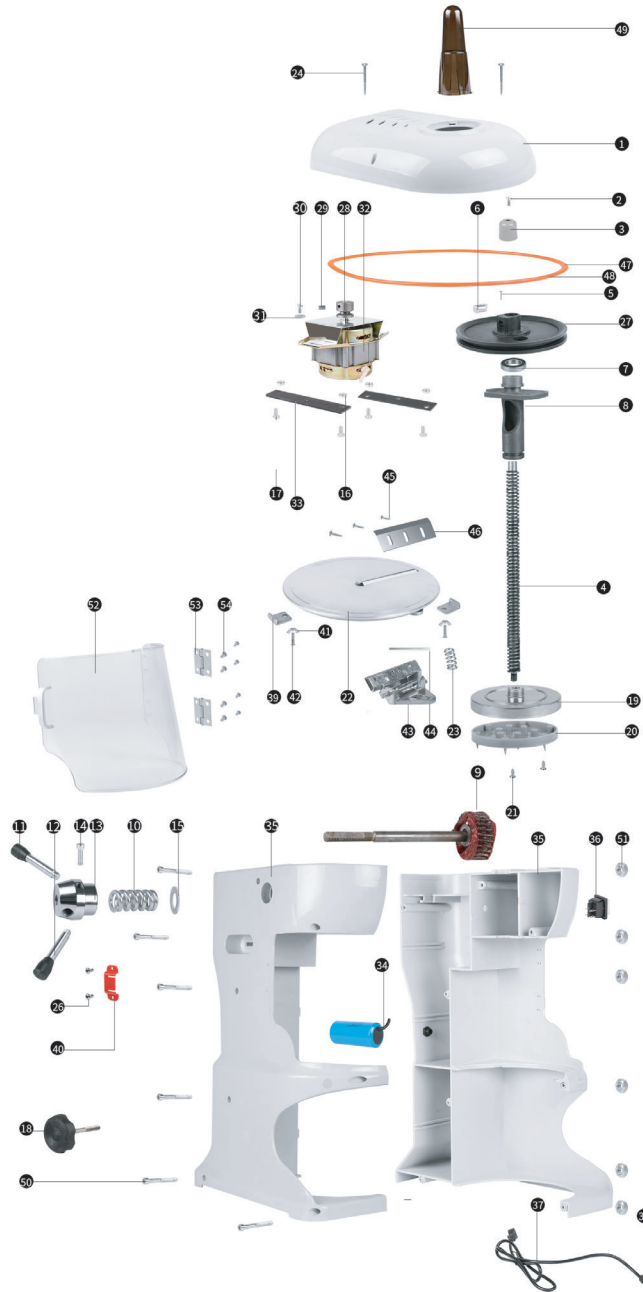
5. To clean the drip tray:
 - a. Remove the drip tray grid and rinse out tray with light soap and water, wiping down clean.
6. The exterior of the unit can be cleaned with a damp cloth, light soap and water.
 - a. Recommended: Use Sunbright (147SUNBRIGHT) for plastic frame.
7. Do not immerse in or use excessive water when cleaning this unit.
8. Only use food grade cleaners.

Warning

Do not spray water or cleaning products. Liquid could contact the electrical components and cause a short circuit or an electrical shock. Do not use unit if power cord is damaged or has been modified.



BLOCK ICE SHAVER MACHINE MANUAL



Replacment Parts

Parts Number	Name	Item #
46	Blade	#382IBSBLADE
20	Nail Claw	#382IBSNAIL
--	Foot Pedal	#382ISPEDAL



Blade Maintenance & Replacement Instructions

REMOVING THE SHAVING PLATE

1. To remove ice shaving plate, unscrew the adjustment knob completely. Then remove the two screws underneath the shaving plate.
2. Fixed metal parts can now be removed and the ice table can be moved upward.

CLEANING BLADE

1. Wash blades with water.
2. If stains cannot be removed use a warm damp soft cloth.
3. After cleaning, spray with kitchen alcohol.

INSTALLING THE SHAVING PLATE

1. Place shaving plate in its original place and rotate blade adjustment button to lower it.
2. Fasten fixed metal plates with the two screws from step 1 of "Removing the Shaving Plate"

ROTARY TRAY, NAIL CLEANING

1. Wash nails with water.
2. After cleaning, spray with kitchen alcohol.

BLADE REPLACEMENT

1. Refer to the "Removing the Shaving Plate" instructions for removing the Shaving Plate.
 2. Remove the 3 screws fastening blade.
- WARNING: Inner blade is hidden.

ADJUSTING THE INSTALLATION POSITION OF THE BLADE

1. Rotate the blade adjustment knob clockwise until tight.
2. Unscrew the screws in the blade.
3. When the top blade is in middle position or ice table, the blade can be installed.
4. Fasten with screws.

GREASING

1. Grease corkscrew once a month with food safe grease, greasing 'up and down the spiral rod.
2. Remove protective covering at the top of the machine (the sleeve that protects the corkscrew rod) and grease the spiral rod. Replace protective covering by rotating clockwise to install.



BLOCK ICE SHAVER MACHINE MANUAL

Troubleshooting

Decription	Cause	Solution
Fail to start	Plug is not inserted	Insert socket
	Circuit breaker in operation	Press the reset button
Stop during use	Continuous operation may lead to overheating, which triggers the circuit protection.	Turn OFF machine and allow motor to cool for 30 minutes.
Machine in operation, but ice will not cut	The blade is not on the right setting	Adjust blade shaving settings with adjustment knob.
	The blade is blunt	Replace the blade