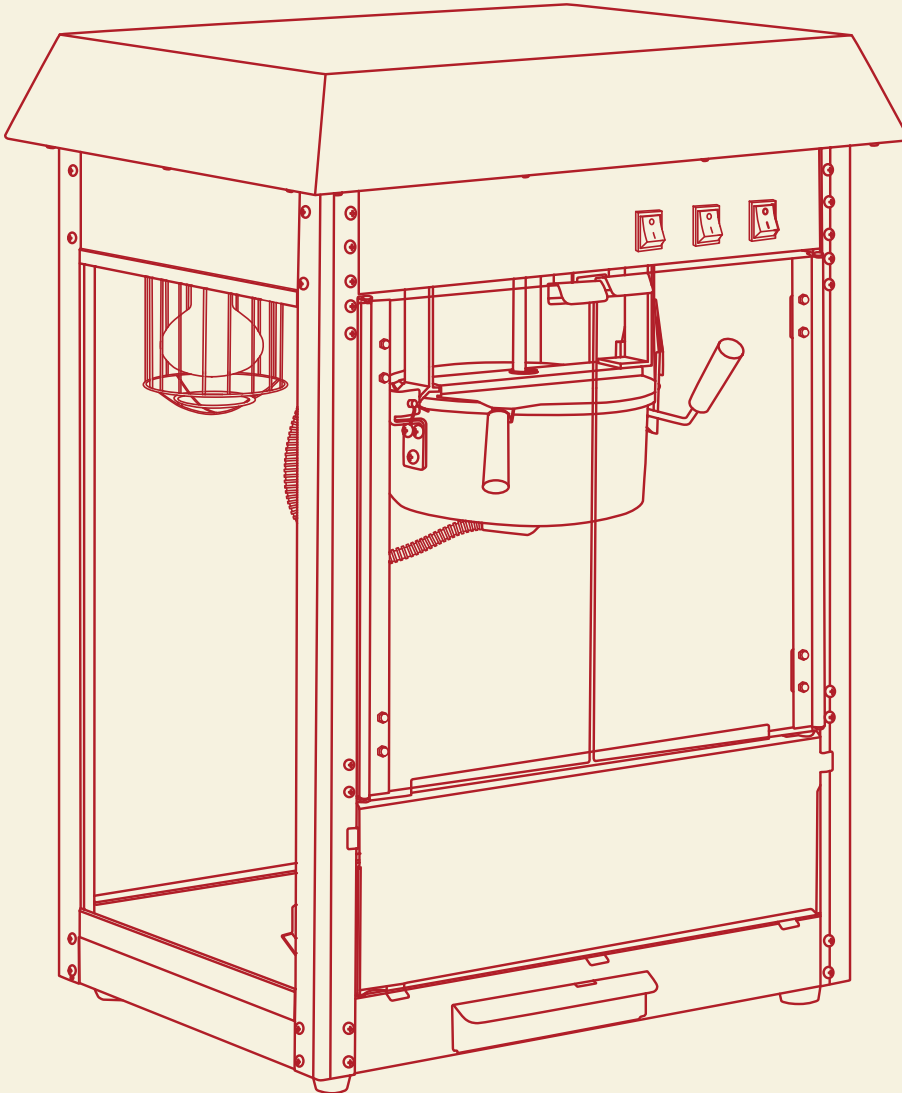




User Manual

# Popcorn Poppers



#382PM30R  
8 oz.

#382PM50NR  
12 oz.

#382PMW17R  
8 oz. w/ Merchandiser



Intertek  
5002274



Intertek  
5002274

CONFORMS TO UL STD. 197  
CONFORMS TO CSA C22.2 NO. 109  
CONFORMS TO NSF/ANSI STD. 4

9/2022

# Popcorn Poppers

## User Manual



## Introduction

Thank you for your purchase of Carnival King Royalty Series equipment. To ensure the best results, it is important that you read and follow the instructions in this manual carefully.

## Important Safeguards

1. READ ALL INSTRUCTIONS PRIOR TO USING YOUR POPCORN MACHINE.
2. KEEP OUT OF REACH OF CHILDREN. Close supervision is necessary when it is being used near children.
3. ALWAYS make sure it is located on a flat and level surface before operating the popcorn machine.
4. DO NOT place the unit on or near a hot gas or electric burner or in a heated oven.
5. ALWAYS position appliance close to a power outlet to avoid the possibility of tripping over the power cord.
6. ALWAYS connect the electrical cord between the popping kettle and the main unit first, and then connect the main power cord into a wall outlet.
7. This appliance has a polarized plug (one blade is wider than the other). To reduce the risk of electrical shock, this plug is intended to fit into a polarized outlet only one way. If the plug does not fit into the outlet, reverse the plug. If it still does not fit, contact a qualified electrician. DO NOT attempt to modify the plug in any way.
8. DO NOT connect the popping kettle to ANY electrical cord not included with this unit.
9. DO NOT leave power cord hanging over the edge of a table or counter and do not allow it to come in contact with any hot surfaces.
10. DO NOT operate the appliance with a damaged cord or plug, with a malfunction, or with any mechanical damages.
11. DO NOT leave unit unattended while in use.
12. DO NOT touch hot surfaces. ALWAYS use handles or knobs to operate.
13. ALWAYS keep door closed while operating.
14. DO NOT touch kettle while operating. Kettle surface is HOT and should NOT be touched during popping or immediately after use.
15. DO NOT pop kernels with a dry popping kettle (i.e., without oil). To avoid overheating, always add oil first and then kernels before operating.
16. Be very cautious when emptying popcorn from the popping kettle to avoid burns from the kettle or from residual oil.
17. ALWAYS allow HOT parts to cool down before moving. Use extreme caution when moving an appliance containing hot oil or other hot liquids.
18. ALWAYS turn ALL switches to the "OFF" position before disconnecting power plug from the wall supply outlet.
19. ALWAYS unplug main power cord from outlet while not in use and before cleaning the popcorn machine.
20. DO NOT immerse cord or plug into water or other liquid to avoid any risk of electrical shock.
21. DO NOT immerse popping kettle set into water.
22. DO NOT clean any parts in the dishwasher.
23. DO NOT USE ANY ABRASIVE CLEANING MATERIALS.
24. DO NOT use any accessory or attachment not provided or recommended by manufacturer as it may cause injury.
25. DO NOT force any parts or brackets into position.
26. ALWAYS unplug, clean, and store the popcorn machine in a dry and safe place if not being used for a long time.
27. Not recommended for use outdoors.
28. DO NOT use appliance for other than indicated usage.
29. DO NOT use a bulb over 60W in this popcorn machine.
30. Replace cord set only with manufacturer's cord set.
31. This popper must never be modified and should only be used for its intended purpose.

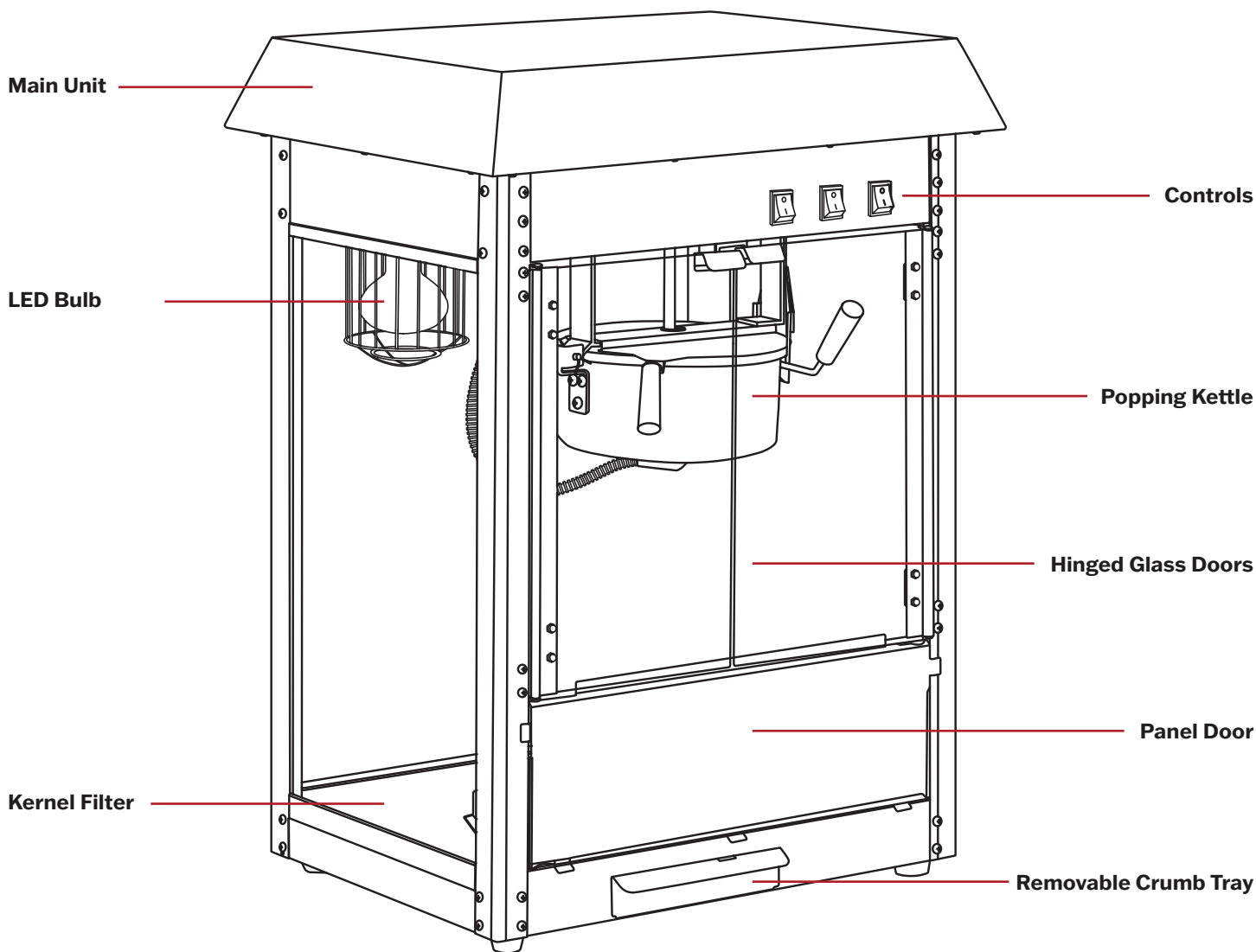
### SAVE THESE INSTRUCTIONS

# Popcorn Poppers

## User Manual



### Unit Breakdown



### Receiving

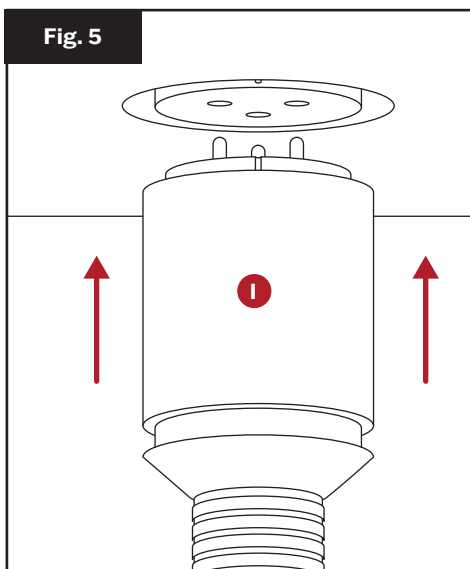
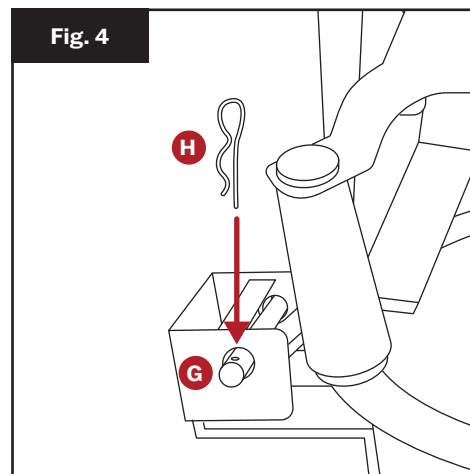
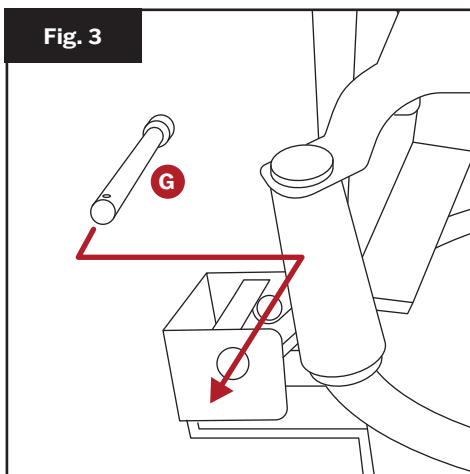
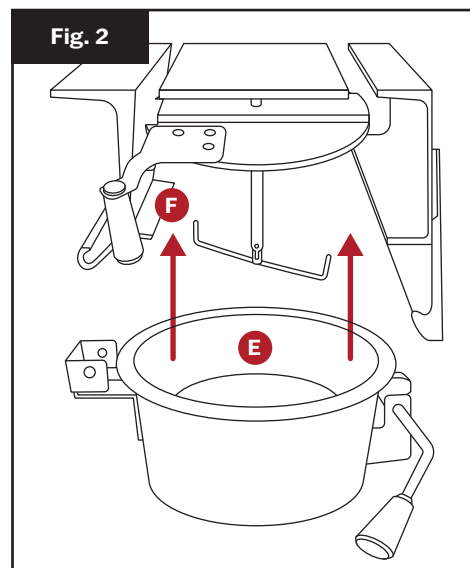
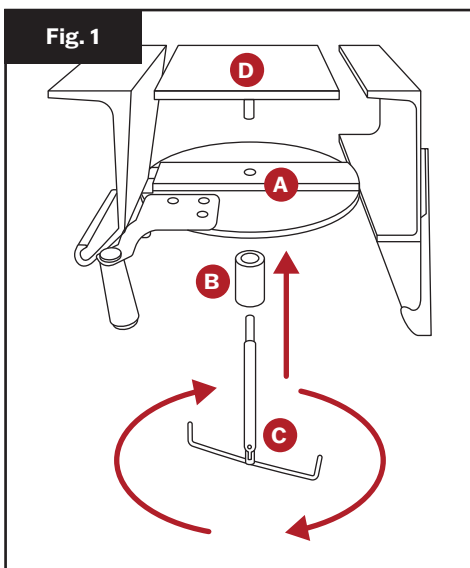
#### IMMEDIATELY INSPECT FOR SHIPPING DAMAGE

All equipment should be examined for damage before and during unloading. The freight carrier has assumed responsibility for its safe transit and delivery. If equipment is received damaged, either apparent or concealed, a claim must be made with the delivering carrier. Please check if all unit components are present. If not, please contact [Info@CarnivalKingSupplies.com](mailto:Info@CarnivalKingSupplies.com).

### Assembly Instructions

#### Kettle Assembly

1. Screw the lid (A), stirrer anchor (B), and stirrer (C) into the gear box (D). (Fig. 1)
2. Hold the kettle (E) up into the supporter (F). (Fig. 2)
3. Insert pin (G) through the kettle and supporter. (Fig. 3)
4. Use the clip (H) to secure the pin (G) and kettle. (Fig. 4)
5. Align the kettle plug (I) accordingly to insert into the socket on the inside top of the main unit. (Fig. 5)



# Popcorn Poppers

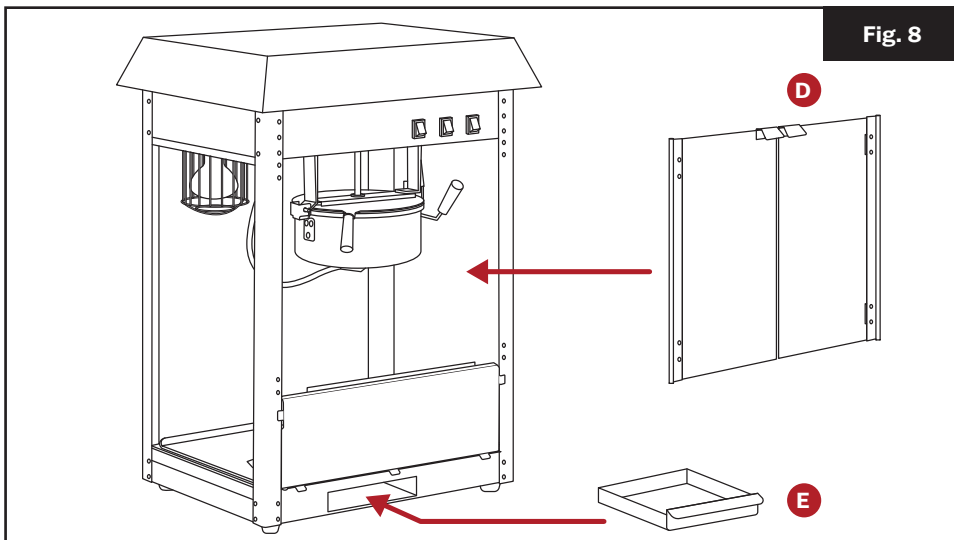
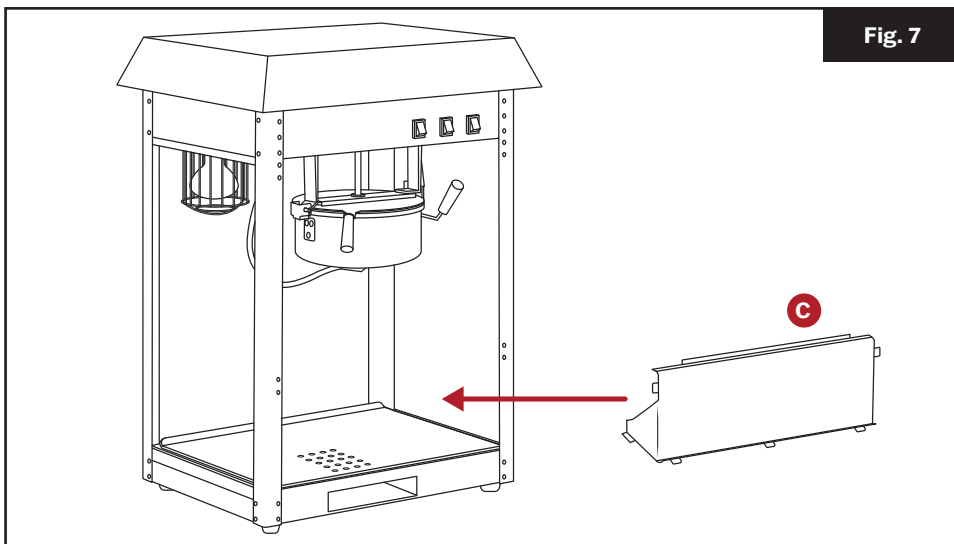
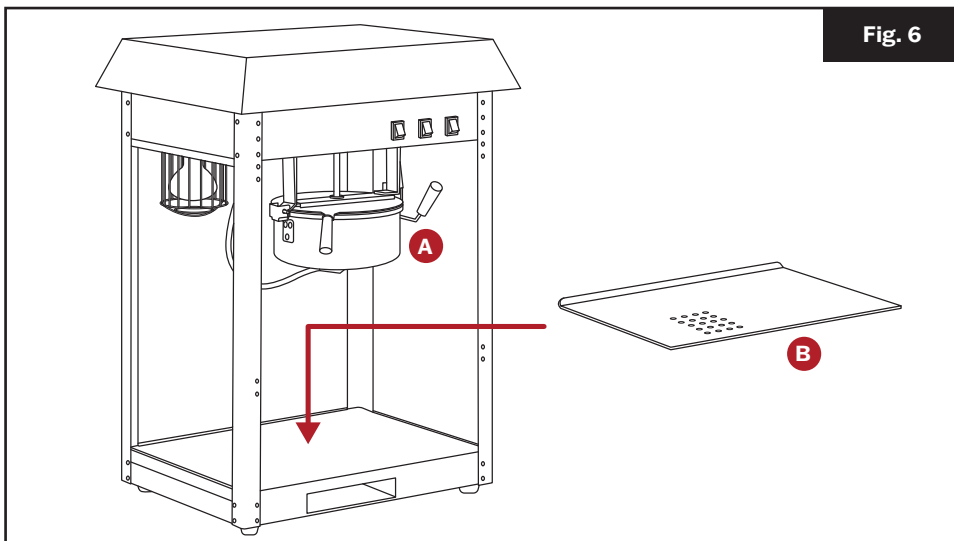
## User Manual

### Assembly Instructions

#### Main Unit Assembly

1. Follow Kettle Assembly on page 4 to get the Popping Kettle (A) in place and set up.
2. Insert the Unpopped Kernel Filter (B) onto the inside base of the unit. (Fig. 6)
3. Insert the Panel Door (C) at the bottom of the main opening. (Fig. 7)
4. Insert the Detachable Doors (D) onto the hinges in the main opening. (Fig. 9)
5. Slide the Crumb Tray (E) into the slot on the bottom of the unit. (Fig. 8)

**Note:** The Popcorn Popper should be placed and used on a level and stable countertop or on a Popcorn Machine Cart (sold separately).



# Popcorn Poppers

## User Manual



## Operation Instructions

### Before Use

1. Unplug the popcorn machine.
2. Clean the surfaces of the popping kettle and the internal surfaces of the main unit.
3. Ensure the popping kettle is properly installed, see instructions on page 4.
4. Plug the power cord into an appropriate outlet. The unit is now prepared to use.

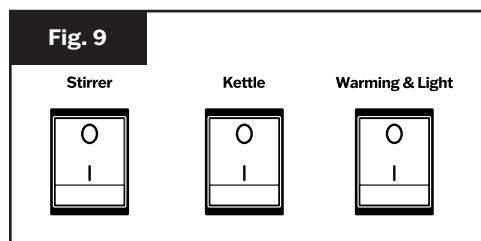
### Kernels & Oil

- **It is highly recommended to use Carnival King All-in-One Popcorn kits. Follow instructions on the kit for best results.**
  - For 8 oz. Kettle: #382PCORN2410
  - For 12 oz. Kettle: #382PCORN2416
- If using kernels and oil, refer to the chart to the right for appropriate ratios.
- **CAUTION:** Butter in the kettle may burn. It is best to use oil specifically made for popcorn poppers.
- **CAUTION:** Sugar can cause damage to the pot, smoking, and even injury. Use at your own risk.
- **CAUTION:** Popcorn kernels with seasoning or salt may cause hot oil to splatter.

OIL	POPCORN
~2 TBSP.	1/4 Cup (2 oz.)
~3 TBSP.	1/2 Cup (4 oz.)
~4 TBSP.	3/4 Cup (6 oz.)

### Making Popcorn

1. Switch ON the Stirrer, Kettle, and Warming & Light heater control switches (Fig. 9).
  2. Turn on the heat and let it get to the appropriate temperature.
  3. Allow 3–4 minutes for the kettle to get to the appropriate temperature.
  4. Add the appropriate amount of kernels to the kettle.
  5. Immediately after adding the kernels, add the appropriate amount of oil.
- ⚠ WARNING!** Always add corn to the kettle before adding oil. Failure to do so may result in the oil being heated too rapidly resulting in a fire.
6. Lower the kettle lid.
  7. Carefully close the doors on the main unit.
  8. Kernels will typically begin popping after 1-3 minutes. Popcorn will start popping out through the lid of the popping kettle.
  9. When there are no more popping sounds from the kettle, popping is complete (about 5-7 minutes).
  10. Switch OFF the Stirrer and Kettle Heater control switches.
  11. Rotate the handle on the kettle counterclockwise to pour out all remaining popcorn from the kettle.  
**CAUTION:** Kettle will be HOT!
  12. Use the popcorn scoop provided to serve your popcorn. Access the main cavity via the tilting panel door at the bottom of the unit.
  13. Repeat steps 1-11 to continue making popcorn.
  14. Keep Stirrer and Kettle Heater control switches OFF if you are not continuing to use the unit to make popcorn.
  15. Switch OFF Warming & Light control switch and unplug unit when finished with use.
  16. Follow cleaning steps on page 7.



# Popcorn Poppers

## User Manual



## Cleaning & Maintenance

- ALWAYS unplug and allow unit to cool completely before cleaning.
- DO NOT use any acidic, citrus-based, or abrasive cleaners on the acrylic doors, as they might cause scratching or dullness.
- DO NOT immerse the kettle into water or place in dishwasher.

### Daily Cleaning

1. Frequently empty the catch tray of unpopped popcorn kernels and clean with soap and water. Dry thoroughly.
2. With a clean, damp cloth, wipe the doors, glass, and metal surfaces.
3. Use a wet cloth to clean the kettle surface inside and out.
4. Let the unit dry thoroughly before plugging it back in and operating.

### Kettle Cleaning

- Frequent cleaning of the popcorn kettle is strongly recommended. This will prevent burning of excess oils on the bottom of the kettle.
1. Add 1½-2 cups of hot water into the kettle (no detergent is necessary).
  2. Place a towel in the bottom of the main unit and place a large bowl or container on the towel (the container must be large enough to easily pour water from the popcorn kettle).
  3. Plug the unit in and turn ON the Stirrer & Kettle Heater switches.
  4. Bring the water to a boil for 1-2 minutes.
  5. Turn OFF the Stirrer and Kettle Heater switches and carefully pour the water from the popcorn kettle to the bowl or container.  
**CAUTION:** Kettle and water will be HOT!
  6. Repeat procedure 2-3 times for best results.

### Compatible Cleaning Products

- Noble Chemical Formula D Decarbonizer & Degreaser (#147FORMULAD)
- Carnival King Kettle Kleen Popcorn Kettle Cleaner (#382KETTLEKLN)
- Noble Chemical Reflect Glass Cleaner (#147REFLECT)

### Kettle Removal

If you need to remove the kettle for cleaning:

1. Make sure unit is NOT connected to a power supply. UNPLUG power cord.
2. Allow unit to cool completely.
3. To remove: Reverse steps 1-5 (on page 4).

### Troubleshooting

PROBLEM	CAUSE	SOLUTION
KETTLE WILL NOT HEAT	Motor, light, or any of the other components do not work.	Check power supply: <ul style="list-style-type: none"> <li>• Is it plugged in?</li> <li>• Is the receptacle live?</li> <li>• Is the machine plugged into proper voltage?</li> </ul>
	Kettle plug is not connected properly.	See page 4, Fig. 5. Ensure the kettle plug is properly connected and snapped into place.
	Kettle elements are bad.	Replace kettle.
NOT ALL KERNELS ARE POPPED OR KERNELS ARE BURNING	Too much oil or too many kernels have been added.	Ensure you are adding the correct amount of kernels and oil for the kettle size.
	Agitator is not working or jammed.	<ul style="list-style-type: none"> <li>• Unplug and turn OFF unit.</li> <li>• Let it cool.</li> <li>• Check to see if grease, kernels, or other debris is jamming agitator (both under and on the sides).</li> </ul>
	Motor is not working.	Replace motor.
HEAT SHUTS OFF EARLY	Too much oil has been added.	Running unit with too much oil will cause the high temperature limit to shut off the kettle. Ensure you are adding the correct amount of oil for the kettle size.
	Heating kettle without kernels.	Running unit with no kernels will cause the high temperature limit to shut off the kettle. Ensure you are adding the correct amount of kernels for the kettle size.