



BD48-BSS-LR
shown with optional stainless steel top

Back Bar Dry Storage Cabinets (Non-Refrigerated)

- 35" high without top, 36" high with optional 1" stainless steel top
- 24" front to back depth (25" with top)
- Stainless steel handles with built-in locks
- Choice of door styles and finish (see configuration table below)
- Heavy duty doors with built-in locks
- All stainless steel, coved corner interior
- NSF epoxy coated durable shelves
- 1 bottom & 2 adjustable shelves per door
- Pre-drilled bottom for optional legs or casters
(uses 1/4-20 self tapping 1/2"L screw)

Back Bar Dry Storage Cabinet Configuration Table

Use this configuration table to create your back bar refrigerator. Choose a Letter in each numbered category to build your model number. See below example.

No.	Category	Letter	Description
1	Base Model	BD24	24"W 1-Door
		BD48	48"W 2-Door
		BD72	72"W 3-Door
2	Door Finish	B	Black Vinyl
		S	Stainless Steel
3	Top Finish	N	Unfinished
		S	Stainless Steel
4	Cabinet Sides	S	Stainless Steel
5	Door Hinge	L	Left Hinge
		R	Right Hinge

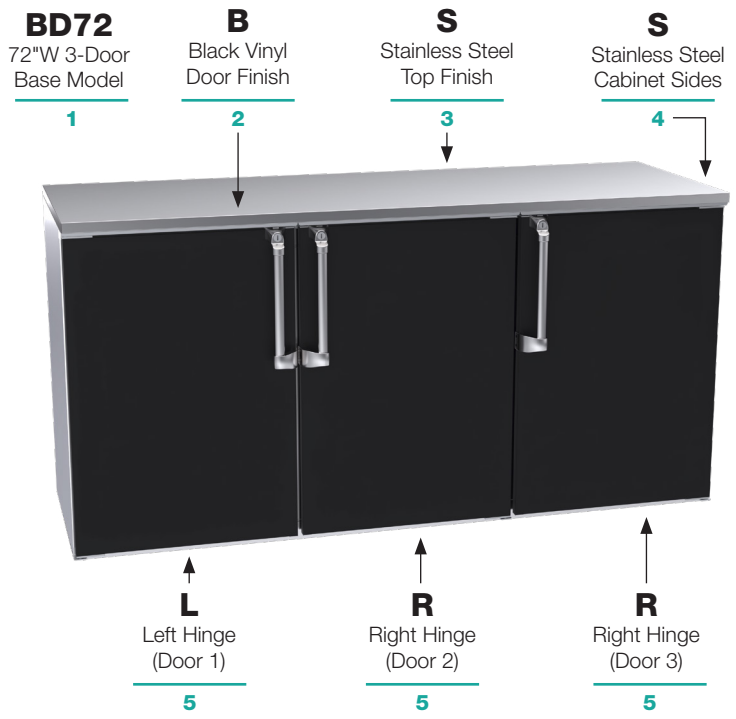
NOTE

- Back Bar units are built to order and cannot be returned
- Legs are required when ordering kick plates
- Casters raise height 1" higher than wheel size

Sample Three Door Model Number

BD72-BSS-LRR
1 2 3 4 5 5 5

Choose a Letter in each numbered category to build your model number.



Back Bar Dry Storage Options

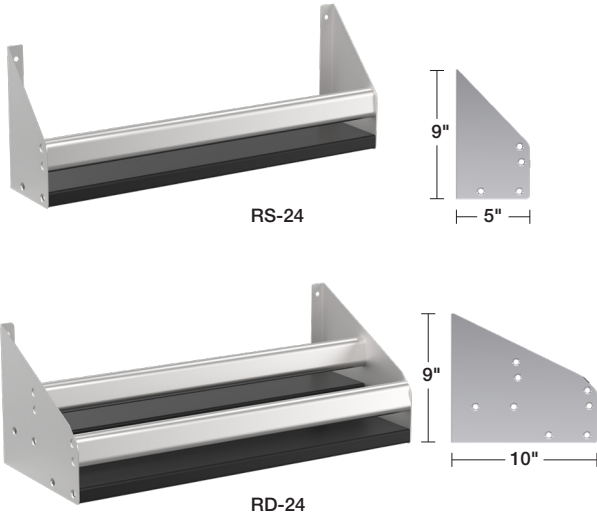
Model	Description
BS-100	6" Stainless Steel Legs (Set of 4)
BS-101	6" Stainless Steel Legs (Set of 6)
BS-102	4" Stainless Steel Legs (Set of 4)
BS-103	4" Stainless Steel Legs (Set of 6)
BS-106	Left Side Stainless Steel Kick Plate
BS-107	Right Side Stainless Steel Kick Plate
BS-124	24" Stainless Steel Front Kick Plate
BS-148	48" Stainless Steel Front Kick Plate

Model	Description
BS-160	60" Stainless Steel Front Kick Plate
BS-172	72" Stainless Steel Front Kick Plate
BS-500	Blue LED Light
BS-501	Warm White 3500K LED Light
BC-130	2" Overall Casters (1" Wheels, Set of 4)
BC-131	2" Overall Casters (1" Wheels, Set of 6)
BC-132	3" Overall Casters (2" Wheels, Set of 4)
BC-133	3" Overall Casters (2" Wheels, Set of 6)

Model	Description
BC-134	4" Overall Casters (3" Wheels, Set of 4)
BC-135	4" Overall Casters (3" Wheels, Set of 6)
BC-136	5" Overall Casters (4" Wheels, Set of 4)
BC-137	5" Overall Casters (4" Wheels, Set of 6)
BC-138	6" Overall Casters (5" Wheels, Set of 4)
BC-139	6" Overall Casters (5" Wheels, Set of 6)

Sound Deadened Built-in Speed Rails

- When purchased with equipment, speed rails are pre-drilled with hardware included for easy install.
- When purchased separately, no. 12 stainless steel sheet metal 5/8" long screws are required and are not included.
- Premium stainless dividers injected with sound deadening foam



Single Speed Rails

Model	Length	Depth	Bottle Capacity	Weight
RS-12	12"	5"	3	3
RS-18	18"	5"	5	3
RS-22	22"	5"	6	4
RS-24	24"	5"	7	4
RS-26	26"	5"	7	4
RS-28	28"	5"	8	5
RS-30	30"	5"	8	5
RS-32	32"	5"	9	6
RS-34	34"	5"	9	6
RS-36	36"	5"	10	7
RS-38	38"	5"	11	7
RS-40	40"	5"	11	7
RS-42	42"	5"	12	7
RS-46	46"	5"	13	8
RS-48	48"	5"	14	8
RS-54	54"	5"	15	9
RS-60	60"	5"	17	10
RS-66	66"	5"	19	11
RS-72	72"	5"	21	12
RS-78	78"	5"	23	13
RS-84	84"	5"	24	14
RS-90	90"	5"	25	15
RS-96	96"	5"	27	16

Double Speed Rails

Model	Length	Depth	Bottle Capacity	Weight
RD-12	12"	10"	6	8
RD-18	18"	10"	10	9
RD-22	22"	10"	12	10
RD-24	24"	10"	14	10
RD-26	26"	10"	14	10
RD-28	28"	10"	16	11
RD-30	30"	10"	16	11
RD-32	32"	10"	18	12
RD-34	34"	10"	18	12
RD-36	36"	10"	20	12
RD-38	38"	10"	22	13
RD-40	40"	10"	22	13
RD-42	42"	10"	24	14
RD-46	46"	10"	26	14
RD-48	48"	10"	28	14
RD-54	54"	10"	30	15
RD-60	60"	10"	34	16
RD-66	66"	10"	38	17
RD-72	72"	10"	42	18
RD-78	78"	10"	46	19
RD-84	84"	10"	48	20
RD-90	90"	10"	50	21
RD-96	96"	10"	54	22

Replacement Rails for Speed Rail

Model	Description
KR-SSR-TOP	Replacement Top/Front Rail (must specify size)
KR-SSR-BOT	Replacement Bottom Rail (must specify size)

Locking Covers for Speed Rails

- Keeps liquor securely locked in speed rail



KR-SC36
Shown on a 36" Ice Bin with a single speed rail

Single Locking Covers

Model	Length	Weight
KR-SC12	12"	3
KR-SC18	18"	4
KR-SC22	22"	4
KR-SC24	24"	5
KR-SC26	26"	5
KR-SC28	28"	6
KR-SC30	30"	6
KR-SC32	32"	7
KR-SC34	34"	7
KR-SC36	36"	8
KR-SC38	38"	8
KR-SC40	40"	8
KR-SC42	42"	9
KR-SC46	46"	9
KR-SC48	48"	10

Double Locking Covers

Model	Length	Weight
KR-DC12	12"	6
KR-DC18	18"	6
KR-DC22	22"	6
KR-DC24	24"	6
KR-DC26	26"	7
KR-DC28	28"	7
KR-DC30	30"	7
KR-DC32	32"	8
KR-DC34	34"	8
KR-DC36	36"	8
KR-DC38	38"	9
KR-DC40	40"	9
KR-DC42	42"	9
KR-DC46	46"	10
KR-DC48	48"	11

NOTE

- Locking Cover hangs under speed rail for storage. Locks are not included.
- Locking speed rail covers are built to order and cannot be returned.