



# StorageBins

A PURPOSE-BUILT ICE BIN – CLEANER BY DESIGN, EASIER TO USE, AND BUILT TO LAST.

## FEATURES

- **Exterior:** TrueTech® clear-coated aluminum with superior corrosion and fingerprint resistance; antimicrobial molded lid.
- **Interior:** 100% antimicrobial bin liner.
- **Insulation:** Environmentally friendly, high-density polyurethane foam for maximum ice retention.
- **Design:** Slow-close hinged lid and removable ice baffle.
- **Scoop:** Magnetic MagnaScoop® included; stores inside or outside the bin.



TIB-322-A-T-1



TIB-422-A-T-1



TIB-430-A-T-1



TIB-530-A-T-1



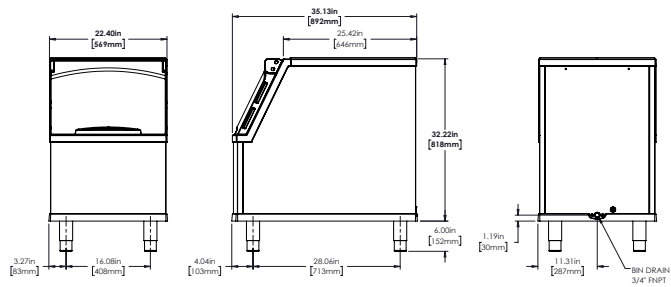
TIB-948-A-T-1



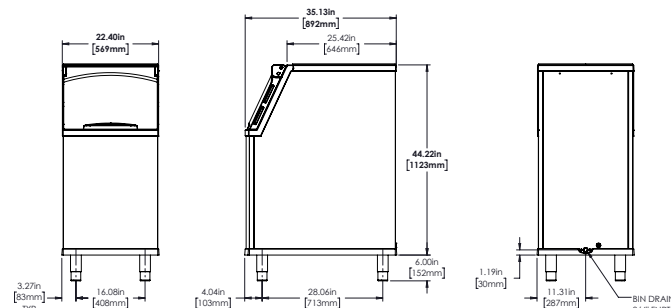
# Storage Bin | Specifications

## PLAN VIEWS

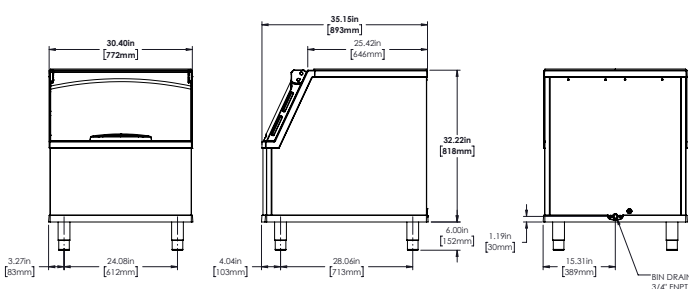
### TIB-322-A~T-1



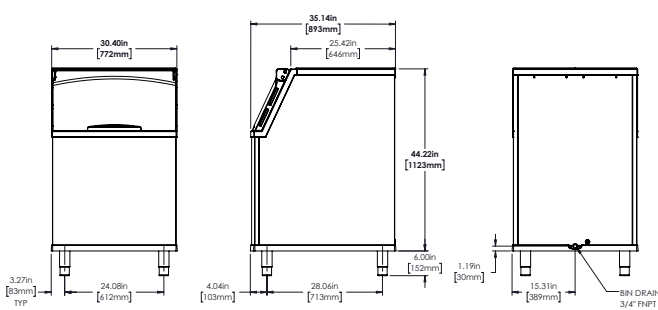
### TIB-422-A~T-1



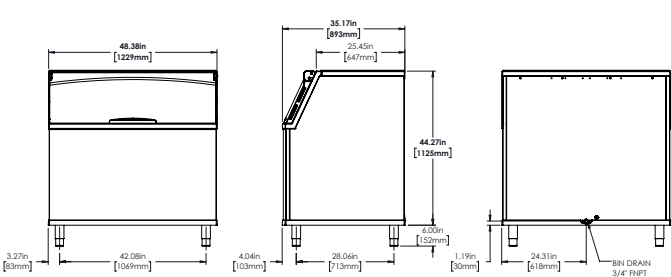
### TIB-430-A~T-1



### TIB-530-A~T-1



### TIB-948-A~T-1



## BIN ACCESSORIES

- 4" Bin Top Adapter for (2) 22" Machines on a 48" Bin (228243)
- 8" Bin Top Adapter for 22" Machine on a 30" Bin (228242)
- 18" Bin Top Adapter for 30" Machine on a 48" Bin (228244)

## CONNECTIONS

- Water Out: 3/4" Female NPT

Model	Capacity (lbs)	Dimensions (W x D x H*)	Cubic Volume (ft³)	Crated Weight (lbs)
TIB-322-A~T-1	250	22" x 35" x 38" (569 x 892 x 970 mm)	8.53	110
TIB-422-A~T-1	365	22" x 35" x 50" (569 x 892 x 1270 mm)	12.28	140
TIB-430-A~T-1	360	30" x 35" x 38" (772 x 864 x 970 mm)	12.13	150
TIB-530-A~T-1	515	30" x 35" x 50" (772 x 864 x 1270 mm)	17.45	180
TIB-948-A~T-1	865	48" x 35" x 50" (1279 x 889 x 1270mm)	29.09	230

\*Total height includes 6" legs.

