

# 40 QUART PLANETARY MIXER

## BOWL SCRAPER ATTACHMENT

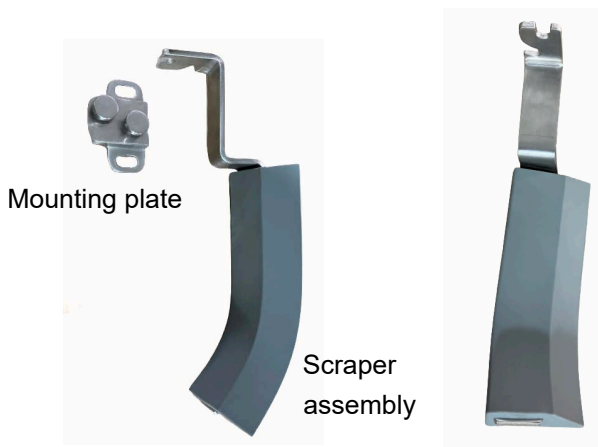
Installation & Operating Instructions – Rev B

---

### GENERAL DESCRIPTION

The bowl scraper accessory continuously wipes the inner surface of the stainless steel bowl while the agitator rotates. Product accumulating along the side wall and base is consistently reintroduced into the mixture, eliminating the need for periodic manual scraping. This attachment is suitable for batters, creams, and medium-viscosity mixtures. It is not intended for dough mixing applications.

Figure 1 – Components Supplied



### INSTALLATION PROCEDURE

- 1 Disconnect mixer from electrical supply.
- 2 Lower bowl fully.
- 3 Clean planetary mounting surface before installation.

#### Mounting Plate Installation

The mounting bracket is designed to mount using these two bolts.

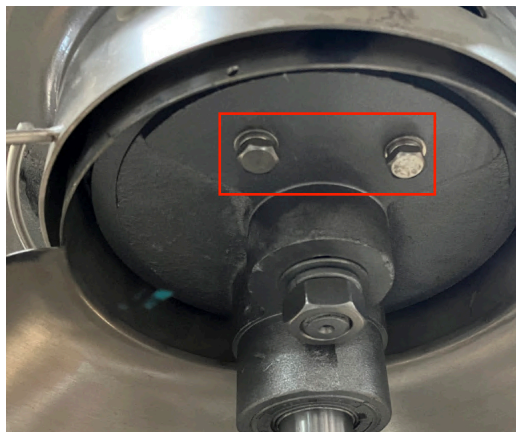


Figure 2 – Planetary Bolt Location

- 1) Position the mounting plate against the underside of the planetary hub.
- 2) Align bolt holes with threaded inserts and install supplied fasteners.
- 3) Tighten evenly until plate seats flush against the planetary face.



- 4) The scraper arm twist locks into position and have no additional fasteners.
- 5) Lift the bowl and ensure the scraper is touching the inner side wall of the bowl