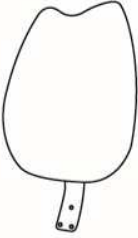
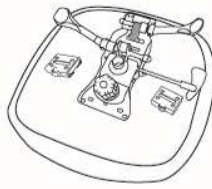
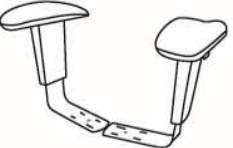



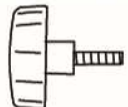
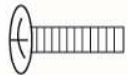
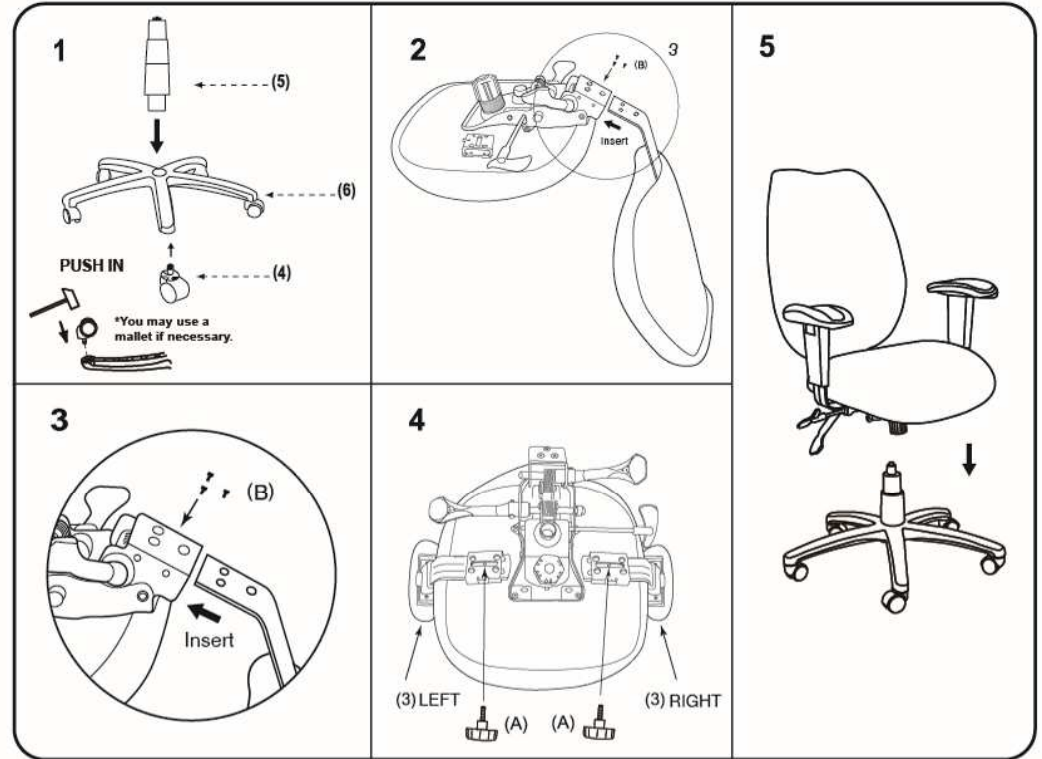


**IMPORTANT NOTICE:  
HARDWARE PACKAGE IS ATTACHED  
ON THE BOTTOM OF SEAT CUSHION.**

MODEL : B1002

(1)x1  Back Cushion	(2)x1  Seat Cushion W/Mechanism	(3)x1 (L)x1 (R)  Right & Left Arm
(4)x5  Casters	(5)x1  Gas Lift W/ Cover	(6)x1  Base
(A)x2  M8 ARM BRACKET SCREW		
(B)x3  M8*22 L-BAR SCREW		



**Insert and loosely tighten all screws. When assembly is completed, fully tighten all screws before using. This chair is only intended for sitting. Any other use will void the warranty.**

