

INSTRUCTIONS FOR MAINTENANCE

BOBRICK SANITARY NAPKIN/TAMPON VENDORS – MODELS B-2706 and B-3706

MAINTENANCE

To load Dispensers:

Insert 20 napkin packages, measuring between 2-7/8" x 3/4" x 4-1/8" to 3-1/8" x 1-1/8" x 4-3/8" (73 x 19 x 105mm to 80 x 29 x 111mm) in the napkin magazine (see Advisory Bulletin TB-25). Then insert 30 tampons, measuring between 4-5/8" long x 9/16" diameter minimum to 5-1/8" long x 3/4" diameter maximum (118 x 14mm to 130 x 19mm) in the tampon magazine.

To empty Coin Box: (25¢ and 50¢ only)

Unlock coin box lock with key provided and pull forward to remove. Empty coin box then reinsert coin box ensuring rectangular feet are fully inserted into coin box bracket mounting slots (see Fig. A). Lock coin box into place.

To dispense Napkin or Tampon:

Insert coin(s) in coin slot (25¢ and 50¢ only), push button as far as it will go and release. When *one* napkin or tampon is left, the napkin or tampon red *empty* indicator blocks the coin slot to prevent another coin from being inserted and indicates time to refill.

REPLACEMENT PARTS (refer to Fig. B)

(A) Product Tray Kit	3706-60
(B) Coin Box Kit	3706-344
(C) Door Assembly Kit, Free (includes Bezel Assemblies)	3706-256
(D) Door Assembly Kit, 25¢ (includes Bezel Assemblies)	3706-157
(E) Door Assembly Kit, 50¢ (includes Bezel Assemblies)	3706-158
(F) Coin Conversion Kit, Free, 25¢, 50¢ (includes Bezel Assemblies)	3706-240
(G) Tampon Bezel Assembly Kit Free	3706-288
(H) Napkin Bezel Assembly Kit Free	3706-289
(I) Tampon Bezel Assembly Kit 25¢	3706-191
(J) Napkin Bezel Assembly Kit 25¢	3706-192
(K) Tampon Bezel Assembly Kit 50¢	3706-193
(L) Napkin Bezel Assembly Kit 50¢	3706-194
(M) Tampon Magazine Assembly Kit Free	3706-294
(N) Napkin Magazine Assembly Kit Free	3706-295
(O) Tampon Magazine Assembly Kit 25¢	3706-205
(P) Napkin Magazine Assembly Kit 25¢	3706-206
(Q) Tampon Magazine Assembly Kit 50¢	3706-215
(R) Napkin Magazine Assembly Kit 50¢	3706-216
(S) Door Lock & Key (keyed to Cat 74)	383257
(T) Door Lock & Key (keyed to Cat 118 for added security)	3706-175
(U) Flange for Recessing	352-17

If vendor fails to work properly, ensure that:

1. Machine is loaded with correct size napkins and tampons.
2. Damaged napkins or tampons are not jamming mechanism.
3. Coin box is seated properly on coin box bracket. (25¢ and 50¢ only)
4. Coin box is not full. (25¢ and 50¢ only)

To replace individual Magazine Assembly:

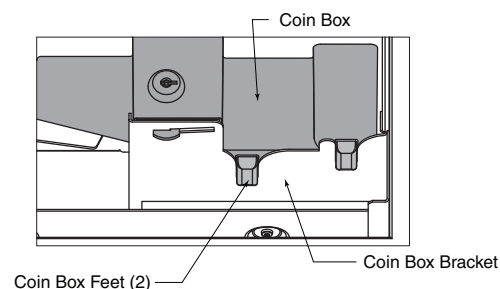
Order applicable Free, 25¢ or 50¢ Napkin and/or Tampon Magazine Assembly Kit. Remove napkins and/or tampons from vendor. Remove existing magazine by unscrewing two (2) hex nuts from each magazine assembly as indicated in figure B; install new magazine assembly using same hex nuts.

To convert coin denomination:

Order Part No. 3706-240 Coin Conversion Kit which includes two (2) Bezels, Label Sheet with Free, 25¢, and 50¢ labels, and lever assembly for each coin denomination. For complete set of instructions for conversion in the field, refer to Form No. 3706-261.

Note: If converting from Free to a coin operated vendor, a coin box kit, Part No. 3706-344 must be ordered separately.

Fig. A



IMPORTANT NOTE: (25¢ and 50¢ only) Ensure coin box round feet are engaged in coin box bracket.

To replace Bezel Assembly:

Remove existing bezels from the door by removing three (3) plastite screws from each bezel assembly on the door. Install new bezels ensuring that the locating pins are properly engaged and reinstall existing screws. Refer to replacement parts for correct Bezel assembly.

To replace Product Tray Kit:

Order Part No. 3706-60. Remove four (4) plastite screws from bottom of cabinet and remove tray. Install new tray using same screws. If unit is recessed, unit must be removed from wall to access screws for product tray replacement.

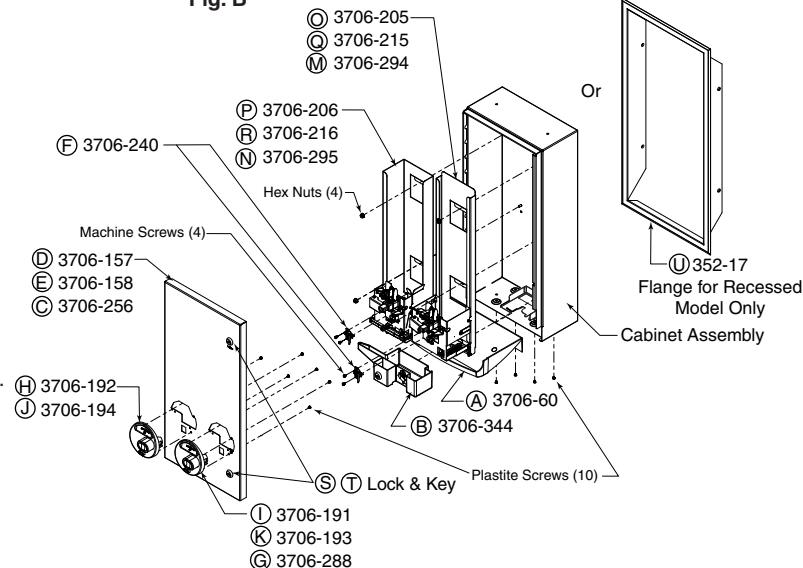
To replace Door Locks:

Order 2 each Part No. 383257 or 3706-175. Remove lock nut from inside of door. Install new locks, securing them with new lock nut.

To replace Door:

Order Part No. 3706-156 for Free operation, 3706-157 for 25¢ or 3706-158 for 50¢. Unlock and open door. Use nail or similar object to push hinge pin out of hinge knuckle and use pliers to pull hinge pin out. Remove door. Using same hinge pin, align hinge knuckles of new door with the cabinet and insert pin from top. Ensure hinge pin is aligned flush at top or bottom of hinge barrel and filed smooth.

Fig. B



In the U.S.A.: BOBRICK WASHROOM EQUIPMENT, INC.

200 Commerce Drive, Clifton Park, New York 12065-1350, Telephone: 518-877-7444 • FAX: 518-877-5029
11611 Hart Street, North Hollywood, California 91605-5882, Telephone: 818-982-9070 • FAX: 818-503-9287
or email Bobrickcustomerservice@bobrick.com

In Canada: BOBRICK WASHROOM EQUIPMENT COMPANY
45 Rolark Drive, Scarborough, Ontario M1R 3B1 • FAX: 877-423-8555

Product protected under U.S. Patent No's. 7,469,779 & 7,950,513;
Other U.S. and foreign Patents Pending



Installation Instructions for Adapter Flange Kit

Bobrick No. 3706-176

For use with Bobrick ADA-Compliant Push-Button Operated Napkin Tampon Recessed Vendors
 Model numbers B-3706 ClassicSeries®; B-37063, B-370634 TrimLineSeries™; B-4706, B-47064 ConturaSeries®

Adapter Flange, Bobrick Part No. 3706-176 allows for recessing Bobrick ADA-Compliant Push-Button Operated Napkin Tampon Recessed Vendors including B-3706 ClassicSeries, B-37063 and B-370634 TrimLineSeries, or B-4706 and B-47064 ConturaSeries into preexisting wall openings with larger dimensions. The rough wall opening for the new ADA-Compliant Push-Button Operated Napkin Tampon Vendors is 12-1/2" wide x 26-3/8" high (320 x 670mm).

A. Former Vendor: B-3500 Rough Wall Opening, 15-1/8" W x 25-1/2" H (385 x 650mm) (see Fig. A)

To install B-3706 ClassicSeries into a preexisting opening for the former B-3500:

- 1) Increase wall opening height to 26-3/8" (670mm) (see Fig. A).
- 2) Center 3706-176 Adapter Flange within new wall opening.
- 3) Insert Flange (furnished with B-3706 Vendor) and shim on both sides as to not bend the return flange.
- 4) Secure Vendor Flange through countersunk holes on sides.
- 5) Mount vendor through flange opening and secure through top and bottom.

To install B-37063 Recessed TrimLineSeries or B-4706 ConturaSeries into a preexisting opening for the former B-3500:

- 1) Increase wall opening height to 26-3/8" (670mm).
- 2) Slide 3706-176 Adapter Flange over cabinet.
- 3) Mount vendor centered in rough wall opening.

To install B-370634 Semi-Recessed TrimLineSeries or B-47064 Semi-Recessed ConturaSeries into a preexisting opening for the former B-3500:

- 1) Increase wall opening height to 26-3/8" (670mm).
- 2) Slide Stainless Steel Skirt over cabinet.
- 3) Slide 3706-176 Adapter Flange over cabinet behind the skirt.
- 4) Mount vendor centered in rough wall opening.

B. Former Vendor: B-43500 Rough Wall Opening, 15-3/4" W x 26-1/4" H (400 x 650mm) (see Fig. B)

To install B-3706 ClassicSeries into a preexisting opening for the former B-43500:

- 1) Center 3706-176 Adapter Flange within existing wall opening.
- 2) Insert Flange (furnished with B-3706 Vendor) and shim on both sides as to not bend the return flange.
- 3) Secure Vendor Flange through countersunk holes on sides.
- 4) Mount vendor through flange opening and secure through top and bottom.

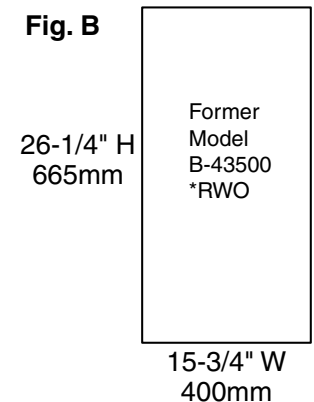
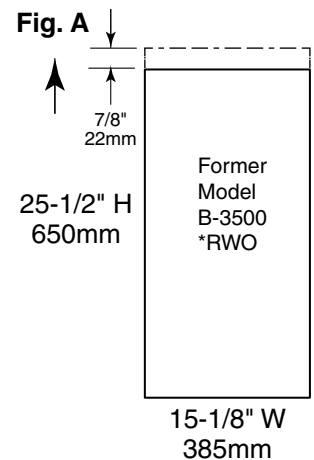
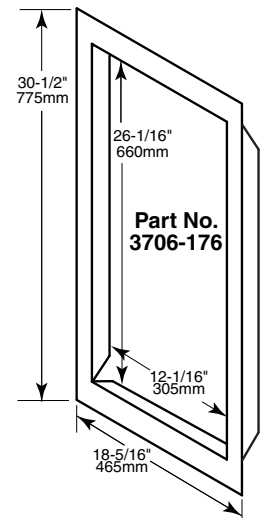
To install B-37063 Recessed TrimLineSeries or B-4706 ConturaSeries into a preexisting opening for the former B-43500:

- 1) Slide 3706-176 Adapter Flange over cabinet.
- 2) Mount vendor centered in rough wall opening.

To install B-370634 Semi-Recessed TrimLineSeries or B-47064 Semi-Recessed ConturaSeries into a preexisting opening for the B-43500:

- 1) Slide Stainless Steel Skirt over cabinet.
- 2) Slide 3706-176 Adapter Flange over cabinet behind the skirt.
- 3) Mount vendor centered in rough wall opening.

* RWO = Rough Wall Opening



In the U.S.A.: **BOBRICK WASHROOM EQUIPMENT, INC.**
 200 Commerce Drive, Clifton Park, New York 12065-1350 • Tel: 518/877-7444 • FAX: 518-877-5029
 11611 Hart Street, North Hollywood, California 91605-5882 • Tel: 818/982-9600 • FAX: 818-503-1102

In Canada: **BOBRICK WASHROOM EQUIPMENT COMPANY**
 45 Rolark Drive, Scarborough, Ontario M1R 3B1 • Ontario East: Tel: (877) 423-6555 • FAX: (877) 423-8555
 • Manitoba West: Tel: (877) 423-6444 • FAX: (877) 423-8444

INSTRUCTIONS FOR CONVERSION

BOBRICK ADA COMPLIANT SANITARY NAPKIN/TAMPON VENDOR

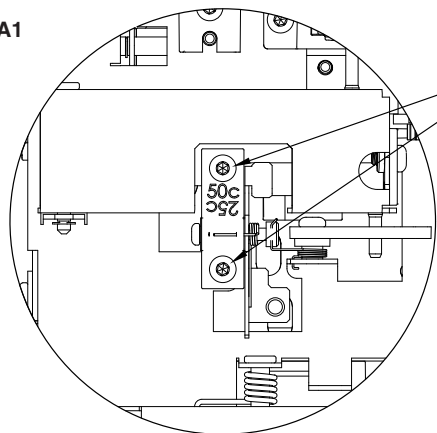
MODELS B-2706, B-3706, B-37063, B-370634, B-370639, B-4706, B-47064, B-47069

To Convert Coin Denomination:

From 25¢ to 50¢ or 50¢ to 25¢

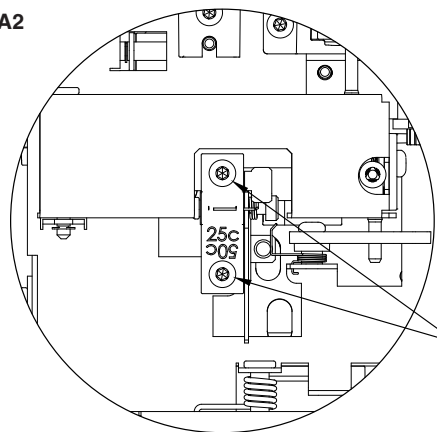
1. Remove two (2) machine screws (T15 Torx Drive) from each of the 25¢ Coin Return Lever Assemblies at the locations indicated in figure A.
- 2a. **For conversion from 25¢ to 50¢, order Part Number 3706-162:** Install 50¢ Coin Return Lever Assemblies (included with kit) so that the 50¢ embossment is on top (see figure A1) and reinstall screws.
- 2b. **For conversion from 50¢ to 25¢, order Part Number 3706-161:** Install 25¢ Coin Return Lever Assemblies (included with kit) so that the 25¢ embossment is on top (see figure A2) and reinstall screws.
3. Adhere coin label (included with kit) onto existing Bezels to match the coin denomination of the magazine. Adhere Napkin graphics label on left Bezel and Tampon graphics label on right Bezel.

Fig. A1



Machine Screws
(T15 Torx)

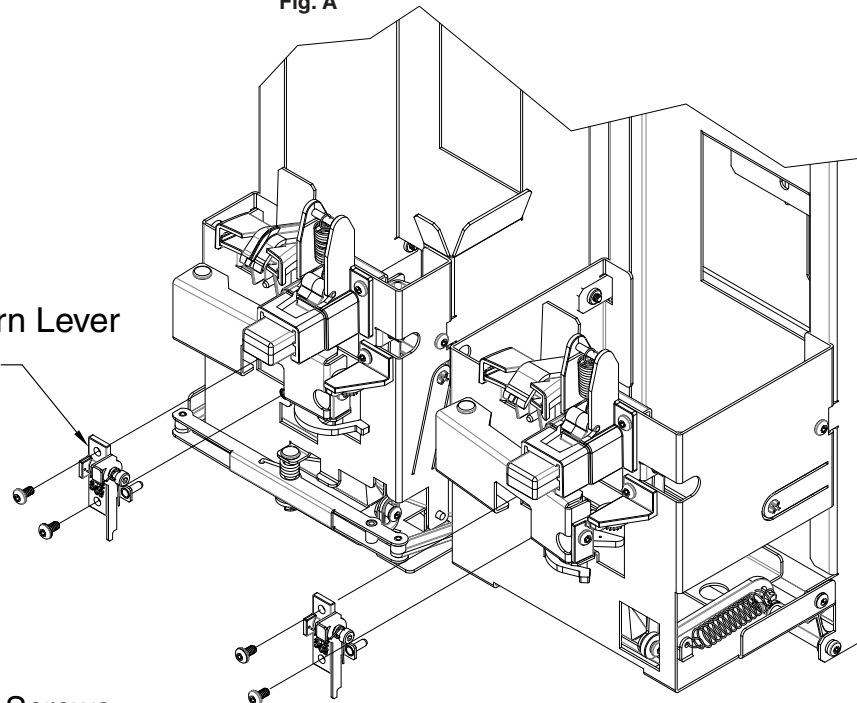
Fig. A2



Machine Screws
(T15 Torx)

Coin Return Lever
Assembly

Fig. A



In the U.S.A.: BOBRICK WASHROOM EQUIPMENT, INC.

200 Commerce Drive, Clifton Park, New York 12065-1350 • Tel: 518/877-7444 • FAX: 518-877-5029
11611 Hart Street, North Hollywood, California 91605-5882 • Tel: 818/982-9600 • FAX: 818-503-1102

In Canada: BOBRICK WASHROOM EQUIPMENT COMPANY

45 Rolark Drive, Scarborough, Ontario M1R 3B1 • Ontario East: Tel: (877) 423-6555 • FAX: (877) 423-8555 • Manitoba West: Tel: (877) 423-6444 • FAX: (877) 423-8444

INSTRUCTIONS FOR CONVERSION

BOBRICK ADA COMPLIANT SANITARY NAPKIN/TAMPON VENDOR

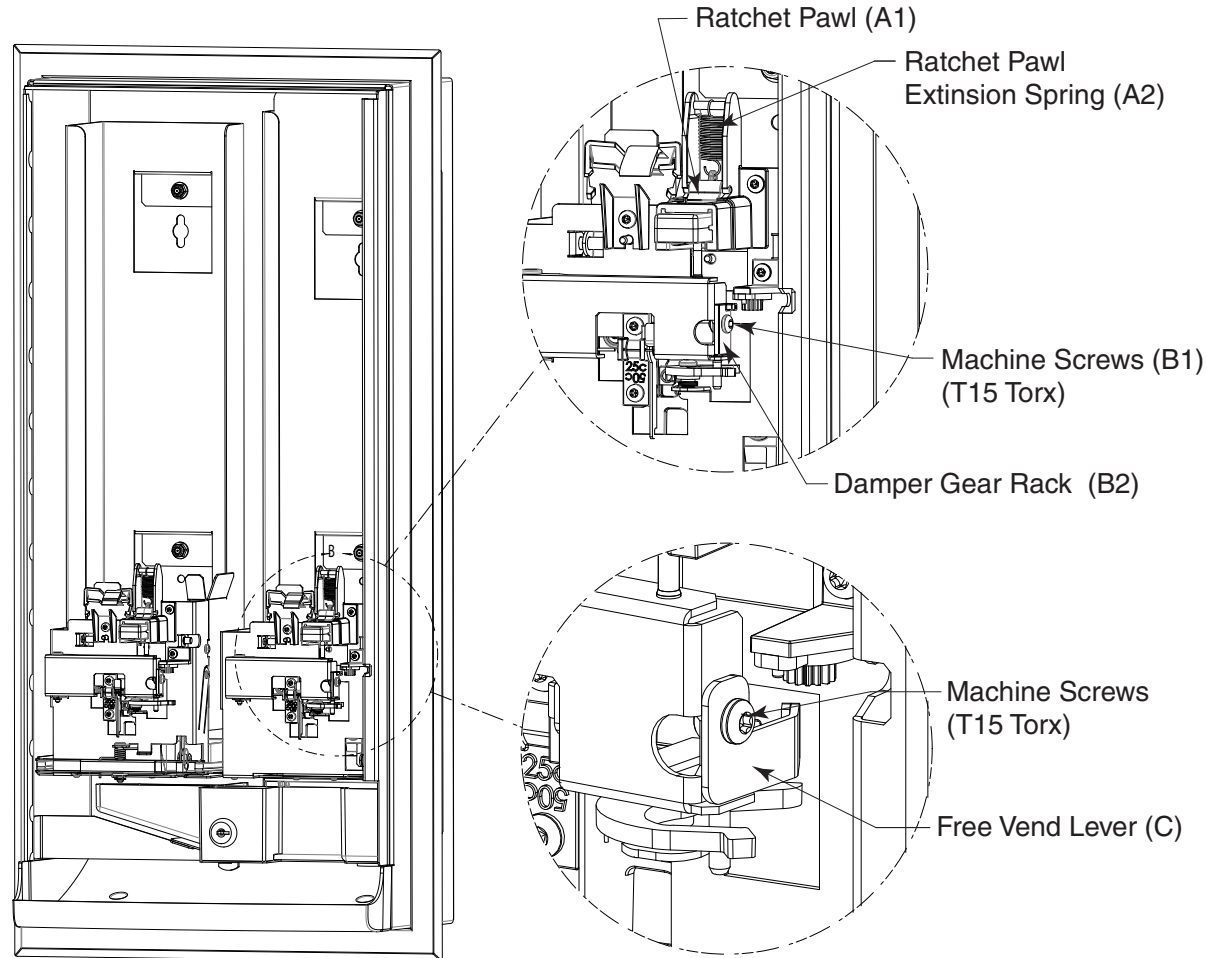
MODELS B-2706, B-3706, B-37063, B-370634, B-370639, B-4706, B-47064, B-47069

To Convert Coin Denomination:

From 25¢ or 50¢ to Free

1. Remove Ratchet Pawl Fig 1 (A1) and Extension Spring, Fig 1 (A2)
2. Remove Machine Screw Fig 1 (B1) and Damper Gear Rack Fig 1 (B2)
3. Install Free Vend Lever (included in kit) where Damper Gear Rack in Fig. 1 (B2) was removed. Hemmed tab of Damper Gear Rack must face the magazine (see figure 1 B1) and reinstall screw.

Fig. 1



In the U.S.A.: BOBRICK WASHROOM EQUIPMENT, INC.

200 Commerce Drive, Clifton Park, New York 12065-1350 • Tel: 518/877-7444 • FAX: 518-877-5029
11611 Hart Street, North Hollywood, California 91605-5882 • Tel: 818/982-9600 • FAX: 818-503-9287

In Canada: BOBRICK WASHROOM EQUIPMENT COMPANY

45 Rolark Drive, Scarborough, Ontario M1R 3B1 • FAX: (877) 423-8555

INSTRUCTIONS FOR MAINTENANCE

BOBRICK SANITARY NAPKIN/TAMPON VENDOR

MODELS B-2706, B-3706, B-37063, B-370634, B-370639, B-4706, B-47064, B-47069

TOOLS REQUIRED: T15 Torx Drive

REPLACEMENT PARTS

ClassicSeries® & TrimLineSeries™ Product Tray (1) and Plastite Screws (4)	3706-60
ConturaSeries® Product Tray (1) and Plastite Screws (4)	4706-60

To replace Product Tray:

To replace Product Tray on surface-mounted models, remove four (4) Plastite screws (T15 Torx Drive) from under the cabinet at the locations indicated in Figures A & B. Pull Product Tray forward and out of the cabinet. Fully insert new Product Tray inside cabinet so that the screw hole pattern at bottom of Product Tray aligns with holes located in the cabinet bottom and install with four (4) new screws. For Recessed or Semi-Recessed Models, Vendor Cabinet must be removed from the wall to gain access to Product Tray Screws. Refer to Figure C for cabinet mounting hole locations.

Fig. A

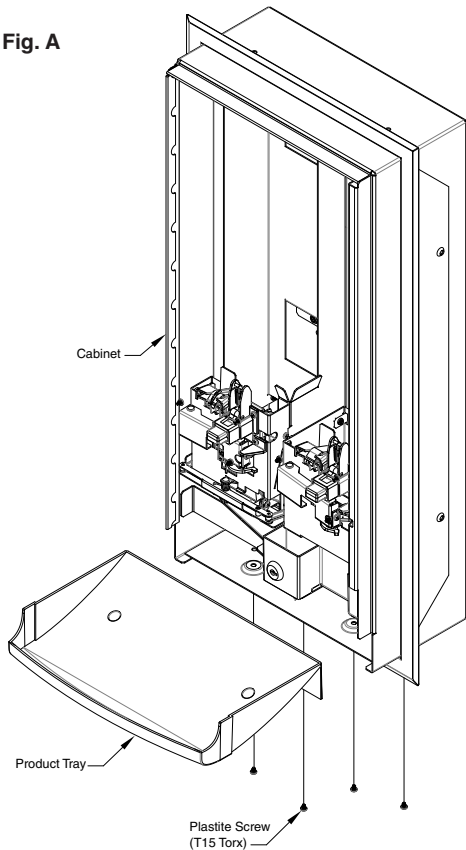


Fig. B

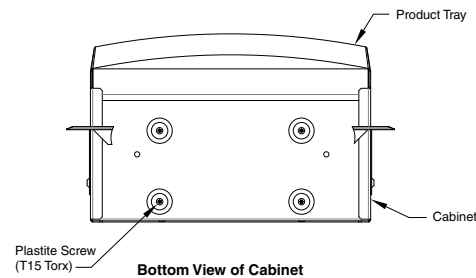
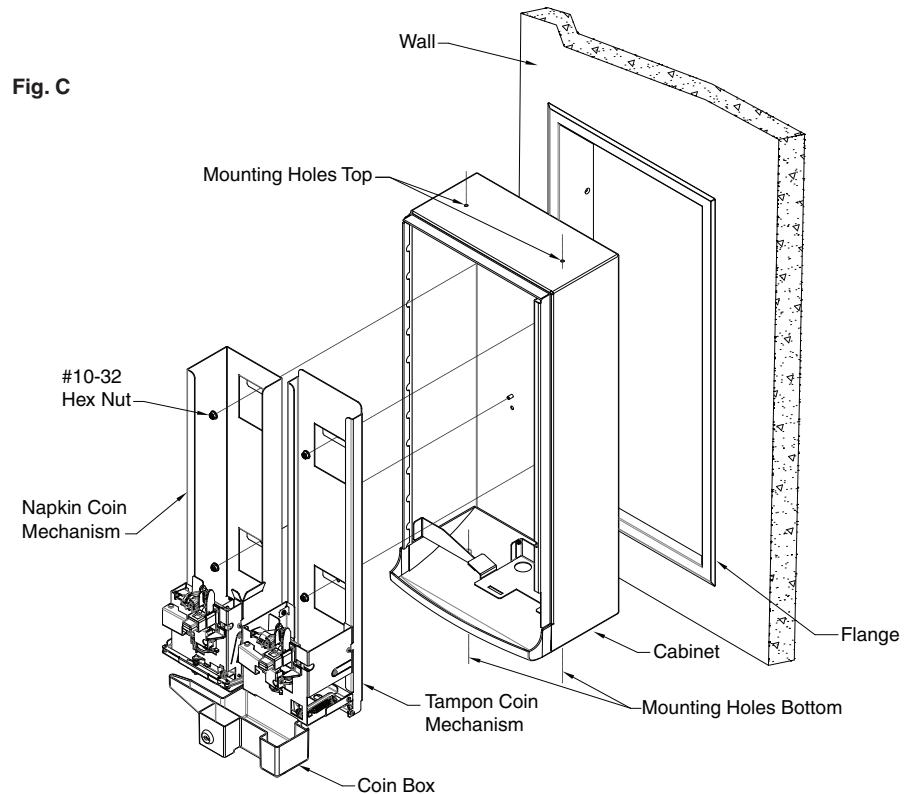


Fig. C



INSTRUCTIONS FOR MAGAZINE REPLACEMENT

BOBRICK ADA COMPLIANT SANITARY NAPKIN/TAMPON VENDOR

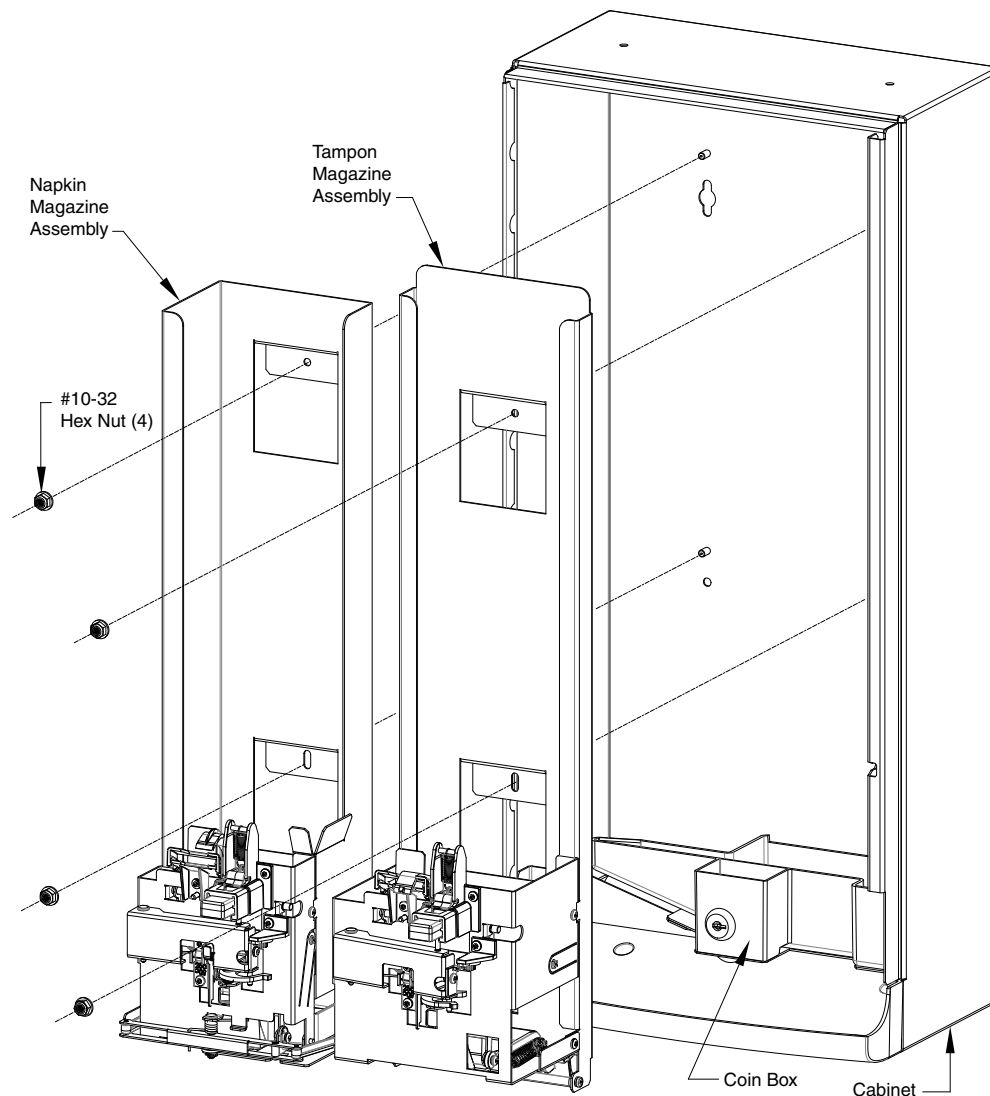
MODELS B-2706, B-3706, B-37063, B-370634, B-370639, B-4706, B-47064, B-47069

TOOLS REQUIRED: Ratchet with 3/8" Socket

To replace individual Magazine Assembly:

Note: Remove napkin boxes and/or tampon tubes from vendor before replacing Magazine Assemblies.

1. Unlock and remove Coin Box from unit.
2. Remove two (2) Hex nuts (#10-32) from each Napkin and Tampon Magazine Assemblies using a ratchet with 3/8" socket.
3. Pull Napkin Magazine forward and out of cabinet.
4. Pull Tampon Magazine forward and out of cabinet.
5. Install new Napkin and Tampon Magazine Assemblies into cabinet in the reverse order as they were removed and reinstall existing Hex nuts.
6. Replace Coin Box into position below magazines and lock in place.



REPLACEMENT PARTS

For ClassicSeries® Model Numbers B-2706, B-3706 and TrimLineSeries™ Model Numbers B-37063, B-370634, B-370639

Tampon Magazine Assembly Kit, 25¢	3706-205
Napkin Magazine Assembly Kit, 25¢	3706-206
Tampon Magazine Assembly Kit, 50¢	3706-215
Napkin Magazine Assembly Kit, 50¢	3706-216
Tampon Magazine Assembly Kit, Free	3706-294
Napkin Magazine Assembly Kit, Free	3706-295

For ConturaSeries® Model Numbers B-4706, B-47064, B-47069

Tampon Magazine Assembly Kit, 25¢	4706-205
Napkin Magazine Assembly Kit, 25¢	4706-206
Tampon Magazine Assembly Kit, 50¢	4706-215
Napkin Magazine Assembly Kit, 50¢	4706-216
Tampon Magazine Assembly Kit, Free	4706-294
Napkin Magazine Assembly Kit, Free	4706-295



In the U.S.A.: BOBRICK WASHROOM EQUIPMENT, INC.

200 Commerce Drive, Clifton Park, New York 12065-1350 • Tel: 518/877-7444 • FAX: 518-877-5029
11611 Hart Street, North Hollywood, California 91605-5882 • Tel: 818/982-9600 • FAX: 818-503-1102

In Canada: BOBRICK WASHROOM EQUIPMENT COMPANY

45 Rolark Drive, Scarborough, Ontario M1R 3B1 • Ontario East: Tel: (877) 423-6555 • FAX: (877) 423-8555
• Manitoba West: Tel: (877) 423-6444 • FAX: (877) 423-8444

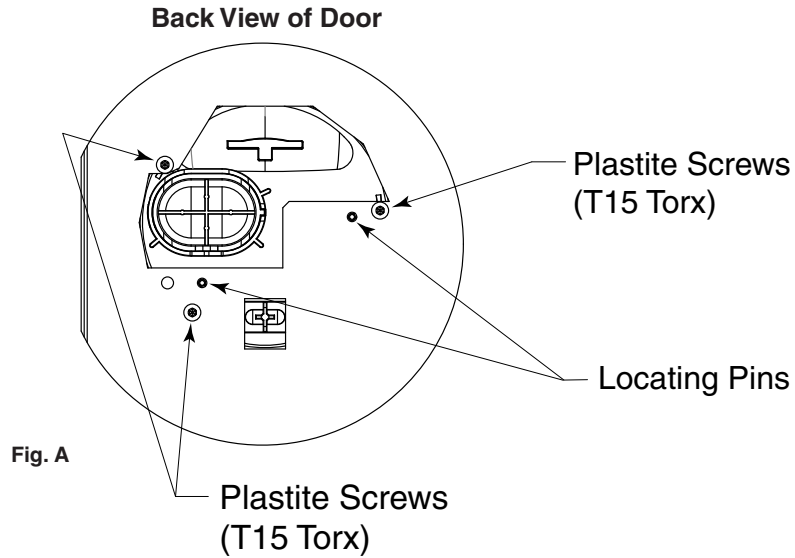
INSTALLATION INSTRUCTIONS FOR BEZEL ASSEMBLY

BOBRICK ADA COMPLIANT SANITARY NAPKIN/TAMPON VENDOR

MODELS B-2706, B-3706, B-37063, B-370634, B-370639, B-4706, B-47064, B-47069

To Replace Bezel Assembly:

Remove existing Bezels from the door by removing three (3) Plastite screws (T15 Torx Drive) from each Bezel assembly at the back of the door (see figures A & B). Install new Bezels ensuring that the locating pins are properly engaged in the door pilot holes and reinstall existing screws (see figures A & B).



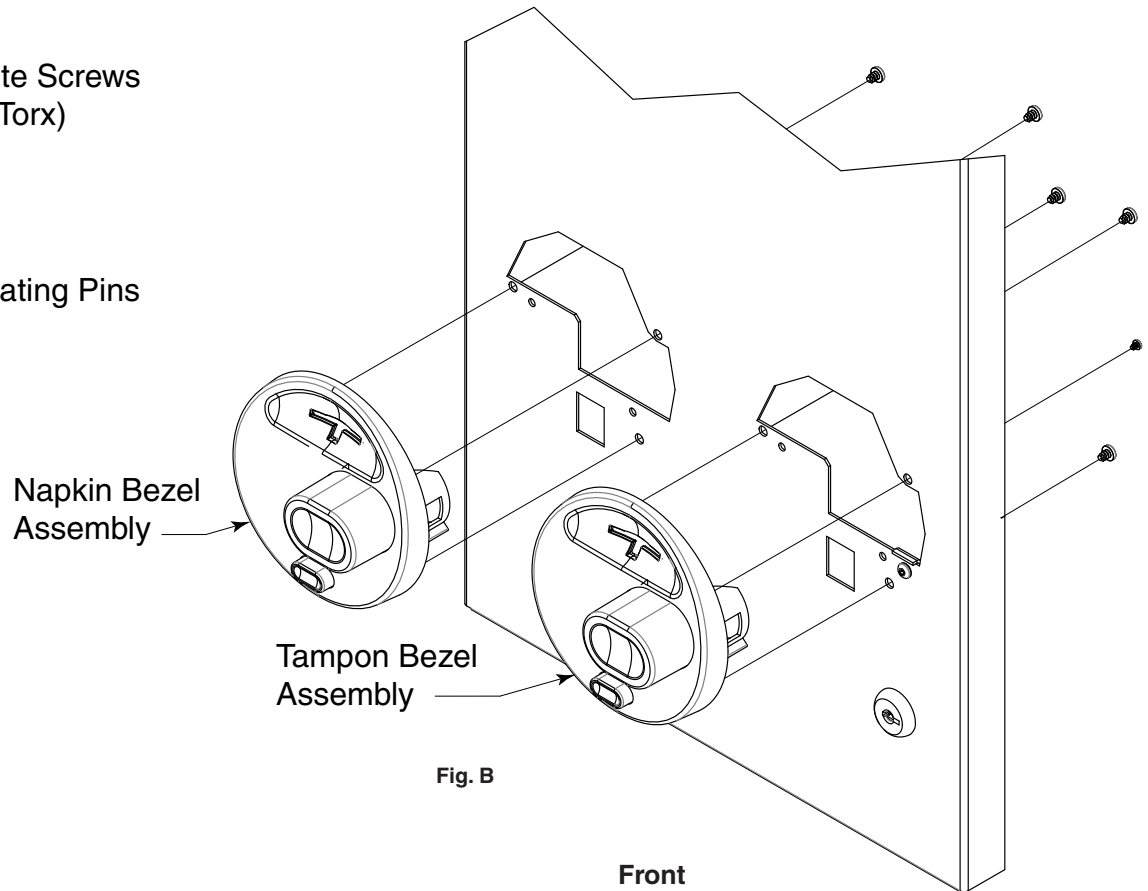
REPLACEMENT PARTS

For ClassicSeries® Model Numbers B-2706, B-3706 and TrimLineSeries™ Model Numbers B-37063, B-370634, B-370639

Tampon Bezel Assembly Kit, 25¢	3706-191
Napkin Bezel Assembly Kit, 25¢	3706-192
Tampon Bezel Assembly Kit, 50¢	3706-193
Napkin Bezel Assembly Kit, 50¢	3706-194
Tampon Bezel Assembly Kit, Free	3706-195 (Not shown)
Napkin Bezel Assembly Kit, Free	3706-196 (Not shown)

For ConturaSeries® Model Numbers B-4706, B-47064, B-47069

Tampon Bezel Assembly Kit, 25¢	4706-191
Napkin Bezel Assembly Kit, 25¢	4706-192
Tampon Bezel Assembly Kit, 50¢	4706-193
Napkin Bezel Assembly Kit, 50¢	4706-194
Tampon Bezel Assembly Kit, Free	4706-195 (Not shown)
Napkin Bezel Assembly Kit, Free	4706-196 (Not shown)



In the U.S.A.: BOBRICK WASHROOM EQUIPMENT, INC.

200 Commerce Drive, Clifton Park, New York 12065-1350 • Tel: 518/877-7444 • FAX: 518-877-5029
11611 Hart Street, North Hollywood, California 91605-5882 • Tel: 818/982-9600 • FAX: 818-503-1102

In Canada: BOBRICK WASHROOM EQUIPMENT COMPANY

45 Rolark Drive, Scarborough, Ontario M1R 3B1 • Ontario East: Tel: (877) 423-6555 • FAX: (877) 423-8555 • Manitoba West: Tel: (877) 423-6444 • FAX: (877) 423-8444