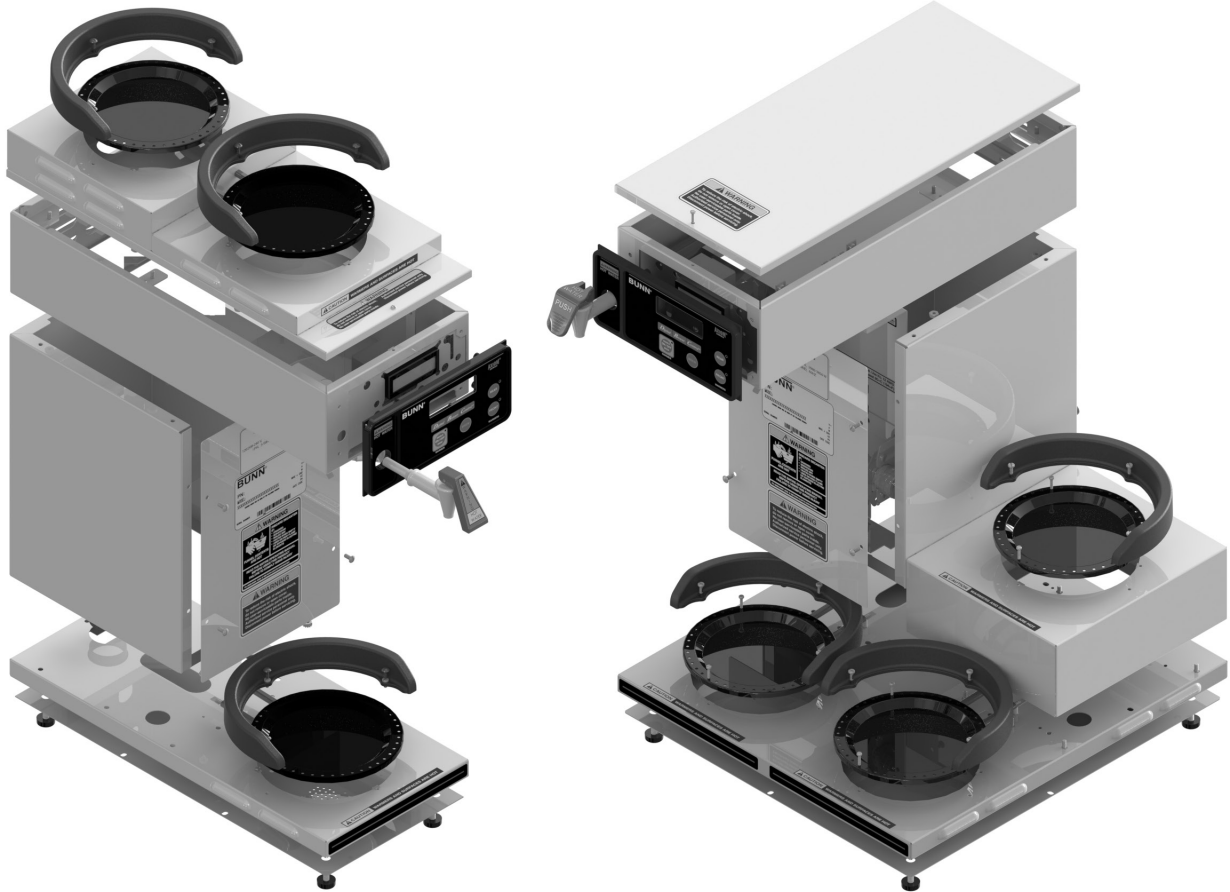


BUNN®

AXIOM® BrewWISE® SERIES



ILLUSTRATED PARTS CATALOG

Designs, materials, weights, specifications, and dimensions for equipment or replacement parts are subject to change without notice.

BUNN-O-MATIC CORPORATION
POST OFFICE BOX 3227
SPRINGFIELD, ILLINOIS 62708-3227
PHONE: (217) 529-6601 FAX: (217) 529-6644



BUNN-O-MATIC COMMERCIAL PRODUCT WARRANTY

Bunn-O-Matic Corp. ("BUNN") warrants equipment manufactured by it as follows:

- 1) Airpots, thermal carafes, decanters, GPR servers, iced tea/coffee dispensers, MCR/MCP/MCA single cup brewers, thermal servers and ThermoFresh® servers (mechanical and digital) 1 year parts and 1 year labor.
- 2) All other equipment - 2 years parts and 1 year labor plus added warranties as specified below:
 - a) Electronic circuit and/or control boards - parts and labor for 3 years.
 - b) Compressors on refrigeration equipment - 5 years parts and 1 year labor.
 - c) Grinding burrs on coffee grinding equipment to grind coffee to meet original factory screen sieve analysis - parts and labor for 4 years or 40,000 pounds of coffee, whichever comes first.

These warranty periods run from the date of installation BUNN warrants that the equipment manufactured by it will be commercially free of defects in material and workmanship existing at the time of manufacture and appearing within the applicable warranty period. This warranty does not apply to any equipment, component or part that was not manufactured by BUNN or that, in BUNN's judgment, has been affected by misuse, neglect, alteration, improper installation or operation, improper maintenance or repair, non periodic cleaning and descaling, equipment failures related to poor water quality, damage or casualty. In addition, the warranty does not apply to replacement of items subject to normal use including but not limited to user replaceable parts such as seals and gaskets. This warranty is conditioned on the Buyer 1) giving BUNN prompt notice of

any claim to be made under this warranty by telephone at (217) 529-6601 or by writing to Post Office Box 3227, Springfield, Illinois 62708-3227; 2) if requested by BUNN, shipping the defective equipment prepaid to an authorized BUNN service location; and 3) receiving prior authorization from BUNN that the defective equipment is under warranty.

THE FOREGOING WARRANTY IS EXCLUSIVE AND IS IN LIEU OF ANY OTHER WARRANTY, WRITTEN OR ORAL, EXPRESS OR IMPLIED, INCLUDING, BUT NOT LIMITED TO, ANY IMPLIED WARRANTY OF EITHER MERCHANTABILITY OR FITNESS FOR A PARTICULAR PURPOSE. The agents, dealers or employees of BUNN are not authorized to make modifications to this warranty or to make additional warranties that are binding on BUNN. Accordingly, statements by such individuals, whether oral or written, do not constitute warranties and should not be relied upon.

If BUNN determines in its sole discretion that the equipment does not conform to the warranty, BUNN, at its exclusive option while the equipment is under warranty, shall either 1) provide at no charge replacement parts and/or labor (during the applicable parts and labor warranty periods specified above) to repair the defective components, provided that this repair is done by a BUNN Authorized Service Representative; or 2) shall replace the equipment or refund the purchase price for the equipment.

THE BUYER'S REMEDY AGAINST BUNN FOR THE BREACH OF ANY OBLIGATION ARISING OUT OF THE SALE OF THIS EQUIPMENT, WHETHER DERIVED FROM WARRANTY OR OTHERWISE, SHALL BE LIMITED, AT BUNN'S SOLE OPTION AS SPECIFIED HEREIN, TO REPAIR, REPLACEMENT OR REFUND.

In no event shall BUNN be liable for any other damage or loss, including, but not limited to, lost profits, lost sales, loss of use of equipment, claims of Buyer's customers, cost of capital, cost of down time, cost of substitute equipment, facilities or services, or any other special, incidental or consequential damages.

392, A Partner You Can Count On, Air Infusion, AutoPOD, AXIOM, BrewLOGIC, BrewMETER, Brew Better Not Bitter, BrewWISE, BrewWIZARD, BUNN Espresso, BUNN Family Gourmet, BUNN Gourmet, BUNN Pour-O-Matic, BUNN, BUNN with the stylized red line, BUNNlink, Bunn-O-Matic, Bunn-O-Matic, BUNNserve, BUNNSERVE with the stylized wrench design, Cool Froth, DBC, Dr. Brew stylized Dr. design, Dual, Easy Pour, EasyClear, EasyGard, FlavorGard, Gourmet Ice, Gourmet Juice, High Intensity, iMIX, Infusion Series, Intellisteam, My Café, Phase Brew, PowerLogic, Quality Beverage Equipment Worldwide, Respect Earth, Respect Earth with the stylized leaf and coffee cherry design, Safety-Fresh, savemycoffee.com, Scale-Pro, Silver Series, Single, Smart Funnel, Smart Hopper, SmartWAVE, Soft Heat, SplashGard, The Mark of Quality in Beverage Equipment Worldwide, ThermoFresh, Titan, trifacta, TRIFECTA (stylized logo), Velocity Brew, Air Brew, Beverage Bar Creator, Beverage Profit Calculator, Brew better, not bitter., Build-A-Drink, BUNNSource, Coffee At Its Best, Cyclonic Heating System, Daypart, Digital Brewer Control, Element, Milk Texturing Fusion, Nothing Brews Like a BUNN, Picture Prompted Cleaning, Pouring Profits, Signature Series, Sure Tamp, Tea At Its Best, The Horizontal Red Line, Ultra are either trademarks or registered trademarks of Bunn-O-Matic Corporation. The commercial trifacta® brewer housing configuration is a trademark of Bunn-O-Matic Corporation.

TABLE OF CONTENTS

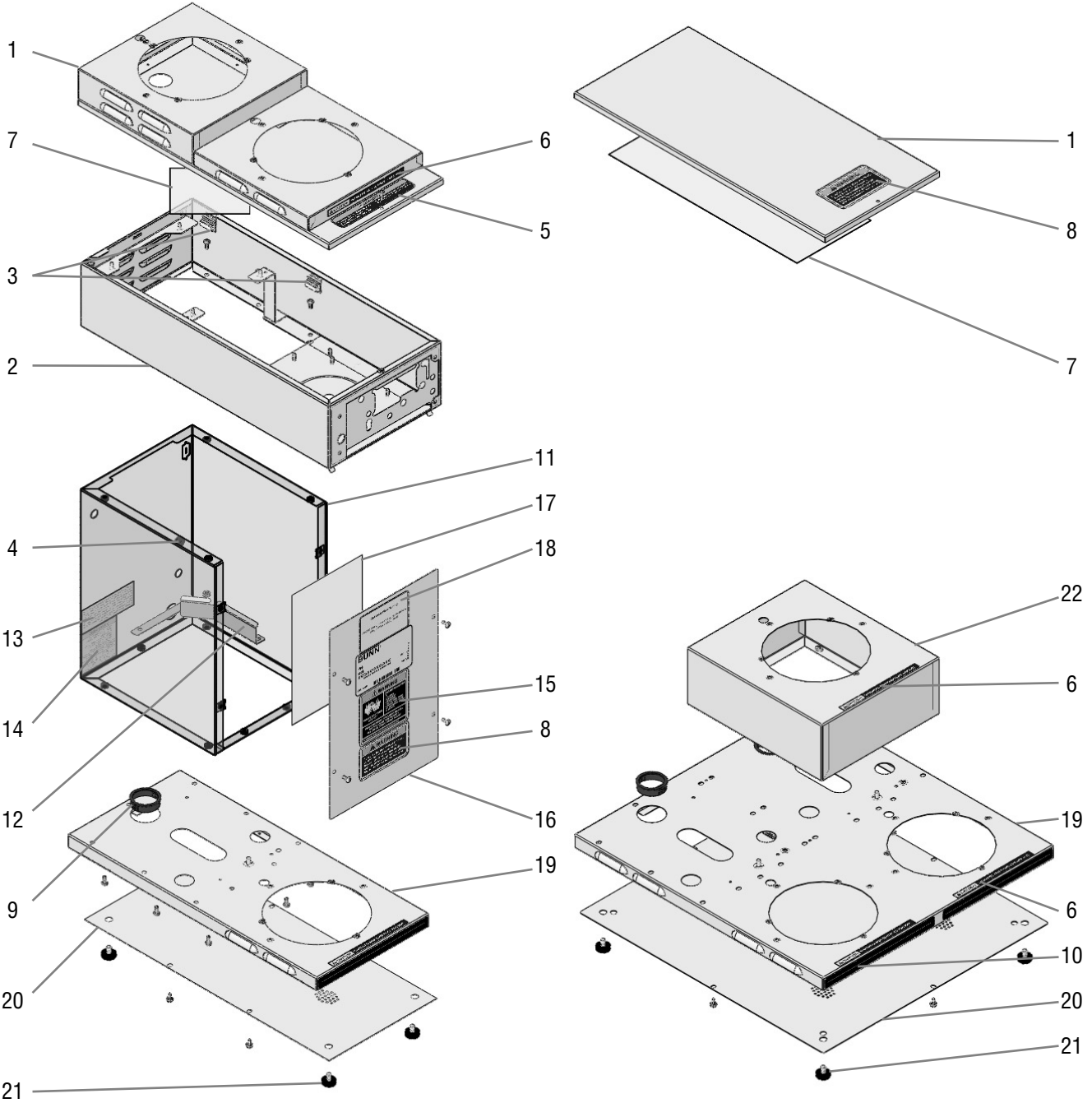
HOUSINGS.....	4
TANK AND COMPONENTS	6
DISPENSE VALVE, SPRAYHEAD, & FAUCET	8
FILL SOLENOID VALVE AND PLUMBING	10
WARMER & COIL ASSEMBLIES	12
FUNNEL	14
ELECTRICAL AND OPERATING CONTROLS	16
NUMERICAL INDEX	18

Explanation of codes:

- 15** - All components in machine are rated for 120 Volts ac, (15 Amps)
- 20** - All components in machine are rated for 120 Volts ac, (20 Amps)
- 35 (120/240V)** - Tank heater rated for 240 volts ac, all other components rated for 120 volts ac (20 Amps)
- DV** - Dual Voltage. 2 tank heaters with toggle switch
- “SINGLE AXIOM”** - Replaced “SINGLE CDBC” 15” trunk, brew station warmer only, FULL/HALF batch
- A** - All components in machine are rated for 240 volts ac.
- B** - All components are rated for either 100 volts ac, or 200 volts ac.
- CE** - All components are rated for 230 volts ac for use in Europe.
- TWIN** - 2 brewers in 1 chassis.
- APS** - Airpot Server (No warmers)
- TC** - Thermal Carafe (No warmers)
- TS** - Thermal Server (No warmers)

To order coffee filters, water filters, or other accessories, refer to Specification Sheets at www.bunn.com

Fraction	Decimal		Fraction	Decimal
1/16	0.063		9/16	0.563
1/8	0.125		5/8	0.625
3/16	0.188		11/16	0.688
1/4	0.250		3/4	0.750
5/16	0.313		13/16	0.813
3/8	0.375		7/8	0.875
7/16	0.438		15/16	0.938
1/2	0.500		1	1.000

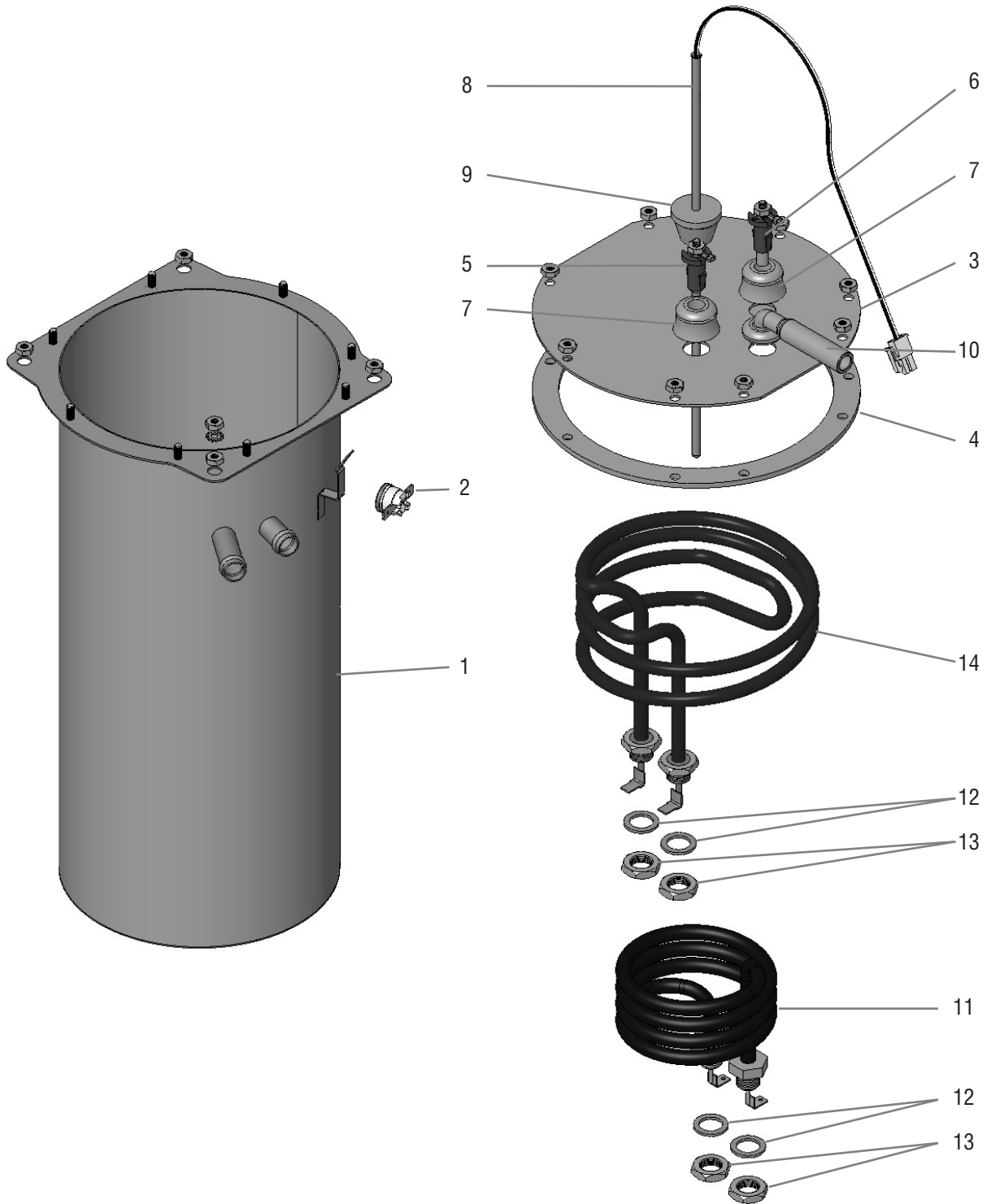


* Indicates the part number listed is OBSOLETE.

^ Indicates the part number listed is for reference only.

HOUSINGS

ITEM	PART NO.	QTY.	DESCRIPTION
1	40792.1001	1	Kit, 2 Warmer Weldment Top (Includes Items 5-7)
	34070.1001	1	Cover Assembly, No Warmer (Includes Items 5-7)
2	43467.1001	1	Kit, Hood SST w/cable clips
	02308.0000	6	Screw # 8-32 x .375"
3	35260.0001	3	Cable Clips
4	00669.0003	1	Plug, .437" Hole
5	37881.0002	1	Decal, No User Serviceable Parts
6	12364.0000	2/3	Decal, Caution-Warmers are Hot
7	25151.0001	1	Shield, Level Probe Insulator 4.0" x 4.0"
	25151.0007	1	Shield, Level Probe Insulator 5.25" x 13.375"
8	37881.0000	1	Decal, No User Serviceable Parts
9	01593.0000	1/2	Bushing, Snap 1.5" Dia. (2 Used on 3 LWR WMR Model)
10	22306.0000	1/2	Decal, Red Decorative Stripe
11	34061.1000	1	Trunk, SST, 11.69" (Includes 13-14)
	34061.1036	1	Trunk, SST, 11.69" (Includes Decals) CE Models Only
	02308.0000	9	Screw SST #8-32 x .38"
	00988.0000	6	Fastener, "U" Type #6-32
12	37930.0001	1	Channel, Cordset
	00970.0000	2	Nut, Keps #8-32
13	00656.0001	1	Decal, Compliance To Plumbing Code
14	00986.0000	1	Decal, Warning-Electrical
15	00658.0000	1	Decal, Warning-Decanter/Funnel
16	11408.1002	1	Panel, SST, 11.645" Standard (Includes 8 & 15)
	01382.0000	4	Screw, SST #6-32 x .375"
17	29077.0027	1	Schematic, Axiom-BrewWISE 230V CE
	29077.0028	1	Schematic, Axiom-BrewWISE 15, 20, 35, 120/208-240V
18	29710.0007	1	Decal, Optional Field Wiring (3 Warmer) (DV Only)
19	24806.1010	1	Base, 1 Warmer w/Decals, SST (Includes Items 6 & 10)
	24806.1012	1	Base, 1 Warmer w/Decals, SST CE Models Only
	12657.1012	1	Base, 3 Lower Right(Not Available)
	12657.1013	1	Base, 3 Lower Left (Not Available)
20	24805.0000	1	Plate, Base 1 Warmer
	12667.0003	1	Plate, Base 3 Warmer
	02332.0002	4	Screw, Hex-Crimptite #6-32 x .38"
21	25137.0000	4	Foot
	35712.0000	-	Set of 4 feet
22	12669.1013	1	Housing, Warmer (Not Available)
	02308.0000	7	Screw # 8-32 x .375"



* Indicates the part number listed is OBSOLETE.

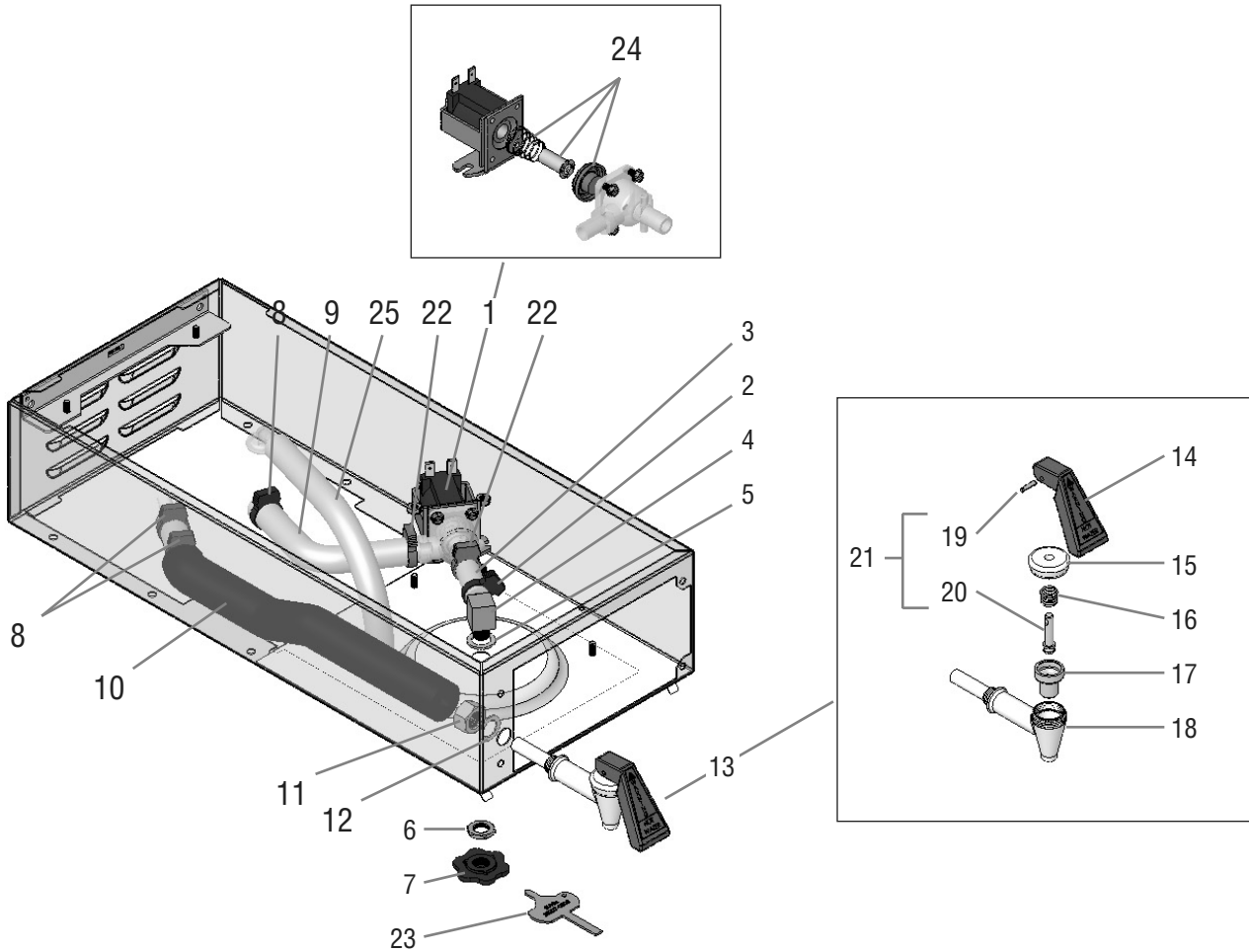
6 ^ Indicates the part number listed is for reference only.

TANK AND COMPONENTS

ITEM	PART NO.	QTY.	DESCRIPTION
1	33937.0004	1	Tank, DV (Two Heaters)
	00908.0000	5	Nut, #8-32
	01511.0000	1	Lockwasher, Ext. Tooth #8
2	29329.1000	1	Thermostat, Limit
3	28735.0002	1	Tank Lid, 2 - Probe
	00908.0000	8	Nut #8-32
4	04221.0000	1	Gasket, Tank Lid
5	07412.1002	1	Probe Kit, Liquid Level 1.25"
6	07412.1003	1	Probe Kit, Brew Logic 1.625" (Blue Dot)
7	38114.0000	2	Grommet
8	39085.0001	1	Probe, Temperature Sensor 10.5"
9	33801.0003	1	Grommet, Temperature Sensor
10	38969.0001	1	Fitting, 90° Silicone
11	02755.1000	1	Tank Heater 1425W, 120V (Includes item 12)
	05037.1000	1	Tank Heater 3500W, 240V (Includes item 12)
	02805.1000	1	Tank Heater 1850W, 240V (Includes item 12) CE Models
12	00943.0000	4	Gasket, Tank Heater
13	00942.0000	4	Nut, Brass .5"-20
14	29485.1001	1	Tank Heater 2268W, 120V (DV Only) (Includes item 12)

The Following Items Are Not Illustrated

15	34074.1020	1	Tank Kit, 3500W, 240V (Includes 1-4, 7, 9, 11-14)
	34074.1032	1	Tank Kit, 1425/2268W, (DV) (Includes 1-4, 7, 9, 11-14)
	34074.1041	1	Tank Kit, 1850W, 240V (CE) (Includes 1-4, 7, 9, 11-14)



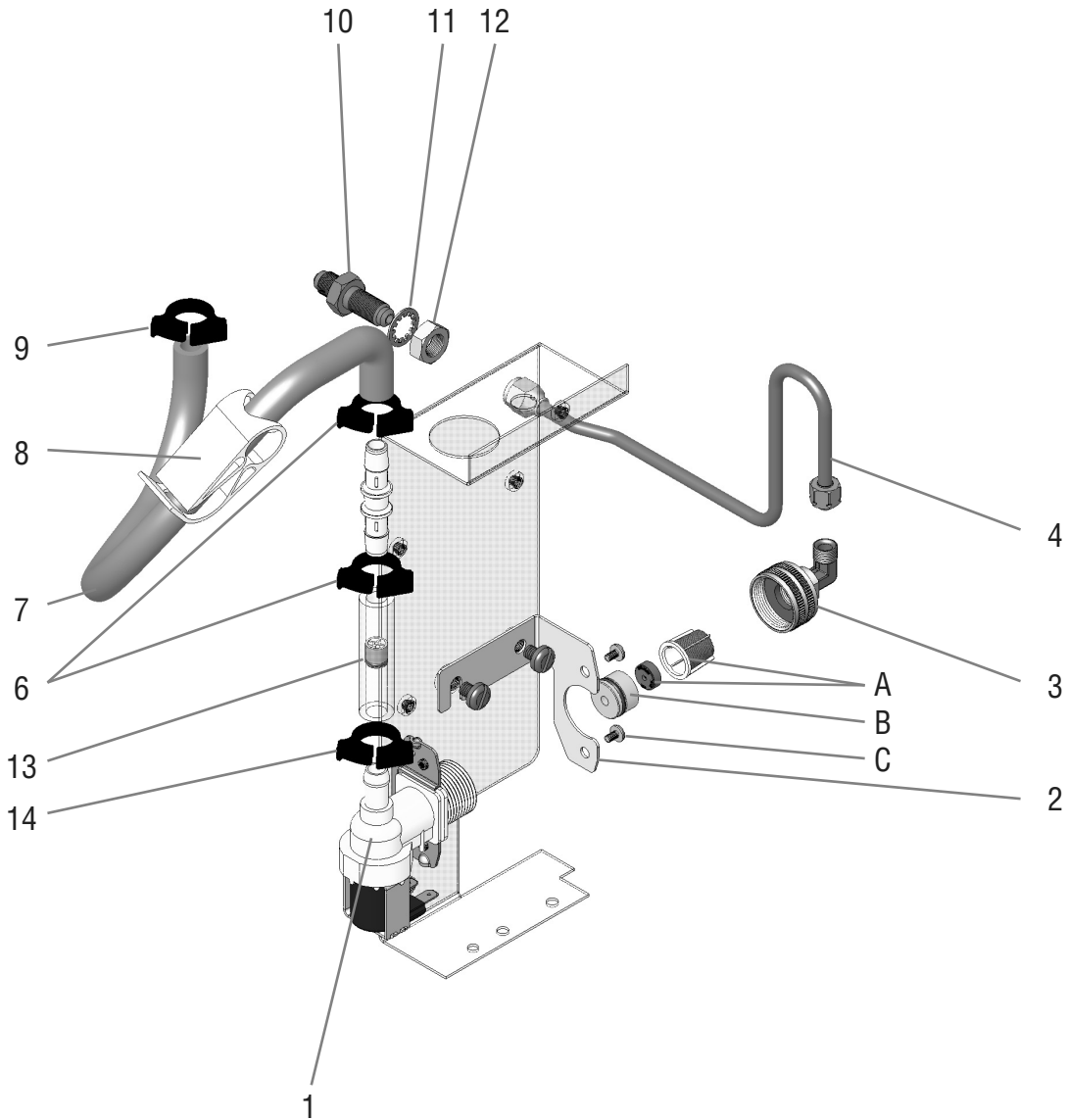
DISPENSE VALVE, SPRAYHEAD, & FAUCET

ITEM	PART NO.	QTY.	DESCRIPTION
1	27370.0000	1	Valve, Dispense (120v)
	27370.0002	1	Valve, Dispense (240v) CE
	00970.0000	2	Nut, KEPS #8-32
	11517.0008	-	Repair Kit, Dispense Valve (Includes Plunger, Spring and Diaphragm)
2	12422.0001	1	Clamp, SNP - 10 (2 Additional used in Pour In Models)
3	20976.0008*	1	Tube .375" ID x 1.625" (Order item 26)
4	39149.0001	1	Fitting
5	00943.0000	1	Gasket
6	01075.0000	1	Nut, Hex .438"-20
7	40670.0005	1	Sprayhead, 7 Hole
8	12422.0009	3	Clamp, SNP - 14
9	32591.0032*	1	Tube, Tank To Dispense Valve, .5" ID x .75" x LG 5" (Order item 25)
10	43226.1001	1	Kit, Tube Assy., HW Faucet
11	29264.0000	1	Nut, Hex .5"-20 UNF
12	01544.0000	1	Washer, .5" ID x .75" OD
13	29075.0000	1	Faucet Assembly. (Includes items 14 thru 21)
14	02861.0003	1	Handle, Red
15	02854.0000	1	Bonnet
16	02595.0000	1	Spring
17	02766.0000	1	Cup
18	02856.0005*	1	Faucet Body (Order item 13)
19	02858.0000	1	Pin, Spring
20	13054.0000	1	Stem
21	02594.0000	1	Faucet Stem w/Pin (Includes items 19 and 20)
22	12422.0005	2	Clamp, SNP - 12
23	38227.0000	1	Sprayhead Cleaning Tool
24	11517.0008	-	Repair Kit, Dispense Valve (Includes Plunger, Spring and Diaphragm)
25	32591.0013*	1	Tube, Vent, .5" ID x .75" x LG 7" (Order item 28)

The Following Items Are Not Illustrated

26	41499.1001	1	Dispense Tube Kit, Tank to Solenoid, All Models (Includes 8, 9, 23)
27	41499.1002	1	Dispense Tube Kit, Solenoid to Sprayhead, All Models (Includes 2 & 3)
28	32591.1001	-	Tube .50" ID x 1 Foot (Use as required)
	32591.1002	-	Tube .50" ID x 3 Feet (Use as required)
	32591.1003	-	Tube .50" ID x 10 Feet (Use as required)
	32591.1004	-	Tube .50" ID x 250 Feet (Use as required)

* Indicates the part number listed is for reference only. See DESCRIPTION for possible service replacement.



* Indicates the part number listed is OBSOLETE.

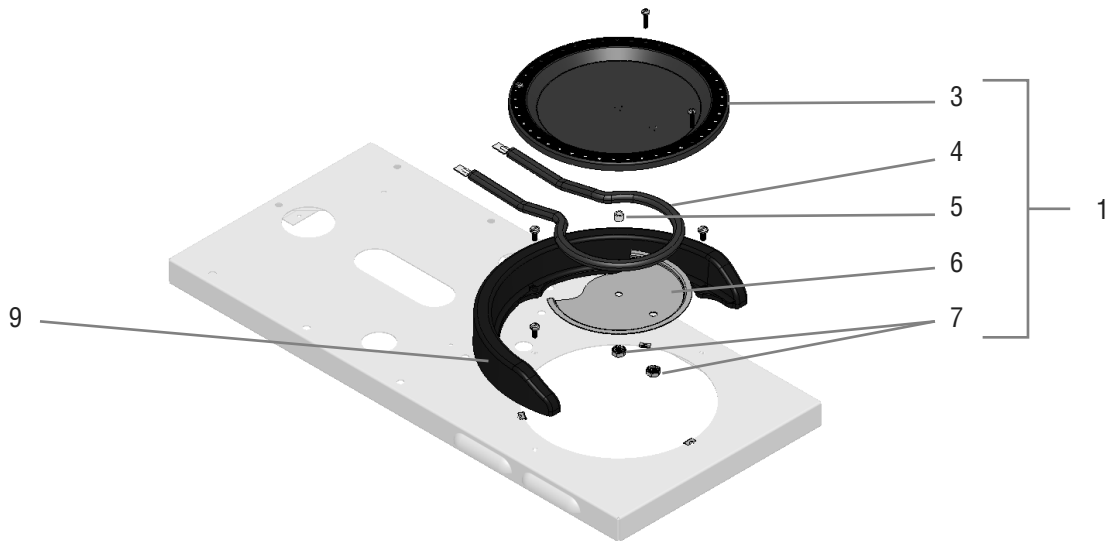
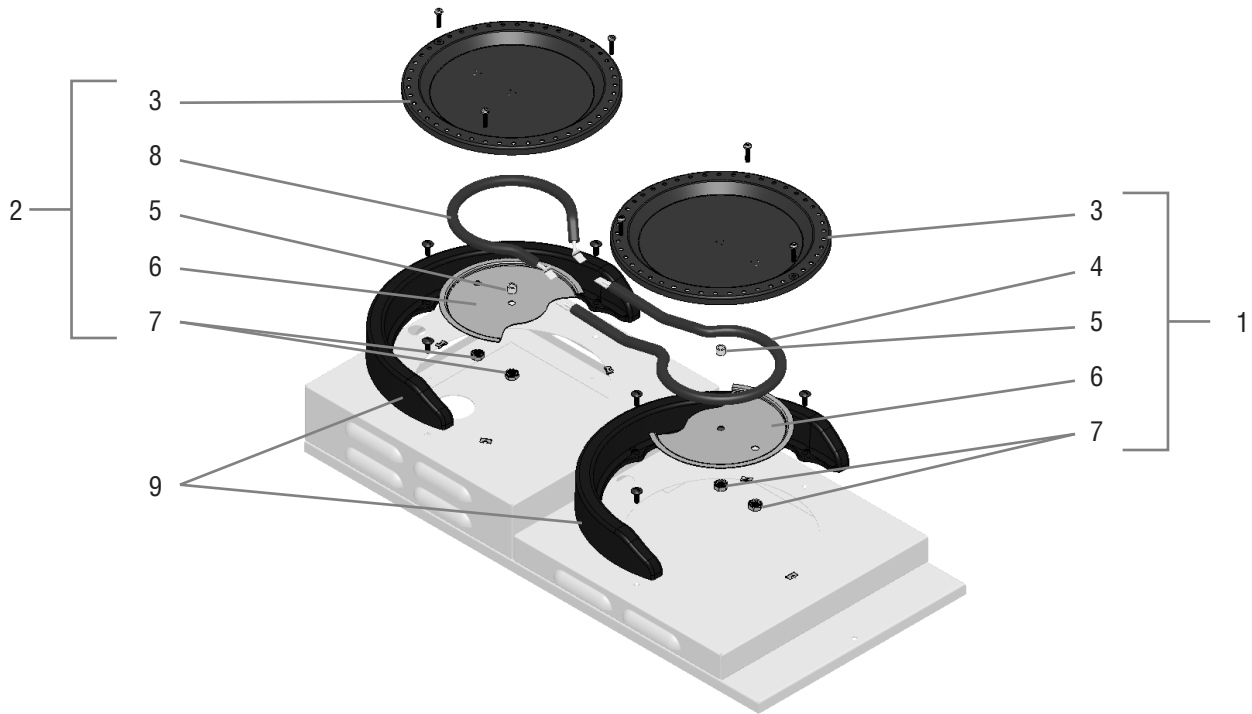
10 ^ Indicates the part number listed is for reference only.

FILL SOLENOID VALVE AND PLUMBING

ITEM	PART NO.	QTY.	DESCRIPTION
1	42025.0000	1	Kit, Universal Replacement Solenoid, 120V
	42025.0001	1	Kit, Universal Replacement Solenoid, 230V
A	20526.2500	2	Kit, .500GPM Flow Washer/O-Ring
B	40056.0003	1	Insert, Flow Control Housing
C	32283.0000	2	Screw, SST Slotted Panhead M4 X 6mm
2	41580.0000	1	Bracket
	02325.0001	2	Screw .25"-20 x .313"
3	37297.0003	1	Elbow
4	41578.0000	1	Tube Assy, Bulkhead to Solenoid
5	43644.0000	-	Kit, Valve Rebuild
6	12422.0001	2	Clamp, SNP - 10
7	20976.0056*	1	Tube, Tank To Valve, .375"ID x 28.0" (Order # 15)
8	11630.0001	1	Clamp, Shut Off
9	12422.0006	1	Clamp, SNP - 8
10	00459.0000	1	Fitting, Bulkhead 1/4" Flair
11	01532.0000	1	Lockwasher, Int. Tooth .438"
12	00463.0000	1	Nut, Hex .438"-20
13	41716.1004	1	Kit, Check Valve/Tube Assembly (Includes Union, Tube, Check Valve, & Clamps)
14	12422.0005	1	Clamp, SNP - 12

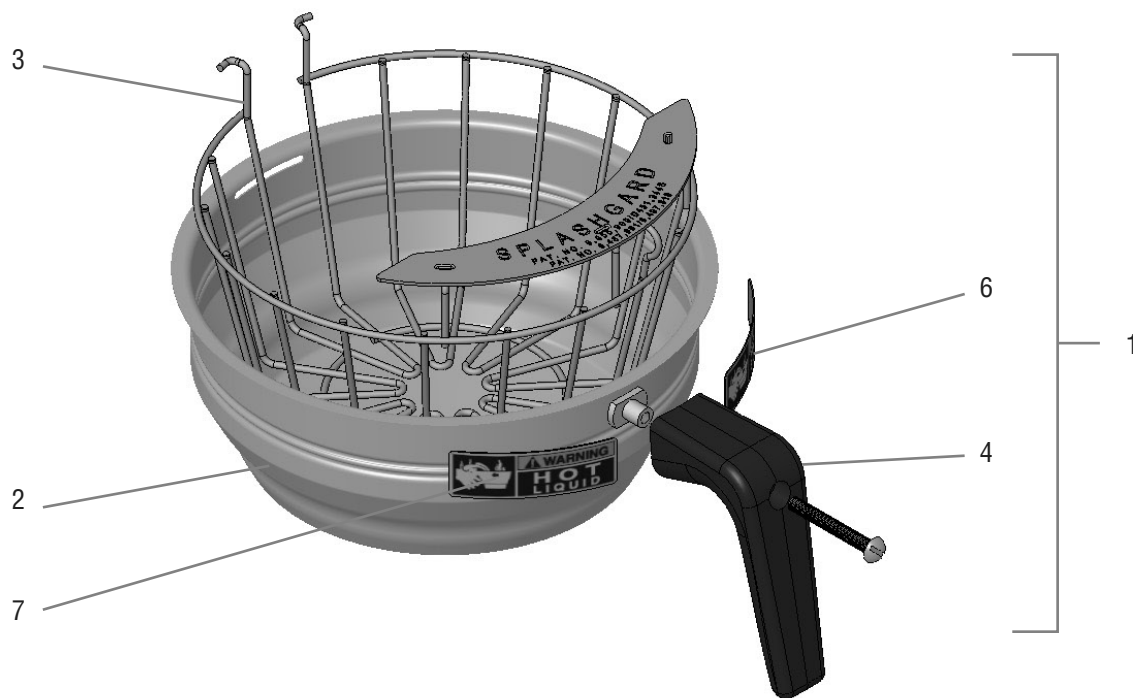
The Following Items Are Not Illustrated

15	20976.1001	-	-	Tube, .375" ID x 3 Feet (Use as required)
	20976.1002	-	-	Tube, .375" ID x 10 Feet (Use as required)
	20976.1004	-	-	Tube, .375" ID x 250 Feet (Use as required)



WARMER & COIL ASSEMBLIES

ITEM	PART NO.	QTY.	DESCRIPTION
1	11440.0005	1	Warmer Assembly 120V, (Includes items 2-7)
	11440.0008	2	Warmer Assembly 220V, (Includes items 2-7) (CE Models)
	01303.0000	3	Screw, Pan Head - SST #4-40 x .5"
	00916.0000	3	Fastener, J-Type #4-40
2	03652.0000	1	Warmer Assembly 120V, Top & Side Warmers (Includes items 1, & 3 - 6)
	11440.0009	1	Warmer Assembly 220V, Top & Side Warmers (Includes items 1, & 3 - 6)
	01303.0000	3	Screw, Pan Head - SST #4-40 x .5"
	00916.0000	3	Fastener, J-Type #4-40
3	03656.0000	1	Warmer Dish, Blk 45 Hole
4	11442.0000	1	Warmer Element 120V Long Legs
5	13042.0001	1	Spacer
6	05212.0000	1	Plate, Element Retaining
7	00970.0000	2	Nut, Keps #8-32
8	01227.0000	1	Warmer Element 120V Short Legs
	01951.0000	1	Warmer Element 220V Short Legs (CE Models)
9	42964.1000	3	Kit, Coil Assy. RFID
	02328.0000	9	Screw, Pnh Sltd 6-32x.375"



FUNNEL

ITEM	PART NO.	QTY.	DESCRIPTION
1	20216.0000	1	Funnel Assy, 7.12" SST Black Handle (Includes items 2-7)
	20216.0001	1	Funnel Assy, 7.12" SST Orange Handle (Includes items 2-7)
2	-----	1	Funnel Body, 7.12" SST (Order item 1)
3	33088.0000	1	Filter Basket, 7.12" SST
4	20244.1000	1	Handle Kit, Black (Includes mounting screw below)
	20244.1001	1	Handle Kit, Orange (Includes mounting screw below)
	01331.0002	1	Screw, Round Head 10-32 x 1.5"
6	03408.0002	1	Decal, Warning - Remove Funnel
7	03409.0002	1	Decal, Warning - Hot Liquid

ELECTRICAL AND OPERATING CONTROLS

ITEM	PART NO.	QTY.	DESCRIPTION
1	42533.1005	1	PC Board, Control (120V) (RoHS)
	42533.1010	1	PC Board, Control (3 Lower Left, MEXICO ONLY)
	42533.1007	1	PC Board, Control (230V) (230V CE Models only)
	38044.0000	2	Screw, PNH Plastite #6 x .375"
	01518.0000	2	Washer, Nylon #6
2	38842.0002	1	Face Plate
	29082.0000	4	Screw, Hex-head #6-32 x .5"
	00973.0000	3	Nut, Keps #6-32
	29263.0000	1	Nut, Standoff #6-32 x 2.0"
3	38876.0001	1	Switch, Membrane - 3 Warmers (Right)
4	29007.0000	1	Decal, HOT WATER (Brewers with Faucet)
5	40881.1000	1	CBA, RFID
	01308.0002	2	Screw, TRH #6-32 x .25"
6	43519.1000	1	Kit, Bracket, CBA Mounting
	00970.0000	2	Nut, Keps #8-32
7	37804.0000	1	Screw, Grounding #8-32 x .5"
8	01719.1000	1	Power Cord, 120V
	01699.0000	1	Power Cord (120/240V Models only)
	38074.1026	1	Power Cord (230V CE Models only) Includes Strain Relief Bushing
9	01685.0000	1	Bushing, Strain Relief (120V 15A Models only)
10	28740.1006	1	Bracket, Component Mtg.
	02308.0000	1	Screw #8-32 x .375"
	02332.0001	1	Screw, Hex Crimptite #6-32 x .25"
11	00985.0000	1	Decal, Individual Circuit Info
12	12394.0002*	1	Decal, Supply Connection (Not Available)
13	07038.0000	1	Terminal Block, 3-pole 120/240v
	01106.0000	1	Terminal Block, 2-pole (230V CE Models only)
	01317.0000	2	Screw #8-32 x .5"
14	00824.0000	1	Decal, Ground
15	23522.0001	1	Toggle Switch, DV (Includes Nut)
	23696.0000	1	Nut, Hex
16	34056.0000	1	Decal, (120V-120/240V)
17	40763.0001	1	Toggle Switch, Main ON/OFF (Includes Nut)
	23696.0000	1	Nut, Hex
18	25102.0000	1	Bracket, Switch Indicator/Guard
19	41405.0000	1	Decal, Main On/Off
20	43133.1000	1	Kit, Audio Alarm
21	29446.0004	1	EMI Filter (CE Models Only)
	01315.0000	2	Screws, SST 8-32 x .375"

The Following Items Are Not Illustrated

22	39048.0000	1	Wiring Harness, Level Probes to Board
23	41390.0003	1	Wiring Harness, Main
	41390.0031	1	Wiring Harness, Main (3 Lower Left, MEXICO ONLY)
	41390.0001	1	Wiring Harness, Main 208-240V
	29072.0023	1	Wiring Harness, Main (230V CE Models only)
24	02812.0001	1	Wiring Harness, Upper Warmers to 3 pin connector
25	43032.1000	1	Wiring Harness, RFID CBA to Main CBA
26	43250.1000	1	Wiring Harness, Beeper to Main CBA
27	34707.0004	1	Wiring Harness, EMI to Term. Block (230V CE Models only)

* Indicates the part number listed is for reference only. See DESCRIPTION for possible service replacement.

NUMERICAL INDEX

PART NO.	PAGE NO.	PART NO.	PAGE NO.	PART NO.	PAGE NO.	PART NO.	PAGE NO.
00459.0000	11	07038.0000	17	29329.1000	7	42025.0001	11
00463.0000	11	07412.1002	7	29446.0004	17	42533.1005	17
00656.0001	5	07412.1003	7	29485.1001	7	42533.1007	17
00658.0000	5	11408.1002	5	29710.0007	5	42533.1010	17
00669.0003	5	11440.0005	13	32283.0000	11	42964.1000	13
00824.0000	17	11440.0008	13	32591.0013	9	43032.1000	17
00908.0000	7	11440.0009	13	32591.0032	9	43133.1000	17
00916.0000	13	11442.0000	13	32591.1001	9	43226.1001	9
00942.0000	7	11517.0008	9	32591.1002	9	43250.1000	17
00943.0000	7,9	11630.0001	11	32591.1003	9	43467.1001	5
00970.0000	5,9,13,17	12364.0000	5	32591.1004	9	43519.1000	17
00973.0000	17	12394.0002	17	33088.0000	15	43644.0000	11
00985.0000	17	12422.0001	9,11	33801.0003	7		
00986.0000	5	12422.0005	9,11	33937.0004	7		
00988.0000	5	12422.0006	11	34056.0000	17		
01075.0000	9	12422.0009	9	34061.1000	5		
01227.0000	13	12657.1012	5	34061.1036	5		
01303.0000	13	12657.1013	5	34070.1001	5		
01308.0002	17	12667.0003	5	34074.1020	7		
01315.0000	17	12669.1013	5	34074.1032	7		
01317.0000	17	13042.0001	13	34074.1041	7		
01331.0002	15	13054.0000	9	34707.0004	17		
01382.0000	5	20216.0000	15	35260.0001	5		
01511.0000	7	20216.0001	15	35712.0000	5		
01518.0000	17	20244.1000	15	37297.0003	11		
01532.0000	11	20244.1001	15	37804.0000	17		
01544.0000	9	20526.2500	11	37881.0000	5		
01593.0000	5	20976.0008	9	37881.0002	5		
01685.0000	17	20976.0056	11	37930.0001	5		
01699.0000	17	20976.1001	11	38044.0000	17		
01719.1000	17	20976.1002	11	38074.1026	17		
01951.0000	13	20976.1004	11	38114.0000	7		
02308.0000	5,17	22306.0000	5	38227.0000	9		
02325.0001	11	23522.0001	17	38842.0002	17		
02328.0000	13	23696.0000	17	38876.0001	17		
02332.0001	17	24805.0000	5	38969.0001	7		
02332.0002	5	24806.1010	5	39048.0000	17		
02594.0000	9	24806.1012	5	39085.0001	7		
02595.0000	9	25102.0000	17	39149.0001	9		
02755.1000	7	25137.0000	5	40056.0003	11		
02766.0000	9	25151.0001	5	40670.0005	9		
02805.1000	7	25151.0007	5	40763.0001	17		
02812.0001	17	27370.0000	9	40792.1001	5		
02854.0000	9	27370.0002	9	40881.1000	17		
02856.0005	9	28735.0002	7	41390.0001	17		
02858.0000	9	28740.1006	17	41390.0003	17		
02861.0003	9	29007.0003	17	41390.0031	17		
03408.0002	15	29072.0023	17	41405.0000	17		
03409.0002	15	29075.0000	9	41499.1001	9		
03652.0000	13	29077.0027	5	41499.1002	9		
03656.0000	13	29077.0028	5	41578.0000	11		
04221.0000	7	29082.0000	17	41580.0000	11		
05037.1000	7	29263.0000	17	41716.1004	11		
05212.0000	13	29264.0000	9	42025.0000	11		

