

Customizable Booths

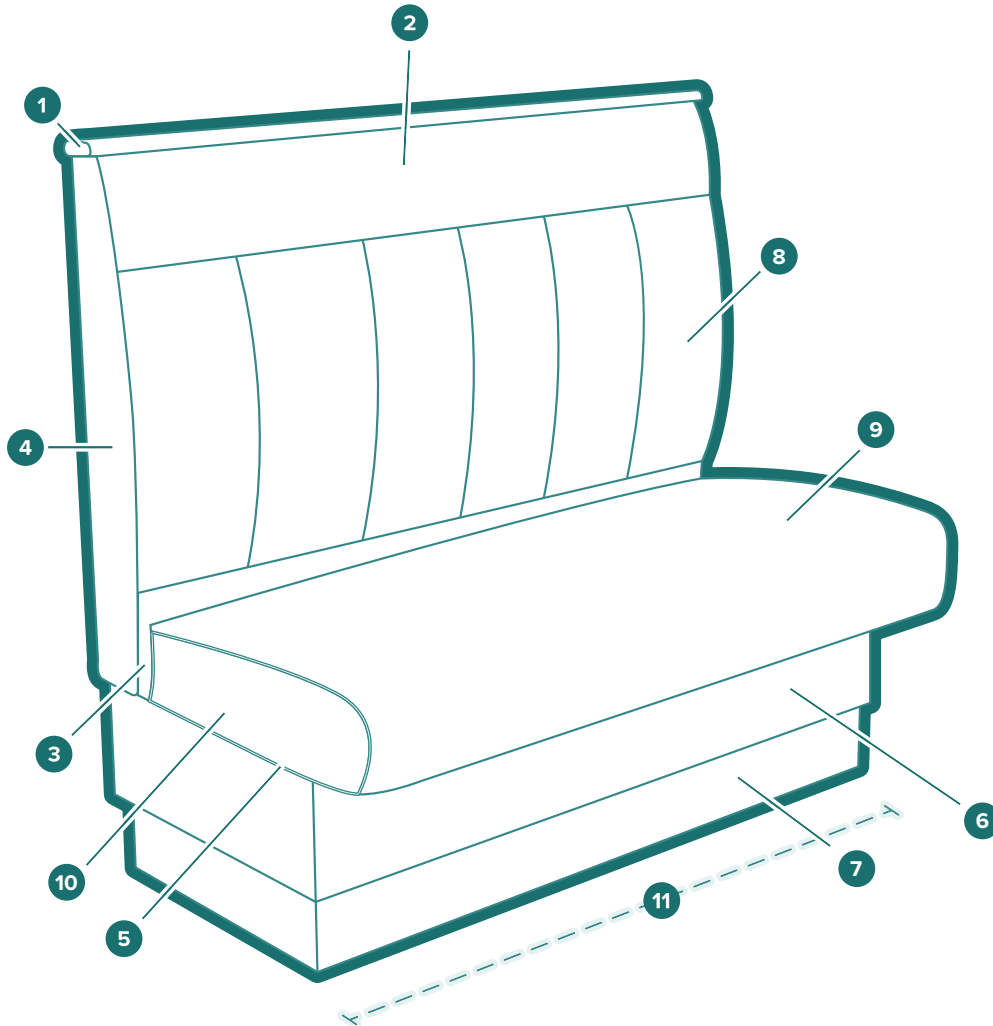
OPTIONS GUIDE



American Tables & Seating, Mfg.

Booth Customizable Features

Before purchasing booths, restaurant owners should familiarize themselves with restaurant booth designs. Knowing the different parts will help owners choose the perfect one to match their restaurant seating layout.



1. Top Cap

Strip located on the top of the booth. Can be wood, or custom fabric/vinyl.

2. Head Roll

Added foam cushion for the head for comfortable seating. Can be different color than rest of booth. ONLY for back height of 42" or 48".

3. Crumb Strip

Between back and cushion for easy cleaning. Can be different vinyl/fabric than rest of booth. Cannot be used on 1/2 circle, 3/4, or L-shape booths.

4. End Cap

Located on the side of the booth. Can be wood, or custom fabric/vinyl.

5. Welt Cord

Additional piping for strength and style. Can be different vinyl/fabric than the rest of the booth.

6. Base

The foundation of the restaurant booth. Can be different vinyl/fabric than the rest of the booth.

7. Kick Plate / Toe Kick

On the bottom of the booth around the foot area to prevent wear. Can be black vinyl, ABS rubber, wood legs, or stainless steel legs.

8. Seat Back

Seating area of the booth. Can be different vinyl/fabric than the rest of the booth.

9. Seat Cushion

Seating area of the booth. Can be different vinyl/fabric than the rest of the booth.

10. Skirting

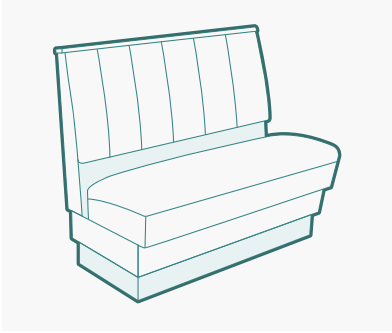
Located right below the cushion using the same material.

11. Length

All booth styles in single and double can have a customized length up to 72".

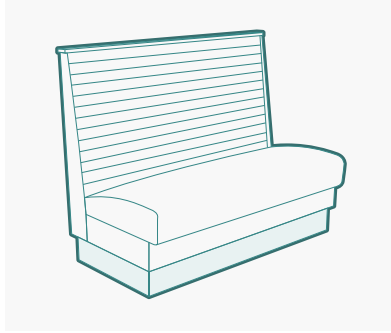
Booth Styles

Once you determine what type of booth you would like, you can start to look at the different styles to enhance your restaurant decor. The different styles include Alex, bead board, button tufted, channel, fan, plain, and V back booths. Each style fits best with different layouts. For instance, try using the V back booth to match your retro theme. You can also use the button tufted booth for a more elegant look in fine dining establishments.



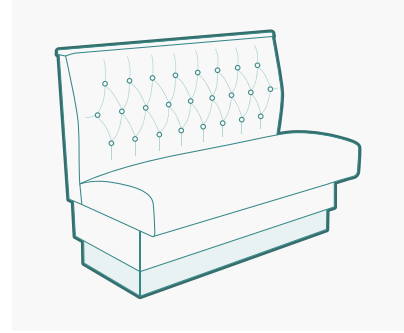
Alex

Alex booths feature upholstery and wood with modern angles.



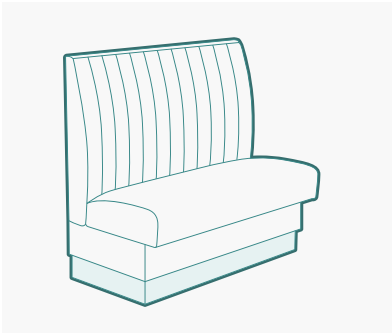
Bead Board

Bead Board restaurant booths are constructed of solid wood.



Button Tufted

Button Tufted restaurant booths feature a button tufted backrest.



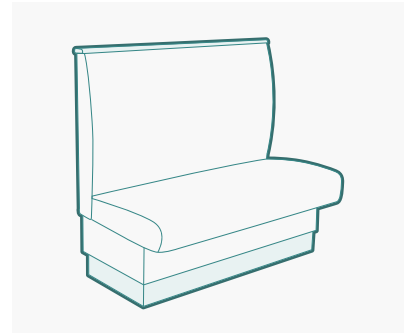
Channel Back

Channel back restaurant booths feature vertical channels.



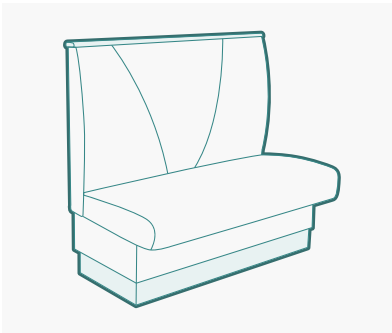
Fan Back

Fan back restaurant booths feature an attractive curved back.



Plain Back

Plain back booths are a solid color and do not have embellishments.



V Back

V back booths have distinctive back stitching in the shape of a V.

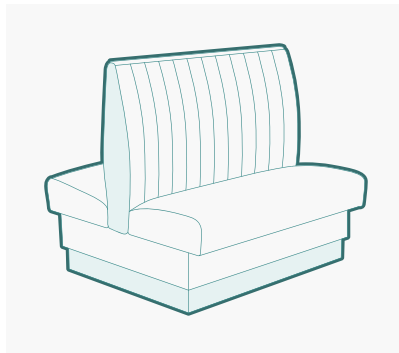
Booth Shapes & Sizes

With a wide variety of dining room booths to choose from, you're sure to find the perfect restaurant booth design for your bar or restaurant. For example, you can choose between single, double, wall bench, 1/2 circle, and 3/4 circle types in many different lengths, widths, and heights. When it comes to small cafes and diners, try using a single booth to place up against the wall to optimize your walk space. You can also incorporate double booths that have back-to-back benches for your busy, fast-paced environments.

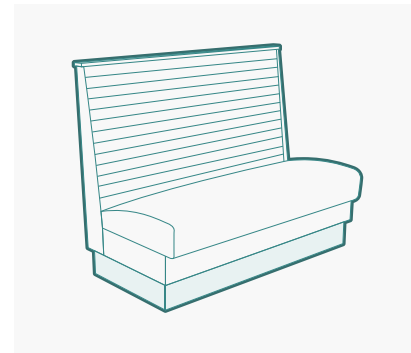
Half and three quarter circle booths are perfect when paired with large round tables to allow bigger parties to have more privacy. You also might consider pairing a wall bench with small tables, which allows for easy conversation among couples, but can be quickly transformed into a larger table for big groups. Whatever your application, there are many different types of booths to meet any need!



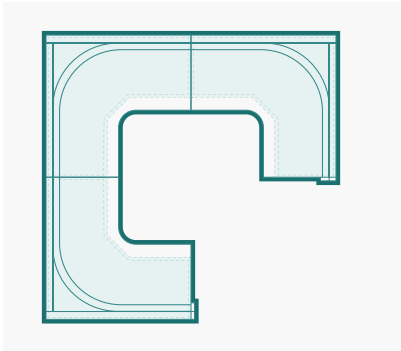
Single Booth



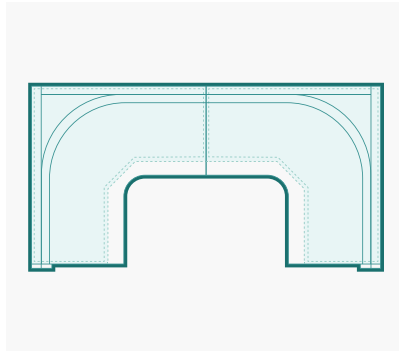
Double Booth



Wall Bench



3/4 Circle Booth

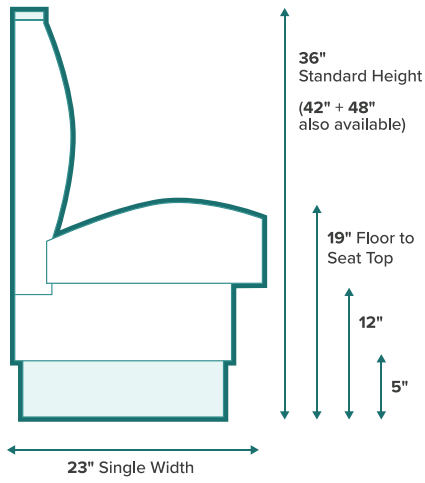


1/2 Circle Booth

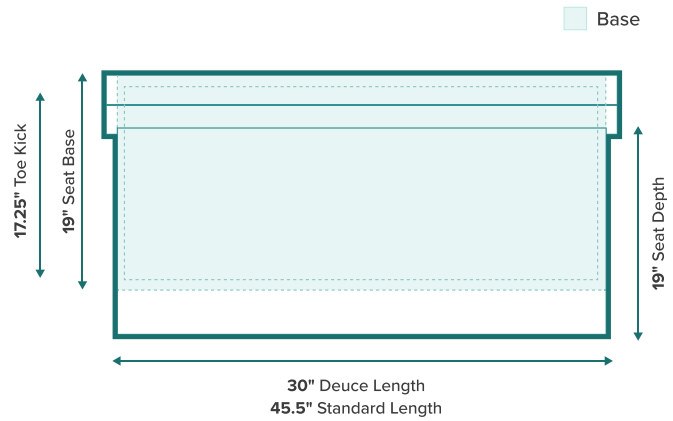
Single Booth Dimensions

ATS Single Upholstered Booth Dimensions

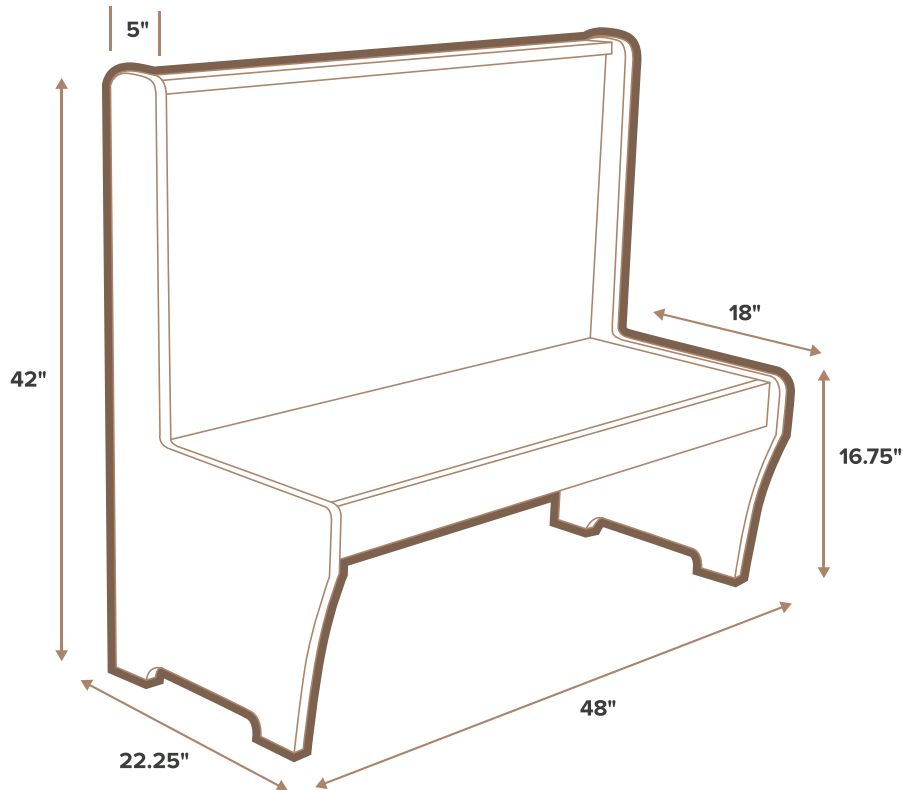
Side View



Top View



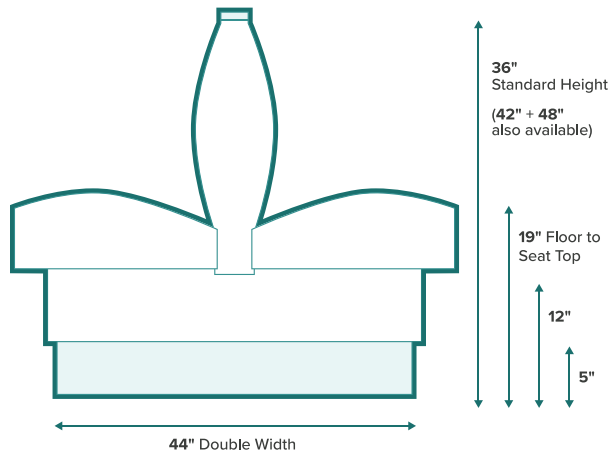
ATS Single Wood Booth Dimensions



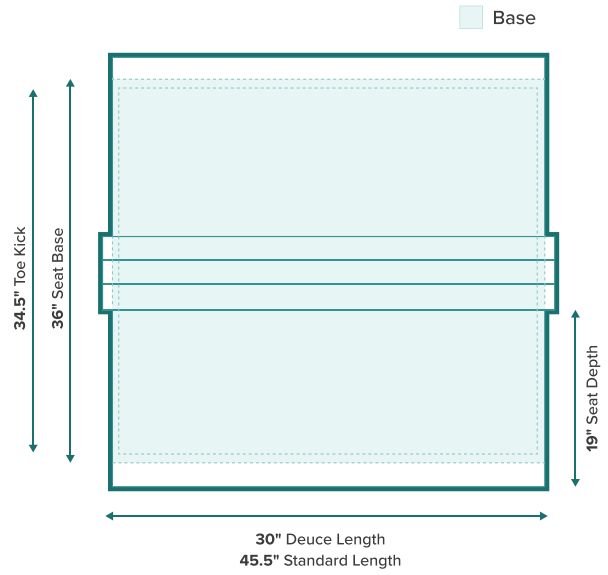
Double Booth Dimensions

ATS Double Upholstered Booth Dimensions

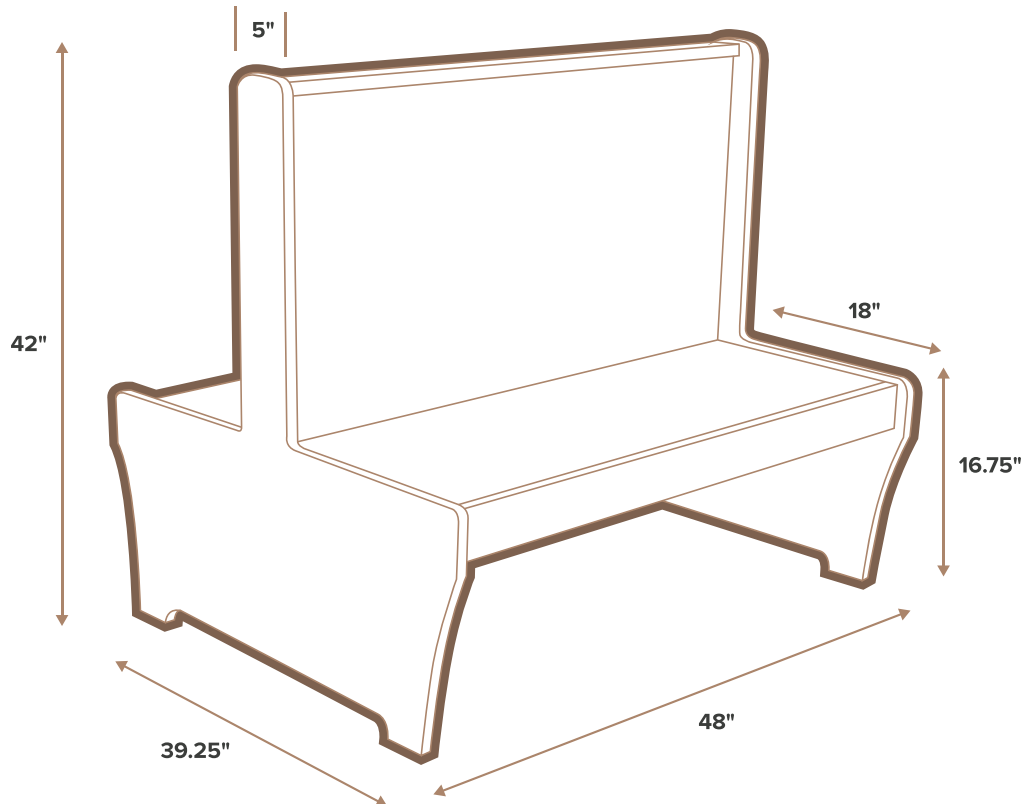
Side View



Top View



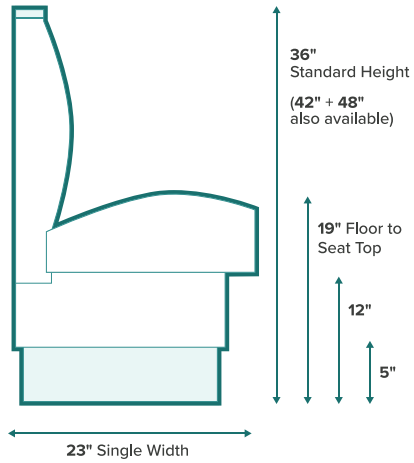
ATS Double Wood Booth Dimensions



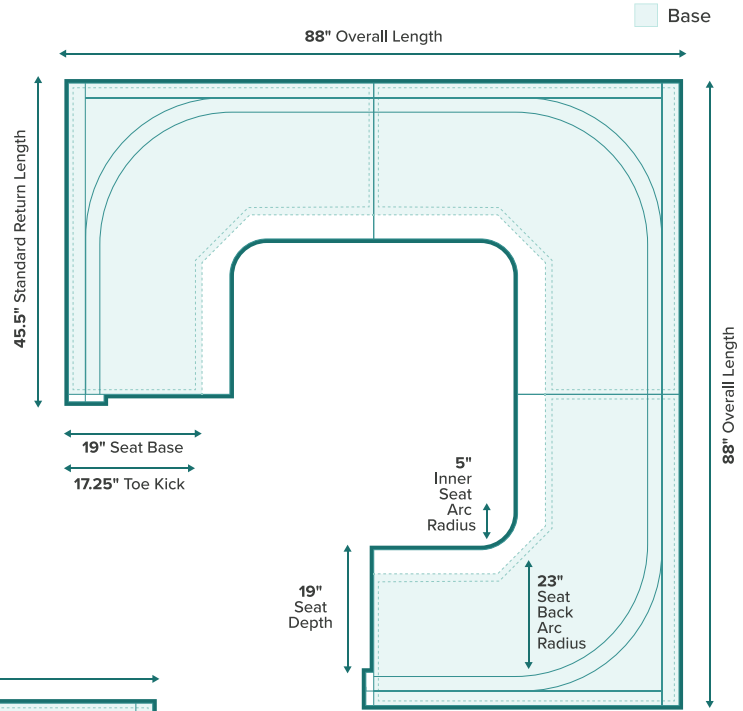
Circle Booth Dimensions

ATS Circle Upholstered Booth Dimensions

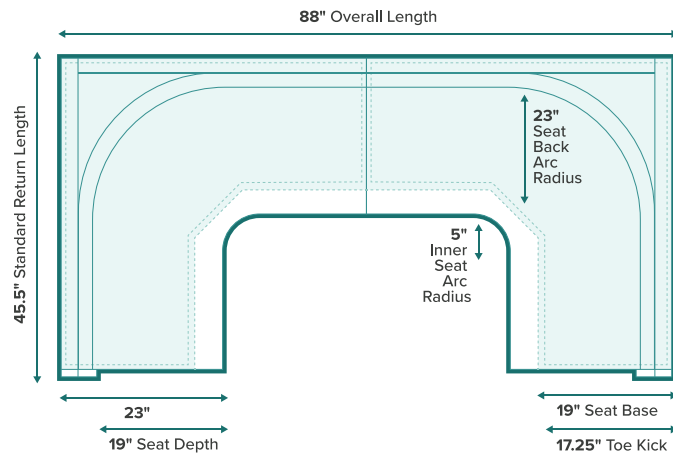
Side View



3/4 Circle Booth



1/2 Circle Booth



Booth Color Options

See Color PDF Resource



Booth Examples



Booth 1

Style: Plain Back
Type: Single Booth
Color(s): Lemon Peel *Independence*
Back Material: Vinyl
Seat Material: Vinyl
Top Cap: Wood
End Cap: Vinyl
Base: Vinyl
Kick Plate: Vinyl



Booth 2

Style: Button Tufted
Type: Double Booth
Color(s): Tropic *Olympus*
Back Material: Vinyl
Seat Material: Vinyl
Top Cap: Wood
End Cap: Wood
Base: Vinyl
Kick Plate: Vinyl



Booth 3

Style: Alex
Type: Double Booth
Color(s): Tuscan & Petal *Jackson*
Back Material: Vinyl
Seat Material: Vinyl
Top Cap: Vinyl
End Cap: Vinyl
Base: Vinyl
Kick Plate: Vinyl



Booth 4

Style: Bead Board
Type: Wall Bench
Color(s): Wood, Falcon *Kilkenny Tweed™*
Back Material: Wood
Seat Material: Upholstery
Top Cap: Wood
End Cap: Wood
Base: Wood
Kick Plate: Vinyl



Booth 5

Style: Channel Back
Type: Wall Bench
Color(s): Deep Purple *Visions*
Back Material: Vinyl
Seat Material: Vinyl
Top Cap: Vinyl
End Cap: Vinyl
Base: Vinyl
Kick Plate: Vinyl



Booth 6

Style: V Back
Type: Double Booth
Color(s): Camel & Chestnut *Independence III*
Back Material: Vinyl
Seat Material: Vinyl
Top Cap: Vinyl
End Cap: Vinyl
Base: Vinyl
Kick Plate: Vinyl