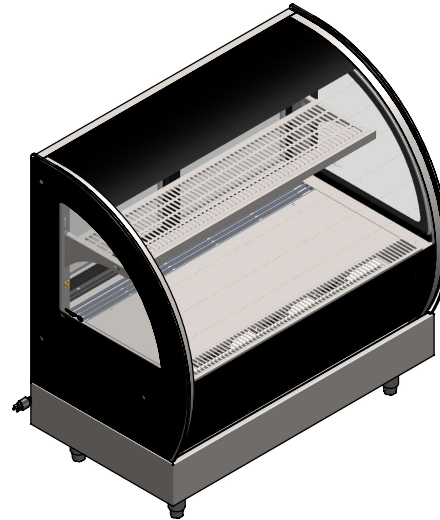
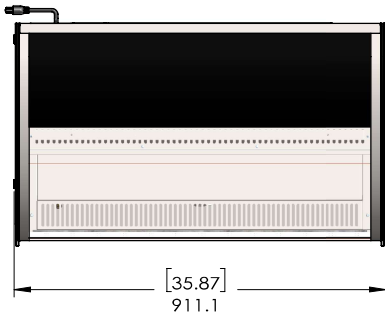


| ITEM NO. | MODEL NO. | DESCRIPTION           | VOLTAGE | CURRENT | R290 CHARGE | CORD PLUG |
|----------|-----------|-----------------------|---------|---------|-------------|-----------|
| RDCCV-36 | RDC9236   | CURVED COUNTERTOP 36" | 120V    | 6.1A    | 120G/4.2OZ  | 5-15P     |



**NOTES:**

1. USER ADJUSTABLE DIGITAL TEMPERATURE CONTROLLER FOR TIME-TEMPERATURE CONTROLLED PACKAGED OR UNPACKAGED FOODS
  - TEMPERATURES BETWEEN 32°F (0°C) AND 46°F (8°C)
  - CABINET CAN ALSO BE USED AS AMBIENT DISPLAY
2. SELF-CONTAINED R290 REFRIGERATION SYSTEM WITH AUTOMATIC AND MANUAL DEFROST
3. GLASS HEATER TO KEEP CUSTOMER GLASS CLEAR
4. ZERO CLEARANCE ON ENDS, TOP AND OPERATOR SIDE MUST REMAIN OPEN FOR OPERATION AND SERVICE
5. UNIT SHOULD BE PLACED IN A FLAT, LEVEL POSITION. SEAL TO COUNTER OR PURCHASE OPTIONAL 4" ADJUSTABLE LEGS THROUGH VOLLRATH
6. ONE 3-POSITION ADJUSTABLE SHELF WITH LED LIGHTING TO ILLUMINATE THE SHELF BELOW
7. LIFT AND REMOVE OPERATOR SIDE SLIDING DOORS
8. ARGON-FILLED AND SEALED DOUBLE PANE, LOW EMISSIVITY COATED GLASS
9. INTERNAL FANS TO CIRCULATE AIR AND PROVIDE EVEN TEMPERATURES
10. NSF DIAL THERMOMETER INCLUDED WITH EACH UNIT
11. 6-FOOT 120V, 15A POWER CORD
12. MATERIALS: STAINLESS STEEL, TEMPERED GLASS
13. UNIT WEIGHT: 264.6 LBS.
14. CERTIFICATIONS:

- 1.) UL 471 10TH EDITION, FILE NUMBER: SA4847
- 2.) UL SANITATION (TESTED TO NSF STD. 7), FILE NUMBER: SA45555
- 3.) ENERGY PERFORMANCES STANDARD FOR COMMERCIAL REFRIGERATION EQUIPMENT CAN/CAS C657-2015



COMMERCIAL REFRIGERATOR  
NSF/ANSI 7  
SA45555



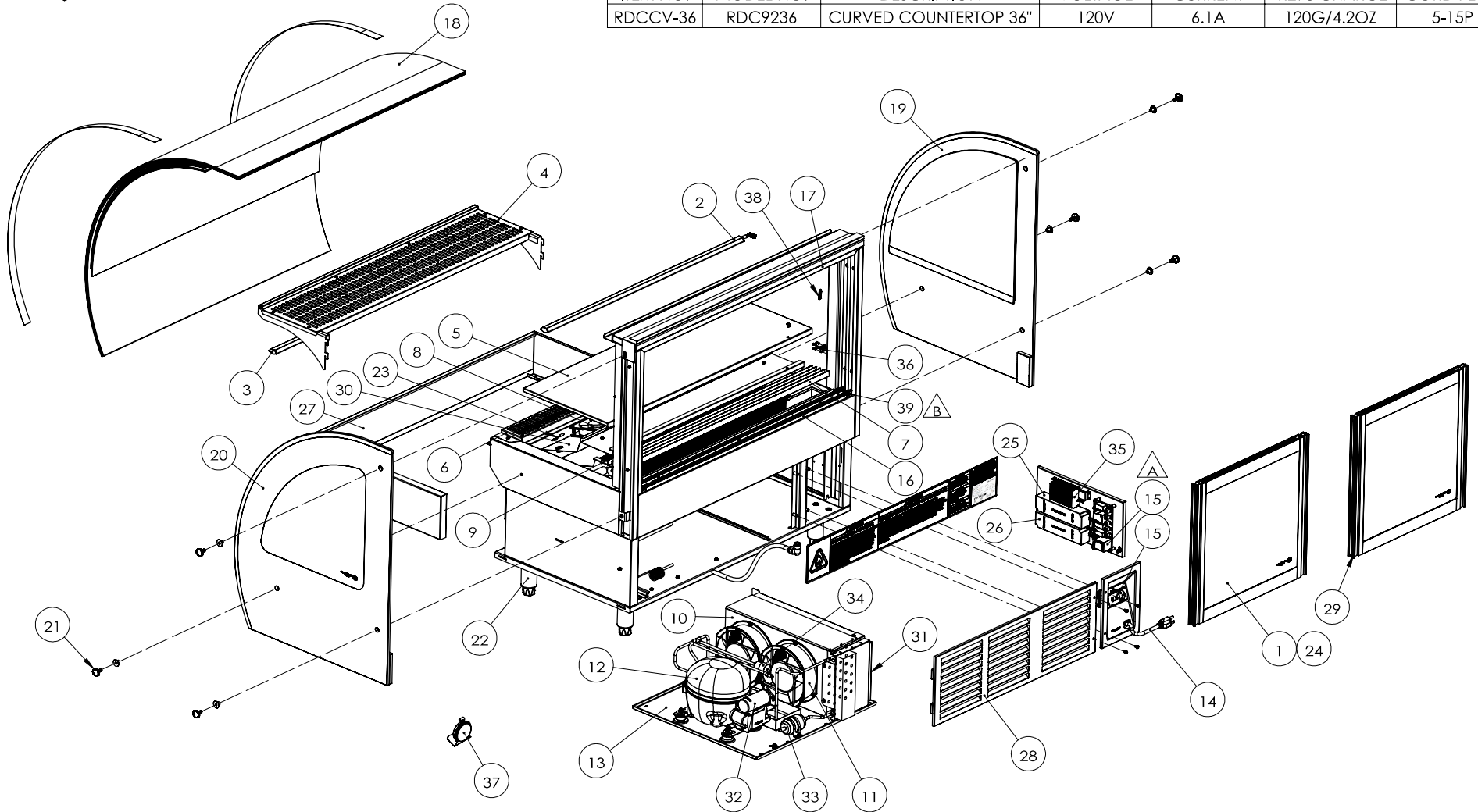
COMMERCIAL REFRIGERATOR  
AND/OR FREEZER  
719L



ENERGY PERFORMANCES STANDARD FOR  
COMMERCIAL REFRIGERATION EQUIPMENT  
CAN/CAS C657-2015

DIMENSIONS ARE IN MILLIMETERS (MM) UNLESS OTHERWISE NOTED.  
DIMENSIONS IN BRACKETS ARE IN INCHES (IN) AND ARE FOR REFERENCE ONLY.

| ITEM NO. | MODEL NO. | DESCRIPTION           | VOLTAGE | CURRENT | R290 CHARGE | CORD PLUG |
|----------|-----------|-----------------------|---------|---------|-------------|-----------|
| RDCCV-36 | RDC9236   | CURVED COUNTERTOP 36" | 120V    | 6.1A    | 120G/4.2OZ  | 5-15P     |



| ITEM NO. | MODEL NO. | DESCRIPTION           | VOLTAGE | CURRENT | R290 CHARGE | CORD PLUG |
|----------|-----------|-----------------------|---------|---------|-------------|-----------|
| RDCCV-36 | RDC9236   | CURVED COUNTERTOP 36" | 120V    | 6.1A    | 120G/4.2OZ  | 5-15P     |

| SN | PART NO.    | DESCRIPTION                  | QTY. |
|----|-------------|------------------------------|------|
| 1  | RDC0130-36  | 36" CURVED DOOR ASM          | 2    |
| 2  | RDC0084-36S | 36" LED 0.15M                | 1    |
| 3  | RDC0084-36L | 36" LED 0.50M                | 1    |
| 4  | RDC0090-36  | 36" CURVED TOP SHELF ASM     | 1    |
| 5  | RDC0089-36  | 36" CURVED BOTTOM SHELF      | 1    |
| 6  | RDC0042-36  | 36" AIR OUTLET DUCT          | 1    |
| 7  | RDC0088-36  | 36" REAR AIR GRILL           | 1    |
| 8  | RDC0163     | EVAPORATOR FAN               | 3    |
| 9  | RDC0053-36  | 36" EVAPORATOR               | 1    |
| 10 | RDC0149     | RDE CONDENSER                | 1    |
| 11 | RDC0258     | CONDENSOR FAN                | 2    |
| 12 | RDC0147S    | EM2X3134U COMPRESSOR         | 1    |
| 13 | RDC0067-36  | 36" RDCCV CONDENSING UNIT    | 1    |
| 14 | RDC0501     | POWERCORD W/STRAIN RELIEF    | 1    |
| 15 | SEE TABLE   | SEE TABLE                    | 1    |
| 16 | RDC0115-36  | 36" BOTTOM DOOR TRACK        | 1    |
| 17 | RDC0128-36  | 36" BACK SLDNG DOOR TRACK UP | 1    |
| 18 | RDC0507     | FRONT GLASS KIT, RDCCV-36    | 1    |
| 19 | RDC0103     | RDCCV END GLASS R ASM        | 1    |
| 20 | RDC0110     | RDCCV END GLASS L ASM        | 1    |
| 21 | RDC0522     | GLASS HARDWARE               | 6    |
| 22 | 2351601     | 4 INCH LEG ADJUSTABLE FOOT   | 4    |
| 23 | RDC0141     | RDE HDE NTC SENSOR           | 2    |
| 24 | RDC0155     | REAR DOOR SLIDER BTM WHEEL   | 4    |
| 25 | RDC0145     | POWER FOR LED                | 1    |
| 26 | RDC0164     | GLASS HEATING POWER          | 1    |
| 27 | RDC0126-36  | 36" RDCCV STAINLESS WRAP     | 1    |
| 28 | RDC0127-36  | 36" BACK VENT PANEL REAR     | 1    |
| 29 | RDC0160     | CURVED DOOR GASKET           | 4    |
| 30 | RDC0086-36  | 36" FAN PANEL ASM            | 1    |
| 31 | RDC0039     | RDE FILTER                   | 1    |
| 32 | RDC0112     | CAPACITOR                    | 1    |
| 33 | RDC0106     | RDE DRY FILTER               | 1    |
| 34 | RDC0195     | HIGH PRESSURE SWITCH         | 1    |
| 35 | RDC0043     | RDE TERMINAL BLOCK           | 1    |
| 36 | RDC0066     | 3-PIN LED LIGHT SOCKET       | 2    |
| 37 | RDC0273     | COOL HOLDING THERMOMETER     | 1    |
| 38 | RDC0523     | SLOT PLUG, QTY. 4            | 2    |
| 39 | RDC0705     | END BLOCK                    | 2    |



NOTE: FOR CONTROLLER, AS SHOWN IN THE TABLE BELOW.

| SN | SERIAL NUMBER (YDDD)                         | CONTROLLER |
|----|--|------------|
| 15 | CURRENT PRODUCTION, VERIFY CODE PZUXC9R1S1KT | RDC0700    |
|    | UP TO O252, VERIFY CODE PZUXCOE101           | RDC0502    |