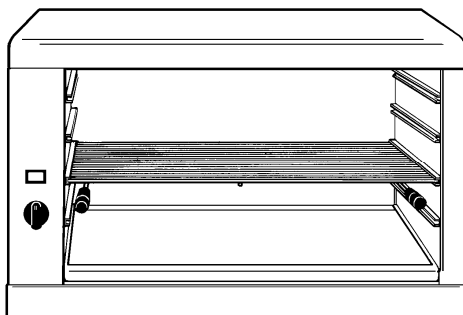
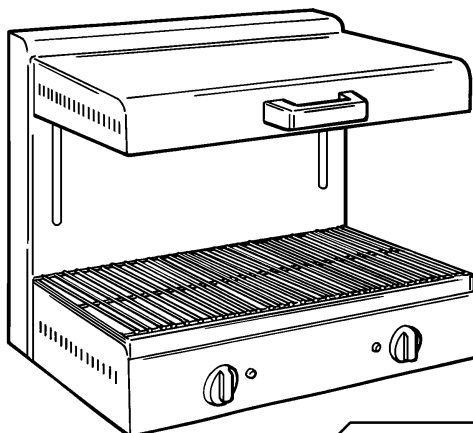


**INSTRUCTION MANUAL FOR USE
AND MAINTENANCE**



Ed. 06/2025

**Basic Salamandra
Fissa Salamandra
Movable Salamandra**

INTRODUCTION

- *This manual is meant to provide **customers** with information on the machine and its specifications and the necessary operating and maintenance instructions in order to guarantee the best possible use of the machine and preserve its efficiency in the long term.*
- *This manual is to be used by qualified and skilled people well informed about the use of the machine and its periodical maintenance.*

CONTENTS

CHAP. 1 - INFORMATION ON THE MACHINE	pag. 3
1.1 - GENERAL PRECAUTIONS	
1.2 - SAFETY DEVICES INSTALLED ON THE MACHINE	
1.3 - DESCRIPTION OF THE MACHINE	
1.3.1 - general description	
1.3.2 - manufacturing features	
1.3.3 - machine components	
1.4 - warning label	
CHAP. 2 - TECHNICAL DATA	pag. 5
2.1 - OVERALL DIMENSIONS , WEIGHT, CHARACTERISTICS . . .	
CHAP. 3 - THE ARRIVAL OF THE MACHINE	pag. 6
3.1 - DESPATCH OF THE MACHINE	
3.2 - PACKAGE CHECK UPON RECEIPT	
3.3 - PACKAGE DISPOSAL	
CHAP. 4 - INSTALLATION	pag. 7
4.1 - SETTING UP OF THE MACHINE	
4.2 - ELECTRICAL CONNECTIONS	
4.3 - ELECTRIC CIRCUIT DIAGRAM OF BASIC/FISSA SALAMANDRA	
4.4 - ELECTRIC CIRCUIT DIAGRAM OF MOVABLE SALAMANDRA	
4.5 - FUNCTIONING CHECK	
CHAP. 5 - USE OF THE MACHINE	pag. 10
5.1 - CONTROLS	
5.2 - FIRST USE OF THE MACHINE	
5.3 - LOADING OF THE PRODUCT	
CHAP. 6 - GENERAL CLEANING	pag. 11
6.1 - INTRODUCTION	
CHAP. 7 - MAINTENANCE	pag. 12
7.1 - GENERAL FEATURES	
7.2 - POWER SUPPLY CORD	
7.3 - QUARTZ TUBES	
7.4 - FEET	
CHAP. 8 - DISPOSAL OF THE MACHINE	pag. 12
8.1 - PUTTING THE MACHINE OUT OF SERVICE	

CHAP. 1 - INFORMATION ON THE MACHINE

1.1 - GENERAL PRECAUTIONS

- The machine must be operated only by highly qualified people who are fully aware of the safety measures described in this manual.
- In case of a personnel turn over, training is to be provided in advance.
- Before starting cleaning and maintenance operations, disconnect the plug from the supply socket.
- Assess the residual risks carefully to carry out cleaning and maintenance.
- Cleaning and maintenance require great concentration.
- A regular control of the electric supply cord is absolutely necessary; a worn-out or damage cord is very dangerous.
- If the machine shows malfunctions, it is recommended not to use it and to abstain from trying to repair it; please call the “Service Centre”.
- The machine is used for cooking, heating, toasting, and cooking au gratin foodstuffs. Do not use the machine for other uses or for any products other than foodstuffs.
- The manufacturer is not liable in the following cases:
 - ⇒ if the machine has been tampered by non-authorized personnel;
 - ⇒ if some parts have been substituted by non original spare parts;
 - ⇒ if the instructions contained in this manual are not followed **accurately**;
 - ⇒ if the machine surface is not clean with the right product

1.2 - SAFETY DEVICES INSTALLED ON THE MACHINE

The electrical safety devices installed on the machine, described in this manual, complies with **UL and CSA** standards.

Even though the Salamandra is provided with electrical and mechanical protections (when the machine is working and for maintenance and cleaning operations), there are still **RESIDUAL RISKS** that cannot be eliminated completely, these risks are mentioned in this manual under **WARNING**. They are scalds caused by the loading and unloading of the product, or other kind of injuries due to the maintenance operations.

1.3 - DESCRIPTION OF THE MACHINE

1.3.1 - General description

Our firm has designed and manufactured the Salamandra to cook, heat, toast, cook au gratin foodstuffs (as pizza, sandwiches, cakes, etc.) and to guarantee:

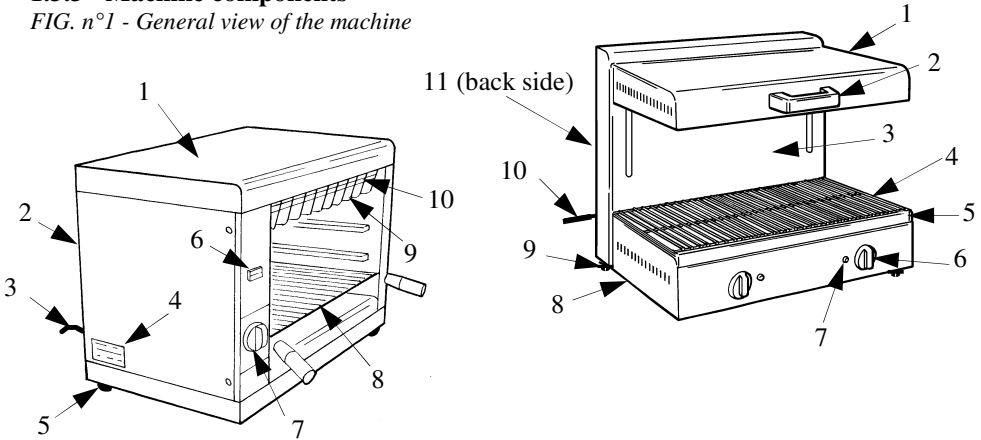
- the highest degree of safety in functioning, cleaning and maintenance;
- the highest hygienic standard due to an accurate choice of materials which come into contact with the foodstuffs;
- the lowest loss of heat produced by the resistances;
- solidity and stability of all the elements;
- great handiness.

1.3.2 - manufacturing features

The Salamandra is completely made of stainless steel AISI 430. This material guarantees the contact with the food (hygienic) and high resistance to acids, salts and oxidation processes.

1.3.3 - Machine components

FIG. n°1 - General view of the machine



LEGEND:

	FISSA/BASIC SALAMANDRA	MOVABLE SALAMANDRA
1	Cover	Movable cover
2	Shell	Handle
3	Power supply cord	Supports
4	Rating plate-serial number	Gridiron
5	Feet	Crumb collecting tray
6	Pilot lamp	Temperature regulator
7	Temperature regulator	Pilot lamp
8	Lower gridiron	Supporting base
9	Upper protection grid	Feet
10	Quartz tubes	Power supply cord
11	Rating plate-serial number

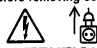
1.4 - Warning label

The warning label to side is applicate on the appliance.

Label is intended to alert the user to the presence of uninsulated “dangerous voltage” within the product’s enclosure that may be of sufficient magnitude to constitute a rick of fire or electric shock to persons.

ATTENZIONE
Scollegare la spina prima di rimuovere la copertura.

WARNING
Isolate from mains before removing cover.



ATTENTION
Avant d'enlever la protection s'assurer d'isoler l'appareil de l'alimentation.

VORSICHT
Vor dem öffnen des Gerätes vom Netz trennen!

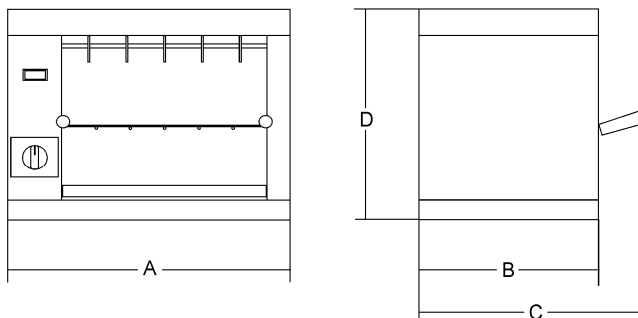
ВНИМАНИЕ
Отключите от электрического питания перед снятием крышки.

CHAP. 2 - TECHNICAL DATA

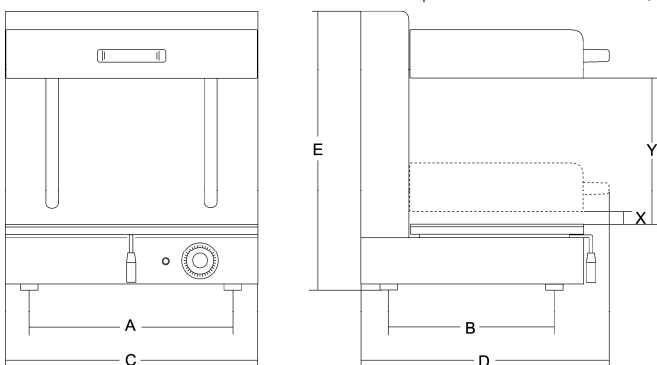
2.1 - OVERALL DIMENSIONS, WEIGHT, CHARACTERISTICS ...

FIG. n°2 - Overall dimensions drawing

Fix/Basic



PRO



TAB. n°1

Model		FISSA	BASIC	PRO I/2	PRO I/I
Power	watt	2800	2800	1700	3400
Power source		230V 60Hz		110-120V 60Hz 220-240V 60Hz	220-240V 60Hz
Heating areas	n.	1	1	1	2
Cooking department dim.	mm	480x330 h.320	480x330 h.320	385x350	585x350
AxBxD	mm	620x350x430	620x350x430	-	-
C	mm	445	445	-	-
AxB	mm	-	-	330x400	510x400
CxDxE		-	-	400x545x510	600x545x510
X / Y	mm	-	-	30 / 240	30 / 240
Net weight	kg	18,5	16	45	56

CHAP. 3 - THE ARRIVAL OF THE MACHINE

3.1 - DESPATCH OF THE MACHINE (see FIG. n°3)

The Salamandra is accurately packed and then despatched from our warehouses. The package includes:

- a) a strong cardboard box + inside protections;
- b) the machine;
- c) this manual.

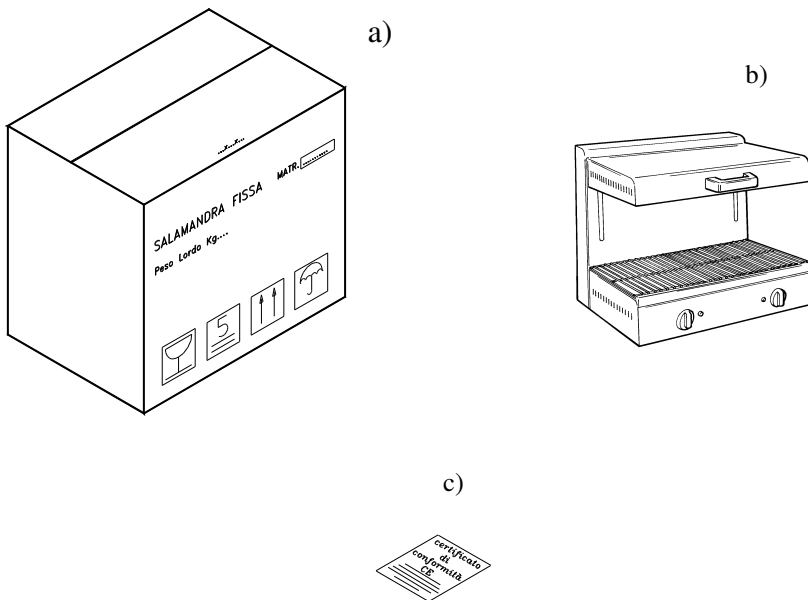


FIG. n°3 - Package description

WARNING: The electrical characteristics for which the appliance is designed are indicated on the reference plate applied on the side of the machine, before connecting to power supply, please read par. **4.2 electrical connections**.

3.2 - PACKAGE CHECK UPON RECEIPT

If no external damage is evident on the package upon its arrival, open it and check that all the components are inside (*see FIG. n°3*). If the package has suffered rough handling, bumps or crashes, the carrier must be informed about any damage; moreover a detailed report on the extent of the damage caused to the machine must be filled within three days from the delivery date shown in the shipping documents..

Do not overturn the package!! When the package is transported, make sure the box is lifted by the 4 corners (parallel to the ground).

3.3 - PACKAGING DISPOSAL

The components of the packaging (cardboard, eventual pallets, plastic straps and polyurethane) are urban solid waste; therefore they can be easily disposed.

If the machine has to be installed in countries where specific regulations are in force, packaging must be disposed in compliance with them.

CHAP. 4 - INSTALLATION

4.1 - SETTING UP OF THE MACHINE

The Salamandra must be installed on a working table suitable for its overall dimensions shown in *Tab. 1*, therefore it must be adequately large, well levelled, dry, smooth, resistant, stable and placed at a height of 80 cm from the ground have at least 10 cm space from the walls, objects and shelves that must in any case be resistant to heat and fire.

Moreover the machine must be installed in a room with max. 75% not saline humidity at a temperature between +5°C and +35°C; that is to say in a place that does not provoke the machine failure.

Screw the four feet supplied into the lower part of the machine (ref. 5 fig. n° 1).

4.2 - ELECTRICAL CONNECTIONS

Units were supplied without an electrical cord and plug. Require a hardwired connection to on-site electrical system.

Connection must be properly grounded and of correct voltage, size, and configuration for electrical specifications of unit (*see FIG. n°4*).

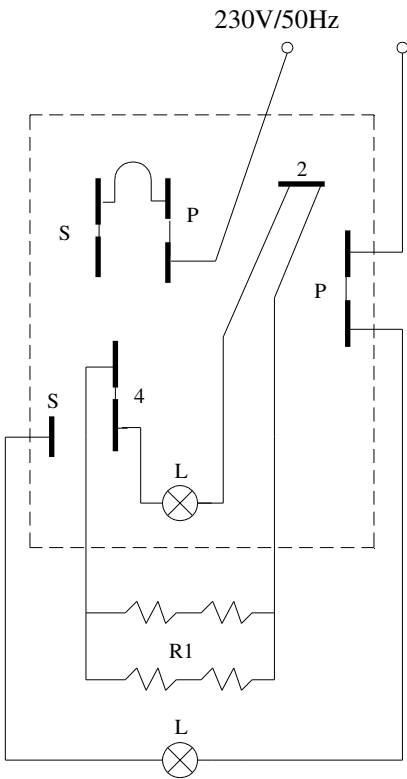
Contact a qualified electrician to determine and install proper electrical connection.

Moreover check that the features on the rating plate - serial number (*see FIG. n°4*) correspond to the features shown in the consignment and delivery note.

Mod. _____
Matr. _____ Watt.
_____ H.p. _____ A. _____ Hz.
○ _____ ~ Volts. _____ Kg. ○
Anno _____

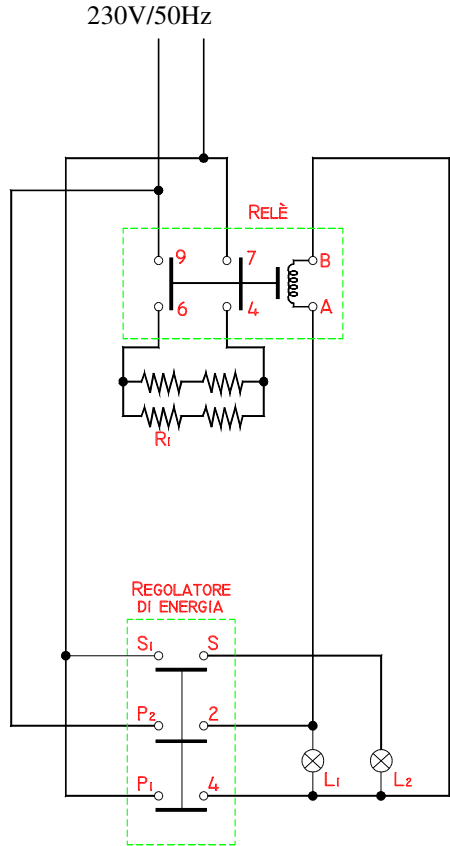
FIG. n°4 - Rating plate-serial number

4.3 - ELECTRICAL CIRCUIT DIAGRAM OF THE BASIC/FISSA SALAMANDRA



- P1 - P2 Supply 230V/50Hz
- 2 - 4 Resistances + resistance functioning lamp
- P1 - S2 Resistance functioning lamp
- R1 N° 4 resistances of 500W/115V

FIG. n°5 - Electrical circuit of the Basic Salamandra



Three-phases supply 230V/50Hz.
(phase + neutral)

- R1 = n°4 resistances of 700W/115V
- L1 = resistance functioning lamp
- L2 = lamp indicating that the machine is on

FIG. n°6 - Electrical circuit of the Fissa Salamandra

4.4 - ELECTRICAL CIRCUIT DIAGRAM OF THE MOVABLE SALAMANDRA

CONNECTION 400V.

CONNECTION 1 x 120V/230V

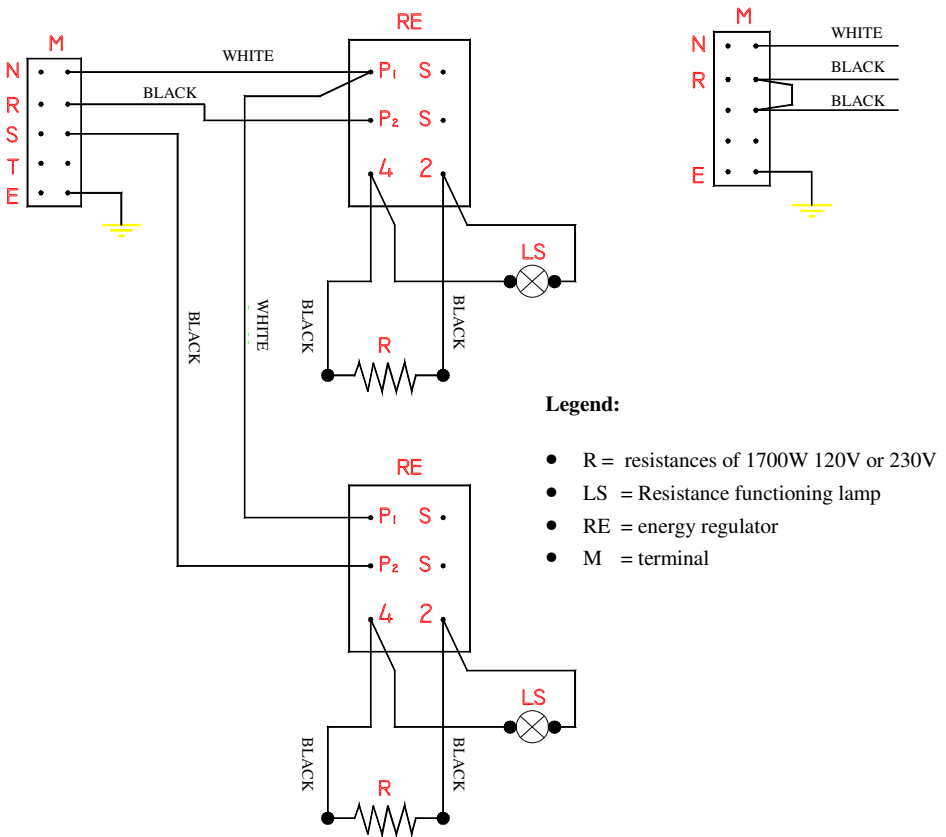


FIG. n°7 - Electrical diagram of the Movable Salamandra mod. PRO/PRO I

4.5 - FUNCTIONING CHECK

To check the machine functioning, just turn the temperature regulator knob **clockwise** (placing yourself in front of the knob), and starting from the minimum, observe if the pilot lamp turns on .

When the pilot lamp is on, it means that **the resistances are functioning.**

The Fixed Salamandra is provided with a second pilot lamp to indicate the mains voltage.

Check also that the pilot lamp turns on **when the machine is working.**

CHAP. 5 - USE OF THE MACHINE

5.1 - CONTROLS

The controls are placed on the machine has shown in the figure below.

- 1 Temperature regulator.
- 2 Pilot lamp, it indicates that the resistances are on.

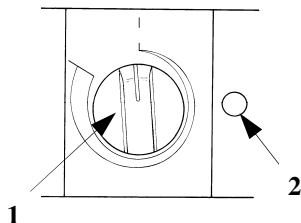


FIG. n°8 - Controls position

On the Fixed Salamandra, there is a second pilot lamp that indicates the supply mains.

5.2 - FIRST USE OF THE MACHINE

When the machine is delivered, the steel surfaces are protected with a nylon anti-scratch film , this film has to be removed accurately before starting the machine and pay attention to remove eventual residuals of glue.

To perform this operation, do not use sharpening tools, inflammable or abrasive substances.

At this stage, it is necessary to start the machine outside, putting it at the maximum for 15-20 minutes.

In this way the insulating materials used during the manufacturing and the residuals of grease due to the mechanical installation of single parts, heat and produce smoke.

N.B.: For the Movable Salamandra , the first time, it is necessary to loosen the screw placed on the rear part (see FIG. n°10) which locks the **bilanciere** inside the machine.

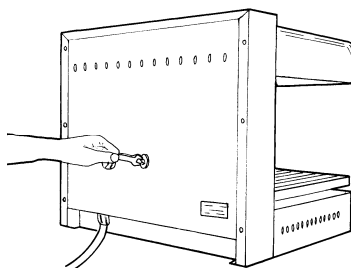


FIG. n°9 - retainer of the equalizer

5.3 - LOADING OF THE PRODUCT

WARNING: When you place the product on the grid to cook, this must be hot, so pay attention to **RESISUAL RISKS** due to burning dangers. **Therefore use the necessary protections.**

The procedure below is to be followed:

- 1 place yourself correctly to avoid accidents (see FIG. n°10): the body must be perpendicular to the working table; the hands must not press on the machine . **However do not lean on the machine and avoid positions where members of your body could enter in contact with the machine .**
- 2 turn on the temperature regulator to start the machine and place it to the MAX. for about a

- minute;
- 3 place the product on the grid and adjust the heating intensity, according to the necessity, with the temperature regulator;
 - 4 at the end of the cooking, remove the residuals from the grid;
 - 5 if the machine is inactive for a long period (f.e. one or two hours), place the temperature regulator on 0°C.

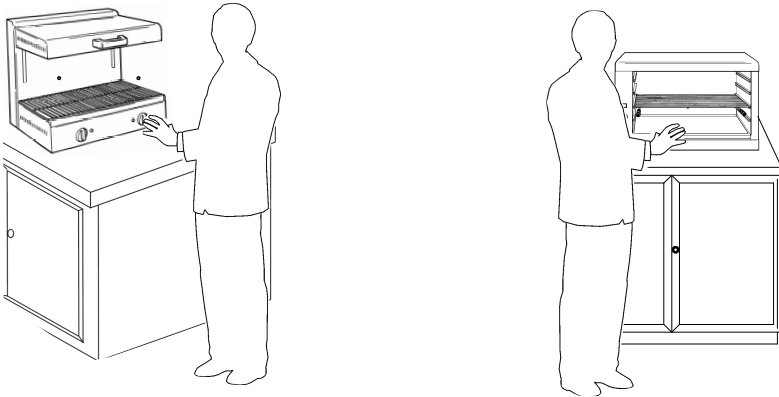


FIG. n°10 - Correct position for cooking

CHAP. 6 - GENERAL CLEANING

6.1 - INTRODUCTION

WARNING: before performing any cleaning operation, disconnect the machine plug from the mains to isolate it completely from the rest of the installation; wait that the machine cools

- the machine cleaning is an operation that has to be performed at least once a day and, if necessary more often.
- The machine must be washed with a wet cloth and some neutral detergent (PH7) at a normal temperature.
- All the machine parts, that are in contact with the product, must be cleaned accurately .
- Never clean the machine by means of compressed water or water jets.
- To clean the Salamandra Fissa, it is necessary to remove the protection grids and pass the quartz lamps with a cotton flock soaked in neutral detergent (PH7).
- Take the same care **to empty the crumb collecting tray.**

CHAP. 7 - MAINTENANCE

7.1 - GENERAL FEATURES

WARNINGS: Before performing any maintenance operations, it is necessary to **disconnect the plug from the socket to insulate completely the machine from the rest of the system.**

7.2 - POWER SUPPLY CORD

Periodically check whether the power supply cord is worn-out and, if this is the case, please call the “SERVICE CENTRE” to have it replaced.

7.3 - QUARZ TUBES

Periodically check whether the quartz tubes of the Fixed/Basic Salamandra are worn-out, because the moving of the machine from one place to another, could provoke the breakage of the tubes. In this case, please call the “SERVICE CENTRE” to have them replaced.

7.4 - FEET

Feet may deteriorate and loose elasticity, thus reducing the stability of the machine. In this case, please call the “SERVICE CENTRE” to have them replaced.

CHAP. 8 - DISPOSAL OF THE MACHINE

8.1 - PUTTING THE MACHINE OUT OF SERVICE

If for some reason, you decide to put the machine out of service, make sure nobody can use it: **disconnect it from the mains and eliminate the electrical connections.**

***SERVICE CENTRE
AUTHORIZED DEALER***