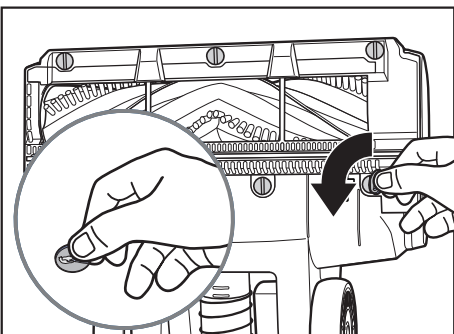


How to replace the brush roll and belt

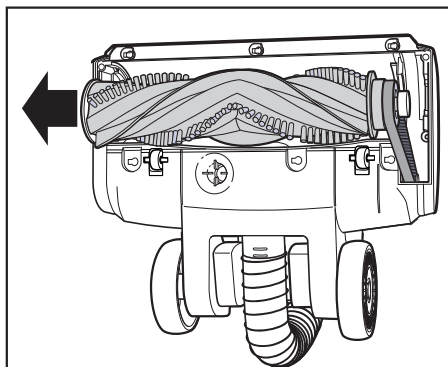


WARNING To reduce the risk of electrical shock:

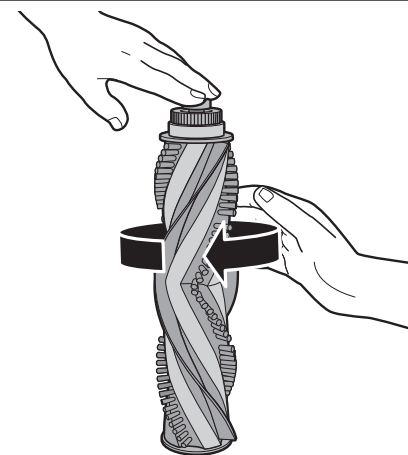
- Turn power switch OFF and disconnect polarized plug from electrical outlet before performing maintenance.
- **IMPORTANT:** Improper installation of the brush roll or belt could cause carpet or vacuum damage.



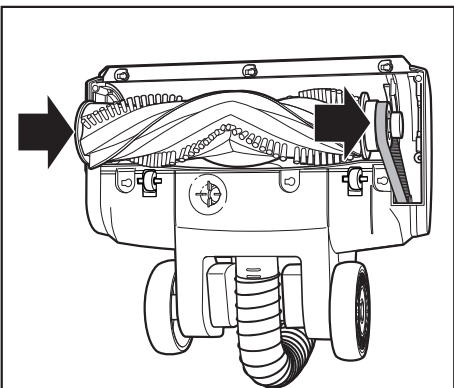
1. Unplug and turn vacuum over. Use coin to turn 6 slats to remove bottom cover.



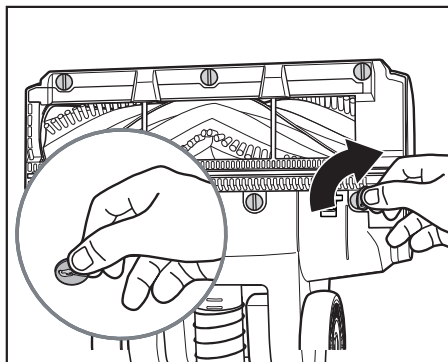
2. Pull brush roll straight out and slide belt off motor gear.



3. Inspect brush roll by placing it on its end and spinning. The brush roll should spin freely, multiple times by one flick. If it doesn't, replace brush roll. Inspect belt for damages and replace if necessary.



4. Place belt back on brush roll. Hook belt back around the motor gear.



5. Reattach bottom cover by turning 6 slats to tighten.

See page 24 or visit www.sanitairecommercial.com to order replacement parts.