

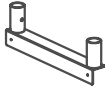
# OVERSHELF ASSEMBLY INSTRUCTIONS

600SOS1230, 600SOS1830, 600SOS1236, 600SOS1836, 600SOS1248, 600SOS1848,  
600SOS1260, 600SOS1860, 600SOS1272, 600SOS1872

**REGENCY**  
Tables and Sinks

## PARTS

A) 2pcs  
L-Brackets



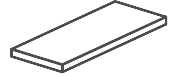
B) 4pcs



C) 8pcs

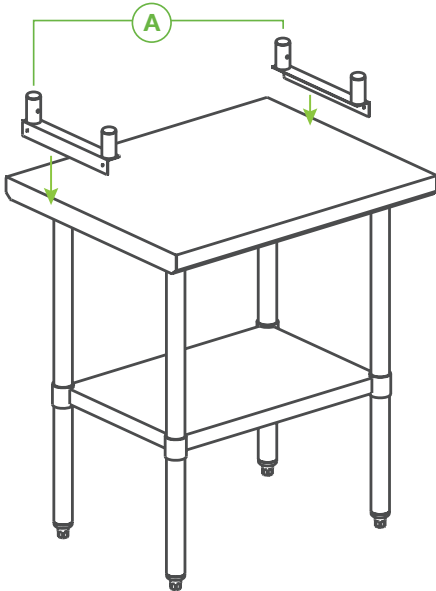


D) 1pc



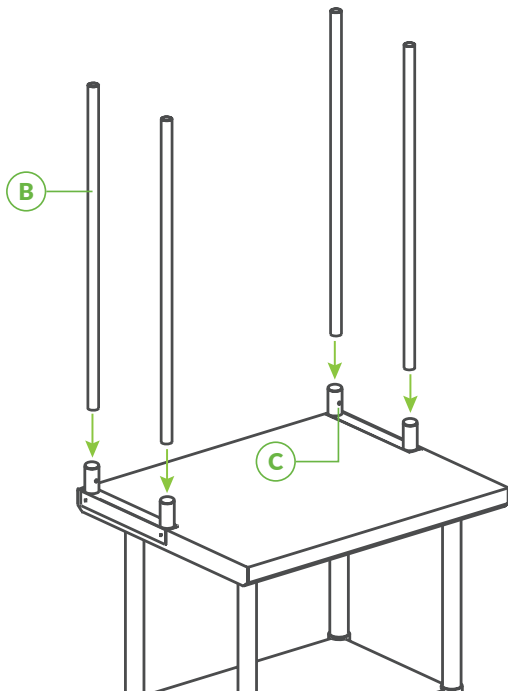
1

Align the two L-brackets (A) with the back of the table and pre-drill holes through the side of the tabletop for screws. Screw L-brackets into the table (screws not included).



2

Secure the four legs (B) to the L-brackets using the Allen wrench and set screws (C) provided.



3

Add the overshelf top (D) and secure the legs into the gussets with the set screws. You may need to loosen a set screw if one struggles to go in.

