

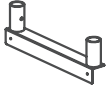
# OVERSHELF ASSEMBLY INSTRUCTIONS

600DOS1230, 600DOS1830, 600DOS1236, 600DOS1836, 600DOS1248, 600DOS1848,  
600DOS1260, 600DOS1860, 600DOS1272, 600DOS1872

**REGENCY**  
Tables and Sinks

## PARTS

A) 2pcs  
L-Brackets



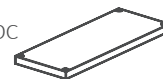
B) 4pcs



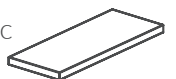
C) 12pcs



D) 1pc

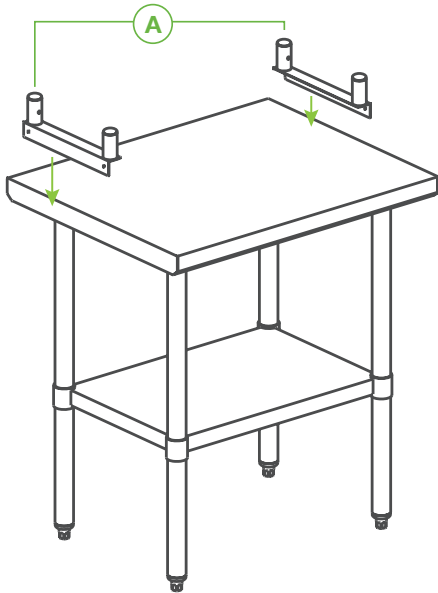


E) 1pc



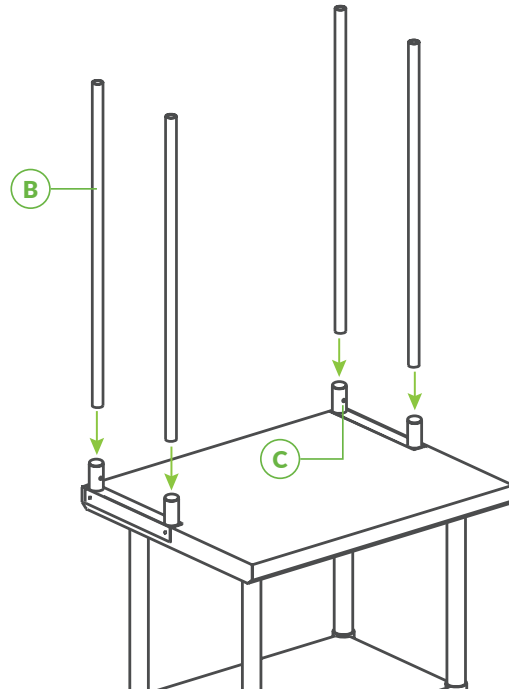
1

Align the two L-brackets (A) with the back of the table and pre-drill holes through the side of the tabletop for screws. Screw L-brackets into the table (screws not included).



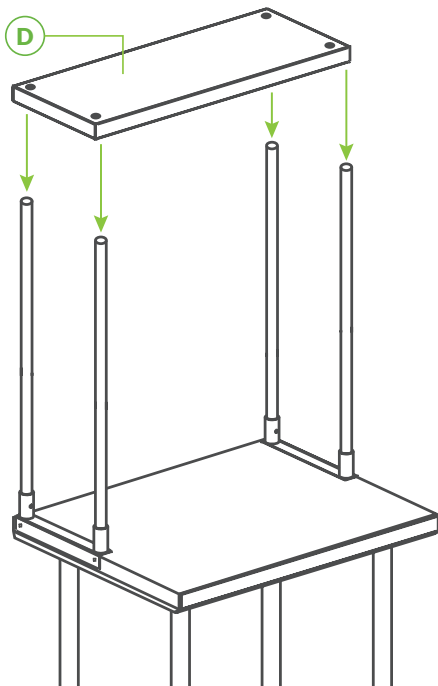
2

Secure the four legs (B) to the L-brackets using the Allen wrench and set screws (C) provided.



3

Slide the midshelf (D) into place and secure it using the set screws.



4

Add the overshelf top (E) and secure the legs into the gussets with the set screws. You may need to loosen a set screw if one struggles to go in.

