

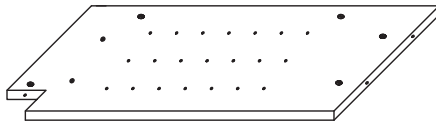
# ASSEMBLY INSTRUCTIONS



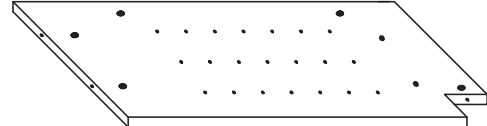
ITEM NO.

164WAITRS5BK  
164WAITRS5WL.

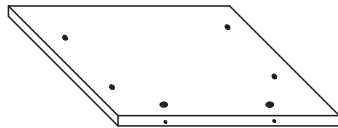
## PART LIST:



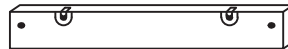
**(1)/1PC**  
Left Side Board  
SIZE: 31in x 22in



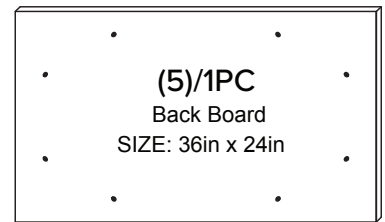
**(2)/1PC**  
Right Side Board  
SIZE: 31in x 22in



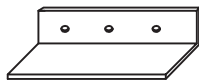
**(3)/1PC**  
Top Board  
SIZE: 24in x 23in



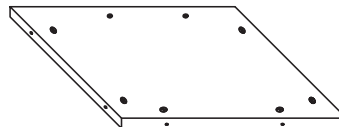
**(4)/1PC**  
Kick Board  
SIZE: 24in x 3in



**(5)/1PC**  
Back Board  
SIZE: 36in x 24in



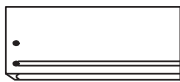
**(6)/4PC**  
Rack Holders  
SIZE: 2in x 3in x 19in



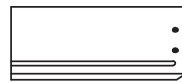
**(7)/1PC**  
Bottom Board  
SIZE: 22in x 22in



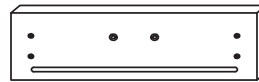
**(8)/1PC**  
Shelf Bottom  
SIZE: 20in x 12in



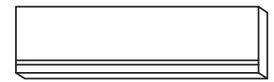
**(9)/1PC**  
Right Drawer Side  
SIZE: 12in x 4in



**(10)/1PC**  
Left Drawer Side  
SIZE: 12in x 4in



**(11)/1PC**  
Front Drawer Side  
SIZE: 24in x 4in



**(12)/1PC**  
Back Drawer Side  
SIZE: 20in x 4in

## HARDWARE LIST:



**(A)**  
Cam Lock  
Screw (26PCS)



**(B)**  
Small Cam  
Lock (2PCS)



**(C)**  
Screws  
(12PCS)



**(D)**  
Shelf Pin  
(6PCS)



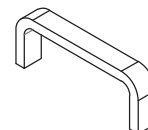
**(E)**  
Machine  
Screw (2PCS)



**(F)**  
Cam Lock  
(26PCS)

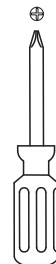


**(G)**  
Drawer  
Track (1PC)



**(H)**  
Handle  
(1PC)

## TOOLS REQUIRED:

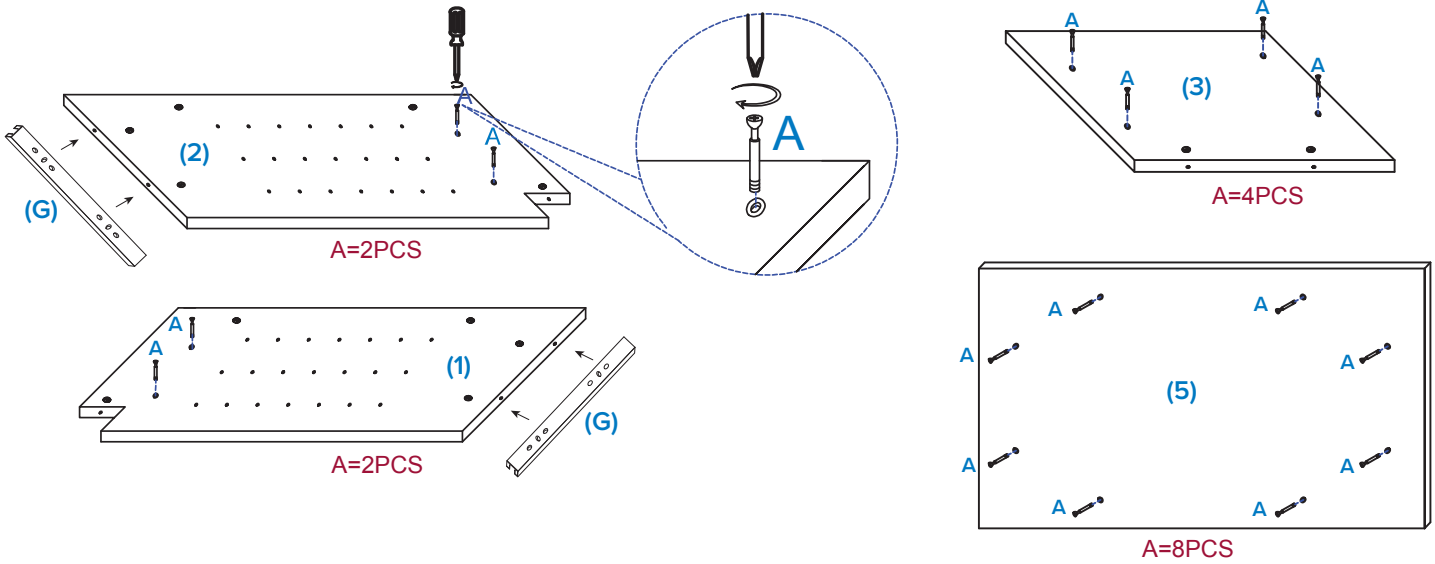


Phillip's Head  
Screwdriver  
(not included)

## STEP 1.

Screw cam lock screws (Ax16) onto side boards (1 and 2), top board (3), and back board (5).

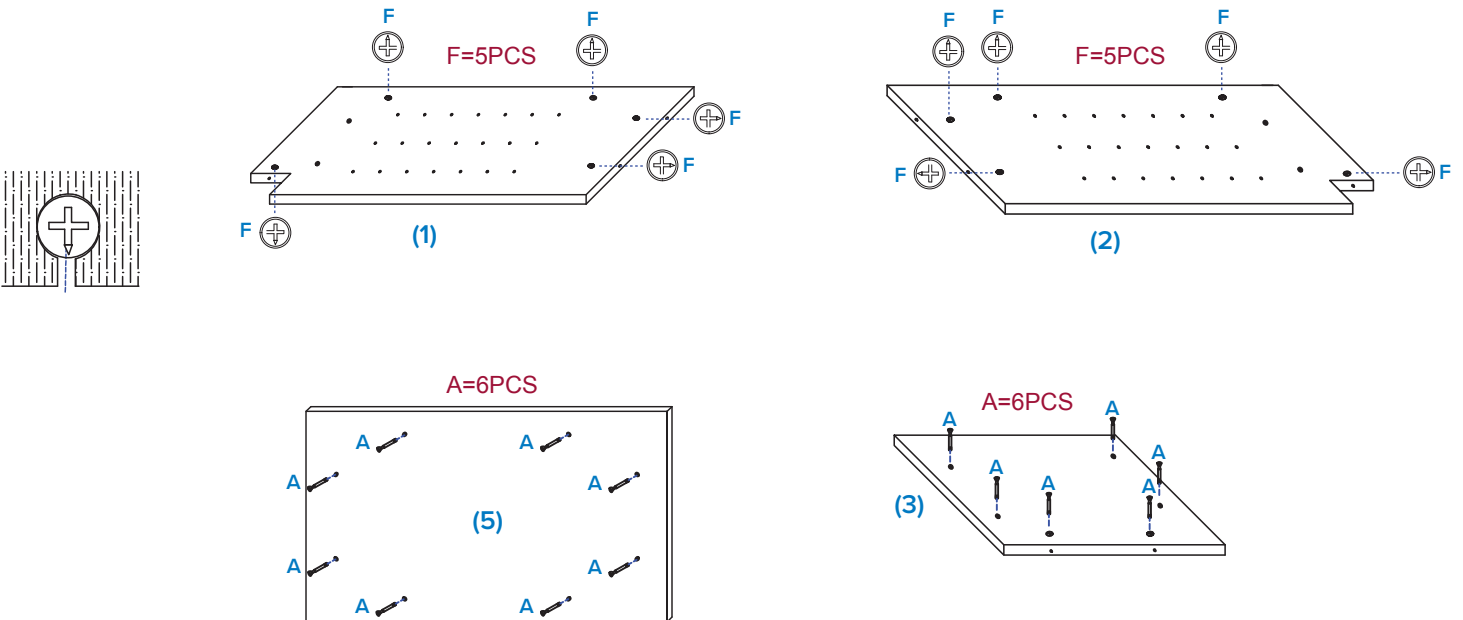
a. Attach tracks onto predrilled holes on side 1 and 2 using the pilot holes to guide you.



## STEP 2.

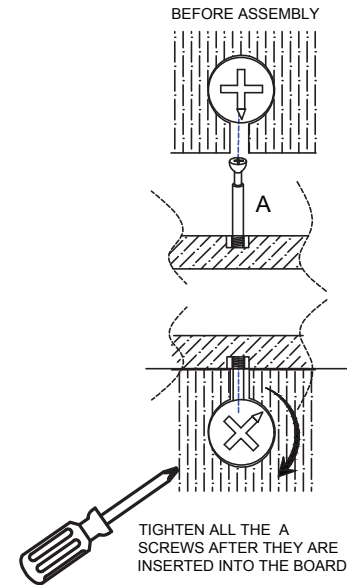
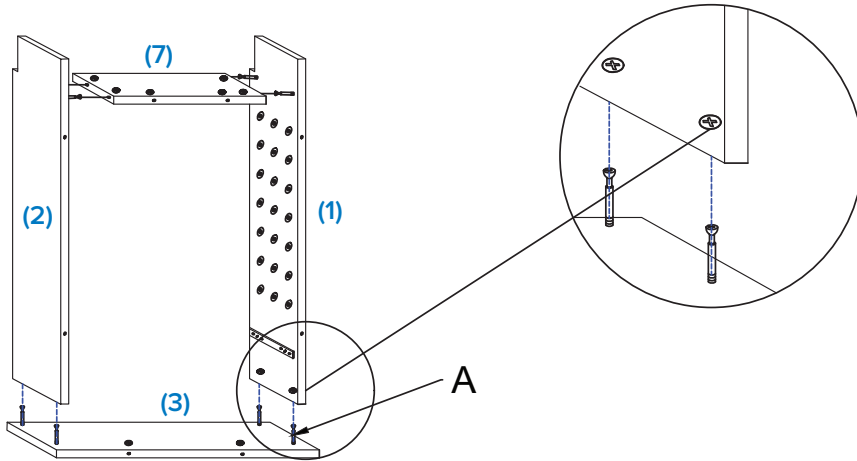
Insert cam lock (Fx12) into top board (3), side boards (1 and 2). Arrow on cam lock should face outer edge where screw will be inserted.

a. Insert cam lock screws (Ax12) into back board (5) and top board (3).



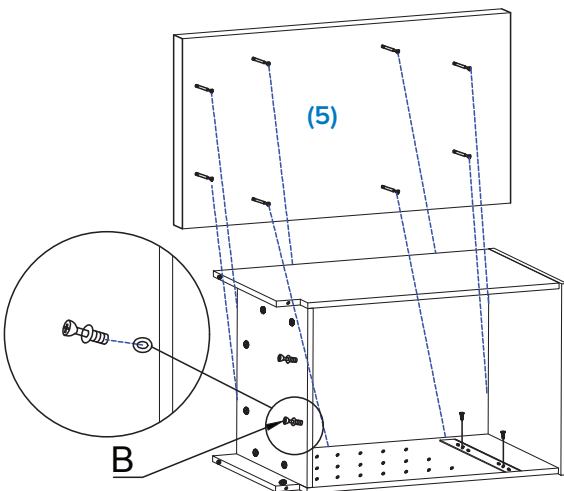
### STEP 3.

1. Lay top board (3) on ground. Add sideboards (1 and 2), line up cam lock screw (Ax4), and cam lock (Fx4). Tighten cam lock (Fx4) with screwdriver once boards are in place.
2. Align bottom board (7) with remaining cam lock screws (A). Tighten cam locks with screwdriver.



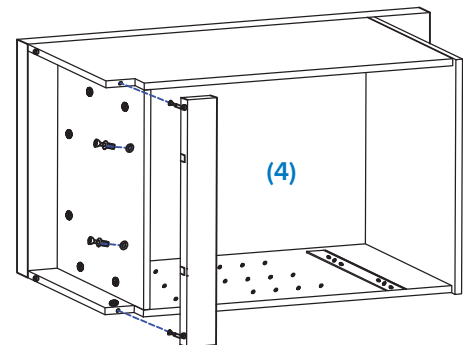
### STEP 4.

1. Rotate the rectangle made in step 3 so that the right side (1) is touching the ground. Then place back board (5) onto the back side of the rectangular piece. Align the cam lock screws (Ax8) in the corresponding holes. Tighten the cam lock (Fx5) with screwdriver.
2. Place 2 small cam lock screws (bx2) in the predrilled holes on the underside of bottom board (7).



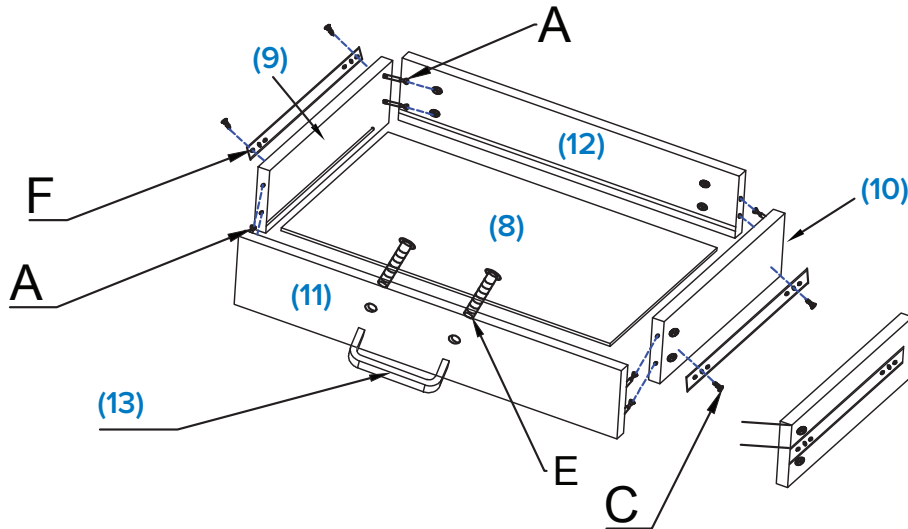
### STEP 5.

- Align 2 screws (B) on bottom board (7) with holes on kickboard (4), press kickboard onto screws.



## STEP 6.

1. Place cam locks (Fx4) into back drawer (12) and place cam lock screws into front drawer (11).
2. Place cam locks (Fx2) and cam lock screws into right and left drawer sides (9 and 10).



## STEP 7.

Use Shelf pins (D) to place stainless steel rack holders (6x4) at desired height.

