

FOCUS

FOODSERVICE, LLC

 **regalware.** WEST BEND.
FOOD SERVICE COMMERCIAL

Use and Care Instructions

English Instructions begin on page 1.

Instructions d'utilisation et d'entretien

Les instructions en Français
commencent en page 8.

Instrucciones para el Uso y Cuidado

Las instrucciones en Español
comienzan en la página 15.



220-240V~
50/60Hz

Bedienungs-und Pflegeanleitung

Die deutsche Gebrauchsanleitung
beginnt auf Seite 22.

Gebruiks en Onderhoudsaanwijzingen

Nederlandse instructies beginnen op pagina 30.

DECLARATION OF CONFORMITY

Product: Coffeemakers

Model No: 57060-220, 57100-220, 58010V, 58015V, 58016V,

This Product Complies with all applicable European Community Directives.

Electromagnetic Compatibility Directive 2004/108/EC; Low Voltage Directive 2006/95/EC

TO PREVENT PERSONAL INJURY OR PROPERTY DAMAGE, READ AND FOLLOW THE INSTRUCTIONS AND WARNINGS IN THIS CARE AND USE INSTRUCTION MANUAL.

IMPORTANT SAFEGUARDS

Use electricity safely and wisely. Observe safety precautions when using your coffeemaker including the following:

- Read all instructions before using.
- Be sure switch is pushed to “o” (“OFF”) before plugging cord into wall outlet. If coffeemaker does not have a switch, be sure coffeemaker contains water or brewed coffee before plugging in. Do not leave coffeemaker plugged in when it is not being used.
- Plug coffeemaker into 220-240 volt AC grounded (earthed) electric outlet ONLY. Ensure that plug is wired correctly as follows.
- Coffeemaker should always be unplugged and allowed to cool before cleaning.
- Do not let cord touch hot surfaces or hang over the edge of a counter, table or surface area.
- Make sure cover, basket and stem are properly attached before coffeemaker is plugged in (see instructions). No part of the coffeemaker should be removed during the brewing cycle as scalding could occur.
- Your coffeemaker, its cord and plug should not be used outdoors, immersed in liquids, placed near a hot electric or gas burner or placed in a heated oven.
- Do not touch coffeemaker when it is hot. Use handles or knob.
- Supervise closely when coffeemaker is used by or near children.
- Use your coffeemaker only for the uses described in this booklet. Do not use attachments with your coffeemaker unless recommended by Focus Foodservice, LLC.
- Do not use your coffeemaker if it or its cord are damaged or not working properly.
- This appliance is not suitable for installation in an area where a water jet could be used.
- This appliance is only to be installed in locations where it can be overseen by trained personnel.
- This appliance is not intended for use by persons (including children) with reduced physical, sensory or mental capabilities, or lack of experience and knowledge, unless they have been given supervision or instruction concerning use of the appliance by a person responsible for their safety.

SAVE THESE INSTRUCTIONS

**WARNING: THIS
APPLIANCE MUST BE GROUNDED
IMPORTANT**

The wires in the mains lead are coloured in accordance with the following code:



BLUE.....NEUTRAL
GREEN & YELLOW.....EARTH
BROWN.....LIVE

As the colours of the wires in the mains lead of this appliance may not correspond with the coloured markings identifying the terminals in your plug proceed as follows:

The wire which is coloured green and yellow must be connected to the terminal in the plug which is marked with the letter "E" or by the earth symbol \perp or coloured green or green and yellow.

The wire which is coloured blue must be connected to the terminal which is marked with the letter N or coloured black.

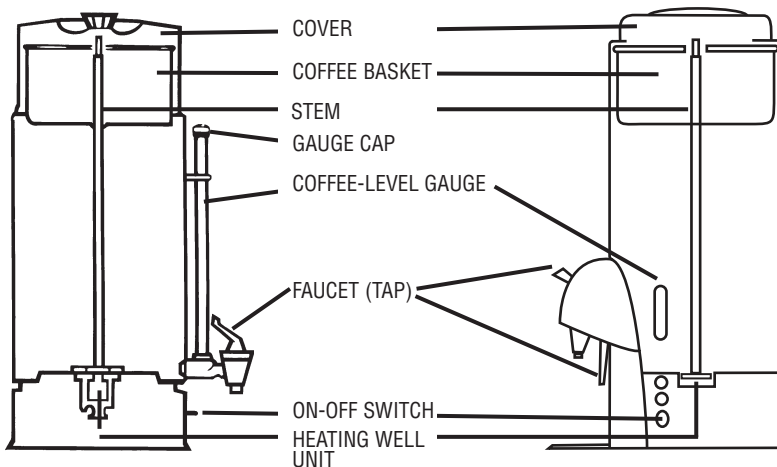
The wire which is coloured brown must be connected to the terminal which is marked with the letter L or coloured red.

If an adaptor is used, be sure adaptor wire and wall outlet are grounded (earthed). If there is any doubt as to whether the outlet is properly grounded (earthed), check with a qualified electrician.

NOTICE

If the supply cord of this appliance is damaged, it must be replaced by a repair shop appointed by the manufacturer because special purpose tools and a special cord are required.

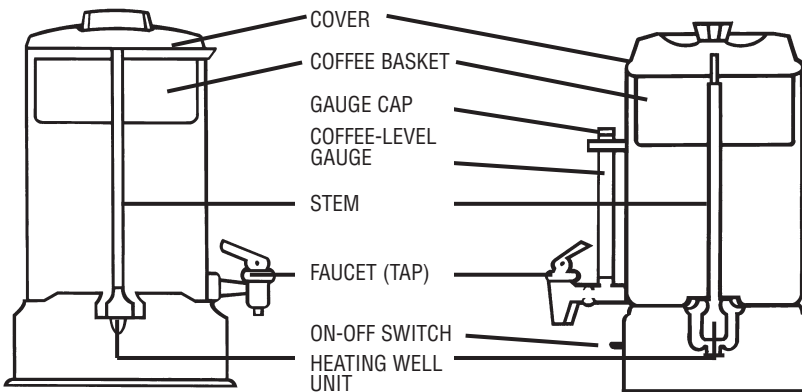
Promptly dispose of any plug that has been cut from the power supply cord.
WARNING: A shock hazard could result if the cut-off plug is inserted in a socket outlet elsewhere in the house.



100 CUP: 58010V

60 CUP: 57060-220

100 CUP: 57100-220



36 CUP: 58016V

55 CUP: 58015V

COFFEE MEASURING GUIDE

These are recommended amounts only – coffee strength can be adjusted to personal taste by adding or subtracting from these quantities.

<i>CUPS*</i>	<i>GROUND COFFEE (MILD)</i>	<i>GROUND COFFEE (STRONG)</i>
12-15	¾ cup (64 g)	1¼ cup (106 g)
20-25	1½ cups (128 g)	2½ cups (213 g)
30-36	2 cups (170 g)	3 cups (255 g)
40-45	2½ cups (213 g)	4 cups (340 g)
50-55	3¼ cups (276 g)	5 cups (425 g)
60-65	3¾ cups (319 g)	6¼ cups (531 g)
80-85	5½ cups (468 g)	7¾ cups (659 g)
95-100	6¾ cups (531 g)	9½ cups (808 g)

*1 cup = 5 oz./150 mL serving

Allow approximately 1 minute per cup brewing time. Voltage changes or variations in water temperature will affect brewing time. **NEVER MAKE LESS THAN THE MINIMUM CAPACITY OR MORE THAN THE MAXIMUM CAPACITY OF YOUR COFFEEMAKER.**

INSTRUCTIONS FOR MAKING COFFEE

1. Before using the first time, clean coffeemaker thoroughly. Refer to Regular Cleaning Instructions on pages 5 and 6.

CAUTION: TO PREVENT PERSONAL INJURY OR ELECTRIC SHOCK, DO NOT IMMERSE COFFEEMAKER, ITS PLUG OR CORD IN WATER OR OTHER LIQUID.

2. Always use coffeemaker on a dry, level surface. Be sure hands are dry.
3. With basket and stem removed, fill coffeemaker with COLD water. Marks on inside of coffeemaker show water levels.
4. Press stem into heating well unit in bottom of coffeemaker; put basket on stem. Put electric perk ground coffee in basket; do not let any fall into stem. Follow proper chart for amount to use. Spread evenly in basket. (Use standard measuring cups as used to measure flour, sugar, etc. to measure coffee.) Amount of coffee can be adjusted to suit taste preference.

SPECIAL NOTE ON GRINDING BEANS: If grinding your own coffee beans, grind to medium coarseness for best results. **DO NOT** grind too fine (powder-like) as this can cause basket to flood.

5. Place cover on coffeemaker, twisting to secure in place inside handles. Note the arrows

on the cover for correct turning. To reduce coffee spills, especially if coffeemaker is tipped over, make sure cover has been turned clockwise until it is completely secured into the handle slots. Care should be used when moving the coffeemaker as the secured cover only temporarily reduces coffee spills if coffeemaker is tipped over.

6. Plug cord into a 220-240 volt AC grounded electric outlet **ONLY**. If coffeemaker has a switch, push switch "I" ("ON").

CAUTION: TO PREVENT PERSONAL INJURY OR PROPERTY DAMAGE, DO NOT ALLOW LONG CORD TO DRAPE OR HANG OVER THE EDGE OF A COUNTERTOP OR TABLETOP WHERE IT CAN BE PULLED ON BY CHILDREN OR TRIPPED OVER. YOUR COFFEEMAKER HAS A LONG CORD FOR EASY ACCESS TO ELECTRIC OUTLET. DO NOT ALLOW CHILDREN TO BE NEAR OR USE THIS COFFEEMAKER WITHOUT CLOSE ADULT SUPERVISION.

7. The coffeemaker will stop perking automatically. (Each cup requires no longer than 1 minute brewing.) Coffee is ready when light in base glows. Coffee will remain at serving temperature as long as coffeemaker is plugged in (and/or switch is "I" ("ON")). Before serving, twist and remove cover. (Some condensation may form on the inside of the coffeemaker handles which is normal.) **Using a hot pad, remove coffee basket and stem. If basket and stem are not removed, bitter oils from the extracted grounds will drip into coffee.** Replace cover making sure it is completely secured in the handle slots.
8. For cup-on-saucer filling, press faucet handle down. Release handle when filled. For a continuous flow when filling a coffee server, lift handle straight up until it holds the open position. Lower handle when server is filled.
9. When about three cups of coffee remain in coffeemaker or when coffee can no longer be seen in glass gauge, unplug cord from wall outlet and push switch "O" ("OFF").
10. To reheat cold coffee, simply plug in coffeemaker and push switch "I" ("ON"). Be sure basket and stem are removed. There must be at least 12 cups of coffee in coffeemaker to reheat.
11. Operate between ambient temperatures 5°C - 45°C (40°F - 110°F).

CAUTION: LIQUID MUST COVER INSIDE BOTTOM OF UNIT AT ALL TIMES. FALLING BELOW THIS LEVEL (APPROX. 2 INCHES) COULD CAUSE OVERHEATING AND DAMAGE TO INTERNAL COMPONENTS. THIS WILL VOID THE WARRANTY.

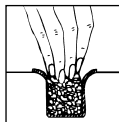
INSTRUCTIONS FOR CLEANING COFFEEMAKER

Regular Cleaning—after each use

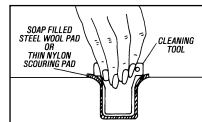
Unplug coffeemaker. **Do not let water contact electrical parts in base.**

Clean inside of coffeemaker by filling with hot water to about one-third its capacity. Add detergent and wash with a sponge or cloth. Scour the heating well unit (into which stem

fits) with special cleaning tool provided and a scouring pad such as Brillo® or Scotch-Brite® Twist pad inside unit well to clean. Unit well must be kept clean for coffeemaker to work properly. Rinse thoroughly with clear hot water and dry.



Clean heating well with scouring pad.



For large units, clean heating well using scouring pad and cleaning tool.

- **Clean faucet (tap)** by letting clear hot water run through it, while moving handle up and down. (Keep faucet (tap) in closed position when not in use.)
- **Clean basket, stem and cover** in hot soapy water. Rinse thoroughly. Do not clean cover in a dishwasher; surface may permanently discolor.
- **Clean outside of coffeemaker** with a damp cloth, then polish with a dry cloth. Sterling silver polish may be used. Do not use scouring pads or powders.

Special Cleaning—every 2 weeks

If coffeemaker is used daily, a special cleaning every 2 weeks (in addition to regular cleaning) is necessary to thoroughly clean the heating well unit. If the heating well unit is not kept clean, the performance of the coffeemaker will be affected.

- Fill coffeemaker with 1 quart each of cold water and white distilled vinegar. Put empty basket and stem in coffeemaker, secure cover on and plug in (and/or push “I” (“ON”). Let coffeemaker run through perking cycle. Let stand 20 minutes. Push “o” (“OFF”) and/or unplug. Drain coffeemaker and cool. (The vinegar and water solution may be saved for future cleaning. Label container of solution indicating its contents and use. Add an additional 1 to 2 cups (16.3 cl to 32.6 cl) of vinegar to the solution when reusing for thorough cleaning.)
- Add a small amount of hot soapy water to coffeemaker and scour interior and heating well unit following regular cleaning instructions. Drain. Wash basket and stem.
- Clean coffee-level gauge (100-cup/16.3 liter and 55-cup/9 liter models) with the brush provided. Unscrew the gauge cap and remove the tube. Clean tube in hot soapy water. Rinse thoroughly. Replace. The brush may also be used to clean the stem.
- Unscrew faucet handle. Move a brush up and down through faucet, then insert brush through opening inside coffeemaker to clean faucet connection. Wash faucet handle in hot soapy water and rinse. Replace faucet handle.
- Rinse inside of coffeemaker and parts thoroughly with clean hot water, then dry.
- Do not use a baking soda solution; it may discolor and pit the surface.

INSTRUCTIONS FOR HEATING WATER FOR INSTANT BEVERAGES

Plain water may be heated in your coffeemaker for use with instant beverages. Simply fill the clean coffeemaker with cold water to the desired cup level and place stem and clean,

empty basket into position as for making coffee. Secure cover in place and plug coffeemaker in. Also push switch to "I" ("ON") position for 55-cup (9 liter), 100-cup (16.3 liter) models. Heat water until perking stops and light in base glows. Twist cover, remove basket and stem with a hot pad and replace cover, making sure it is secured in place. Unplug coffeemaker when less than 3 cups (49 cl) of water remain. Inside of coffeemaker may darken after heating water which is normal and does not affect coffeemaker or water heated.

When coffeemaker is used to heat water only, it must be cleaned well after each use in addition to special weekly cleaning using vinegar to remove mineral deposits. If these deposits are not removed, pitting of the metal can occur and result in damage to coffeemaker. See Special Cleaning Instructions on pages 5 and 6.

Limited Warranty

Your new appliance is warranted by Focus Foodservice, LLC, to be free from defects in material and workmanship under normal use for one (1) year from date of purchase. This warranty shall not cover damage caused by improper use, abuse, accidents, overheating or alterations to the product, nor does it cover damage resulting from service by persons other than those authorized by Focus Foodservice, LLC. This warranty is limited to the original purchaser only.

FOCUS FOODSERVICE, LLC LIABILITY UNDER THIS WARRANTY IS LIMITED TO THE REPAIR OR REPLACEMENT OF THE DEFECTIVE PRODUCT AT FOCUS FOODSERVICE, LLC SOLE OPTION. FOCUS FOODSERVICE, LLC SHALL NOT BE LIABLE FOR ANY INCIDENTAL OR CONSEQUENTIAL DAMAGES, WHETHER DIRECT OR INDIRECT.

THIS WARRANTY IS EXPRESSLY GRANTED IN LIEU OF ALL OTHER WARRANTIES INCLUDING THE IMPLIED WARRANTIES OF MERCHANTABILITY AND FITNESS FOR A PARTICULAR PURPOSE.

Foodservice Customers
Focus Foodservice, LLC
Retail Service Department
300 Knightsbridge Parkway Suite 500
Lincolnshire, IL 60069
800-968-3918 | (8:00 AM - 5:00 PM Central)
www.focusfoodservice.com

Household and Consumer
Focus Electrics, LLC
Consumer Service Department
P.O. Box 2780 | West Bend, WI 53095
866-290-1851 | (8:00 AM - 4:30 PM Central)
www.westbend.com

Warranty valid only in USA and Canada

PERCOLATEUR

Notice d'entretien et d'utilisation

AFIN D'ÉVITER TOUTE BLESSURE OU TOUT DÉGÂT MATÉRIEL, LIRE ET SE CONFORMER AUX CONSIGNES ET/OU AVERTISSEMENTS FIGURANT DANS CETTE NOTICE D'ENTRETIEN ET D'UTILISATION.

PRÉCAUTIONS IMPORTANTES


L'utilisation d'appareils électriques impose des précautions. Observez donc toutes les précautions qui s'imposent lorsque vous utilisez votre percolateur :

- Lire la notice en entier avant de l'utiliser.
- Assurez-vous de placer l'interrupteur sur la position « 0 » (ARRÊT) avant de brancher le cordon dans la prise murale. En l'absence d'interrupteur, s'assurer que le percolateur contient de l'eau ou du café infusé avant de le brancher. Ne pas laisser le percolateur branché lorsqu'il n'est pas utilisé.
- Brancher le percolateur **UNIQUEMENT** dans une prise munie d'une borne de terre de 220-240 volts secteur. S'assurer que la prise est convenablement câblée de la façon suivante.
- Toujours débrancher le percolateur et le laisser refroidir avant de le nettoyer.
- Ne pas laisser le cordon toucher de surfaces chaudes ou pendre du bord d'un plan de travail ou d'une table.
- Vérifier que le couvercle, le panier et la tige sont convenablement fixés avant de brancher le percolateur (voir la notice). Ne retirer aucune pièce du percolateur pendant le cycle de percolation ; ceci provoquerait des brûlures.
- Ne pas utiliser le percolateur, son cordon et ses prises à l'extérieur, ne pas les immerger dans des liquides, les placer à proximité d'un brûleur de cuisinière à gaz ou électrique et ne pas les mettre dans un four chaud.
- Ne pas toucher le percolateur lorsqu'il est chaud. Utiliser les poignées ou le bouton.
- Surveiller attentivement lorsque le percolateur est utilisé par des enfants ou à leur proximité.
- N'utiliser le percolateur que pour les usages décrits dans ce livret. N'utiliser d'accessoires que s'ils sont conseillés par la Focus Foodservice, LLC.
- Ne pas utiliser le percolateur s'il est, ou si son cordon est endommagé ou s'il ne fonctionne pas convenablement.
- Cette machine ne convient pas pour une installation dans un endroit où un jet d'eau pourrait être utilisé.
- Cette machine ne doit être installée que dans des endroits où elle peut être supervisée par un personnel qualifié.
- Cette machine n'est pas conçu pour être utilisé par une personne (y compris un enfant) avec des capacités physiques, sensorielles ou mentales réduites, ou qui ne possède pas l'expérience et les connaissances requises, sauf si elle est supervisée ou formée sur son utilisation par la personne qui est responsable de sa sécurité.

CONSERVER CETTE NOTICE

AVERTISSEMENT : CET APPAREIL DOIT ÊTRE MIS À LA TERRE IMPORTANT

Les fils de ce conducteur sont colorés en fonction du code suivant :

	BLEU.....NEUTRE
	VERT ET JAUNE.....TERRE
	MARRON.....PHASE

La couleur des fils des conducteurs principaux de cet appareil risquant de ne pas correspondre aux repères de couleur identifiant les bornes de votre prise, procéder de la façon indiquée cidessous.

Raccorder le fil de couleur jaune et vert à la borne de la prise sur laquelle figure la lettre E ou le symbole \perp ou qui est de couleur jaune et vert.

Raccorder le fil de couleur bleue à la borne sur laquelle figure la lettre N ou qui est de couleur noire.

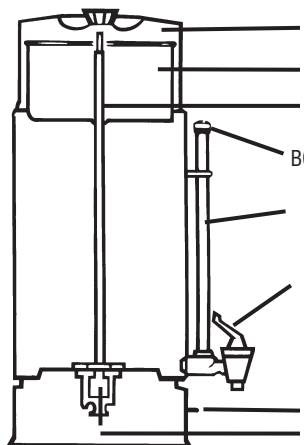
Raccorder le fil de couleur marron à la borne sur laquelle figure la lettre L ou qui est de couleur rouge.

Si l'on utilise un adaptateur, s'assurer qu'il est muni d'un cordon et d'une fiche de sécurité et qu'il est mis à la terre. Si l'on n'est pas certain que la prise soit convenablement mise à la terre, consulter un électricien qualifié.

AVIS

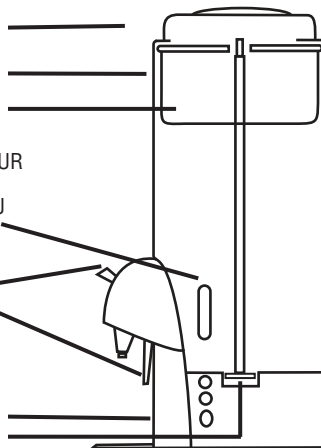
Si le cordon d'alimentation de cet appareil est endommagé, le faire remplacer dans un atelier de réparation désigné par le fabricant car il faut des outils et un cordon spéciaux.

Jeter immédiatement toute fiche coupée du cordon d'alimentation. **AVERTISSEMENT :** Une fiche coupée introduite dans une prise de la maison risque de provoquer des secousses électriques.



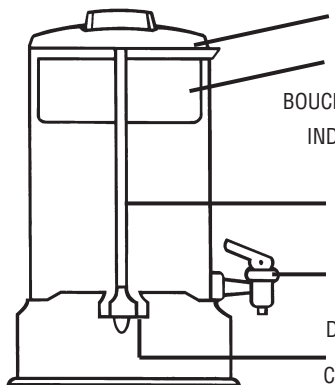
16,3 LITRES: 58010V

COUVERCLE
 PANIER-FILTRE
 TIGE
 BOUCHON DE L'INDICATEUR
 INDICATEUR DE NIVEAU
 DU CAFÉ
 ROBINET
 INTERRUPTEUR
 DE MARCHÉ/ARRÊT
 CAVITÉ DE L'UNITÉ
 DE CHAUFFAGE



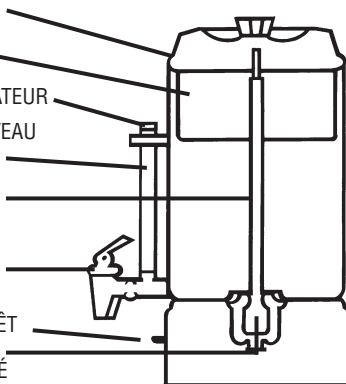
14,2 LITRES: 57060-220

16,3 LITRES: 57100-220



5,8 LITRES: 58016V

COUVERCLE
 PANIER-FILTRE
 BOUCHON DE L'INDICATEUR
 INDICATEUR DE NIVEAU
 DU CAFÉ
 TIGE
 ROBINET
 INTERRUPTEUR
 DE MARCHÉ/ARRÊT
 CAVITÉ DE L'UNITÉ
 DE CHAUFFAGE



9 LITRES: 58015V

GUIDE DE MESURE DU CAFÉ

Il s'agit uniquement de recommandations – la robustesse du café s'ajuste en fonction des goûts personnels en modifiant plus ou moins ces quantités.

<u>TASSES*</u>	<u>CAFÉ MOULU (LÉGER)</u>	<u>CAFÉ MOULU (FORT)</u>
12-15	64 g	106 g
20-25	128 g	213 g
30-36	170 g	255 g
40-45	213 g	340 g
50-55	276 g	425 g
60-65	319 g	531 g
80-85	468 g	659 g
95-100	531 g	808 g

*1 tasse = 150 ml

Comptez une minute environ de temps de filtrage par tasse. Les fluctuations de tension et les variations de température d'eau influenceront sur le temps de filtrage. **NE FAITES JAMAIS MOINS QUE LA CAPACITÉ MINIMUM OU PLUS QUE LA CAPACITÉ MAXIMALE DANS VOTRE CAFETIÈRE.**

POUR FAIRE DU CAFÉ

1. Nettoyer le percolateur à fond avant la première utilisation. Se reporter aux consignes de nettoyage ordinaire de à la pages 13 et 14.

ATTENTION : POUR DIMINUER LE RISQUE DE SECOUSSE ÉLECTRIQUE, NE PAS IMMERGER LE PERCOLATEUR, SA FICHE OU SON CORDON DANS DE L'EAU OU TOUT AUTRE LIQUIDE.

2. Toujours utiliser le percolateur sur une surface sèche et horizontale. Ne le toucher qu'avec des mains sèches.
3. Après avoir enlevé le panier-filtre et la tige, remplir le percolateur d'eau FROIDE. Les repères à l'intérieur de la cafetière indiquent les niveaux d'eau.
4. Enfoncer la tige dans la cavité de l'unité de chauffage au fond du percolateur ; mettre le panier-filtre sur la tige. Mettre du café moulu pour percolateur dans le panier-filtre ; ne pas en faire tomber dans la tige. Suivre le tableau correspondant pour savoir la quantité à utiliser. L'étaler uniformément dans le panier-filtre. (Utiliser des tasses mesure standard pour mesurer le café, comme celles utilisées pour mesurer la farine, le sucre, etc.). On peut modifier la quantité de café pour l'adapter au goût.

REMARQUE SPÉCIALE SUR LA MANIÈRE DE MOUDRE LES GRAINS : Si l'on moud son café soi-même, c'est en le moulant à une grosseur moyenne que l'on obtient les meilleurs résultats. **NE PAS** moudre trop fin (c'est-à-dire comme de la poudre) car cela peut faire déborder le panier.

- Placer le couvercle sur le percolateur en tournant pour verrouiller le panier en place à l'intérieur des poignées. Remarquer les flèches sur le couvercle indiquant le sens dans lequel il faut tourner. Pour minimiser les quantités renversées, surtout en cas de basculement accidentel, tourner le couvercle à fond dans le sens des aiguilles d'une montre pour le bloquer complètement en place, à l'intérieur des encoches des poignées. Il faut prendre des précautions lorsqu'on déplace le percolateur car le couvercle blocable empêche momentanément la plus grande partie du café de se renverser si le percolateur bascule.
- Brancher le cordon dans une prise 220-240 V avec borne de terre UNIQUEMENT. Si la cafetière comprend un interrupteur, placez-le sur la position « I » (MARCHE).

ATTENTION : LE PERCOLATEUR EST MUNI D'UN LONG CORDON AFIN DE FACILITER L'ACCÈS À LA PRISE ÉLECTRIQUE. POUR EMPÊCHER TOUT RISQUE DE BLESSURE OU DE DÉGÂTS MATÉRIELS, NE PAS LAISSER UN LONG CORDON PENDRE DU BORD D'UN PLAN DE TRAVAIL OU D'UNE TABLE CAR DES ENFANTS RISQUERAIENT DE TIRER DESSUS OU DES PERSONNES POURRAIENT TRÉBUCHER DESSUS. NE PAS LAISSER D'ENFANTS S'APPROCHER DE CE PERCOLATEUR OU L'UTILISER SANS LA SURVEILLANCE ATTENTIVE D'UN ADULTE.

- Le percolateur s'arrête automatiquement une fois toute l'eau passée. (Il ne faut pas plus d'une minute par 16,3 cl). Le café est prêt lorsque le voyant situé sur la base s'illumine. Le café reste chaud, à la température de service tant que la cafetière est branchée (et/ou si l'interrupteur se trouve sur « I » (MARCHE). Débloquer et retirer le couvercle avant de servir. (Il est possible que de la condensation se forme à l'intérieur des poignées du percolateur, ce qui est normal).
Retirer le panier-filtre et la tige à l'aide d'une manique. Si l'on ne retire pas le panier-filtre et la tige, des huiles de goût amer provenant du marc s'égouttent dans le café. Replacer le couvercle en s'assurant qu'il est complètement bloqué dans les encoches des poignées.
- Pour remplir une tasse, appuyer sur la manette du robinet vers le bas. Relâcher la manette une fois la tasse pleine. Pour obtenir un écoulement continu afin de remplir une verseuse, lever la manette droit vers le haut jusqu'à ce qu'elle se bloque en position ouverte. Abaisser la manette une fois la verseuse pleine.
- Lorsqu'il reste environ trois tasses de café dans la cafetière ou que vous ne pouvez plus voir le café dans le tube de niveau, débranchez le cordon de la prise murale et placez l'interrupteur sur « o » (ARRÊT).
- Pour réchauffer du café froid, branchez simplement la cafetière et placez l'interrupteur sur « I » (MARCHE). S'assurer que le panier-filtre et la tige ont été retirés. Il faut qu'il reste au moins 0,2 litre de café dans le percolateur pour réchauffer.
- Fonctionne à une température ambiante entre 5 et 45°C (40 et 110°F).

ATTENTION : LE LIQUIDE DOIT TOUJOURS RECOUVRIR LE FOND DE L'APPAREIL. UN NIVEAU DE LIQUIDE INSUFFISANT (MOINS DE 10 CM) RISQUE DE CAUSER UNE SURCHAUFFE ET D'ENDOMMAGER LES COMPOSANTS INTERNES, CE QUI ANNULERA LA GARANTIE.

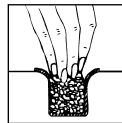
NETTOYAGE DU PERCOLATEUR

Nettoyage ordinaire : après chaque utilisation

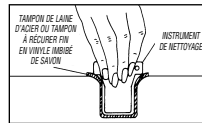
Débrancher le percolateur. **Ne pas laisser d'eau entrer en contact avec les parties électriques à la base.**

Nettoyer l'intérieur du percolateur en le remplissant d'eau chaude jusqu'à environ $\frac{1}{3}$ de sa capacité.

Ajouter du détergent et laver avec une éponge ou un torchon. Récurer la cavité de l'élément de chauffage (dans laquelle se loge la tige) à l'aide de l'outil spécial fourni et d'un tampon à récurer tel que Brillo® ou Scotch-Brite.® Bien tourner le tampon à l'intérieur de la cavité pour la nettoyer. Il faut que la cavité soit propre pour que le percolateur fonctionne bien. Rincer à fond à l'eau chaude et sécher.



Nettoyez la cavité de chauffe avec un tampon à récurer.



Sur les grands modèles, nettoyez le compartiment de l'élément chauffant avec un tampon à récurer et l'instrument de nettoyage.

- **Nettoyer le robinet** en laissant s'écouler de l'eau chaude sans produit tout en relevant et abaissant la manette. (Laisser le robinet fermé lorsqu'on ne l'utilise pas).
- **Nettoyer le panier-filtre, la tige et le couvercle** à l'eau chaude savonneuse. Rincer à fond. Ne pas nettoyer le couvercle dans un lave-vaisselle ; la surface peut se décolorer de manière irréversible.
- **Nettoyer l'extérieur du percolateur** avec un chiffon humide, puis le faire briller avec un chiffon sec. On peut utiliser un produit pour argenterie. Ne pas utiliser de tampons ou de poudres à récurer.

Nettoyage spécial : tous les quinze jours

Si l'on utilise le percolateur tous les jours, un nettoyage spécial s'impose tous les quinze jours en plus du nettoyage ordinaire afin de nettoyer à fond la cavité de chauffage. Une cavité de chauffage encrassée empêche le bon fonctionnement de l'appareil.

- Remplir le percolateur d'un litre d'eau froide et d'un litre de vinaigre d'alcool. Placez le panier-filtre et la tige dans la cafetière, fixez bien le couvercle, puis branchez la cafetière (et/ou placez l'interrupteur sur « 1 » (MARCHE)). Laisser le percolateur fonctionner pendant la durée d'un cycle de percolation. Laisser pendant 20 minutes. Appuyez sur « 0 » (ARRÊT) et/ou débranchez. Vidanger le percolateur et le laisser refroidir. (On peut conserver la solution d'eau et de vinaigre d'alcool pour un autre nettoyage. Étiqueter le récipient de solution en indiquant le contenu et l'usage. Ajouter de 16,3 à 32,6 cl de vinaigre à la solution lors de la réutilisation pour un nettoyage à fond).
- Ajouter une petite quantité d'eau savonneuse au percolateur et récurer la cavité de chauffage en suivant la méthode ordinaire de nettoyage. Vidanger. Laver le panier-filtre et la tige.
- Nettoyer l'indicateur de niveau de café (modèles de 16,3 et de 9 litres) avec la brosse fournie. Dévisser le bouchon de l'indicateur et retirer le tube. Nettoyer le tube avec de l'eau chaude savonneuse. Le rincer à fond. Le replacer. On peut également utiliser la brosse pour nettoyer la tige.
- Dévisser la manette du robinet. Brosser le robinet de haut en bas et inversement, puis introduire la brosse dans l'ouverture à l'intérieur du percolateur pour nettoyer le raccordement avec le robinet. Laver la manette du robinet dans l'eau chaude savonneuse et rincer. Replacer la manette du robinet.

- Rincer l'intérieur du percolateur et ses pièces avec de l'eau chaude propre, puis sécher.
- Ne pas utiliser de solution de bicarbonate de sodium et ce, pour ne décolorer et piquer la surface.

CHAUFFAGE DE L'EAU POUR BOISSONS INSTANTANÉES

Le percolateur peut servir à faire chauffer de l'eau à utiliser pour les boissons instantanées. Il suffit de remplir le percolateur d'eau froide jusqu'au niveau correspondant au nombre de tasses voulu et de mettre la tige et le panier vide propre en place comme pour faire du café. Bloquer le couvercle en place et brancher le percolateur. Placez également l'interrupteur sur la position « I » (MARCHE) pour les modèles de 9 litres et 16,3 litres. Chauffer l'eau jusqu'à ce que l'eau s'arrête de circuler et que le voyant de la base s'allume. Débloquer le couvercle, retirer le panier et la tige à l'aide d'une manique et replacer le couvercle, en veillant à bien le remettre en place. Débrancher le percolateur lorsqu'il reste moins de 49 cl d'eau. L'intérieur du percolateur peut noircir après avoir fait chauffer de l'eau, ce qui est normal et ne nuit ni au percolateur, ni à l'eau chauffée.

Lorsque le percolateur ne sert qu'à faire chauffer de l'eau, il faut le nettoyer soigneusement après chaque utilisation en plus du nettoyage hebdomadaire spécial en utilisant du vinaigre pour enlever les dépôts de calcaire. Si l'on n'enlève pas ces dépôts, le métal peut se piquer, ce qui risque d'endommager le percolateur. Voir les consignes sur le nettoyage spécial aux pages 13 et 14.

Garantie limitée

Focus Foodservice, LLC garantit que votre nouvel appareil sera dépourvu de vices de fabrication et de matériaux dans des conditions normales d'utilisation pour une période d'un (1) an à partir de la date d'achat. Cette garantie ne couvrira pas des dommages occasionnés par une mauvaise utilisation, des abus, des accidents, trop de chaleur ou des modifications du produit, ni des dommages occasionnés par un service par des personnes autres que celles autorisées par Focus Foodservice, LLC. La présente garantie se limite à l'acheteur initial.

LA RESPONSABILITÉ DE FOCUS FOODSERVICE, LLC EN VERTU DE LA PRÉSENTE GARANTIE EST LIMITÉE, À LA SEULE DISCRÉTION DE FOCUS FOODSERVICE, LLC, À LA RÉPARATION OU AU REMPLACEMENT DU PRODUIT DÉFECTUEUX. FOCUS FOODSERVICE, LLC N'EST RESPONSABLE D'AUCUNS DÉGATS FORTUITS OU ACCESSOIRES, QU'ILS SOIENT DIRECTS OU INDIRECTS.

LA PRÉSENTE GARANTIE EST EXPRESSÉMENT ACCORDÉE EN REMPLACEMENT DE TOUTE AUTRE GARANTIE, Y COMPRIS LES GARANTIES IMPLICITES DE VALEUR MARCHANDE ET DE PERTINENCE PAR RAPPORT À UNE FIN PARTICULIÈRE.

Foodservice or Commercial Customers

Focus Foodservice, LLC
Retail Service Department
300 Knightsbridge Parkway Suite 500
Lincolnshire, IL 60069
800-968-3918 | (8:00 AM - 5:00 PM Central)
www.focusfoodservice.com

Household and Consumer

Focus Electric, LLC
Consumer Service Department
P.O. Box 2780 | West Bend, WI 53095
866-290-1851 | (8:00 AM - 4:30 PM Central)
www.westbend.com

Warranty valid only in USA and Canada

CAFETERA AUTOMÁTICA

Instrucciones de cuidado y uso

PARA PREVENIR LESIONES PERSONALES O DAÑOS A LA PROPIEDAD, LEA Y SIGA LAS INSTRUCCIONES Y/O ADVERTENCIAS CONENIDAS EN ESTE MANUAL DE INSTRUCCIONES DE CUIDADO Y USO.



PRECAUCIONES IMPORTANTES



Use la electricidad de manera segura y precavida. Observe las precauciones de seguridad cuando use su cafetera incluyendo las siguientes:

- Lea todas las instrucciones antes del uso.
- Cerciórese de que el interruptor esté en la posición de apagado “o” antes de enchufar el cable en el tomacorriente. Si la cafetera no tiene un interrupter, asegúrese de que la cafetera tenga agua o café preparado antes de enchufarla. No deje la cafetera enchufada cuando no esté en uso.
- Enchufe la cafetera SOLO en un tomacorriente conectado a tierra de corriente alterna de 220-240 voltios. Asegúrese de que el enchufe esté cableado correctamente como sigue:
- La cafetera debe siempre estar desenchufada y dejarse enfriar antes de limpiarla.
- No deje que el cable eléctrico toque superficies calientes ni que cuelgue por el borde del mostrador o de la mesa.
- Asegúrese de que la tape, la cesta y la vara estén debidamente instaladas antes de enchufar la cafetera (vea la instrucciones). No debe retirarse ninguna pieza de la cafetera durante los ciclos de preparación de café ya que pueden producirse quemaduras.
- Su cafetera, el cable eléctrico y los enchufes no deben usarse a la intemperie, sumergirse en líquidos, colocarse cerca de quemadores eléctricos o de gas calientes ni colocarse en un horno calentado.
- No toque la cafetera cuando esté caliente. Use las asas o la perilla.
- Supervise con atención cuando haya niños usando la cafetera o en su cercanía.
- Use la cafetera sólo para los usos descritos en este folleto. No use aditamentos con la cafetera a menos que sean recomendados por Focus Foodservice, LLC.
- No use la cafetera ni el cable eléctrico si están dañados o no funcionan bien.
- Este artefacto no es adecuado para que se instale en un área en donde se puedan usar chorros de agua.
- Este artefacto sólo se debe instalar en lugares donde lo pueda supervisar personal capacitado.
- Este aparato no fue creado para ser usado por personas (incluidos niños) con capacidades físicas, sensoriales o mentales reducidas, o falta de experiencia y conocimientos, a no ser que hayan recibido supervisión o instrucción con respecto al uso del aparato por una persona responsable por su seguridad.

CONSERVE ESTAS INSTRUCCIONES

ADVERTENCIA: ESTA APARATO DEBE ESTAR CONECTADO A TIERRA

IMPORTANTE

Los alambres dentro de este cable principal están coloreados según el código siguiente:



AZUL.....NEUTRO

VERDE Y AMARILLO.....TIERRA

CAFÉ.....ENERGIZADO

Puesto que los colores de los alambres en el cable principal de este aparato pueden no corresponder a las marcas de colores que identifican los terminales en el enchufe, proceda como se indica:

El alambre de color verde y amarillo debe conectarse al terminal en el enchufe que está marcado con la letra E o con el símbolo de tierra \perp o color verde o verde y amarillo.

El alambre de color azul debe conectarse al terminal marcado con la letra N o de color negro.

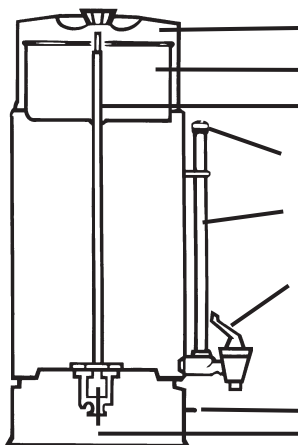
El alambre de color café debe conectarse al terminal marcado con la letra L o de color rojo.

Si se usa un adaptador, compruebe que el adaptador y el tomacorriente de la pared estén conectados a tierra. Si cabe alguna duda sobre la conexión a tierra correcta del tomacorriente, hágala revisar por un electricista capacitado.

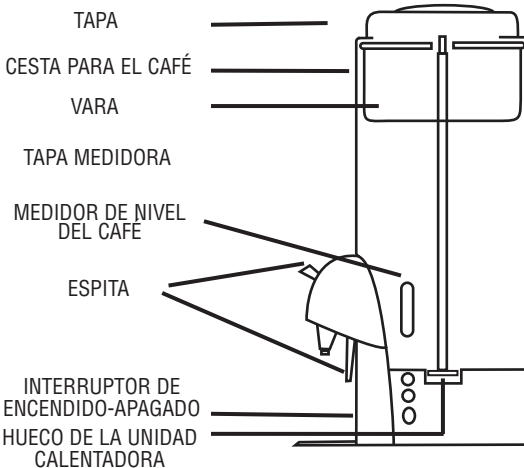
AVISO

Si el cable de alimentación de este aparato está dañado, debe reemplazarlo un taller de reparaciones autorizado por el fabricante porque se requieren herramientas especializadas y un cable específico.

Deseche rápidamente todo enchufe que se haya cortado del cable de alimentación. **ADVERTENCIA:** Podría existir peligro de descarga eléctrica si se inserta el enchufe cortado en un receptáculo de otras partes de la casa.

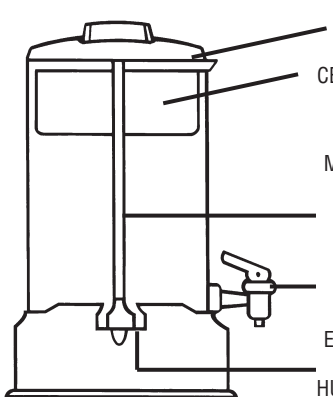


16,3 LITROS: 58010V

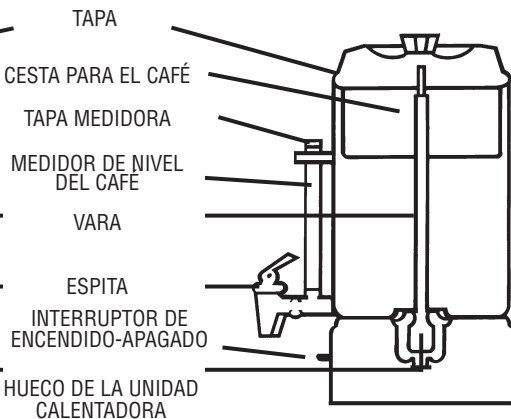


14,2 LITROS: 57060-220

16,3 LITROS: 57100-220



5,8 LITROS: 58016V



9 LITROS: 58015V

GUÍA PARA MEDIR CAFÉ

Éstas son solamente cantidades recomendadas – el grado de concentración del café puede ajustarse al gusto personal poniendo más o menos cantidad.

<u>TAZAS*</u>	<u>CAFÉ MOLIDO (SUAVE)</u>	<u>CAFÉ MOLIDO (FUERTE)</u>
12-15	64 g	106 g
20-25	128 g	213 g
30-36	170 g	255 g
40-45	213 g	340 g
50-55	276 g	425 g
60-65	319 g	531 g
80-85	468 g	659 g
95-100	531 g	808 g

*1 taza =150mL

Deje pasar aproximadamente 1 minuto de preparación por taza. Los cambios de voltaje o las variaciones de temperatura del agua afectarán el tiempo de preparación. **NUNCA PREPARE MENOS DE LA CAPACIDAD MÍNIMA O MÁS DE LA CAPACIDAD MÁXIMA DE LA CAFETERA.**

INSTRUCCIONES PARA PREPARAR CAFÉ

1. Antes de usar la cafetera por primera vez, límpiela totalmente. Consulte las Instrucciones de Limpieza regular, a las páginas 19 y 20.

PRECAUCIÓN: PARA REDUCIR EL RIESGO DE DESCARGA ELECTRICA, NO SUMERJA LA CAFETERA, NI SU ENCHUFE O CABLE EN AGUA NI OTROS LIQUIDOS.

2. Siempre use la cafetera sobre una superficie seca y nivelada. Revise que tenga las manos secas.
3. Habiendo retirado la cesta y la vara, llene la cafetera con agua FRÍA. Las marcas en el interior de la cafetera indican el nivel del agua.
4. Presione la vara dentro del hueco de la unidad calentadora en el fondo de la cafetera; ponga la cesta en la vara. Coloque el café molido especialmente para cafetera eléctrica en la cesta; no lo deje caer en la vara. Siga la table correcta para saber la cantidad a user. Extiéndalo en forma pareja dentro de la cesta. La cantidad de café puede ajustarse según su preferencia.

NOTA ESPECIAL SOBRE LA MOLIENDA DE GRANOS: Si muele usted mismo su propio café, muélalo hasta lograr un grosor mediano para obtener los mejores resultados. **NO** muele los granos demasiado finos (como polvo) ya que puede hacer inundarse la cesta.

5. Colóquele la tapa a la cafetera, girándola para trabarla en posición dentro de las asas. Observe las flechas de la tapa para girarla correctamente. Para minimizer los derrames de

café, especialmente si la cafetera se cae accidentalmente, asegúrese de que la tapa se haya girado hacia la derecha hasta quedar totalmente trabada en las ranuras del asa. Debe tenerse cuidado al mover la cafetera ya que la tapa con traba previene temporalmente que se derrame la mayor parte del café en caso de caerse la cafetera.

6. Enchufe el cable eléctrico SOLO en un tomacorriente de 220-240 voltios de corriente alterna conectado a tierra. Si la cafetera tiene un interruptor, colóquelo en la posición de encendido "I".

PRECAUCIÓN: LA CAFETERA TIENE UN CABLE ELÉCTRICO LARGO PARA FACILITAR EL ACCESO AL TOMACORRIENTE. PARA EVITAR LESIONES O DAÑOS A LA PROPIEDAD, NO PERMITA QUE EL CABLE LARGO CUELQUE POR ENCIMA DEL BORDE DE UN MOSTRADOR O MESA DONDE PUEDAN LOS NIÑOS TIRAR DE EL O TROPEZARSE CON EL ACCIDENTALMENTE. NO PERMITA A LOS NIÑOS ACERCARSE NI USAR ESTA CAFETERA SIN LA SUPERVISIÓN DIRECTA DE UN ADULTO.

7. La cafetera dejará de funcionar automáticamente. (Cada 16,3 cl requiere no más de 1 minuto de preparación.) El café está listo cuando destella la luz de la base. El café se mantendrá a la temperatura de servir mientras la cafetera esté enchufada (y/o el interruptor esté en la posición de encendido "I"). Antes de servir, destrabe y retire la tapa. (Puede formarse un poco de condensación en el interior de las asas de la cafetera, lo cual es normal.) **Usando un tomaollas, retire la cesta para el café y la vara. Si no se sacan la cesta y el arco de la vara, gotearán en el café aceites amargos del grano molido exprimido.** Vuelva a colocar la tapa revisando que quede completamente trabada en las ranuras del asa.
8. Para llenar tazas sobre platillos, presione el mango de la espita hacia abajo. Libere el mango cuando la taza esté llena. Para un flujo continuo cuando llene una jarra de café, levante el mango hacia arriba hasta que se trabe en la posición abierta. Baje el mango cuando esté llena la jarra.
9. Desenchufe la cafetera del tomacorriente y coloque el interruptor en la posición de apagado "O" cuando queden aproximadamente tres tazas de café o éste no se vea en la mirilla.
10. Para volver a calentar el café, simplemente enchufe la cafetera y coloque el interruptor en la posición de encendido "I". Asegúrese de que la cesta y la vara se hayan sacado. Para recalentar, debe haber par lo menos 0,2 litro de café en la cafetera.
11. Operar en temperaturas ambiente de 5°C a 45°C (40°F a 110°F).

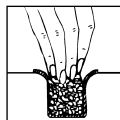
PRECAUCIÓN: EL LÍQUIDO DEBE CUBRIR EL FONDO DENTRO DE LA UNIDAD EN TODO MOMENTO. SI BAJA DE ESTE NIVEL (APROX. 5 CM) PODRÍA OCASIONAR SOBRE-CALENTAMIENTO Y DAÑOS A LOS COMPONENTES INTERNOS. ESTO ANULARÁ LA GARANTÍA.

INSTRUCCIONES PARA LIMPIAR LA CAFETERA

Limpieza regular—después de cada uso

Desenchufe la cafetera. **No deje que el agua tome contacto con las piezas electricas de la base.**

Limpe el interior de la cafetera llenándola con agua caliente hasta aproximadamente un tercio de su capacidad. Agregue detergente y lávela con una esponja o paño. Friegue el hueco de la unidad calentadora (en el cual encaja la vara) con la herramienta de limpieza especial provista y una esponja de acero como Brillo® o abrasiva como ScotchBrite®. Retuerza la esponja dentro del hueco de la unidad para limpiarlo. El hueco de la unidad debe mantenerse limpio para que funcione correctamente la cafetera. Enjuáguelo totalmente con agua caliente y séquelo.



Limpe el receptáculo calentador con un estropajo abrasivo.



Para unidades grandes, limpie el receptáculo calentador usando la esponja abrasiva y la herramienta de limpieza.

- **Limpe la espita** dejando pasar a través de ella agua limpia, mientras mueve el mango hacia arriba y hacia abajo. (Mantenga la espiga en la posición cerrada cuando no esté en uso.)
- **Limpe la cesta, la vara y la tapa** en agua caliente jabonosa. Enjuáguelas totalmente. No lave la tapa en un lavavajillas, ya que la superficie se puede decolorar de manera permanente.
- **Limpe el exterior de la cafetera** con un paño húmedo, luego púlalo con un paño seco. Puede usarse un producto adecuado para pulir plata. No use esponjas ni polvos abrasivos.

Limpeza especial—cada 2 semanas

Si la cafetera se usa diariamente, es necesario limpiarla especialmente cada 2 semanas (además de la limpieza regular) para limpiar totalmente el hueco del calentador. Si no se mantiene limpio el hueco del calentador, el rendimiento de la cafetera se verá perjudicado.

- Llene la cafetera con 1 litro de agua fría e igual cantidad de vinagre destilado. Coloque la cesta vacía y el vástago en la cafetera, asegure la tapa y enchufe la unidad (y/o coloque el interruptor en la posición de encendido “I”). Deje que la cafetera pase por el ciclo de preparación. Deje reposar 20 minutos. Coloque el interruptor en la posición de apagado “O” y/o desenchufe la unidad. Drene la cafetera y déjela enfriar. (La solución de vinagre y agua puede guardarse para limpiezas futuras. Marque el envase de la solución indicando su contenido y uso. Agregue 16,3 a 32,6 cl adicionales de vinagre a la solución cuando la reutilice para una limpieza total.)
- Agregue una pequeña cantidad de agua jabonosa caliente a la cafetera y friegue el interior y el hueco del calentador siguiendo las instrucciones de limpieza regular. Drénela. Lave la cesta y la vara.
- Limpe el medidor del nivel del café (Modelos de 16,3 y 9 litros) con el cepillo provisto. Destornille la tapa del medidor y retire el tubo. Limpe el tubo en agua jabonosa caliente. Enjuáguelo totalmente. Vuelva a colocarlo. También puede usarse el cepillo para limpiar la vara.
- Destoroille el mango de la espita. Mueva el cepillo hacia arriba y hacia abajo a través de la espita, luego inserte el cepillo a través de la abertura dentro de la cafetera para limpiar la conexión de la espita. Lave el mango de la espita en agua caliente jabonosa y enjuáguelo. Vuelva a colocar el mango de la espita.
- Enjuague el interior de la cafetera y las piezas totalmente con agua caliente limpia, luego séquelo.

- No use una solución de bicarbonato sódico, ya que podría decolorar y corroer la superficie.

INSTRUCCIONES PARA CALENTAR AGUA PARA BEBIDAS INSTANTÁNEAS

Puede calentarse agua solo en la cafetera para usarla con bebidas instantáneas. Simplemente llene la cafetera limpia con agua fría al nivel de tazas deseado y coloque la vara y la cesta limpia y vacía en la posición como si fuera a preparar café. Trabe la tapa en su sitio y enchufe la cafetera. En los modelos de 9 litros y 16,3 litros coloque también el interruptor en la posición de encendido "I". Caliente el agua hasta que se detenga la preparación y destelle la luz de la base. Destrabe la tapa, retire la cesta y la vara con un tomaollas y vuelva a colocar la tapa, asegurándose de que quede trabada en posición. Desenchufe la cafetera cuando queden menos de 49 cl de agua. El interior de la cafetera puede oscurecerse después de calentar agua lo cual es normal y no afecta a la cafetera ni al agua calentada.

Quando se usa la cafetera para calentar agua solamente, debe limpiarse bien después de cada uso además de la limpieza semanal especial usando vinagre para eliminar los depósitos minerales. Si no se eliminan estos depósitos, puede horadarse el metal y provocar daños a la cafetera. Vea las instrucciones de Limpieza especial en las páginas 19 y 20.

Garantía Limitada

Su nuevo aparato está garantizado por Focus Foodservice, LLC como exento de defectos en material y fabricación bajo condiciones normales de uso por un (1) año desde la fecha de compra. Esta garantía no cubrirá daños causados por uso inapropiado, abuso, accidentes, sobrecalentamiento o alteraciones al producto, y tampoco cubre los daños resultantes del servicio de mantenimiento o reparación proporcionado por personas que no sean las autorizadas por Focus Foodservice, LLC. Esta garantía se limita solamente al comprador original.

LA RESPONSABILIDAD DE FOCUS FOODSERVICE, LLC BAJO ESTA GARANTÍA SERÁ LIMITADA A LA REPARACIÓN O REEMPLAZO DEL PRODUCTO DEFECTUOSO A LA EXCLUSIVA OPCIÓN DE FOCUS FOODSERVICE, LLC. FOCUS FOODSERVICE, LLC NO SERÁ RESPONSABLE POR NINGÚN DAÑO YA SEA DIRECTO O INDIRECTO.

ESTA GARANTÍA SE CONCEDE EXPRESAMENTE EN LUGAR DEL RESTO DE LAS GARANTÍAS INCLUYENDO LAS GARANTÍAS IMPLICADAS DE MERCADEO Y ADECUACIÓN PARA UN PROPÓSITO PARTICULAR.

Foodservice Customers
Focus Foodservice, LLC
 Retail Service Department
 300 Knightsbridge Parkway Suite 500
 Lincolnshire, IL 60069
 800-968-3918 | (8:00 AM - 5:00 PM Central)
www.focusfoodservice.com

Household and Consumer
Focus Electric, LLC
 Consumer Service Department
 P.O. Box 2780 | West Bend, WI 53095
 866-290-1851 | (8:00 AM - 4:30 PM Central)
www.westbend.com
 Warranty valid only in USA and Canada

AUTOMATISCHE KAFFEEMASCHINE

Pflege- und Gebrauchsanweisungen

UM VERLETZUNGEN ODER SACHSCHÄDEN ZU VERMEIDEN, LESEN UND BEFOLGEN SIE BITTE DIE FOLGENDEN ANWEISUNGEN UND/ODER WARNUNGEN ENTHALTEN IN DIESEM BEDIENUNGSHANDBUCH.

WICHTIGE SICHERHEITSMASSNAHMEN

Bitte verwenden Sie Elektrizität sicher und mit Vorsicht. Wenn Sie Ihre Kaffeemaschine gebrauchen, beachten Sie bitte die folgenden Vorsichtsmaßnahmen:

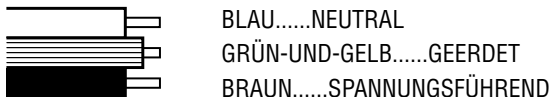
- Lesen Sie alle Anweisungen vor Gebrauch durch.
- Vor dem Anschließen des Kabels an der Steckdose prüfen, ob der Schalter auf „0“ („AUS“) steht. Sollte die Kaffeemaschine keinen Schalter haben, stellen Sie fest, ob sich Wasser oder zubereiteter Kaffee in der Kaffeemaschine befindet, bevor Sie den Stecker einstecken. Entfernen Sie den Stecker von der Steckdose, wenn Sie die Kaffeemaschine nicht verwenden.
- Stecken Sie den Stecker der Kaffeemaschine NUR in eine geerdete Steckdose mit 220-240 Volt WS. Stellen Sie fest, ob der Stecker nach den folgenden Anweisungen richtig verdrahtet ist.
- Der Stecker sollte immer herausgezogen und die Kaffeemaschine abgekühlt sein, bevor Sie mit der Reinigung beginnen.
- Die Netzschnur sollte nie heiße Oberflächen berühren oder über den Rand einer Anrichte oder eines Tisches herunterhängen.
- Vergewissern Sie sich, daß der Filterbehälter und das Steigrohr gut befestigt sind, bevor Sie den Stecker einstecken (siehe Anweisungen). Kein Bestandteil der Kaffeemaschine sollte während des Aufbrühvorgangs entfernt werden. Es könnte sonst vorkommen, daß Sie sich verbrennen.
- Ihre Kaffeemaschine, die Netzschnur und der Stecker sollten nicht im Freien verwendet werden, in Flüssigkeiten getaucht werden, in die Nähe eines Elektro- oder Gasbrenners oder in einen heißen Ofen gestellt werden.
- Berühren Sie die Kaffeemaschine nicht, wenn Sie heiß ist, sondern verwenden Sie die Henkel oder den Halteknopf.
- Behalten Sie die Kaffeemaschine genau im Auge, wenn Sie in der Nähe von Kindern verwendet wird.
- Verwenden Sie Ihre Kaffeemaschine nur für die Zwecke, die in diesem Bedienungshandbuch beschrieben sind. Verwenden Sie nur Zusatzeinrichtungen, die von Focus Foodservice, LLC empfohlen werden.
- Verwenden Sie Ihre Kaffeemaschine nicht mehr, wenn die Maschine selbst oder die Netzschnur beschädigt sind oder nicht richtig funktionieren.
- Dieses Gerät ist nicht für die Installation an einem Ort geeignet, an dem eine Wasserdüse eingesetzt werden kann.
- Dieses Gerät darf nur an Stellen installiert werden, an denen es von geschultem Personal beaufsichtigt werden kann.

- Dieses Gerät ist nicht für die Verwendung durch Personen mit verminderten körperlichen, sensorischen oder geistigen Fähigkeiten bzw. mangelnder Erfahrung und Wissen (einschließlich Kinder) geeignet, solange diese nicht beaufsichtigt oder bezüglich der Verwendung des Gerätes durch eine für ihre Sicherheit verantwortliche Person angeleitet werden.

BEWAHREN SIE DIESE ANWEISUNGEN AUF

⚠ **WARNUNG: DIESES KÜCHENGERÄT MUSS GEERDET SIEN**

WICHTIG: Den Drähten in dieser Netzschur ist der folgende Code zugeordnet:



Da die Farben der Drähte in der Netzschur dieses Küchengeräts eventuell nicht den Farbenmarkierungen der Anschlußklemmen im Stecker entsprechen, fahren Sie bitte wie folgt fort: Der grün-und-gelbe Draht in der Netzschur muß mit der Anschlußklemme im Stecker verbunden sein, die mit dem Buchstaben E oder mit dem Erdsymbol \perp gekennzeichnet oder grün oder grün-und-gelb ist.

Der blaue Draht muß mit der Anschlußklemme verbunden sein, die mit dem Buchstaben N gekennzeichnet oder schwarz ist.

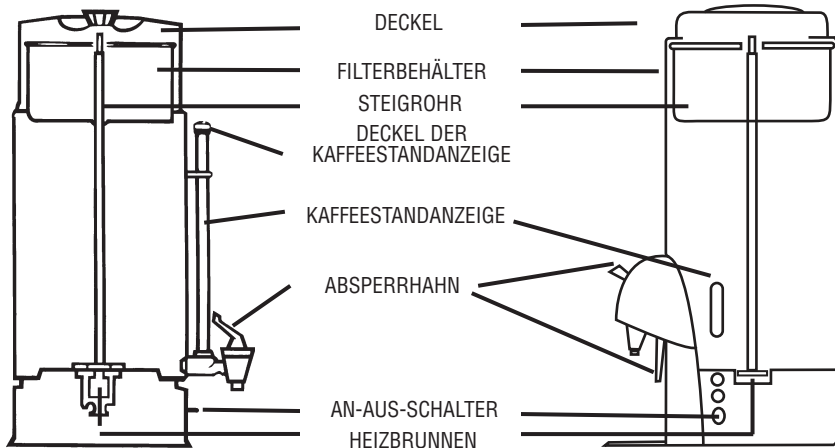
Der braune Draht muß mit der Anschlußklemme verbunden sein, die mit dem Buchstaben L gekennzeichnet oder rot ist.

Wenn Sie einen Zwischenstecker verwenden, stellen Sie fest, ob der Draht des Zwischensteckers und die Steckdose auch geerdet sind. Haben Sie darüber auch nur den geringsten Zweifel, lassen Sie die Steckdose von einem Elektriker überprüfen.

WICHTIGER HINWEIS

Sollte die Netzschur dieses Küchengeräts beschädigt sein, muß sie von einer Werkstatt ersetzt werden, die vom Hersteller dazu autorisiert wurde. Spezielle Werkzeuge und eine bestimmte Netzschur müssen bei der Reparatur verwendet werden.

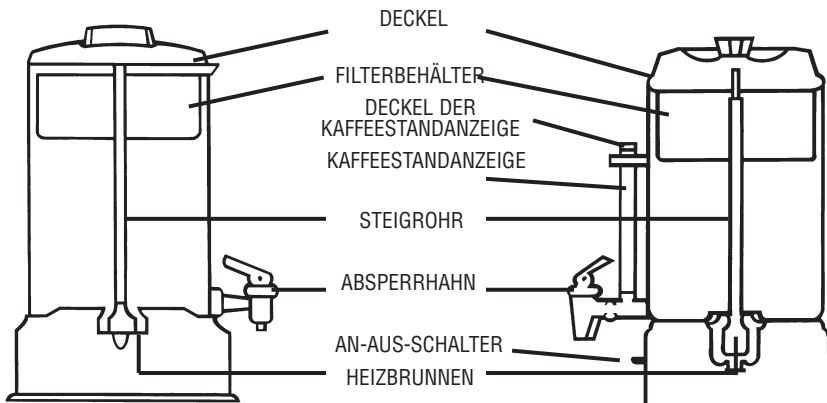
Werfen Sie den Stecker, der von der Netzschur abgeschnitten wurde, sofort in den Abfall. **WARNUNG:** Der abgeschnittene Stecker kann eventuell einen elektrischen Schlag verursachen, wenn er in irgendeine Steckdose im Haus eingesteckt wird.



16,3 LITER: 58010V

14,2 LITER: 57060-220

16,3 LITER: 57100-220



5,8 LITER: 58016V

9 LITER: 58015V

BESTIMMUNG DER KAFFEEMENGE

Das sind lediglich die empfohlenen Mengen – Die Stärke des Kaffees kann auf den persönlichen Geschmack abgestimmt werden, indem diese Mengen verkleinert bzw. vergrößert werden.

<i>MESSBECHER*</i>	<i>GEMAHLENER KAFFEE (MILD)</i>	<i>GEMAHLENER KAFFEE (STARK)</i>
12-15	64 g	106 g
20-25	128 g	213 g
30-36	170 g	255 g
40-45	213 g	340 g
50-55	276 g	425 g
60-65	319 g	531 g
80-85	468 g	659 g
95-100	531 g	808 g

*1 Messbecher = 150 mL

Pro Messbecher etwa 1 Minute brauen lassen. Änderungen der Stromspannung oder Abweichungen der Wassertemperatur beeinflussen die Braudauer. *NIEMALS WENIGER ALS DIE MINIMALMENGE ODER MEHR ALS DIE MAXIMALMENGE FÜR DEN KAFFEEAUTOMATEN BRAUEN.*

ANWEISUNGEN ZUR KAFFEEZUBEREITUNG

1. Vor dem ersten Gebrauch waschen Sie bitte die Kaffeemaschine gründlich. Folgen Sie den Anweisungen zur regelmäßigen Säuberung auf Seiten 27 und 29.

VORSICHT: UM DAS RISIKO EINES ELEKTRISCHEN SCHLAGS ZU VERMEIDEN, TAUCHEN SIE DIE KAFFEEMASCHINE, IHREN STECKER ODER NETZSCHNUR NICHT IN WASSER ODER ANDERE FLÜSSIGKEITEN.

2. Verwenden Sie die Kaffeemaschine auf einer trockenen, ebenen Oberfläche und handhaben Sie sie nur mit trockenen Händen.
3. Entfernen Sie den Filterbehälter und das Steigrohr; füllen Sie dann die Kaffeemaschine mit KALTEM Wasser. Die verschiedenen Wasserstandshöhen sind im Inneren der Kaffeemaschine markiert.
4. Drücken Sie das Steigrohr in den Heizungsbrunnen unten in der Kaffeemaschine; stecken Sie den Filterbehälter auf das Steigrohr. Füllen Sie das speziell für die elektrische Kaffeemaschine gemahlene Kaffeemehl in den Filterbehälter. Geben Sie acht, daß kein Kaffeemehl in das Steigrohr gerät. Folgen Sie den Mengenanweisungen der entsprechenden Tabelle, um die richtige Menge zu bestimmen. Verteilen Sie das Kaffeemehl gleichmäßig im Filterbehälter. Die Menge kann je nach Ihrem Geschmack verändert werden.

BESONDERER HINWEIS FÜR DAS MAHLEN DER BOHNEN: Wenn Sie Ihre Kaffeebohnen

selbst mahlen, dann mahlen Sie sie für das beste Endresultat mittelgrobkörnig. Mahlen Sie die Kaffeebohnen **NICHT** zu fein (pulverartig), da dadurch der Filterbehälter leicht verstopft und der Kaffee dann überläuft.

5. Setzen Sie den Deckel auf die Kaffeemaschine, drehen Sie ihn, bis er zwischen den Handgriffen verankert ist. Die richtige Drehrichtung ist mit Pfeilen auf dem Deckel angegeben. Sie können das Verschütten von Kaffee vermeiden besonders wenn die Kaffeemaschine umgestoßen wird—indem Sie den Deckel im Uhrzeigersinn so lange drehen, bis er fest in den Handgriffen verankert ist. Wenn Sie die Kaffeemaschine umstellen müssen, verwenden Sie bitte äußerste Vorsicht. Sollte die Kaffeemaschine umgestoßen werden, verhindert der aufgedrehte Deckel nämlich nur Verschütten eines Großteils des Kaffees und das nur für eine gewisse Zeit.
6. Stecken Sie den Stecker NUR in eine geerdete Steckdose mit 220-240 Volt WS. Wenn die Kaffeemaschine einen Schalter hat, diesen auf „I“ („EIN“) stellen.

VORSICHT: IHRE KAFFEEMASCHINE IST MIT EINER LANGEN NETZSCHNUR AUSGESTATTET, DAMIT SIE LEICHT EINE STECKDOSE ERREICHEN KÖNNEN. UM VERLETZUNGEN ODER SACHSCHÄDEN ZU VERMEIDEN, LASSEN SIE DIE SCHNUR NICHT ÜBER DEN RAND EINER ANRICHE ODER EINES TISCHES HERUNTERHÄNGEN. ZU LEICHT KANN ES PASSIEREN, DASS KINDER DARAN ZIEHEN ODER VERSEHENTLICH DARÜBER STOLPERN. ERLAUBEN SIE ES KINDERN NICHT, SICH UNBEAUFSICHTIGT IN DER NÄHE DER KAFFEEMASCHINE AUFZUHALTEN ODER SIE ZU BENUTZEN.

7. Die Kaffeemaschine hört automatisch auf, den Kaffee aufzubrühen. (Das Aufbrühen dauert nicht länger als eine Minute pro 16,3 cl.) Der Kaffee ist fertig, wenn das Licht im Sockel aufleuchtet. Der Kaffee behält so lange die Serviertemperatur bei, wie die Kaffeemaschine am Strom angeschlossen ist (und/oder der Schalter auf „I“ („EIN“) steht). Bevor Sie den Kaffee servieren, drehen Sie den Deckel und entfernen Sie ihn. Etwas Kondensierung an der inneren Seite der Handgriffe ist zu erwarten; verwenden **Sie also besser einen Topflappen, wenn Sie den Filterbehälter und das Steigrohr aus der Kaffeemaschine entfernen. Es ist wichtig, daß sie den Filterbehälter und das Steigrohr entfernen, da sonst die bitteren Öle des zurückgebliebenen Kaffeesatzes in den Kaffee tropfen.** Setzen Sie den Deckel wieder auf und drehen sie ihn, bis er in den Handgriffen verankert ist.
8. Sie füllen eine Tasse mit Kaffee, indem Sie den Hebel des Absperrhahns nach unten bewegen. Möchten Sie gern eine Kaffeekanne auffüllen, also eine größere Menge Kaffee herauslaufen lassen, bewegen Sie den Hebel nach oben, bis er in der geöffneten Position einschnappt. Bewegen Sie den Hebel wieder nach unten, sobald die Kaffeekanne voll ist.
9. Wenn noch etwa drei Tassen Kaffee in der Kaffeemaschine verbleiben bzw. wenn die Restmenge nicht länger in der gläsernen Kaffeestandanzeige zu sehen ist, den Stecker aus der Steckdose ziehen und den Schalter auf „O“ („AUS“) stellen.

10. Zum Aufwärmen von kaltem Kaffee die Kaffeemaschine am Strom anschließen und den Schalter auf „I“ („EIN“) stellen. Vergewissern Sie sich, daß der Filterbehälter und das Steigrohr nicht in der Kaffeemaschine sind. Zum Anwärmen sollten sich mindestens 0,2 Liter Kaffee in der Kaffeemaschine befinden.

11. Bei Umgebungstemperaturen von 5°C bis 45°C (40°F bis 110°F) betreiben.

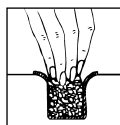
VORSICHT: DER INNERE BODEN DES GERÄTS MUSS IMMER VOLLSTÄNDIG MIT FLÜSSIGKEIT BEDECKT SEIN. FALLS DER FÜLLSTAND UNTER DIESES NIVEAU ABFÄLLT (ETWA 5 CM), KÖNNTE ES ZUM ÜBERHITZEN UND ZU SCHÄDEN AN DEN INTERNEN KOMPONENTEN KOMMEN. DADURCH WIRD DIE GARANTIE NICHTIG.

ANWEISUNGEN ZUR REINIGUNG DER KAFFEEMASCHINE

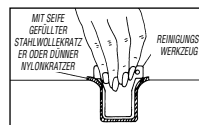
Allgemeine Säuberung—nach jedem Gebrauch

Entfernen Sie den Stecker von der Steckdose. **Lassen sie kein Wasser mit den elektrischen Teilen im Sockel der Kaffeemaschine in Berührung kommen.**

Säubern Sie das Innere der Kaffeemaschine, indem Sie etwa ein Drittel des Behälters mit heißem Wasser füllen. Fügen Sie etwas Spülmittel hinzu und waschen Sie das Innere mit einem Schwamm oder Lappen. Scheuern Sie den Heizbrunnen (in dem das Steigrohr sitzt) mit dem von uns gelieferten Spezialreinigungsinstrument und Stahlwolle wie Brillo® oder Scotch-Brite.® Drehen Sie die Stahlwolle im Brunnen hin und her, bis jeglicher Schmutz entfernt ist. Die Kaffeemaschine erfüllt ihre Funktion nur dann wie erwünscht, wenn der Heizbrunnen sauber gehalten wird. Spülen Sie die Kaffeemaschine gründlich mit sauberem, heißem Wasser aus und trocknen Sie sie ab.



Die Heizkammer mit einem Kratzer reinigen.



Bei größeren Geräten die Heizkammer mit einem Kratzer und Reinigungswerkzeug reinigen.

- **Reinigen Sie den Absperrhahn**, indem Sie sauberes, heißes Wasser durchlaufen lassen und zur selben Zeit den Hebel hoch und runter bewegen. (Stellen Sie den Hebel des Absperrhahns in seine geschlossene Position wenn außer Gebrauch.)
- **Waschen Sie den Kaffeefilter**, das Steigrohr und den Deckel in heißem Seifenwasser. Spülen Sie die Teile gründlich mit sauberem Wasser ab. Die Abdeckung nicht in einer Geschirrspülmaschine reinigen; dadurch kann die Oberfläche permanent entfarbt werden.
- **Wischen Sie das Äußere der Kaffeemaschine** mit einen feuchten Lappen ab und reiben sie es mit einen Tuch trocken. Sie können ein Silberpoliermittel verwenden, aber keine Stahlwolle oder Scheuermittel.

Spezielle Säuberung—alle 2 Wochen

Wird die Kaffeemaschine täglich verwendet, sollte sie (zusätzlich) alle 2 Wochen besonders

gereinigt werden, da vor allem der Heizbrunnen von Schmutz befreit werden muß. Die Leistung der Kaffeemaschine wird beeinträchtigt, wenn der Heizbrunnen nicht sauber gehalten wird.

- Füllen Sie die Kaffeemaschine mit einem Liter kalten Wassers und einem Liter farblosem Essig. Den leeren Filterkorb und das Steigrohr in die Kaffeemaschine einsetzen, den Deckel schließen und die Maschine am Strom anschließen (und/oder den Schalter auf „I“ („EIN“) stellen). lassen Sie die Kaffeemaschine durch den Aufbrühvorgang laufen und 20 Minuten lang stehen. Auf „o“ („AUS“) stellen und/oder ausstecken. Leeren Sie die Kaffeemaschine und lassen Sie sie abkühlen. (Sie können die Essigwasserlösung zu späterer Verwendung aufheben. Versehen Sie den Behälter, in dem Sie die Flüssigkeit aufbewahren, mit einem Schildchen, das Inhalt und Verwendungszweck identifiziert. Wenn Sie die Lösung das nächste Mal verwenden, fügen Sie noch 16,3 bis 32,6 cl Essig hinzu.)
- Gießen Sie etwas heißes Seifenwasser in die Kaffeemaschine und schrubben Sie das Innere und den Heizbrunnen gründlich. Folgen Sie dabei den Anweisungen zur regelmäßigen Säuberung. Gießen Sie das Seifenwasser aus. Waschen Sie den Filter und das Steigrohr in Seifenwasser.
- Reinigen Sie die Kaffeestandanzeige (Modelle mit Kapazität von 16,3 und 9 Liter) mit der von uns gelieferten Bürste. Schrauben Sie den Deckel der Anzeige ab und entfernen Sie die Glasanzeige. Waschen Sie die Glasanzeige in heißem Seifenwasser. Spülen Sie sie gründlich mit sauberem Wasser ab. Kehren Sie die Glasanzeige an ihren Platz zurück. (Sie können die Bürste auch dazu verwenden, das Innere des Steigrohrs zu säubern.)
- Schrauben Sie den Hebel des Absperrhahns ab. Bürsten Sie ein paarmal mit Ihrer Bürste durch den Absperrhahn. Stecken Sie dann die Bürste in die Öffnung der Kaffeemaschine und reinigen Sie das Verbindungsstück zum Absperrhahn. Waschen Sie den Hebel des Absperrhahns in heißem Seifenwasser und spülen Sie ihn mit sauberem Wasser ab. Schrauben Sie den Hebel wieder an.
- Spülen Sie das Innere der Kaffeemaschine und die Bestandteile gründlich mit sauberem, heißem Wasser ab und trocknen Sie sie ab.
- Nicht mit Natriumbikarbonatlösung reinigen, da diese zu Entfärbung und Grübchenbildung an der Oberfläche führen kann.

ANWEISUNGEN FÜR DIE HERSTELLUNG VON HESSEM WASSER FÜR INSTANT-GETRÄNKE

Die Kaffeemaschine kann dazu verwendet werden, heißes Wasser für Pulvergetränke zu liefern. Füllen Sie einfach die saubere Kaffeemaschine bis zur erwünschten Höhe mit kaltem Wasser und installieren Sie das Steigrohr und den sauberen, leeren Filter genauso wie für die Zubereitung von Kaffee. Verankern Sie den Deckel in den Handgriffsrillen und stecken Sie den Stecker ein. Bei den Modellen für 9 Liter und 16,3 Liter auch den Schalter auf „I“ („EIN“) stellen. Das Wasser ist heiß, wenn der Aufbrühvorgang vollendet ist und das Licht

im Sockel der Kaffeemaschine aufleuchtet. Nehmen Sie den Deckel ab, entfernen Sie den Filter und das Steigrohr mit einem Topflappen und setzen Sie den Deckel wieder auf die Kaffeemaschine. Vergewissern Sie sich, daß er auch verankert ist. Sobald sich weniger als 49 cl Wasser in der Kaffeemaschine befinden, ziehen Sie den Stecker aus der Steckdose. Das Innere der Kaffeemaschine wird sich eventuell dunkel verfärben, nachdem Sie Wasser darin zum Kochen gebracht haben. Das ist ganz normal und wirkt sich auf die Kaffeemaschine oder das erhitzte Wasser in keiner Weise aus. Wird die Kaffeemaschine nur zur Vorbereitung von heißem Wasser verwendet, muß sie nicht nur nach jeder Verwendung gründlich geputzt werden, sondern muß auch wöchentlich mit Essig behandelt werden, um die Kalkablagerungen zu entfernen. Wenn diese Ablagerungen nicht entfernt werden, kann es vorkommen, daß das Metall angegriffen und die Kaffeemaschine beschädigt wird. Bitte lesen sie die Anweisungen zur speziellen Säuberung auf den Seiten 27 und 28.

Beschränkte Garantie

Ihr neues Küchengerät wird von Focus Foodservice, LLC unter normalen Gebrauchsbedingungen für die Dauer von einem (1) Jahr ab Kaufdatum gegen Material- und Fertigungsfehler garantiert. Diese Garantie deckt keine Schäden, die durch unsachgemäßen Gebrauch, Missbrauch, Unfälle, Überhitzung oder Modifizierungen am Produkt verursacht wurden; außerdem sind Schäden nicht gedeckt, die bei Wartungsarbeiten durch Personen entstehen, die nicht ausdrücklich von Focus Foodservice, LLC zur Durchführung dieser Arbeiten berechtigt wurden. Diese Garantie ist auf den Originalkäufer beschränkt.

DIE HAFTUNG SEITENS FOCUS FOODSERVICE, LLC UNTER DIESER GARANTIE IST NACH AUSSCHLIEBLICHEM ERMESSEN VON FOCUS FOODSERVICE, LLC AUF DIE REPARATUR ODER DEN ERSATZ DES FEHLERHAFTEN PRODUKTS BESCHRÄNKT. FOCUS FOODSERVICE, LLC IST FÜR KEINE ZUFÄLLIGEN SCHÄDEN ODER DIREKTE BZW. INDIRECTE FOLGESCHÄDEN HAFTBAR.

DIESE GARANTIE GILT AUSDRÜCKLICH ANSTELLE ALLER ANDEREN GARANTIEN, EINSCHLIEßLICH DER GARANTIE HANDELSÜBLICHER QUALITÄT UND EIGNUNG FÜR EINEN BESTIMMTEN ZWECK.

Foodservice Customers
Focus Foodservice, LLC
 Retail Service Department
 300 Knightsbridge Parkway Suite 500
 Lincolnshire, IL 60069
 800-968-3918 | (8:00 AM - 5:00 PM Central)
www.focusfoodservice.com

Household and Consumer
Focus Electric, LLC
 Consumer Service Department
 P.O. Box 2780 | West Bend, WI 53095
 866-290-1851 | (8:00 AM - 4:30 PM Central)
www.westbend.com

Warranty valid only in USA and Canada

AUTOMATISCHE KOFFIEMACHINE

Instructies voor onderhoud en gebruik

TEN EINDE PERSOONLIJK LETSEL OF SCHADE AAN EIGENDOMMEN TE VOORKOMEN, DIENT U DE INSTRUCTIES EN/OF WAARSCHUWINGEN IN DEZE HANDLEIDING VOOR ONDERHOUD EN GEBRUIK OP TE VOLGEN.



BELANGRIJKE BEVEILIGINGEN



Gebruik elektriciteit verstandig en op veilige wijze. Wanneer u uw koffiemachine gebruikt, dient u veiligheidsvoorzieningen in acht te nemen, met inbegrip van de volgende:

- Lees alle instructies vóór het gebruik.
- Let erop dat de schakelaar op "o" ("UIT") staat voordat u het snoer op de wandcontactdoos aansluit. Als uw koffiemachine geen schakelaar heeft, zorg er dan voor dat het apparaat water of al gezette koffie bevat voordat u het aanzet. Laat de stekker niet in het stopcontact wanneer de koffiemachine niet in gebruik is.
- Steek de stekker van het koffiezetapparaat UITSLUITEND in een geaard stopcontact met 220-240 Volt wisselstroom. Zorg ervoor dat de stekker de juiste bedrading heeft, zoals hieronder beschreven:
- U dient altijd de stekker uit het stopcontact te halen en de koffiemachine te laten afkoelen voordat u hem schoonmaakt.
- Laat het snoer niet met een heet oppervlak in aanraking komen of over de rand van een aanrecht of tafel hangen.
- Let erop dat het deksel, het bakje en de steel op de juiste wijze bevestigd zijn voordat u de stekker van de koffiemachine in het stopcontact steekt (zie instructies). U mag geen enkel onderdeel van het koffiezetapparaat verwijderen gedurende de cyclus tijdens welke de koffie gefilterd wordt: u zoudt zich kunnen branden.
- De koffiemachine, het snoer en de stekkers mogen noch buitenshuis gebruikt worden, noch in vloeistof gedompeld of in de nabijheid van een hete gas- of elektrische brander of in een oven die aan is, geplaatst worden.
- Raak het koffiezetapparaat niet aan wanneer het heet is. Gebruik de handvatten of de knop.
- Houd heel nauwkeurig toezicht wanneer de koffiemachine door of in de nabijheid van kinderen gebruikt wordt.
- Gebruik uw koffiezetapparaat uitsluitend voor de doeleinden die in dit boekje beschreven zijn. Gebruik alleen aanzetstukken voor uw koffiemachine die door Focus Foodservice, LLC aanbevolen zijn.
- Gebruik uw koffiemachine niet als het apparaat of het snoer beschadigd is of niet goed werkt.
- Dit apparaat is niet geschikt voor installatie op plaatsen waar een waterstraal kan worden gebruikt.
- Dit apparaat mag enkel worden geïnstalleerd op plaatsen waar opgeleid personeel er toezicht kan op houden.

- Dit apparaat is niet bestemd voor gebruik door personen (inclusief kinderen) met verminderde lichamelijke, sensorische of geestelijke vermogens, of gebrek aan ervaring en kennis, tenzij zij onder toezicht staan of instructies hebben ontvangen over het gebruik van het apparaat door een persoon die verantwoordelijk is voor hun veiligheid.

BEWAAR DEZE INSTRUCTIES

WAARSCHUWING: DIT APPARAAT DIENT GEAARD TE WORDEN BELANGRIJK

De kleuren van de draden in dit netsnoer stemmen overeen met de volgende code:



BLAUW.....NEUTRALE DRAAD

GROEN-EN-GEEL.....AARDINGSDRAAD

BRUIN.....STROOMDRAAD

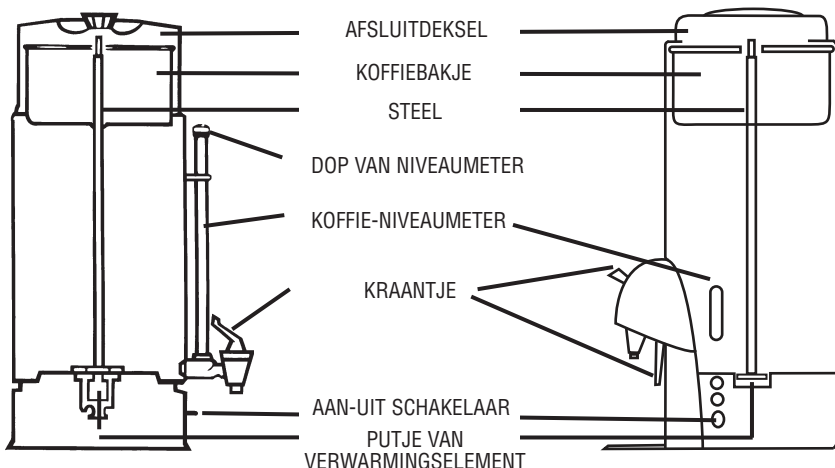
Aangezien het mogelijk is dat de kleuren van de draden in het netsnoer van dit apparaat niet overeenstemmen met de gekleurde markeringen die de aansluitingspunten in uw stekker aanduiden, dient u de volgende procedure te volgen:

De groen-en-geelgekleurde draad moet verbonden worden met het aansluitingspunt in de stekker dat met de letter E of door het aardingssymbool \perp gemarkeerd is of dat groengekleurd is oftewel groen-en-geel. De blauwgekleurde draad moet verbonden worden met het aansluitingspunt dat met de letter N gemarkeerd is of zwartgekleurd is. De bruin gekleurde draad moet verbonden worden met het aansluitingspunt dat met de letter L gemarkeerd is of roodgekleurd is. Als een adapter gebruikt wordt, zorg er dan voor dat de adapterdraad en de contactdoos geaard zijn. Als er enige twijfel bestaat of het stopcontact op de juiste wijze geaard is, dient u een bevoegd elektricien te raadplegen.

N.B.

Als het voedings snoer van dit apparaat beschadigd is, moet het in een door de fabrikant opgegeven reparatiewerkplaats vervangen worden omdat speciaal gereedschap en een speciaal snoer vereist zijn.

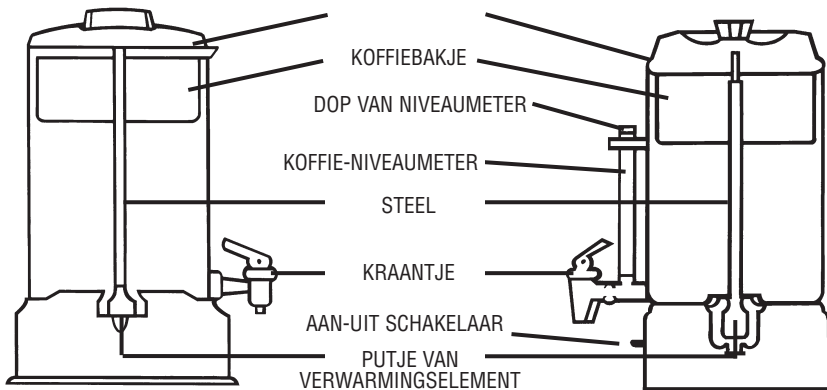
Een stekker die van het stroomtoevoersnoer afgesneden is, dient onmiddellijk weggeworpen te worden. **WAARSCHUWING:** Er kan risico op een elektrische schok ontstaan wanneer een afgesneden stekker ergens ander in huis in een stopcontact gestoken wordt.



16,3 LITER: 58010V

14,2 LITER: 57060-220

16,3 LITER: 57100-220



5,8 LITER: 58016V

9 LITER: 58015V

MAATGIDS VOOR KOFFIE

De vermelde hoeveelheden zijn louter aanbevelingen – u kunt de sterkte van de koffie aan uw persoonlijke smaak aanpassen door meer of minder koffie te gebruiken dan de aanbevolen hoeveelheden.

<i>KOPJES*</i>	<i>GEMALEN KOFFIE (MILD)</i>	<i>GEMALEN KOFFIE (STERK)</i>
12-15	64 g	106 g
20-25	128 g	213 g
30-36	170 g	255 g
40-45	213 g	340 g
50-55	276 g	425 g
60-65	319 g	531 g
80-85	468 g	659 g
95-100	531 g	808 g

*1 kopje = 150mL

Reken op een kooktijd van ongeveer 1 minuut per kopje. De kooktijd wordt beïnvloed door de stroomspanning en de begintemperatuur van het water. *KOOK NOOIT MINDER DAN DE MINIMUMCAPACITEIT VAN UW KOFFIEZETAPPARAAT OF MEER DAN DE MAXIMUMCAPACITEIT.*

INSTRUCTIES VOOR HET KOFFIEZETTEN

1. Maak de koffiemachine grondig schoon voordat u hem de eerste keer gebruikt. Raadpleeg de instructies voor Normale reiniging op pagina's 35 en 36.

VOORZICHTIG: OM HET RISICO OP EEN ELEKTRISCHE SCHOK TE VERMINDEREN, MOET U DE KOFFIEMACHINE, DE STEKKER EN HET SNOER NIET IN WATER OF EEN ANDERE VLOEISTOF ONDERDOMPELEN.

2. Gebruik de koffiemachine altijd op een droog en vlak oppervlak. Zorg ervoor dat uw handen droog zijn.
3. Verwijder het bakje en de steel, en vul de koffiemachine vervolgens met KOUDE water. De markeringen aan de binnenkant van het koffiezetapparaat geven de niveaus voor het water aan.
4. Druk de steel in het putje van het verwarmingselement onderin de koffiemachine en plaats het bakje op de steel. Plaats koffie die speciaal gemalen is voor elektrisch filtreren in het bakje; let erop dat er geen koffie in de steel valt. Raadpleeg de toepasselijke tabel voor de te gebruiken hoeveelheid en plaats die gelijkmatig verdeeld in het bakje. De hoeveelheid koffie kan aan individuele smaken aangepast worden.

SPECIALE NOOT VOOR MENSEN DIE HUN EIGEN BONEN MALEN: Als u zelf uw koffiebonen maalt, dient u deze voor de beste resultaten tot middelmatig grof te malen.

- Maal **NIET** te fijn (poederachtig) aangezien het bakje daardoor kan overstromen.
- Plaats het deksel op de koffiemachine en zet het vast op zijn plaats binnen de hendels door het deksel te draaien. Let op de pijltjes op het deksel die de juiste draairichting aangeven. Om morsen van de koffie tot een minimum te beperken, vooral als het koffiezetapparaat per ongeluk omgestoten wordt, dient u ervoor te zorgen dat het deksel met de klok mee gedraaid wordt totdat het volkomen vast zit in de gleuven van de hendels. Verplaats de koffiemachine zeer voorzichtig want het afsluitdeksel voorkomt slechts tijdelijk dat het grootste gedeelte van de koffie morst als het koffiezetapparaat per ongeluk omgestoten wordt.
 - Steek de stekker **UITSLUITEND** in een geaard stopcontact met 220-240 Volt wisselstroom. Als het koffiezetapparaat een schakelaar heeft, drukt u de schakelaar op "I" ("AAN").

VOORZICHTIG: UW KOFFIEMACHINE HEEFT EEN LANG SNOER ZODAT U ER GEMAKKELIJK EEN STOPCONTACT MEE KUNT BEREIKEN. OM LETSEL OF SCHADE AAN EIGENDOMMEN TE VOORKOMEN, DIENT U EROP TE LETTEN DAT HET LANGE SNOER NIET OVER DE RAND VAN EEN AANRECHT OF TAFEL LIGT OF HANGT WAAR KINDEREN ERAAN KUNNEN TREKKEN OF WAAR MEN ER PER ONGELUK OVER KAN VALLen. LAAT NIET TOE DAT KINDEREN IN DE NABIJHEID VAN DIT KOFFIEZETAPPARAAT KOMEN OF DAT ZIJ HET GEBRUIKEN ZONDER ZORGVULDIG TOEZICHT VAN EEN VOLWASSENE.

- De koffiemachine stopt automatisch met percoleren. (Het filteren duurt niet langer dan 1 minuut per 16,3 cl.) De koffie is klaar wanneer het lichtje in het onderstuk aangloeit. De koffie blijft op de juiste temperatuur om te serveren zolang het koffiezetapparaat is aangesloten (en/of de schakelaar op "I" ("AAN") staat. Maak het deksel los en verwijder het voordat u de koffie serveert. (Er kan enige condensatie plaatsvinden op de binnenkant van de hendels van de koffiemachine, wat normaal is.) **Verwijder het koffiebakje en de steel met behulp van een vuurvaste lap. Als het bakje en de steel niet verwijderd worden, druppelt er bittere olie in de koffie uit het bezinksel van de getrokken koffie.** Zet het deksel terug en let erop dat het volkomen vast zit in de gleuven van de hendels.
- Om een kopje op een schoteltje te vullen, drukt u de hendel van het kraantje naar beneden. Laat de hendel los wanneer het kopje vol is. Om een doorlopende stroom te verkrijgen wanneer u een koffiekan wilt vullen, drukt u de hendel recht omhoog totdat hij vastgrijpt in de open stand. Druk de hendel omlaag wanneer de kan vol is.
- Wanneer het koffiezetapparaat nog ongeveer drie koppen koffie bevat, of wanneer er geen koffie meer in het kijkglas te zien is, ontkoppelt u het snoer van de wandcontactdoos en drukt u de schakelaar op "o" ("UIT").

10. Om koude koffie op te warmen, sluit u het koffiezetapparaat aan en drukt u de schakelaar op "I" ("AAN"). Zorg ervoor dat het bakje en de steel verwijderd zijn. Om te kunnen opwarmen, moeten er ten minste 0,2 liter koffie in de koffiemachine zijn.

11. Gebruiken bij een omgevingstemperatuur tussen 5°C en 45°C (40°F en 110°F).

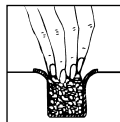
OPGEPAST: DE BODEM AAN DE BINNENKANT VAN HET TOESTEL MOET ALTIJD VOLLEDIG BEDEKT ZIJN MET VLOEISTOF. ALS HET VLOEISTOFPEIL ONDER DAT PEIL (ONGEVEER 5 CM) ZAKT, KAN ER OVERVERBITTING EN BESCHADIGING VAN INTERNE ONDERDELEN OPTREDEN. IN DAT GEVAL VERVALT DE GARANTIE.

INSTRUCTIES VOOR HET SCHOONMAKEN VAN DE KOFFIEMACHINE

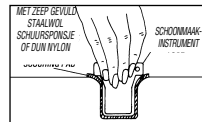
Normale reiniging—na elk gebruik

Haal de stekker van het koffiezetapparaat uit het stopcontact. **Laat geen water in contact komen met de elektrische onderdelen in het onderstuk.**

Maak de binnenkant van de koffiemachine schoon door hem met heet water te vullen tot ongeveer een derde van het volume. Voeg schoonmaakmiddel toe en was met een spons of doekje. Schuur het putje van het verwarmingselement (waarin de steel past) met het speciale schoonmaakartikel dat bijgeleverd is en een schuursponsje zoals bijv. Brillo® of Scotch-Brite®. Wring het sponsje in het putje van het element om het schoon te maken. Om naar behoren te kunnen werken, moet het putje van het element schoon gehouden worden. Spoel het grondig af met schoon heet water en droog het af.



Gebruik een schuursponsje om het verwarmingselement schoon te maken.



Bij grote toestellen gebruikt u een schuursponsje en schoonmaakinstrument om het verwarmingselement schoon te maken.

- **Maak het kraantje schoon door schoon** heet water erdoor te laten lopen terwijl u de hendel op en neer beweegt. (Houd het kraantje in de gesloten stand wanneer het niet gebruikt wordt.)
- **Was het bakje, de steel en het deksel schoon** in heet zeepsop. Spoel ze grondig af. Het deksel niet in de vaatwasmachine stoppen; het oppervlak zou blijvend kunnen verkleuren.
- **Maak de koffiemachine aan de buitenkant schoon** met een vochtige lap en wrijf hem dan op met een droge doek. Poetsmiddel voor sterlingzilver mag gebruikt worden. Gebruik geen schuursponsjes of -poeders.

Speciale reiniging—iedere 2 weken

Als de koffiemachine dagelijks gebruikt wordt, is er iedere 2 weken een speciale reiniging nodig (in aanvulling op de normale reiniging) om het verwarmingsputje grondig schoon te

maken. Als het verwarmingsputje niet schoon gehouden wordt, geeft de koffiemachine minder goede prestaties.

- Vul de koffiemachine met 1 liter koud water en 1 liter gedestilleerde witte azijn. Plaats het lege mandje en de steel in het koffiezetapparaat, breng het deksel aan en steek de stekker in een stopcontact (en/of druk op “I” (“AAN”). Laat de koffiemachine de volledige percoleercyclus draaien. Laat hem 20 minuten staan. Druk op “o” (“UIT”) en/of haal de stekker uit het stopcontact. (De oplossing van water en azijn kan bewaard worden om later weer als schoonmaakmiddel gebruikt te worden. Plak een etiket op de houder met de oplossing en geef daarop de inhoud en het bestemde gebruik aan. Voeg een extra 16,3 - 32,6 cl azijn toe aan de oplossing wanneer u die opnieuw gebruikt voor grondig schoonmaken.)
- Voeg een kleine hoeveelheid heet zeepsop toe aan de koffiemachine en schuur de binnenkant en het putje van het verwarmingselement volgens de instructies voor de normale reiniging. Leeg het apparaat en was het bakje en de steel.
- Maak de koffie-niveaumeter schoon (Modellen voor 16,3 liter en voor 9 liter) met het bijgeleverde borsteltje. Schroef de dop van het meetinstrument af en verwijder het buisje. Was het buisje schoon in heet zeepsop en spoel het grondig af. Zet het weer terug. Het borsteltje kan ook gebruikt worden om de steel schoon te maken.
- Schroef de hendel af van het kraantje. Beweeg een borsteltje op en neer door de kraan en steek het borsteltje dan door de opening in de koffiemachine om de koppeling van het kraantje schoon te maken. Was de hendel van de kraan in heet zeepsop en spoel hem af. Monteer de hendel weer.
- Spoel de binnenkant van de koffiemachine en de onderdelen grondig in schoon heet water en droog ze daarna af.
- Geen oplossingen met zuiveringszout gebruiken; dit kan kuiltjes doen ontstaan in het oppervlak en het oppervlak verkleuren.

INSTRUCTIES VOOR HET VERWARMEN VAN WATER VOOR INSTANT-DRANKEN

U mag gewoon water in uw koffiemachine opwarmen om te gebruiken voor instant-dranken. Vul het schone koffiezetapparaat gewoon met koud water tot aan het niveau voor het gewenste aantal kopjes en plaats de steel en het schone lege bakje op hun plaats alsof u koffie gaat maken. Zet het deksel vast op zijn plaats en steek de stekker in het stopcontact. Druk de schakelaar in de stand “I” (“AAN”) voor modellen van 9 liter en van 16,3 liter. Verwarm het water totdat het percoleren ophoudt en het lichtje in het onderstuk aangloeit.

Maak het deksel los en verwijder het bakje en de steel met een vuurvaste lap. Zet het deksel terug en zorg daarbij dat het op zijn plaats vast komt te zitten. Haal de stekker uit het stopcontact wanneer er minder dan 49 cl water over zijn. De binnenkant van de koffiemachine kan donker worden nadat er water opgewarmd is, wat normaal is en geen effect heeft op het apparaat of het water dat verwarmd wordt.

Wanneer het koffiezetapparaat gebruikt wordt om alleen water op te warmen, moet het goed schoongemaakt worden na elk gebruik in aanvulling op een speciale wekelijkse reiniging met gebruik van azijn om mineraalafzettingen te verwijderen. Als die afzettingen niet verwijderd worden, kan het metaal aangevreten worden waardoor de koffiemachine beschadigd kan worden. Zie de instructies voor Speciale reiniging op pagina's 35 en 36.

Beperkte garantie

Focus Foodservice, LLC garandeert dat uw nieuwe apparaat bij normaal gebruik gedurende één (1) jaar na de datum van aankoop vrij zal zijn van materiaal- of productiefouten. Deze garantie geldt niet voor schade die is veroorzaakt door verkeerd gebruik, misbruik, ongevallen, oververhitting of aan het apparaat aangebrachte wijzigingen, en evenmin voor schade ten gevolge van herstellingen of onderhoud door anderen dan door Focus Foodservice, LLC daartoe gemachtigde personen. Deze garantie is beperkt tot de oorspronkelijke koper.

DE VERPLICHTINGEN VAN FOCUS FOODSERVICE, LLC DIE VOORTVLOEIEN UIT DEZE GARANTIE ZIJN BEPERKT TOT HET HERSTELLEN OF VERVANGEN VAN HET DEFECTE APPARAAT, WAARBIJ ALLEEN FOCUS FOODSERVICE, LLC ZELF BEPAALT WELKE OPTIE WORDT GEKOZEN. FOCUS FOODSERVICE, LLC KAN NIET AANSPRAKELIJK WORDEN GESTELD VOOR ENIGE MOGELIJKE INCIDENTELE SCHADE OF GEVOLGSCHADE ONGEACHT OF ZIJ DIRECT OF INDIRECT IS ONTSTAAN.

DEZE GARANTIE WORDT EXPLICIET TOEGEKEND TER VERVANGING VAN ALLE ANDERE GARANTIES, MET INBEGRIIP VAN GARANTIES INZAKE VERHANDELBAARHEID EN GESCHIKTHEID VOOR EEN BEPAALD DOEL.

Foodservice Customers
Focus Foodservice, LLC
Retail Service Department
300 Knightsbridge Parkway Suite 500
Lincolnshire, IL 60069
800-968-3918 | (8:00 AM - 5:00 PM Central)
www.focusfoodservice.com

Household and Consumer
Focus Electric, LLC
Consumer Service Department
P.O. Box 2780 | West Bend, WI 53095
866-290-1851 | (8:00 AM - 4:30 PM Central)
www.westbend.com

Warranty valid only in USA and Canada

