

Item No. 554LPG30, 554LPG30RD, 554LPG36, 554LPG36RD, 554LPG48, 554LPG48RD, 554LPG60,
554LPG60RD, 554LPG72, 554LPG72RD

04.2022

**BACKYARD
PRO**

LIQUID PROPANE COMMERCIAL OUTDOOR GRILL

User Manual



- + Retain this manual for future reference.
- + Unit must be kept clear of combustibles at all times.

TABLE OF CONTENTS

Introduction	
Table of Contents	2
Owner's Information	2
Serial Plate Example	3
Introduction.....	3
Safety Warnings.....	4-6
Operation	7
Transportation and Storage.....	7
LP Cylinder	
Specifications.....	8
LP Gas Cylinder.....	8
LP Cylinder Leak Test	9
Regulator and Cylinder Connections.....	9
Connect the Cylinder to the Regulator Hose	9-10
Leak Testing.....	10-11
Lighting	12
Cleaning Your Grill.....	13
Burners	14
Grilling.....	15
Food Safety	16
Troubleshooting.....	16
FAQs.....	17

OWNER'S INFORMATION

Please complete this information and retain this manual for the life of the equipment. For warranty purposes, please fill out and retain this information. An example of the serial plate(s) for these units are included below for reference:

Model No. _____

Serial No. _____

Date of Purchase _____

Order No. _____

SERIAL PLATE EXAMPLE

OUTDOOR GAS GRILL

ITEM #:

MODEL #:


INPUT RATING:

MANIFOLD PRESSURE:

SERIAL #:

MADE IN CHINA

DATE OF MANUFACTURE:



**BACKYARD
PRO**

Conforms to ANSI STD Z21.59-2018
 Certified to CSA, STD 1.6-2018
 Outdoor Cooking Gas Appliances

FOR OUTDOOR USE ONLY. IF STORED INDOORS, DETACH AND LEAVE CYLINDER OUTDOORS.

CAUTION: Use only the gas pressure regulator supplied with this appliance. This regulator is set for an outlet pressure of 11" W.C. Turn off LP supply at cylinder when appliance is not in use.

- Minimum clearance from combustible construction:
 - 12" from Sides
 - 24" from Rear
- **DO NOT** use this appliance under overhead combustible surfaces.
- **DO NOT** store a spare LP gas cylinder under or near this appliance.
- **NEVER** fill the cylinder beyond 80% full.
- **ALWAYS** turn off LP supply at cylinder when appliance is not in use.
- If the information above is not followed correctly, a fire causing death or serious injury may occur.

INTRODUCTION

Upgrade to the excellent durability and impressive cooking power of our Backyard Pro stainless steel outdoor grills. Made of extremely durable, 2 mm thick, type 304 stainless steel, these grills are made to resist corrosion and maintain their high quality look and performance throughout your outdoor dining seasons to come.

Choose from a 30", 36", 48", 60" or 72" model to match the output demands of your patio, restaurant, or country club. Each burner packs 16,000 BTUs, providing the power you need for searing and cooking steak, chicken, kebabs, vegetables, and more! Simple high-low control knobs make it easy to set the intensity of the heat for each individual burner.

In addition to their stainless steel bodies, these units also feature stainless steel cooking grates for maximum durability. Two sturdy handles and four casters on each grill make it easy to maneuver them around your outdoor deck or poolside patio for convenient use. They also come with removable water pans to collect drips, minimize flare ups, and make cleanup a breeze.

All of these grills are designed for use with liquid propane gas. A tank holder conveniently holds the propane tank in place without interfering with your under-shelf storage space. These Backyard Pro outdoor grills are ETL and ETL Sanitation Listed and they're available with or without stainless steel dome covers depending on your needs.

SAFETY WARNINGS

Backyard Pro LP Outdoor Grills are designed, built, and sold for commercial use and should be operated by trained personnel only. Clearly post all **DANGERS, CAUTIONS, WARNINGS**, and **OPERATING INSTRUCTIONS** near each unit to insure proper operation and to reduce the chance of personal injury and/or equipment damage.

DANGER: DO NOT use gas grill for indoor cooking or heating. Toxic fumes can accumulate and cause asphyxiation. Do not use in or on boats or recreational vehicles.

WARNING: Improper installation, adjustment, alteration, service, or maintenance could cause injury or property damage. Read the installation, operation, and maintenance instructions thoroughly. Failure to follow these instructions could result in fire or explosion that could cause property damage, personal injury or death.

DANGER: If you smell gas:

- Shut off gas to the appliance.
- Extinguish any open flame.
- Open lid.

If odor continues, keep away from the appliance and immediately call your gas supplier or your fire department.

WARNING:

1. Do not store or use gasoline or other flammable liquids or vapors in the vicinity of this or any other appliance.
2. An LP cylinder not connected for use shall not be stored in the vicinity of this or any other appliance.

WARNING:

1. DO NOT store or use gasoline or any other flammable vapors and liquids within 25 ft. (8m) of this or any other appliance.
2. When cooking with oil/grease, do not allow the oil/grease to exceed 350 °F (177°C). Do not store or use extra cooking oil in the vicinity of this or any other appliance.
3. An LP Cylinder not connected for use should be stored a minimum of 10 feet (3m) away from this or any other appliance. Never fill the cylinder beyond 80 percent full. If the above information not followed exactly, a fire causing death or serious injury may occur.

WARNING: NOTE: The use and installation of this product must conform to local codes. In absence of local codes, use the National Fuel Gas Code, ANSI Z223.1/NFPA54, Natural Gas and Propane Installation Code, CSA B149.1, or Propane Storage and Handling Code, B149.2.

IMPORTANT NOTICE: Read all instructions prior to assembly and use. Read and understand all warnings and precautions prior to operating your grill.

CAUTION:

1. This grill is for use with propane gas only (propane gas cylinder not included).
2. Never attempt to attach this grill to the self-contained propane system of a camper trailer, motor home, or house.
3. Never use charcoal or lighter fluid with the gas grill unless using an approved accessory.
4. Do not use gasoline, kerosene, or alcohol for lighting. The LP-gas supply cylinder must be constructed and marked in accordance with the specifications for propane gas cylinders of the U.S. Department of Transportation (DOT) CFR 49. Or the National Standard of Canada, CAN/CSA-B339, Cylinder, Spheres and Tubes for Transportation of Dangerous Goods. This grill is not intended to be used in or installed on recreation vehicles and/or boats.
5. Do not attempt to move the grill while it is lit.
6. Do not use the grill unless it is completely assembled and all parts are securely fastened and tightened.
7. Keep all combustible items and surfaces at least 24 inches (60.9cm) away from grill at all times.
8. DO NOT use this grill or any gas product near unprotected combustible constructions.
9. Do not use in an explosive atmosphere. Keep grill area clear and free from combustible materials, gasoline, and other flammable vapors and liquids.
10. Do not touch metal parts of grill until it has completely cooled (about 45 minutes) to avoid burns, unless you are wearing protective gear (BBQ mittens, pot holders, etc.)
11. Do not alter this grill in any manner.
12. Clean and inspect the hose before each use. If there is evidence of abrasion, wear, cuts, or leaks, the hose must be replaced prior to operating the appliance. The replacement hose assembly will be that which is specified by the manufacturer.
13. Move gas hoses as far away as possible from hot surfaces and dripping hot grease.
14. Never keep a filled container in a hot car or car trunk. Heat will cause the gas pressure to increase, which may open the relief valve and allow gas to escape.
15. Keep the grill's valve compartment, burners and circulating air passages clean. Inspect the grill before each use.



WARNING:

1. This grill is for outside use only, and should not be used in a building, garage or any other enclosed area.
2. The use of alcohol, prescription, or non-prescription drugs may impair the operator's ability to properly assemble or safely operate the grill.
3. Always open grill lid slowly and carefully as heat and steam trapped within the grill can burn you severely.
4. Always place your grill on a hard, level surface far away from combustibles. An asphalt or blacktop surface may not be acceptable for this purpose.
5. Do not leave a lit grill unattended. Keep children and pets away from the grill at all times.
6. Do not place this grill on any type of tabletop surface.
7. Do not use the grill in high winds.

DANGER:

Liquid propane gas is flammable and hazardous if handled improperly. Know its characteristics before using any propane product.

- Propane Characteristics: Flammable, explosive under pressure, heavier than air and settles in pools and low areas.
- In its natural state, propane has no odor. For your safety, an odorant has been added.
- Contact with propane can cause freeze burns to skin.
- This grill is shipped from the factory for propane gas use only.
- Never use a propane cylinder with a damaged body, valve, collar or footing.
- Dented or rusted propane cylinders may be hazardous and should be checked by your propane gas supplier.

	WARNING	
CALIFORNIA PROPOSITION 65		
<p>1. Combustible by-products, such as carbon monoxide, produced when using this product contain chemicals known to the State of California to cause cancer, birth defects, or other reproductive harm.</p>		
<p>2. This product contains chemicals, including lead and lead compounds, known to the State of California to cause cancer, birth defects, or other reproductive harm.</p>		
<p><u>Wash your hands after handling this product.</u></p>		

Your new Backyard Pro Grill has been designed and manufactured to high quality standards. It will provide you with many years of enjoyment with a minimal amount of maintenance. Please keep in mind the following **FOR YOUR SAFETY**.

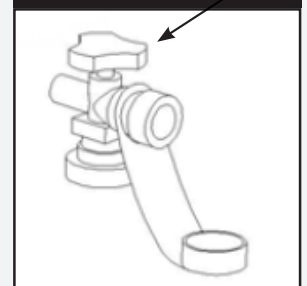
OPERATION

1. Your gas grill requires reasonable care during operation. It will be hot during cooking and cleaning. You should never leave the grill unattended or move the grill when in use.
2. Children should never use your gas grill. Keep younger children and pets away when in use.
3. Only use your gas grill outside in a well-ventilated area. Never use indoors in any building, garage, shed, or under any type of flammable canopy or overhang.
4. Ensure your grill is on level ground and the locking casters are locked before use.
5. Turn all gas valves off should the burners go out when cooking.
6. Do not lean over the grill or touch the edges of the firebox, wind screen or griddle top when in use.
7. Turn the burners off, and shut off the LP cylinder should a grease fire occur.
8. Do not obstruct the flow of combustion and ventilation air to this grill.
9. Keep the outdoor cooking gas appliance area clear and free from combustible materials, gasoline, and other flammable vapors and liquids.
10. Keep the ventilation openings of the cylinder enclosure free and clear from debris.
11. Do not put a barbecue cover or other flammable material in the storage area of this grill.
12. Do not use charcoal briquettes, lava rock, or any type of ceramic product in the gas section of this grill.
13. Do not install or use on or in a recreational vehicle and/or boats.

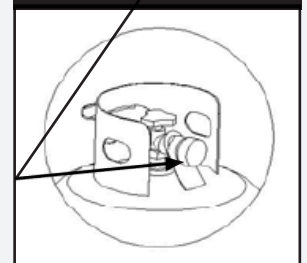
TRANSPORTATION AND STORAGE OF PROPANE CYLINDER

1. The cylinder used must include a collar to protect the cylinder valve.
2. Do not store a spare LP-gas cylinder under or near this appliance.
3. Never fill the cylinder beyond 80 percent full;
4. If the information in “2” and “3” is not followed, a fire potentially causing death or serious injury may occur.
5. Always transport in an upright position.
6. Do not smoke when transporting your cylinder.
7. Place dust cap on cylinder valve outlet whenever the cylinder is not in use. Only install the type of dust cap on the cylinder valve outlet that is provided with the cylinder valve. Other types of cap or plugs may result in leakage of propane.

TRIANGULAR HAND WHEEL



DUST CAP



CYLINDER SPECIFICATIONS

When purchasing or exchanging a cylinder for your gas grill, it must be constructed and marked in accordance with the specifications for LP gas cylinders of the U.S. Department of Transportation (DOT) or the National Standard of Canada, CAN/CSA-B339 Cylinders, Spheres and Tubes for Transportation of Dangerous Goods; and Commission, as applicable; and provided with a listed over-filling prevention device (OPD), and provided with a cylinder connection device compatible with the connection for outdoor cooking appliances.

Provide with a listed overfilling prevention device.

Provided with a cylinder connection device compatible with the connection for outdoor cooking appliances

The cylinder must also be equipped with:

A shut-off valve terminating in a Type 1 gas cylinder valve outlet,

A Type 1 valve that prevents gas flow until a positive seal is obtained,

An arrangement for vapor withdrawal,

A collar to protect the cylinder shut-off valve.

A safety relief device having direct communication with the vapor space of the cylinder,

A listed over-filling prevention device (OPD)

WARNING:

A frosty cylinder valve indicates possible gas overfill.

Close the LP valve and call your dealer immediately.

LP GAS CYLINDER (NOT SUPPLIED WITH THIS GRILL)

The LP (Liquid Propane) gas cylinder specifically designed to be used with this grill must have a 20 lb. (9.1 kg) capacity incorporating a Type 1 cylinder valve and an over-filling protection device (OPD).

This grill is designed to fit Blue Rhino, Worthington, Manchester or SMPC brand 20 lb. (9.1 kg) cylinders. Other brand DOT cylinders may fit this grill if the cylinder has similar dimensions of the top and bottom rings.

DO NOT connect this grill to an existing #510 POL cylinder valve with Left Hand threads. The Type 1 valve can be identified with the large external threads on the valve outlet.

DO NOT connect to a propane cylinder exceeding this capacity.

DO NOT connect to a cylinder that uses any other type of valve connection device.

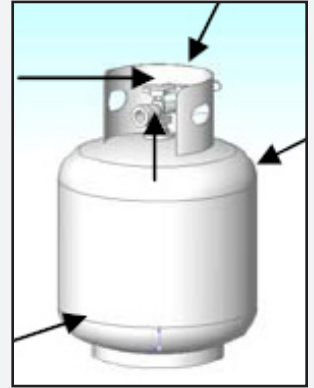
Other cylinders may be acceptable for use with the appliance provided they are compatible with the appliance retention means and accompanied by illustration depicting the cylinder mounted to the appliance utilizing the cylinder retention means and the point of contact between the cylinder and the retention means.

LP CYLINDER LEAK TEST

A leak test should be done each time a cylinder is refilled or exchanged. Do not smoke or use any type of flammable material in the area during this leak test.

Do not use an open flame to check for leaks.

1. Test outside in a well ventilated area.
2. Use a paintbrush and a solution of 50% liquid soap and 50% water.
Do not use cleaning agents and they can damage the fuel supply parts.
3. Brush liquid onto areas highlighted with arrows.
4. Growing bubbles indicate a leak.



REGULATOR AND CYLINDER CONNECTIONS

CAUTION:

The gas pressure regulator provided with this outdoor cooking appliance must be used. This regulator is set for an outlet pressure of 11 inches water column.

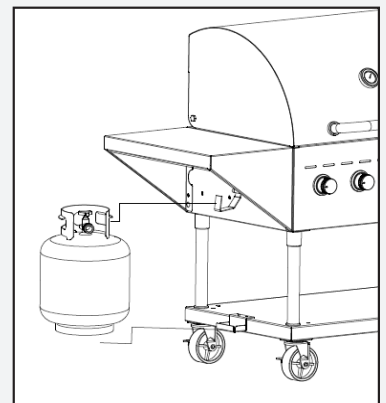
Your regulator is equipped with a Q.C.C. Type 1 quick connect system. It will not allow gas to flow until a positive seal has been made. It has a thermal element that will shut off the gas flow if the temperature reaches 240 degrees F (115 degrees C). It also has a flow-limiting device that will restrict the flow of gas to 10 cubic feet per hour (0.28 cubic meters per hour).

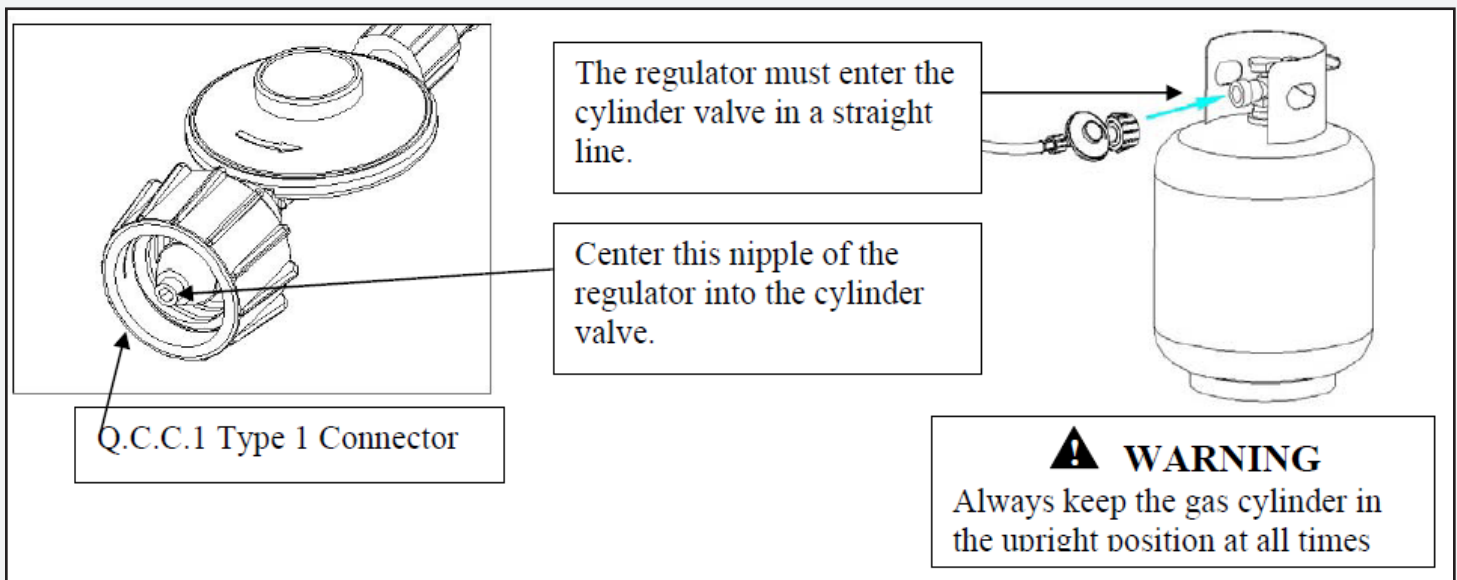
Before each use, check the gas hose for excessive abrasion or wear, or cuts. Replace a hose assembly showing those signs with the hose assembly specified in the p arts list before using the grill

CONNECT THE CYLINDER TO THE REGULATOR HOSE

1. Be sure the LP cylinder is "OFF" by turning the hand wheel clockwise until it stops.
2. Place the cylinder on the hook beside of body with the valve facing outward.
See Assembly Instructions to secure.
3. Be sure all burner controls are turned to the "Off" position.
4. Remove the safety cap from the from the cylinder valve.
5. Center the nipple of the regulator into the cylinder valve
6. Turn the black nut clockwise until it stops.

Hand Tighten Only. Do Not Use A Wrench



**WARNING:**

1. Do not connect this grill to any unregulated sources of propane.
2. Before each use, check the gas hose for excessive abrasion or wear, or cuts. Replace a hose assembly showing those signs with the hose assembly specified in the parts list before using the grill.
3. Always perform the Leak Test listed below before using your grill for the first time, if the cylinder has been changed, any gas components have been changed, the regulator flow-limiting device has been activated, or after a long period of non-use.
4. Do not attempt to connect this grill to the LP system of a motor home or trailer.

LEAK TESTING THE REGULATOR, VALVES, HOSES AND CONNECTIONS

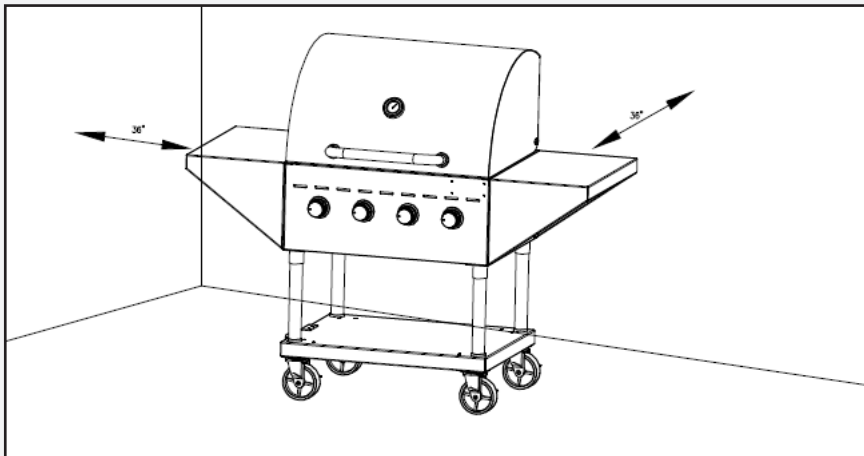
1. Ensure the LP cylinder valve and all burners are "Off".
2. Ensure the LP cylinder is connected to the regulator.
3. If the information in 1 & 2 is not followed exactly, a fire causing death or serious injury may occur.
4. Mix up a solution of 50% water and 50% liquid dish soap. Do not use any household cleaner solution.
5. Open the LP tank valve by turning the hand wheel counterclockwise one turn. If you hear a rushing sound, turn the gas off immediately. In that case, there could be a leak at the connection. Reconnect the cylinder to the regulator.
6. Spray or brush on the solution covering the following areas: regulator and cylinder connection, gas hose connections to the regulator, all gas hoses, all gas hose connections to the burners including the main and side burners.
7. Growing bubbles on any of the parts and connections listed above indicate a gas leak. Immediately shut off the LP tank valve by turning the valve clockwise. Retighten the connections or order replacement parts as needed. Continue to test as necessary until no leaks are detected.
8. Close the LP tank valve by turning the hand wheel clockwise.

WARNING:

1. **DO NOT USE THE GRILL** if you cannot stop the leaks. Be sure the LP cylinder valve is closed. If the LP cylinder is still leaking, contact your LP dealer or local fire department.
2. Do not use any match or open flame, or smoke, during leak testing.
3. Do not light a burner during leak testing.
4. The replacement hose assembly must be the one identified.

FOR YOUR SAFETY:

1. Minimum clearance from sides and back of unit to adjacent combustible construction below top of unit, 36 inches (91 cm) from sides and 36 inches (91 cm) from back.
2. Do not locate this outdoor cooking gas appliance under overhead-unprotected combustible surfaces.

**WARNING:**

1. Do not use this grill in any enclosed area, garage, shed, or under any type of overhead structure or canopy.
2. Operate this grill only in a well ventilated area.

Do not face the grill directly into the wind.

Keep any electrical supply cord and the fuel supply hose away from any heated surfaces and water.

LIGHTING

Always visually inspect your grill before lighting. Replace any hoses that are frayed or cracked before lighting your grill. Look for anything that may be blocking spaces for ventilation and remove. After lighting, always check the flame to ensure you have a good flame all along each burner. If not able to light, or the flame is not even along the entire burner(s), then see the Trouble Shooting section.

WARNING:

1. Read instructions before lighting.
2. If ignition does not occur in 5 seconds, turn the burner control(s) off, wait 5 minutes and repeat the lighting procedure.

LIGHTING THE MAIN BURNERS USING PIEZO IGNITION

1. Ensure all burner control knobs are in the “Off” position.
2. Turn on the LP gas by turning the hand wheel on the cylinder valve.
3. Push in the control knob for the desired burner and turn it to the left, you should hear an audible click and the burner should ignite.
4. If the burner does not light within 5 seconds, turn the burner control knob to “Off”. Wait 5 minutes for the gas to clear, and repeat the above procedure. Use the Manual directions if it still will not light.

MANUALLY LIGHTING THE BURNERS WITH THE MATCH LIGHTING STICK

1. Ensure all burners are in the “Off” position.
2. Slowly turn on the gas at the LP tank valve if it is not already on.
3. Place a match in the Match Holder. This is located in the top center drawer of the grill cabinet underneath the right main burner.
4. Use the holder to slide the lit match through the cooking grates and the front of the heat tent to the left of the burner you wish to light.
5. Press and turn the burner control knob to “HI/LIGHT”. Continue to push in and hold up to 5 seconds or until the burner lights.
6. If the burner does not light within 5 seconds, turn the burner control knob to “Off”. Wait 5 minutes for gas to clear, and try again.
7. When lit, turn the control knob to the desired heat setting.

TURNING OFF YOUR GRILL

1. Turn off the gas supply at the LP tank by turning the valve clockwise.
2. Turn all burner control knobs to the “Off” position.

CLEANING YOUR GRILL

WARNING:

1. Do not clean any part of your barbecue grill in a self-cleaning oven.
2. Do not use oven cleaners, abrasive kitchen cleaners, cleaners that contain citrus products, or mineral spirits.
3. Do not use any type of steel bristled brush.
4. Clean your grill regularly to prohibit grease build-ups and avoid a grease fire or excessive flare-ups.
5. Always allow the grill to cool down prior to cleaning.

STAINLESS STEEL

Clean with multipurpose, low abrasive, non-phosphorous metal or stainless steel polish and a soft cloth. Always polish in the direction of the lines. Do not allow grease and dirt to accumulate. In addition, the following products and naturally occurring substances in the outdoors will damage all stainless steel finishes. Use caution so that they do not come in contact with your Gas Grill. Immediately wash them off and dry the stainless steel should they ever come in contact with your Gas Grill. This includes, but is not limited to, Pool Chemicals (chlorine and bromine), Lawn Fertilizer, Ice Melting Salts, Sea or Salt Water, Bird Droppings, and Tree Sap.

OTHER EXTERIOR SURFACES

Wash with a mild dish soap and warm water. A cloth, soft brush, or plastic cleaning pad can be used. Rinse thoroughly and wipe dry.

COOKING GRATES AND HEAT DIFFUSERS

Use a stiff brass brush. Wash with warm water and mild dish soap as needed, rinse, and dry.

GREASE PAN AND TRAY

Check after each use. Remove and empty the Tray when half full. Remove and clean the Pan as grease builds up. Both can be washed with warm water and mild dish soap.

NOTE: Rust is not covered under warranty.

BURNERS

We recommend you clean your burners at least twice a year, or before use if the grill has not been used in over one month.

WARNING:

Small insects, such as spiders, are able to access the burner tubes. Sometimes they will build nests or spin webs. In either case, this can block or reduce the amount of gas flowing through the burner. You will usually see a smaller flame, or a flame that is mostly yellow rather than blue, coming from the burner when this happens. Other signs include the grill not heating evenly, not reaching temperature, or burners not igniting. In cases with severe blockage, this can cause the flame to burn backwards, and outside of the burner tubes, which can cause damage to your grill and/or personal injury. **IMMEDIATELY SHUT OFF THE FLOW OF LP GAS AT THE CYLINDER BY TURNING THE HAND WHEEL CLOCKWISE SHOULD THIS HAPPEN.** Wait for the grill to cool, and then clean all burners.

CLEANING THE BURNERS

1. Ensure the LP gas is turned off at the LP cylinder.
2. Remove the cooking grates, flame tamer, and grease tray.
3. Remove the cotter pins located underneath the back end of each burner.
4. Lift each burner up and out.
5. Clean the inside of the burner using a stiff wire. A straightened coat hanger is one suggested tool. An alternative way to clean the inside of the burner is using compressed air. Always wear eye protection if using this method. Never enlarge the burner ports during cleaning.
6. Brush the outer surface of the burner.
7. Ensure all ports (holes) are free of all debris
8. Inspect the burner. Replace if any cracks or enlarged holes.
9. Reinstall the burners making sure the burners seat over the valves as shown in the figure to the right.

WARNING:

Properly locating the burner with respect to the orifice is vital for safety.

10. Secure the back of the burners to the firebox with the cotter pins.
11. Replace the grease tray, flame tamer, and cooking grates.
12. Perform a Leak Test described earlier in this guide.

DIRECT VS. INDIRECT COOKING

Food cooked on the grill is either done using direct or indirect cooking. Direct cooking is when the food is cooked directly over the heat. Food is placed in-between the burners for indirect cooking.

DIRECT – Used for Preheating and Searing

Use direct cooking to sear meats. This helps to keep food moist by locking in juices. Some food, such as steak, is first seared using Direct cooking, and then finished cooking using the Indirect method. This is generally used for quicker cooking foods. Preheat the grill to 500°F (260°C). You can shut off one or more burners if you do not need to use the entire grilling surface once you reach over 500°F (260°C). You can also use a medium high heat of 400°F or more by turning the burners down slightly. Place the food directly over the heat source. Remain vigilant when grilling using this method, as it's easy to overcook.

INDIRECT – How Most Food is Cooked on a Gas Grill

Indirect cooking is used for foods that take longer to cook, including large cuts of meat such as roasts. It's also used for cooking more delicate food that can dry out quickly such as fish and poultry, for fattier foods to reduce flare-ups, and when grilling using a roasting pan or aluminum foil. Preheat the grill to 500°F (260°C). Then turn some burners off, and others to medium to low depending on the temperature you want to maintain.

Generally, turn the center burner off for a 3-burner model and the 2 inside burners off on a 4-burner model.

Grills with more than 4 burners will vary depending on what you are cooking. Generally, you want to keep the temperature around 350°F. Do not place the food directly over any burners when using this grilling method.

GRILLING TIPS AND TRICKS

1. Always “Preheat” your grill before cooking. Light all main burners, turn to “HI”, and close the lid until the thermometer reads over 500°F (260°C), which should be 4 minutes. Then adjust the burner control knobs to the proper temperature. Note that no preheating is necessary for the side burner.
2. The thermometer measures the temperature at the top of the lid. The temperature down by the cooking grates is generally somewhat warmer.
3. Mother Nature can impact your grilling times. Allow more cooking time for cold, wind, and higher altitudes. We recommend you place the grill in an area protected from much wind.
4. Trim away any excess fat from meat to reduce flare-ups.
5. Keep similar size portions together so that they cook more evenly.
6. Generally speaking, the more food on the grill, the longer the cooking time.
7. Be aware when using the Direct cooking method, as food can easily become overcooked, burned, or dry out. Food may require more turning, or sometimes, may need to be moved off the flame.
8. Larger pieces of meat generally require more cooking time per pound than smaller pieces of meat.
9. If a major flare-up, or too many flare-ups occur, turn off the gas, move the food away from the flare-up, and close the hood. Restart the grill once the flare-up has died down.
10. Turn foods infrequently. Generally, only turn a steak once during cooking.
11. Use tongs rather than a fork when turning the food on the grill. Less juice will be lost that way.

FOOD SAFETY

1. Always use safe food handling and preparation when using this grill.
2. Wash all poultry, seafood, and vegetables before cooking.
3. Use separate platters, plates, and utensils for uncooked and cooked foods.
4. Leave all meat, poultry, and seafood in the refrigerator until ready to cook.
5. Use a meat thermometer to ensure foods are adequately cooked.

TROUBLESHOOTING

PROBLEM	ISSUE	REMEDY
Burner Will Not Light	Gas supply is turned off.	Turn on gas at LP tank.
	Out of propane.	Check to be sure you still have propane in your tank.
	Regulator is not properly seated into the tank valve.	Remove and reattach. Hand tighten only.
	Crimped fuel supply hose.	Inspect and straighten.
	Regulator failure or damaged hose.	Order replacement part and replace.
	Blockage in the gas system.	Inspect the burners to be sure insects, spider webs, etc do not block them. Clean if necessary. Inspect under the control panel to be sure the burners are aligned properly with the valves.
Irregular Flame or Yellow Flame	New burner may have residual oil.	It will burn off.
	Tubes in burners are blocked.	Remove and clean.
	Burners have a high grease or dirt build-up.	Remove and clean.
	Burners are not aligned properly with the valves.	Inspect under the control panel.
Sudden Drop in Gas Pressure or Flames Blow Out	Out of gas.	Check to be sure you still have propane in your tank.
	Your excessive fuel flow valve has tripped, thereby reducing the flow of gas.	Turn off all burners, wait 30 seconds, and relight grill. If problem persists, turn off all burners. Disconnect regulator from tank. Wait 10 minutes. Reconnect regulator and leak test. Slowly turn on LP tank and relight grill. Other ways the flow limiting device can be activated include: a. A ruptured gas hose. Inspect, perform a leak test, and replace as necessary. b. Opening the control knobs before turning on the LP gas at the tank. Turn on the gas at the LP tank first before turning on a control knob to light. c. Improper purging of tank before it was filled. See your LP gas dealer.
	Wind could be blowing out your burners.	Turn front of grill to face wind or move out of the wind.
Excessive Flare-Ups	Flame tamer, inside of grill, grates, and burners have excess build-up.	Clean each part thoroughly.
	Grease tray is full.	Clean and empty the tray.
	Using too high of heat to cook.	Reduce control knob setting.
	Direct cooking method will produce more flare-ups than indirect.	If using direct method, try using indirect.
Fire Behind the Control Panel	Obstruction of burners.	Clean burners.
	Burners are not aligned properly with the valves.	Inspect under the control panel.
	Gas is leaking from a faulty connection or damaged hose.	Perform a leak test and inspect for leaks. Tighten or replace parts as necessary.

*Immediately shut off LP tank valve and allow grill to cool.

FAQs

CAN I CONVERT MY GAS GRILL FROM ONE FUEL SOURCE TO ANOTHER?

No. Your gas grill is manufactured to specific standards developed by CSA and ANSI for your safety and grilling performance for LP gas. We do not offer conversion kits nor do we recommend you change the fuel type.

HOW ARE YOUR GRILLS TESTED?

Our grills are tested and certified by ETL, a leading worldwide independent testing center, to meet or exceed various ETL and ANSI standards along with various performance standards. The burners and gas line in each grill are also individually tested when each grill comes off the assembly line just prior to packaging. Each burner is ignited for this test.

WHAT IS THE HUMMING NOISE I SOMETIMES HEAR COMING FROM MY REGULATOR?

The humming sound you can hear is just gas flowing through the regulator. There is no need to be concerned with a low volume of noise.

MY GRILL HAS A LOW FLAME ON SOME BURNERS, OR SOME BURNERS WILL NOT LIGHT AT ALL. WHAT CAN CAUSE THIS?

This can be caused by the regulator's flow limiting device, which is generated by a sudden change in pressure. Opening the tank valve too quickly can cause this. In this case, close the LP tank valve and disconnect from the regulator. Let it stand for 10 minutes. Reconnect the regulator to the LP tank.

Open the grill lid. Slowly open the LP tank valve. Follow the burner lighting procedures and light the burner furthest from the LP tank. Continue to light the other burners as you move towards the LP tank.

CAN I USE CERAMIC PLATES, BRIQUETTES OF ANY KIND, OR LAVA ROCKS?

No. Your grill is designed for use only with the heat diffusers unless using another authorized accessory. Grease drips down on to the diffusers and is burned, creating steam and additional flavor.