

# INSTALLATION/OPERATION & TECHNICAL MANUAL

FOR JACKSON MODELS:

*Delta 5*

*Delta 5 D*



---

## **MANUFACTURERS WARRANTY**

### **ONE YEAR LIMITED PARTS & LABOR WARRANTY**

---

ALL NEW JACKSON DISHWASHERS ARE WARRANTED TO THE ORIGINAL PURCHASER TO BE FREE FROM DEFECTS IN MATERIAL OR WORKMANSHIP, UNDER NORMAL USE AND OPERATION FOR A PERIOD OF (1) ONE YEAR FROM THE DATE OF PURCHASE, BUT IN NO EVENT TO EXCEED (18) EIGHTEEN MONTHS FROM THE DATE OF SHIPMENT FROM THE FACTORY.

Jackson MSC agrees under this warranty to repair or replace, at its discretion, any original part which fails under normal use due to faulty material or workmanship during the warranty period, providing the equipment has been unaltered, and has been properly installed, maintained and operated in accordance with the applicable factory instruction manual furnished with the machine and the failure is reported to the authorized service agency within the warranty period. This includes the use of factory specified genuine replacement parts, purchased directly from a Jackson authorized parts distributor or service agency. Use of generic replacement parts may create a hazard and void warranty certification.

The labor to repair or replace such failed part will be paid by Jackson MSC, within the continental United States, Hawaii and Canada, during the warranty period provided a Jackson MSC authorized service agency, or those having prior authorization from the factory, performs the service. Any repair work by persons other than a Jackson MSC authorized service agency is the sole responsibility of the customer. Labor coverage is limited to regular hourly rates, overtime premiums and emergency service charges will not be paid by Jackson MSC.

Accessory components not installed by the factory carry a (1) one year parts warranty only. Accessory components such as table limit switches, pressure regulators, pre rinse units, etc. that are shipped with the unit and installed at the site are included. Labor to repair or replace these components is not covered by Jackson MSC.

This warranty is void if failure is a direct result from shipping, handling, fire, water, accident, misuse, acts of god, attempted repair by unauthorized persons, improper installation, if serial number has been removed or altered, or if unit is used for purpose other than it was originally intended.

#### **TRAVEL LIMITATIONS**

Jackson MSC limits warranty travel time to (2) two hours and mileage to (100) one hundred miles. Jackson MSC will not pay for travel time and mileage that exceeds this, or any fees such as those for air or boat travel without prior authorization.

#### **WARRANTY REGISTRATION CARD**

The warranty registration card supplied with the machine must be returned to Jackson MSC within 30 days to validate the warranty.

#### **REPLACEMENT PARTS WARRANTY**

Jackson replacement parts are warranted for a period of 90 days from the date of installation or 180 days from the date of shipment from the factory, whichever ever occurs first.

#### **PRODUCT CHANGES AND UPDATES**

Jackson MSC reserves the right to make changes in design and specification of any equipment as engineering or necessity requires.

**THIS IS THE ENTIRE AND ONLY WARRANTY OF JACKSON MSC. JACKSON'S LIABILITY ON ANY CLAIM OF ANY KIND, INCLUDING NEGLIGENCE, WITH RESPECT TO THE GOODS OR SERVICES COVERED HEREUNDER, SHALL IN NO CASE EXCEED THE PRICE OF THE GOODS OR SERVICES OR PART THEREOF WHICH GIVES RISE TO THE CLAIM.**

THERE ARE NO WARRANTIES, EXPRESSED OR IMPLIED, INCLUDING FOR FITNESS OR MERCHANTABILITY, THAT ARE NOT SET FORTH HEREIN, OR THAT EXTEND BEYOND THE DURATION HEREOF. UNDER NO CIRCUMSTANCES WILL JACKSON MSC BE LIABLE FOR ANY LOSS OR DAMAGE, DIRECT OR CONSEQUENTIAL, OR FOR THE DAMAGES IN THE NATURE OF PENALTIES, ARISING OUT OF THE USE OR INABILITY TO USE ANY OF ITS PRODUCTS.

#### **ITEMS NOT COVERED**

This warranty does not cover cleaning or deliming of the unit or any component such as, but not limited to, wash arms, rinse arms or strainers at anytime. Nor does it cover adjustments such as, but not limited to timer cams, thermostats or doors, beyond 30 days from the date of installation. In addition, the warranty will only cover the replacement of wear items such as curtains, drain balls, door guides or gaskets during the first 30 days after installation. Also, not covered are conditions caused by the use of incorrect (non-Commercial) grade detergents, incorrect water temperature or pressure, or hard water conditions.

---



**CALL 1-888-800-5672 TO REGISTER THIS PRODUCT!  
FAILURE TO DO SO WILL VOID THE WARRANTY!**

**LLAME AL 1-888-800-5672 PARA REGISTRAR ESTE PRODUCTO!  
AL NO HACERLO LA GARANTIA SERA ANULADA!**

**S.V.P. APPELER 1-888-800-5672 POUR ENREGISTRER CE PRODUIT,  
LA GARANTIE SERA ANNULEE POUR TOUT PRODUIT NON- ENREGISTREE**

---

<b>REVISION/ PAGE</b>	<b>REVISION DATE</b>	<b>MADE BY</b>	<b>APPLICABLE ECN</b>	<b>DETAILS</b>
A	05-25-2007	MAW	N/A	Release to production.
24	10-04-2007	MAW	7934	Changed cover on power junction box.
10	05-20-2009	ARL	QOF 339	Updated programming page diagram.



## Delta 5

Delta 5 - Low temperature, chemically sanitizing, with a booster tank. Detergent, rinse aid & sanitizer chemical feeder pumps

Delta 5 D - Dual door. Low temperature, chemically sanitizing, with a booster tank. detergent, rinse aid & sanitizer chemical feeder pumps

**Model:** \_\_\_\_\_

**Serial No.:** \_\_\_\_\_

**Installation Date:** \_\_\_\_\_

**Service Rep. Name:** \_\_\_\_\_

**Phone No.:** \_\_\_\_\_

Jackson MSC LLC. provides technical support for all of the dishmachines detailed in this manual. We strongly recommend that you refer to this manual before making a call to our technical support staff. Please have this manual with you when you call so that our staff can refer you, if necessary, to the proper page. Technical support is available from 8:00 a.m. to 5:00 p.m. (EST), Monday through Friday. Technical support is not available on holidays. Contact technical support toll free at 1-888-800-5672. Please remember that technical support is available for service personnel only.

---

## TABLE OF CONTENTS

---

<b><u>SECTION</u></b>	<b><u>DESCRIPTION</u></b>	<b><u>PAGE</u></b>
<b>I.</b>	<b>SPECIFICATION INFORMATION</b>	
	Specifications	2
	Dimensions	3
<b>II.</b>	<b>INSTALLATION/OPERATION INSTRUCTIONS</b>	
	Installation Instructions	5
	Electrical Installation Instructions	6
	Operation Instructions	7
	Chemical Dispensing Equipment	9
	Universal Timer Operation	10
	Detergent Control	11
<b>III.</b>	<b>PREVENTATIVE MAINTENANCE</b>	13
<b>IV.</b>	<b>TROUBLESHOOTING SECTION</b>	
	Common Problems	16
<b>V.</b>	<b>PARTS SECTION</b>	
	Chemical Feeder Pump Assembly	18
	Solenoid Valve Repair Parts	19
	Control Box Assembly	22
	Peripump Box Assembly	23
	Electrical Connection Box Assembly	24
	Frame Assembly	25
	Hood Assembly	26
	Switch Panel Assembly	27
	Tub Assembly	29
	Frame & Motor Assembly	31
	Pump and Motor Assembly	32
	Booster Tank Assembly	33
	Incoming Plumbing Assembly	34
	Door Components	35
	Front Panel Assembly	36
<b>VI.</b>	<b>ELECTRICAL SCHEMATICS</b>	
	Delta 5 (115 Volt, 60 Hz, Single Phase)	38
<b>VII.</b>	<b>JACKSON MAINTENANCE &amp; REPAIR CENTERS</b>	40

---

# **SECTION 1: SPECIFICATION INFORMATION**

## SECTION 1: SPECIFICATION INFORMATION

### SPECIFICATIONS OF THE DELTA 5

#### OPERATING CAPACITY ( NSF RATED):

RACKS PER HOUR	29
DISHES PER HOUR	725
GLASSES PER HOUR	725

#### OPERATING CYCLES (SECONDS):

##### NORMAL CYCLE:

WASH TIME	45
RINSE TIME	25
TOTAL CYCLE TIME	90

WASH TANK CAPACITY (GALLONS): 1.2

WASH PUMP CAPACITY (GPM): 61

#### OPERATING TEMPERATURES:

WASH (MINIMUM)	(48.9°C)	120°F
WASH (RECOMMENDED)	(60.0°C)	140°F
RINSE (MINIMUM)	(48.9°C)	120°F
RINSE (RECOMMENDED)	(60.0°C)	140°F

#### WATER REQUIREMENTS:

WATER LINE SIZE NPT	1/2"
DRAIN LINE SIZE NPT	2"
FLOW PRESSURE	20 ± 5 PSI

MINIMUM CHLORINE REQUIRED (PPM): 50

#### ELECTRICAL REQUIREMENTS:

WASH PUMP MOTOR HP 3/4

<u>VOLTS</u>	<u>PH</u>	<u>HZ</u>	<u>RINSE HEATER RATINGS</u>	<u>TOTAL AMPS</u>	<u>TYPICAL ELECTRICAL CIRCUIT</u>
115	1	60	2KW@110V	*16 A	20 AMP

\* This dishmachine is designed so that the wash motor is never running when the wash heater is on. Service load is based upon the higher of the two amperages.

**NOTE: Typical Electrical Circuit is based upon (1) 125% of the full amperage load of the machine and (2) typical fixed-trip circuit breaker sizes as listed in the NEC 2002 Edition. Local codes may require more stringent protection than what is displayed here. Always verify with your electrical service contractor that your circuit protection is adequate and meets all applicable national and local codes. These numbers are provided in this manual simply for reference and may change without notice at any given time.**

#### FRAME DIMENSIONS:

WIDTH	(622.3mm)	24 1/2"
DEPTH	(641.35mm)	25 1/4"
DEPTH, WITH FRONT DOOR OPEN	(933.45mm)	36 3/4"
HEIGHT	(990.6mm)	39"
MAXIMUM WASH CHAMBER CLEARANCE	(292.1mm)	11 1/2"

#### FRAME DIMENSION (DOUBLE DOOR):

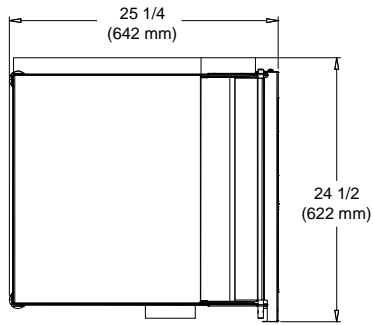
WIDTH	(622.3MM)	24 1/2"
DEPTH	(714.375MM)	28 1/8"
DEPTH, WITH DOOR OPEN	(1311.275MM)	51 5/8"
HEIGHT	(990.6MM)	39"
CHAMBER CLEARANCE	(292.1MM)	11 1/2"

**NOTE: Always refer to the machine data plate for specific electrical and water requirements. The material provided on this page is for reference only and may be subject to change without notice.**



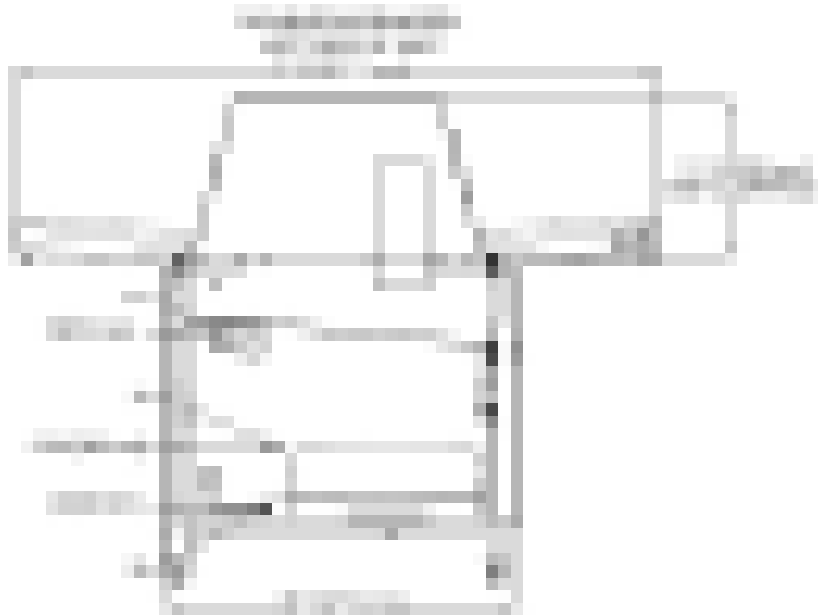
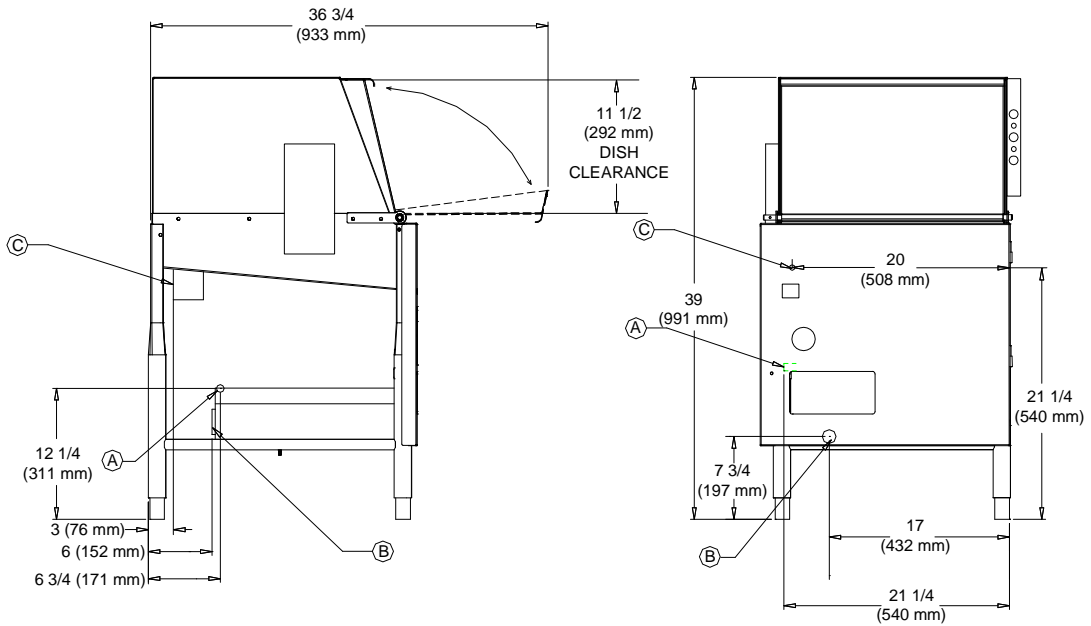
# SECTION 1: SPECIFICATION INFORMATION

## DIMENSIONS



- A - Incoming Water Connection
- B - Drain Connection - 2" IPS
- C - Electrical Connection Point

NOTE: All vertical dimensions are at lowest point due to adjustable bullet feet and may be raised an additional 2 3/4".



---

## **SECTION 2: INSTALLATION/OPERATION INSTRUCTIONS**

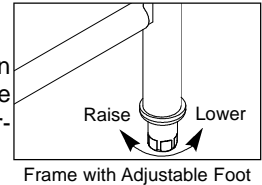
## SECTION 2: INSTALLATION/OPERATION INSTRUCTIONS

### INSTALLATION INSTRUCTIONS

**VISUAL INSPECTION:** Before installing the unit, check the container and the machine for any damage. A damaged container could be an indication of damage to the unit. If there is damage to both the container and the unit, **DO NOT** throw away the container. The dishmachine has been inspected and packed at the factory with the expectation that it will arrive to you in new, undamaged condition. However, rough handling by carriers or others may damage the unit while in transit. If this situation does occur, do not return the unit to Ecolab; instead contact the carrier and ask them to inspect the damage to the unit and to complete an inspection report. You must contact the carrier within 48 hours of receiving the machine. Also, contact your Ecolab representative.

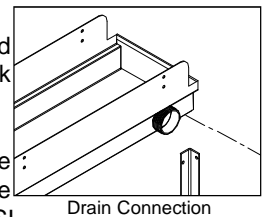
**UNPACKING THE DISHMACHINE:** Remove the machine from the container and inspect for any missing parts. If an item appears to be missing, contact your Ecolab representative immediately to report it.

**LEVEL THE DISHMACHINE:** The dishmachine(s) covered in this manual are designed to operate on a level surface. Ensure that the machine is level from side to side and from front to back; adjust the unit's bullet feet as required. Failure to level the dishmachine may cause decreased washing performance.



**PLUMBING THE DISHMACHINE:** All plumbing connections must comply with all applicable local, state and national plumbing codes. The plumber is responsible for flushing the incoming water line prior to connecting it to remove all foreign debris that may get trapped in the valves or cause an obstruction. Any valves that are fouled by matter left in the water line and the expenses resulting are not the responsibility of the manufacturer.

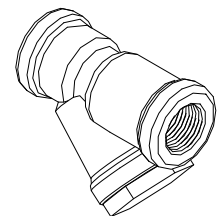
**CONNECTING THE DRAIN LINE:** The Omega 5 drain requires a minimum 2" NPT piping that is pitched at least 1/4" per foot. There must also be an air gap between the machine drain line and the floor sink or drain. If a grease trap is required by code, it should have a flow capacity of 5 gallons per minute.



**WATER SUPPLY CONNECTION:** Install the water supply line (1/2" NPT minimum) to the dishmachine line y-strainer using copper pipe. It is recommended that a water shut-off valve be installed between the main supply and the machine to allow for service. The water supply line must be capable of 20 ± 5 PSI "flow" pressure at the recommended temperature as indicated on the data plate.

In areas where the water pressure fluctuates or is greater than the recommended pressure, it is suggested that a water pressure regulator be installed. The Omega 5 does not come with a water pressure regulator as standard equipment.

It is also recommended that a shock absorber (not supplied with the Omega 5) be installed in the incoming water line. This prevents line hammer (hydraulic shock), induced by the solenoid valve, which can cause damage to the equipment.



**PLUMBING CHECK:** Slowly turn on the water supply to the machine after connecting the incoming fill line and drain line. Check for leaks and repair as required. Leaks must be repaired prior to placing the machine in operation.

---

## SECTION 2: INSTALLATION/OPERATION INSTRUCTIONS

### ELECTRICAL INSTALLATION INSTRUCTIONS

**ELECTRICAL POWER CONNECTION:** Electrical and grounding connections must comply with all applicable portions of the National Electric Code (ANSI/NFPA 70) and/or other electrical codes that may apply.

Disconnect the electrical power supply and lockout the disconnect switch to indicate that you are working on the circuit.

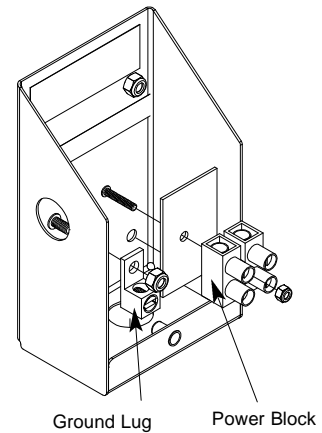
The dishmachine data plate is located on the left front corner of the machine. Refer to this data plate for information concerning the unit's specific electrical requirements.

To install the incoming power lines, open the connection box by removing the connection box lid. Install 1/2" conduit into the pre-punched holes in the back of the connection box. Route the power wires and connect to the power block and grounding lug. Install the service wires (L1 and N) to the appropriate terminals as they are marked on the terminal block. Install the grounding wire into the lug provided. Wires should be firmly secured in place.

It is recommended that "De-Ox" or another similar anti-oxidation agent be used on all voltage connections.

**VOLTAGE CHECK:** Ensure that the machine is off and apply power to the machine. Check the incoming power at the terminal block and ensure it corresponds to the voltage on the machine data plate. Do not run the dishmachine if the voltage is too high or too low. Shut off the service breaker and mark it as being for the dishmachine. Advise all personnel of the location of the service breaker. Replace all covers and tighten the screws.

**NOTE:** Always refer to the machine data plate for specific electrical and water requirements. The material provided on this page is for reference only and may be subject to change without notice.



---

## SECTION 2: INSTALLATION/OPERATION INSTRUCTIONS

### OPERATION INSTRUCTIONS

**OPERATIONAL START-UP AND CHECK:** Before proceeding with the start-up, verify the following:

1. Open the door and verify that the sump strainer is correctly installed in the sump.
2. Verify that the drain stopper is in position.
3. Check that the plugs are securely screwed into the ends of the wash arm.
4. Check that the wash arm is securely screwed into the stationary base and that it rotates freely.
5. Check the levels in all chemical containers and replace if necessary.

**INSTALLATION/INITIAL START-UP PROCEDURE:**

1. Turn on dishmachine

- a) Turn on the incoming power to the machine at the circuit disconnect box.
- b) Turn on the dishmachine by pressing the ON/OFF button. The red light will come on.
- c) Check voltage at incoming terminals L1& L2. The voltage measured at these points should match data plate voltage.
- d) If voltages are in required range, close the control box cover.

2. Fill Rinse Booster Heater with Water

a) Before the heater element can be energized, the rinse booster heater must be initially filled with water. Damage to the heater element will occur if the element is not submerged in water. To initially fill the booster heater with water:

- i) Press and hold the FILL button to turn on the incoming water solenoid valve. Continue holding the button until you hear water entering the wash chamber through the airgap, then release the button. The rinse booster heater is now filled with water.
- ii) Turn off the unit by pressing the on/off switch.

3. Enable Heater Element

a) For the initial start-up only, the heater element must be enabled. The machine is shipped from the factory with the heater element disabled. This is done to ensure that the heater element is not damaged by energizing the element without the element being submerged in water. To enable the heater element:

- i) Remove the booster heater cover panel.
- ii) Connect the tagged white/blue wires.
- iii) Replace heater cover.
- iv) Press the on/off switch, heaters will energize to maintain booster heater temperature.

**Note:** Water must be in the sump while the machine is running to avoid running the pump dry and causing damage to the pump seal.

4. Adjust dishmachine fill level.

If the water level is not between the lines on the drain standpipe, it will require adjustment. Check to ensure that the recommended water pressure is being supplied to the machine (20 ±5 PSI is required). If the water pressure is correct then the electronic timer will need adjustment. Use the following steps to adjust the fill time.

A. Open control box cover.

B. Adjust fill time as per instructions on [aseio of this section.

C. Open and close the door to run a cycle, then check the water level. Adjust as necessary then close the control box cover.

---

## SECTION 2: INSTALLATION/OPERATION INSTRUCTIONS

### OPERATION INSTRUCTIONS (CONTINUED)

**NOTE:** The machine must run a complete cycle to drain and fill. If the machine is not allowed to drain, the water will build up inside the tub. After the initial fill, the rinse water for the current cycle will become the wash water for the next cycle.

The dishmachine is now ready to proceed with the washing of dishes.

**WARNING:** Certain materials, including silver, silver plate, aluminum and pewter, are attacked by sodium hypochlorite sanitizers (bleach).

**PREPARING DISHES:** Preparation of the ware will help ensure good results and less re-washes. If not done properly the dishes will not be clean and will reduce the efficiency of the dishmachine.

The following steps should be followed to ensure good results:

- A. Remove all scraps and gross soil into a garbage can.
- B. Separate and pre-soak silverware.
- C. Separate and pre-soak the egg and casserole dishes.
- D. Scrape all ware with a brush or spatula.
- E. Flush cups, bowls and glasses with running water.
- F. Prewash dishware by soaking or spraying with a pre-rinse hose.
- G. Place dishes and cups in dish rack. Cups should be upside down (so they don't hold water).
- H. Place glasses and flatware in their respective racks. Scatter flatware loosely in rack. Glasses should be placed upside down in a properly sized rack. For optimal results, flatware should be washed twice, the first being horizontal, the second in a special rack to hold flatware vertical.

**DAILY MACHINE PREPARATION:** Before proceeding with start-up, verify the following:

- A. Open door and verify that the sump strainer is in place in the sump.
- B. Verify that the drain stopper is in position.
- C. Check that the plugs are securely screwed into the ends of all wash arms.
- D. Check that the wash arms are securely screwed into the stationary bases and rotate freely.
- E. Check levels in all chemical containers and replace if empty.
- F. For initial fill, close doors then depress the "FILL" switch to the "FILL" position.

**WASHING A RACK OF WARE:**

- A. Open doors, place a full rack into the machine, and close doors. Push the start switch and hold until unit starts (about 2 seconds).
- B. After cycle is completed open doors and remove rack.
- C. Repeat steps A and B.

**SHUT DOWN AND CLEANING:**

- A. At the end of mealtime, move the "ON/OFF" switch to the "OFF" position.
- B. Open doors and manually remove drain stopper to drain the unit.
- C. Remove and clean upper and lower wash arms.
- D. Remove and clean the sump strainer.

---

## SECTION 2: INSTALLATION/OPERATION INSTRUCTIONS

### CHEMICAL DISPENSING EQUIPMENT



**WARNING:** CHLORINE-BASED SANITIZERS CAN BE DETRIMENTAL TO YOUR MACHINE IF THE CHEMICAL SOLUTION IS TOO STRONG. SEE YOUR CHEMICAL PROFESSIONAL TO ENSURE YOUR DISPENSER IS SET UP CORRECTLY.

**This equipment is not recommend for use with deionized water or other aggressive fluids. Use of deionized water or other aggressive fluids will result in corrosion and failure of materials and components. Use of deionized water or other aggressive fluids will void the manufacturer's warranty.**

#### TO PREPARE CHEMICAL FEEDER PUMPS FOR OPERATION

The Delta 5 dishwashers are supplied with detergent, rinse additive and sanitizer dispensing chemical feeder pumps. Locate the open ends of the chemical tubes with the tube stiffeners and place each one in the appropriate container.

- A. **Red** Tubing = **Detergent**
- B. **Blue** Tubing = **Rinse Aid**
- C. **White** Tubing = **Sanitizer**

#### PRIMING CHEMICAL FEEDER PUMPS

Chemical feeder pumps need priming when the machine is first installed or if for some reason the chemical lines have been removed and air is allowed to enter.



**CAUTION:** Water must be in the sump and wash tank prior to the dispensing of chemicals. Sanitizer in concentration is caustic and may cause damage without dilution.

1. Verify that the proper chemical tube stiffener inlet is in the proper container.
2. Use the prime switches located on the control panel at the bottom of the unit to prime each pump. The switches are clearly marked as to what chemical feeder pump they are assigned to.
3. To prime the pumps, hold the switch in the momentary position until chemical can be observed entering the sump.
4. Detergent is dispensed as required during the wash cycle by the universal timer. The amount of detergent may need to be increased or decreased depending on water quality and type of detergent.
5. Rinse additive is dispensed as required into the final rinse. The amount of rinse aid may need to be adjusted depending on water hardness and results.
6. Sanitizer (either chlorine or iodine) is dispensed into the final rinse. The amount of sanitizer may need to be adjusted depending on the concentration and type of sanitizer used.
7. Please refer to the next page for instruction on adjusting the chemical feeder pumps on the universal timer.



**WARNING:** Some of the chemicals used in dishwashing may cause chemical burns if they come in contact with your skin. Wear protective gear when handling these chemicals. If you do come in contact with these chemicals, immediately flush the affected area with fresh water.

---

## SECTION 2: INSTALLATION/OPERATION INSTRUCTIONS

---

### PROGRAMMING INSTRUCTIONS FOR CHEMICAL FEEDER PUMPS (FOR INSTALLATION TECHNICIAN ONLY)

To access the programming mode, the machine must be ON, and idle (between cycles).

On the timer board, press and hold both the MOVE and ENTER buttons on the timer board simultaneously for two seconds.

The PROGRAM light will illuminate.

Once in the programming mode, the MOVE button is used to scroll between the programming categories and the ENTER button is used to select the category.

Press the MOVE button to move the blinking light between FILL, RINSE AID, DETERGENT or SANITIZER.

Press the ENTER button for the chosen category.

The PROGRAM light will illuminate.

To change the value of a parameter, use the MOVE button to illuminate the light next to the time option (time is in seconds). In the time categories, each second in use will light up. To deselect the option, press ENTER and the light will go off, press ENTER again and it will illuminate. Once you have set your time category, press the MOVE button to the ACCEPT option and press ENTER. This will save the changed parameters.

Once you press the ENTER button when the ACCEPT option is illuminated, you will exit the programming mode. To change any other values, you will have to return to the programming mode. To revert back to a previous setting, you must return to that option and change the parameter back to the previous setting.

Once in the programming mode, if there have been no keypad inputs for approximately 2 minutes, the system will automatically exit out of the programming mode. Any changes to parameters will be saved when the programming mode is automatically exited.

The wash and drain settings are not adjustable.

All time adjustments are in seconds. Refer to the chart below for the adjustable outputs.

Timer Programming Board

		Time in Seconds
PGM	<input type="checkbox"/>	
A	<input type="checkbox"/>	8.0
B	<input type="checkbox"/>	4.0
C	<input type="checkbox"/>	2.0
D	<input type="checkbox"/>	1.0
E	<input type="checkbox"/>	0.8
F	<input type="checkbox"/>	0.4
G	<input type="checkbox"/>	0.2
H	<input type="checkbox"/>	0.1
ACCEPT	<input type="checkbox"/>	

MOVE

ENTER



---

## SECTION 2: INSTALLATION/OPERATION INSTRUCTIONS

### DETERGENT CONTROL

Detergent usage and water hardness are two factors that contribute greatly to how efficiently your dishwasher will operate. Using detergent in the proper amount can become, in time, a source of substantial savings. A qualified water treatment specialist can tell you what is needed for maximum efficiency from your detergent, but you should still know some basics so you'll understand what they are talking about.

First, you must understand that hard water greatly affects the performance of the dishwasher. Water hardness is the amount of dissolved calcium and magnesium in the water supply. The more dissolved solids in the water, the greater the water hardness. Hard water works against detergent, thereby causing the amount of detergent required for washing to increase. As you use more detergent, your costs for operating the dishwasher will increase and the results will decrease. The solids in hard water also may build-up as a scale on wash and rinse heaters, decreasing their ability to heat water. Water temperature is important in removing soil and sanitizing dishes. If the water cannot get hot enough, your results may not be satisfactory. This is why Jackson recommends that if you have installed the machine in an area with hard water, that you also install some type of water treatment equipment to help remove the dissolved solids from the water before it gets to the dishwasher.

Second, hard water may have you adding drying agents to your operating cycle to prevent spotting, when the real problem is deposited solids on your ware. As the water evaporates off of the ware, the solids will be left behind to form the spotting and no amount of drying agent will prevent this. Again, using treated water will undoubtedly reduce the occurrences of this problem.

Third, treated water may not be suitable for use in other areas of your operation. For instance, coffee made with soft water may have an acid or bitter flavor. It may only be feasible to install a small treatment unit for the water going into the dishwasher itself. Discuss this option with your qualified water treatment specialist.

Even after the water hardness problems have been solved, there still must be proper training of dishwasher operators in how much detergent is to be used per cycle. Talk with your water treatment specialist and detergent vendor and come up with a complete training program for operators. Using too much detergent has as detrimental effects as using too little. The proper amount of detergent must be used for job. It is important to remember that certain menu items may require extra detergent by their nature and personnel need to be made aware of this. Experience in using the dishwasher under a variety of conditions, along with good training in the operation of the machine, can go a long way in ensuring your dishwasher operates as efficiently as possible.

Certain dishwasher models require that chemicals be provided for proper operation and sanitization. Some models even require the installation of third-party chemical feeders to introduce those chemicals to the machine. Jackson does not recommend or endorse any brand name of chemicals or chemical dispensing equipment. Contact your local chemical distributor for questions concerning these subjects.

Some dishwashers come equipped with integral solid detergent dispensers. These dispensers are designed to accommodate detergents in a certain sized container. If you have such a unit, remember to explain this to your chemical distributor upon first contacting them.

As explained before, water temperature is an important factor in ensuring that your dishwasher functions properly. The data plate located on each unit details what the minimum temperatures must be for either the incoming water supply, the wash tank and the rinse tank, depending on what model of dishwasher you have installed. These temperatures may also be followed by temperatures that Jackson recommends to ensure the highest performance from your dishwasher. However, if the minimum requirements are not met, the chances are your dishes will not be clean or sanitized. Remember, a dish can look clean, but it may not be sanitized. Instruct your dishwasher operators to observe the required temperatures and to report when they fall below the minimum allowed. A loss of temperature can indicate a much larger problem such as a failed heater or it could also indicate that the hot water heater for your operation is not up to capacity and a larger one may need to be installed.

There are several factors to consider when installing your dishwasher to ensure that you get the best possible results from it and that it operates at peak efficiency for many years. Discuss your concerns with your local chemical distributor and water treatment specialist before there is a problem.

---

## **SECTION 3: PREVENTATIVE MAINTENANCE**

---

## SECTION 3: PREVENTATIVE MAINTENANCE

### PREVENTATIVE MAINTENANCE

---

The dishmachines covered in this manual are designed to operate with a minimum of interaction with the operator. However, this does not mean that some items will not wear out in time. Jackson highly recommends that any maintenance and repairs not specifically discussed in this manual should be performed by **QUALIFIED SERVICE PERSONNEL ONLY**. Performing maintenance on your dishmachine may void your warranty if it is still in effect.

There are many things that operators can do to prevent catastrophic damage to the dishmachine. One of the major causes of component failure has to do with prescrapping procedures. A dishmachine is not a garbage disposal; any large pieces of material that are put into the machine shall remain in the machine until they are either broken up (after spreading out on your ware!) or physically removed. Strainers are installed to help catch debris, but they do no good if they are clogged. Have operators regularly inspect the pan strainers to ensure (1) that they are free of soil and debris and (2) they are laying flat in the tub.

When cleaning out strainers, do **NOT** beat them on waste cans. The strainers are made of metal and can be forgiving; but once severe damage is done, it is next to impossible for the strainer to work in the way it was designed to. Wipe out strainers with a rag and rinse under a faucet if necessary. For stubborn debris, a toothpick should be able to dislodge any obstructions from the perforations. Always ensure that strainers are placed back in the machine before operation and that they lay flat in the tub.

You may wish to also refer to the page entitled "Detergent Control" in order to learn more about how your water hardness will effect the performance of your machine. Hard water makes dishmachines work harder and decreases efficiency.

Again, it is important to remind operators that trying to perform corrective maintenance on the dishmachine could lead to larger problems or even cause harm to the operator. If a problem is discovered; secure the dishmachine using proper shut down procedures as listed in this manual and contact a **QUALIFIED SERVICE AGENCY**.

Some problems, however, may have nothing to do with the machine itself and no amount of preventative maintenance is going to help. A common problem has to do with temperatures being too low. Verify that the water temperatures coming to your dishmachine match the requirements listed on the machine data plate. There can be a variety of reasons why your water temperature could be too low and you should discuss it with a **QUALIFIED SERVICE AGENCY** to determine what can be done.

By following the operating and cleaning instructions in this manual, you should get the most efficient results from your machine. As a reminder, here are some steps to take to ensure that you are using the dishmachine the way it was designed to work:

1. Ensure that the water temperatures match those listed on the machine data plate.
2. Ensure that all strainers are in place before operating the machine.
3. Ensure that all wash and/or rinse arms are secure in the machine before operating.
4. Ensure that drains are closed/sealed before operating.
5. Remove as much soil from dishes by hand as possible before loading into racks.
6. Do not overfill racks.
7. Ensure that glasses are placed upside down in the rack.
8. Ensure that all chemicals being injected to machine have been verified as being at the correct concentrations.
9. Clean out the machine at the end of every workday as per the instructions in the manual.
10. Always contact a **QUALIFIED SERVICE AGENCY** whenever a serious problem arises.
11. Follow all safety procedures, whether listed in this manual or put forth by local, state or national codes/regulations.

---

## **SECTION 4: TROUBLESHOOTING**

---

## SECTION 4: TROUBLESHOOTING SECTION

### COMMON PROBLEMS



**WARNING:** Inspection, testing and repair of electrical equipment should be performed only by qualified service personnel. Certain procedures in this section require electrical tests or measurements while power is applied to the machine. **Exercise extreme caution at all times.** If test points are not easily accessible, disconnect power, attach test equipment and reapply power to test. When replacing electrical parts, disconnect power at source circuit breaker.

**Problem: Water overflow from bottom of door.**

1. Clogged drain. Remove obstruction.
2. Machine not level. Level machine, or increase height to the front.
3. Excessive inlet pressure. Install pressure reducing valve, or adjust if one is present. Ensure flow is 20 ± 5 PSI.
4. Detergent foaming. Reduce detergent quantity.
5. Excessive fill time. Adjust timer fill time as per Section 2.

**Problem: Wash motor doesn't operate on manual wash.**

1. Loose or broken wires. Reconnect or replace wires in motor.
2. Defective manual wash switch. Replace.
3. Defective motor starting relay. Replace.

**Problem: Motor operates on manual wash/delime but not on automatic.**

1. Defective circuit in manual wash switch. Replace switch.

**Problem: No water comes through the rinse arms when the "FILL" switch is depressed.**

1. Water not turned on. Turn water on.
2. Defective solenoid valve. Replace solenoid valve.

**Problem: Little or no water coming through the rinse assemblies.**

1. Limed up rinse heads or piping. Delime rinse heads.
2. Low water pressure. Increase pipe size to machine. Adjust pressure regulator.

**Problem: Rinse water runs continuously with breaker turned off.**

1. Defective plunger in solenoid valve. Replace.
2. Defective diaphragm in solenoid valve. Replace diaphragm.

**Problem: Wash temperature not at required reading on thermometer.**

1. Check that white/blue wires are connected. See note on page 12.
2. Defective thermometer. Replace.
3. Defective thermostat. Adjust thermostat. Replace thermostat.
4. Rinse heater defective. Replace heater element.
5. Defective heater contactor R2. Replace.
6. Incoming inlet water temperature below required minimum.
7. Defective heater delay relay (R4). Replace

---

## SECTION 4: TROUBLESHOOTING SECTION

### COMMON PROBLEMS



**WARNING:** Inspection, testing and repair of electrical equipment should be performed only by qualified service personnel. Certain procedures in this section require electrical tests or measurements while power is applied to the machine. **Exercise extreme caution at all times.** If test points are not easily accessible, disconnect power, attach test equipment and reapply power to test. When replacing electrical parts, disconnect power at source circuit breaker.

**Problem: Rinse water not at required temperature range.**

1. Check that white/blue wires are connected. See note in installation instructions.
2. Thermometer is defective. Replace.
3. Thermostat is defective. Adjust the thermostat. Replace if necessary.
4. Incoming rinse water does not meet minimum criteria indicated on machine data plate. Adjust as required.

**Problem: No indication of pressure.**

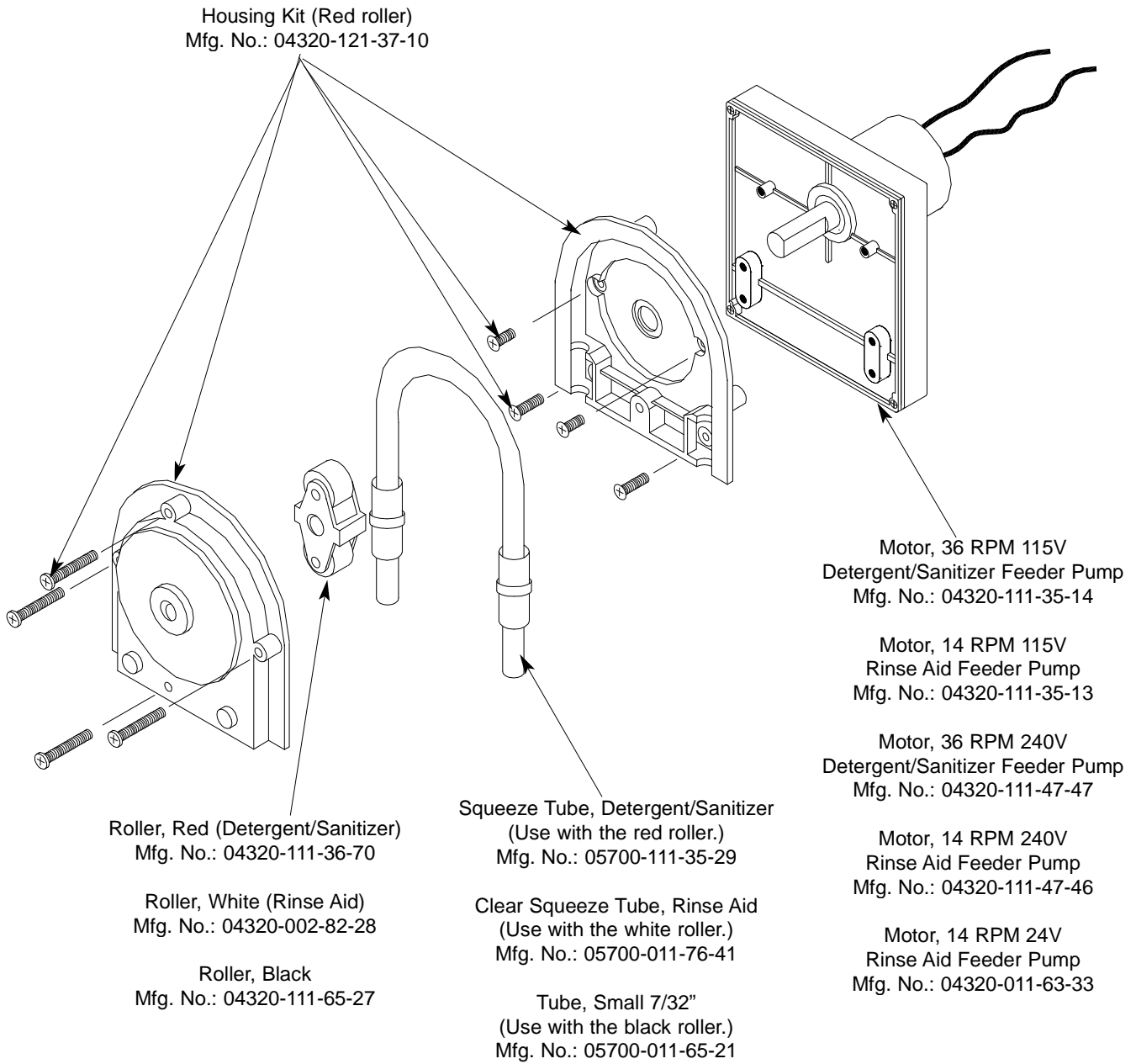
1. Water turned off. Turn water on.
2. Pressure gauge defective. Replace pressure gauge.

---

## **SECTION 5: PARTS SECTION**

**SECTION 5: PARTS SECTION**  
**CHEMICAL FEEDER PUMP ASSEMBLY**

Squeeze Tube Lubricant



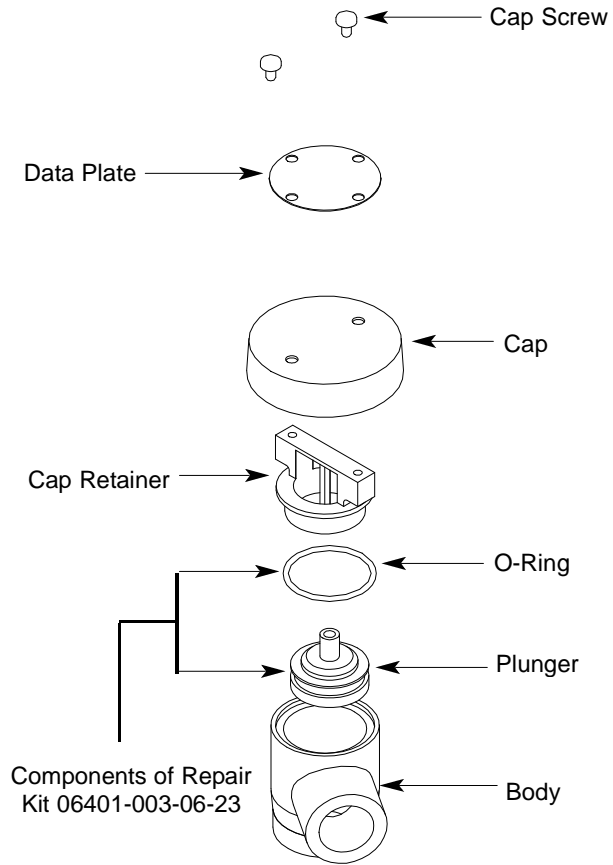
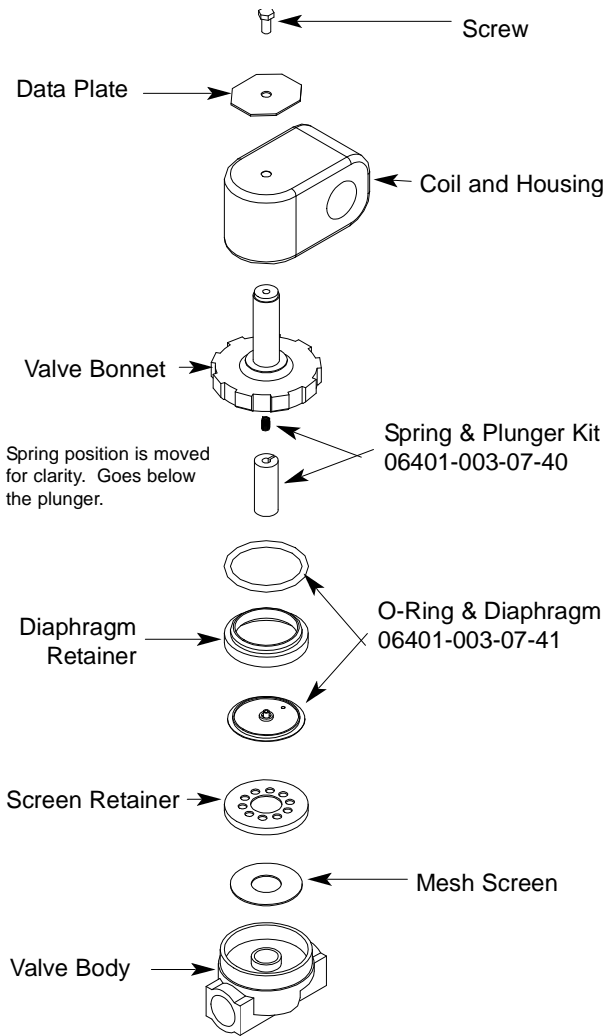
1/4" Sight Tube  
 3/8" Sight Tube

Ecolab No.: 92001017  
 Ecolab No.: 96569496

Mfg. No.: N/A  
 Mfg. No.: 05700-111-35-33



**SECTION 5: PARTS SECTION**  
**SOLENOID VALVE REPAIR PARTS KITS**



**Complete Vacuum Breaker Assembly, 1/2" NPT**  
 04820-003-06-13

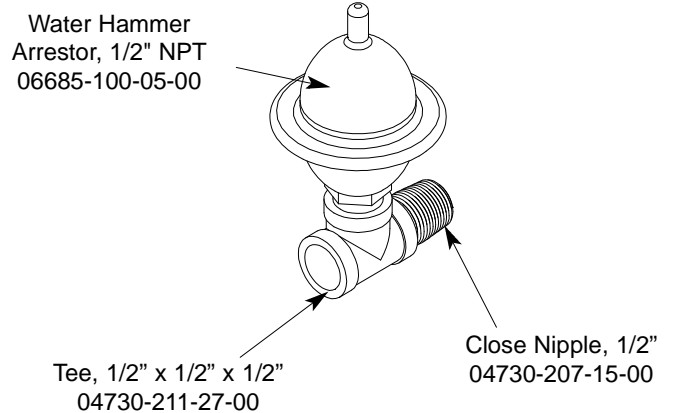
**Complete 110 Volt Solenoid Valve Assembly, 1/2"**  
 04810-100-12-18

**Coil & Housing only, 1/2"**  
 06401-003-07-43

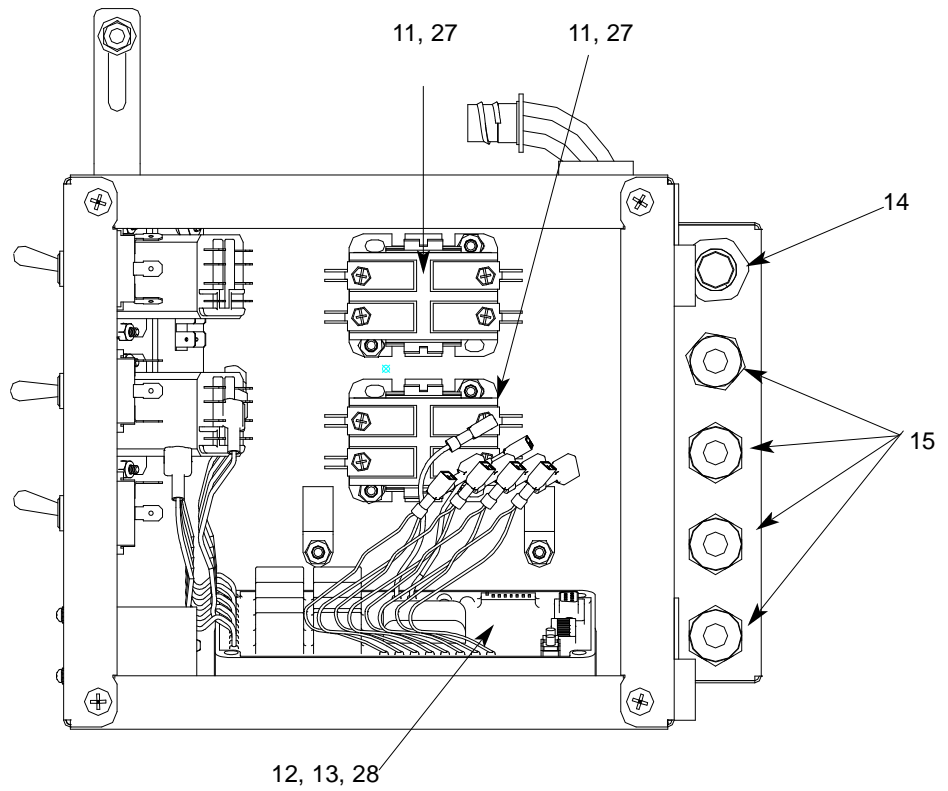
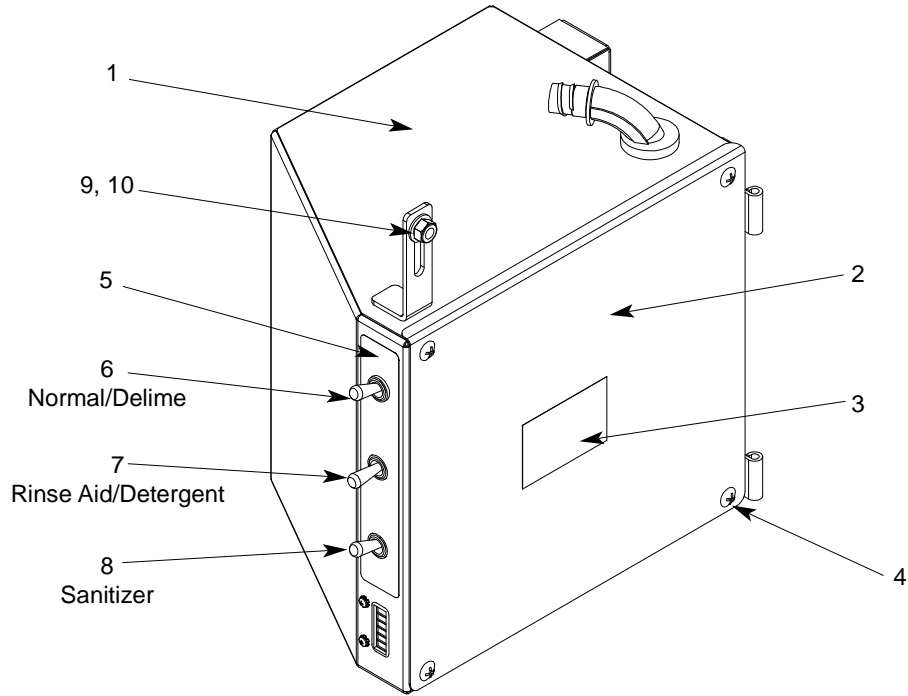
**Complete 220 Volt Solenoid Valve Assembly, 1/2"**  
 04810-100-09-18

**Coil & Housing only, 1/2"**  
 06401-003-07-44

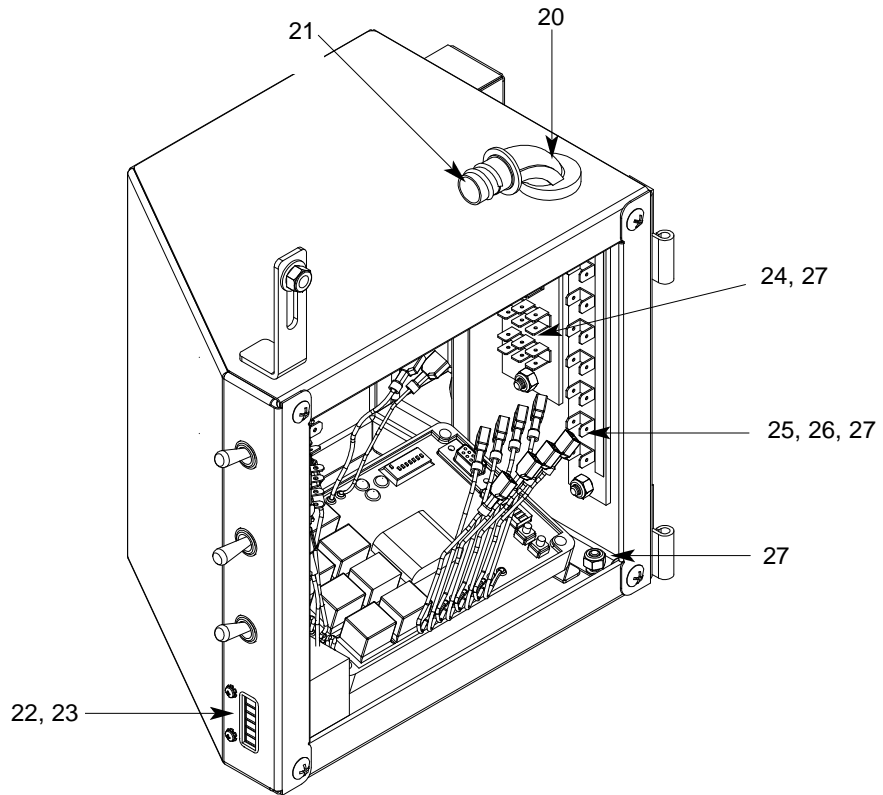
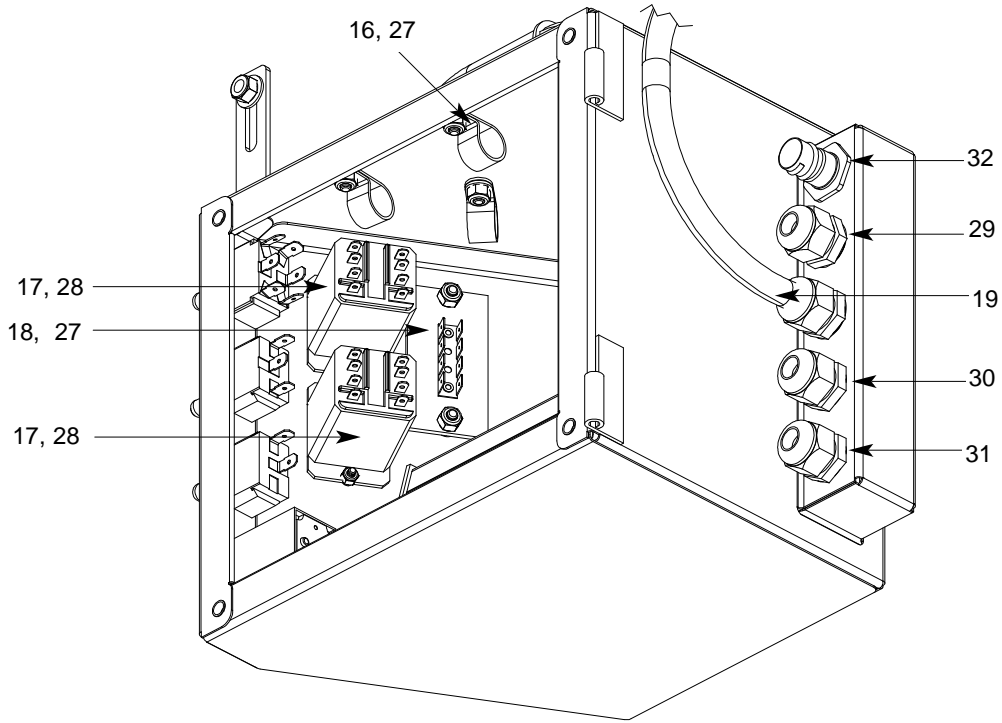
**Water Hammer Arrestor Assembly**  
 05700-002-64-67



**SECTION 5: PARTS SECTION**  
**CONTROL BOX ASSEMBLY**



**SECTION 5: PARTS SECTION**  
**CONTROL BOX ASSEMBLY**

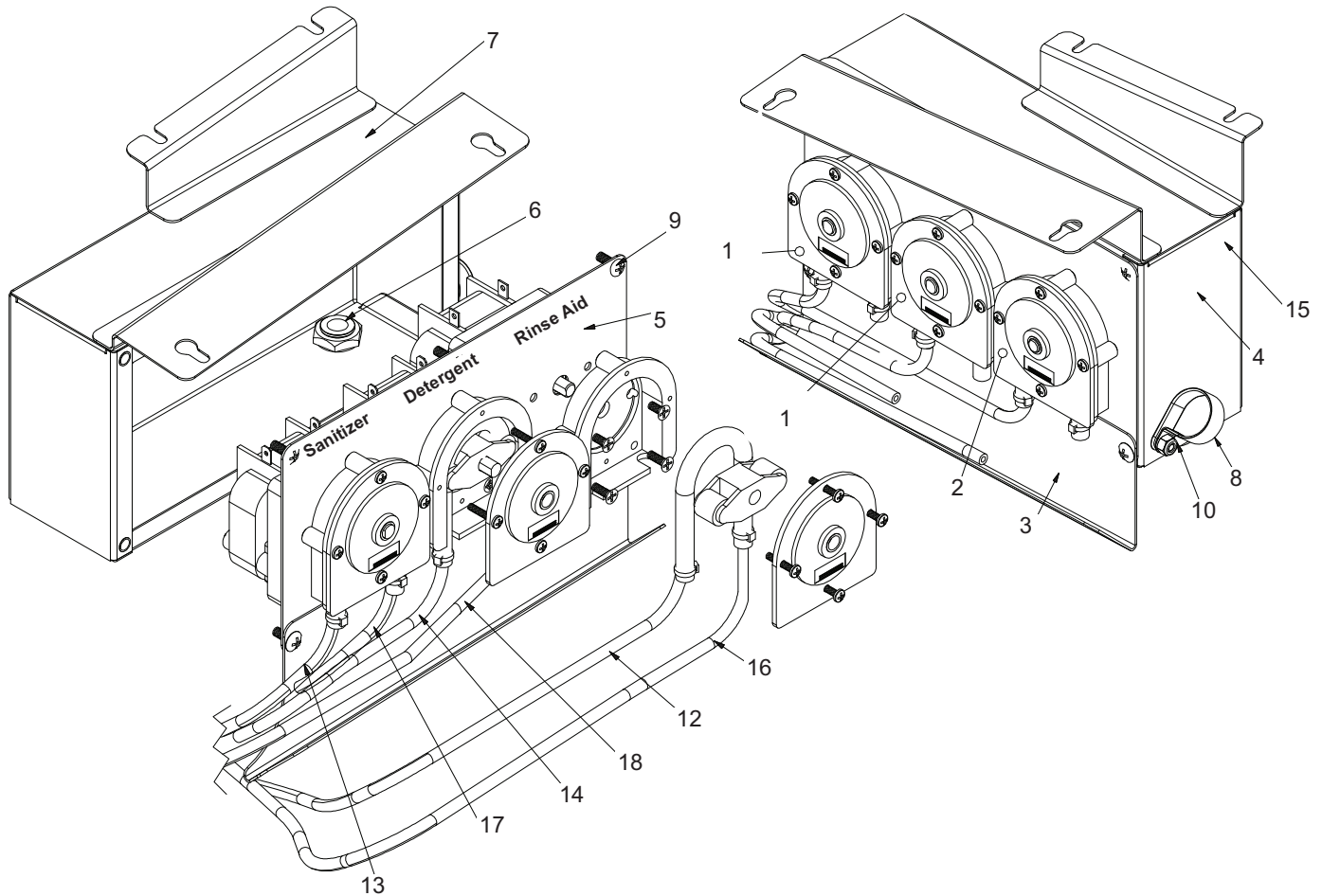


**SECTION 5: PARTS SECTION**  
**CONTROL BOX ASSEMBLY (CONTINUED)**

<b>ITEM</b>	<b>QTY</b>	<b>DESCRIPTION</b>	<b>Mfg. No.</b>
1	1	Control Box Weldment	05700-003-38-84
2	1	Control Box Cover	05700-003-30-54
3	1	Decal, Warning - Disconnect Power	09905-100-75-93
4	4	Screw, 10-32 x 1/2" Long, Phillips Tusshead	05305-011-39-36
5	1	Decal, Peri-pump Prime	09905-003-32-56
6	1	Switch, Delime/Normal	05930-301-21-18
7	1	Detergent/Rinse Aid Pump Prime Switch	05930-011-35-27
8	1	Sanitizer Pump Prime Switch	05930-111-38-21
9	1	Locknut, 1/4"-20 S/S Hex with Nylon Insert	05310-374-01-00
10	1	Washer, 1/4"-20 S/S	05311-174-01-00
11	2	Contactora	05945-109-05-69
12	1	Timer, Universal	05945-003-33-09
13	1	Bracket, Timer	05700- 003-02-08
14	4	Fitting, Conduit, Heyco 1/2"	05975-011-49-03
15	1	Fitting, 1/2" Straight Snap In	05975-011-65-51
16	5	Clamp, 5/8" Nylon	04730-011-39-01
17	2	Relay, 2 Pole	05945-111-35-19
18	1	Terminal Board	05940-021-94-85
19	1	Harness, Switch Panel	05700-003-35-37
20	1	Fitting, 1/2" 90 Deg. Snap In	05975-003-33-28
21	1	Conduit, 1/2" x 40"	05700-003-35-48
22	1	Cycle Counter, 115V	05990-111-35-38
23	2	Screw, 4-40 x 1/4" Phillips Pan Head	05305-002-32-38
24	1	Terminal Board	05940-002-78-97
25	1	Terminal Board	05940-001-97-91
26	1	Decal, Terminal Board 8 Position	09905-003-09-30
27	18	Locknut, 10-24 S/S Hex with Nylon Insert	05310-373-01-00
28	4	Locknut, 6-32 S/S Hex with Nylon Insert	05310-373-03-00
29	1	Harness, Wash Pump	05700-003-35-34
30	1	Harness, Drain Solenoid	05700-003-35-36
31	1	Harness, Peri-pump	05700-003-35-35
32	1	Conduit, 1/2" x 14"	05700-003-35-49

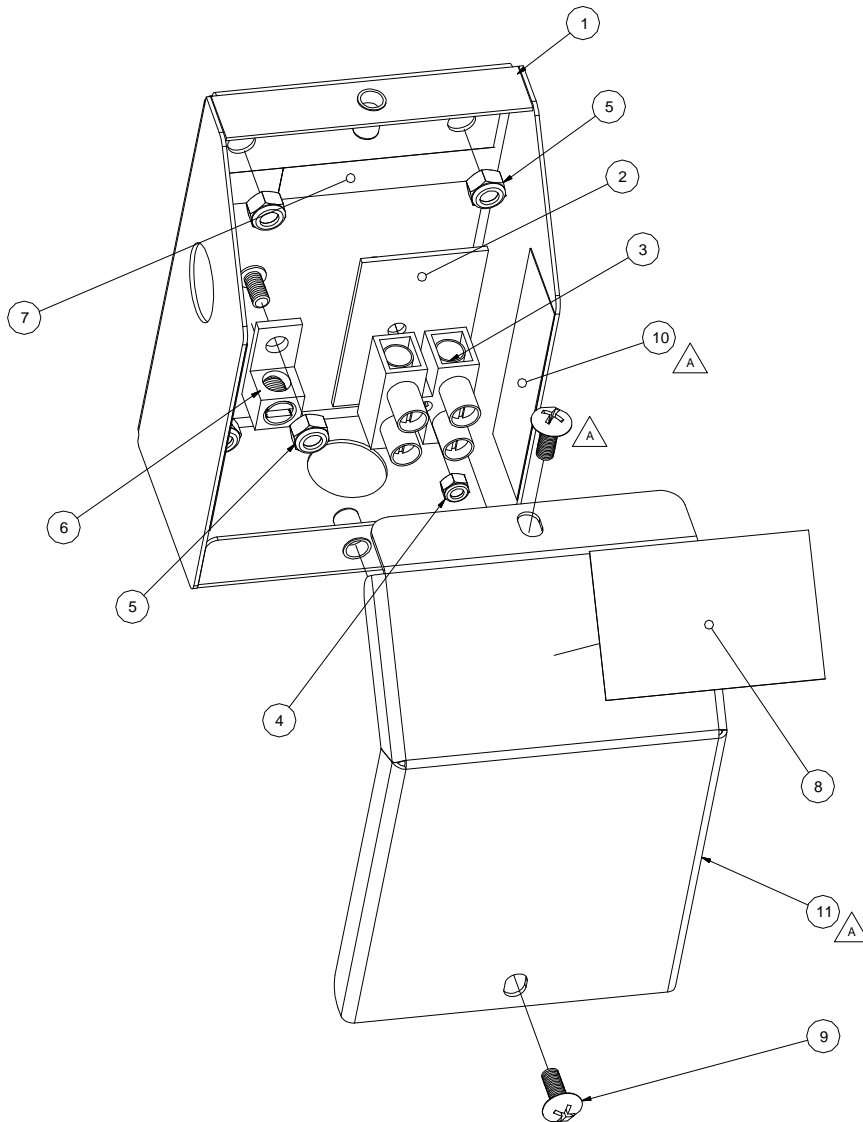
## SECTION 5: PARTS SECTION

### PERI-PUMP BOX ASSEMBLY



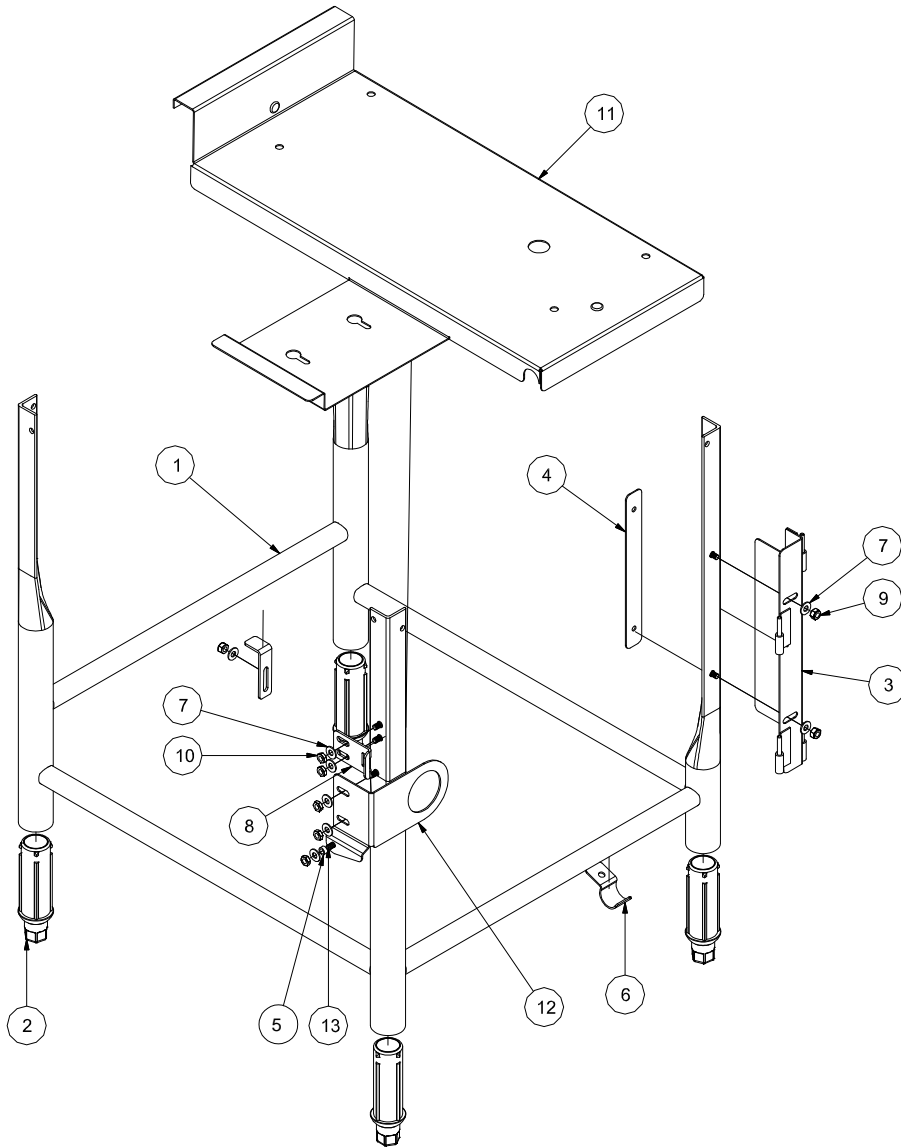
ITEM	QTY	DESCRIPTION	Mfg. No.
1	2	Peri-pump Assembly, 36 RPM	05700-002-96-08
2	1	Peri-pump Assembly, 14 RPM	05700-002-96-09
3	1	Drip Channel	05700-003-32-89
4	1	Weldment, Peri-pump Box	05700-003-32-00
5	1	Weldment, Peri-pump Box Cover	05700-003-33-80
6	1	Fitting, Conduit, Heyco 1/2"	05975-011-65-51
7	1	Clamp, 5/8" Nylon (Located inside of box)	04730-011-39-01
8	1	Clamp, 1" Nylon	04730-002-41-88
9	5	Screw, 10-32 x 1/2" Long, Phillips Tusshead	05305-011-39-36
10	3	Locknut, 10-24 S/S Hex with Nylon Insert	05310-373-01-00
11	3	Tube Stiffener (Not Shown)	05700-002-66-49
12	1	Tubing, 1/4" OD x 60" Long, Blue	05700-002-52-34
13	1	Tubing, 1/4" OD x 60" Long, White	05700-002-52-33
14	1	Tubing, 1/4" OD x 60" Long, Red	05700-011-63-18
15	1	Terminal Board (Not Shown)	05940-001-97-91
16	1	Tubing, 1/4 OD x 120 Long Blue	05700-011-37-17
17	1	Tubing, 1/4 OD x 120 Long White	05700-011-37-13
18	1	Tubing, 1/4 OD x 120 Long Red	05700-011-37-15

**SECTION 5: PARTS SECTION**  
**ELECTRICAL CONNECTION BOX ASSEMBLY**



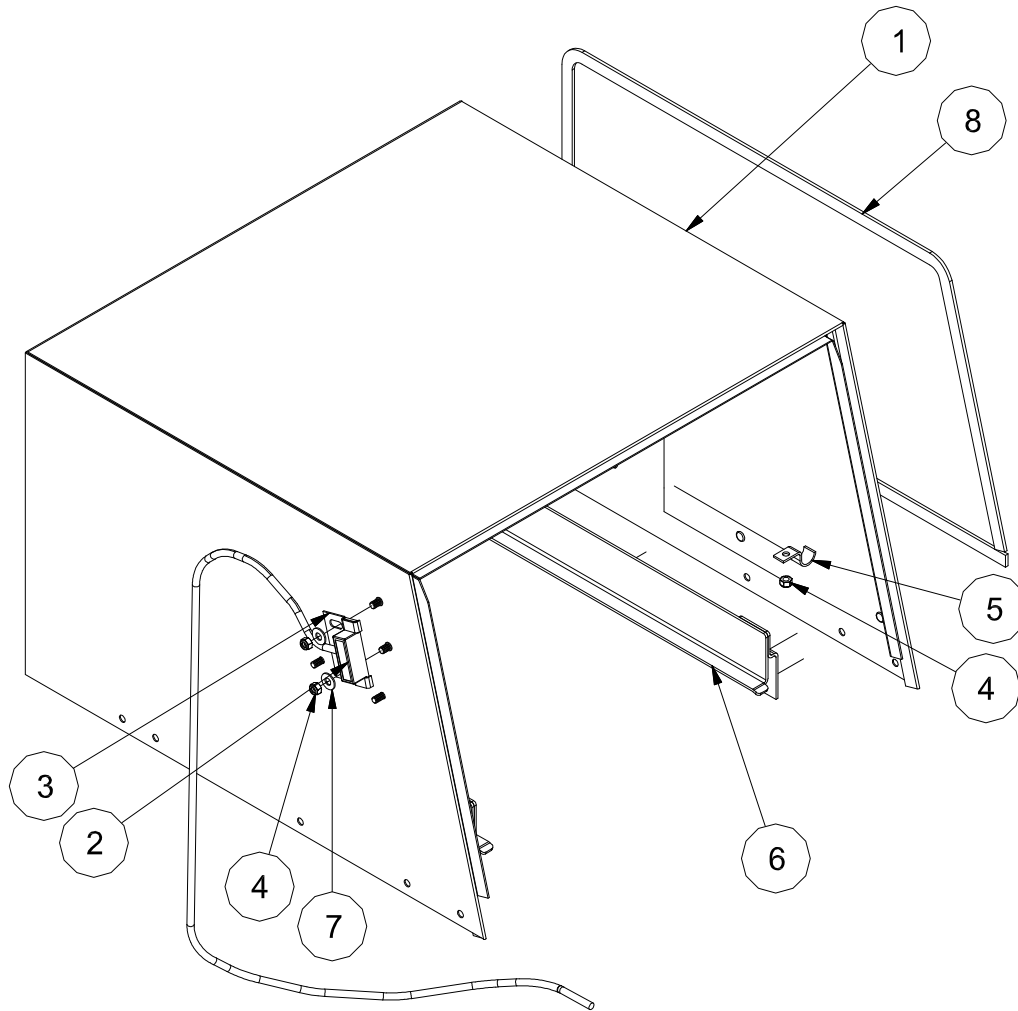
ITEM	QTY	DESCRIPTION	ECOLAB No.	Mfg. No.
1	1	Box, Power Junction Weldment	96633058	05700-003-30-58
2	1	Terminal Block Spacer	96025127	05700-011-40-05
3	1	Terminal Block	96025119	05940-500-09-61
4	1	Locknut, 6-32 with Nylon Insert	88460050	05310-373-03-00
5	5	Locknut, 10-24 with Nylon Insert	88429063	05310-373-01-00
6	1	Lug, Ground	83118000	05940-200-76-00
7	1	Decal, Power Connection	96028402	09905-011-47-64
8	1	Decal, Warning to Disconnect Power	96039821	09905-100-75-93
9	1	Screw, 10-32 x 1/2" Long, Phillips Trusshead	N/A	05305-011-39-36
10	2	Decal, Copper Conductors Only	96021365	09905-011-47-35
11	1	Cover, Solenoid Box	96634672	05700-003-46-72

**SECTION 5: PARTS SECTION**  
**FRAME ASSEMBLY**



ITEM	QTY	DESCRIPTION	Mfg. No.
1	1	Frame Weldment	05700-003-09-40
2	1	Frame Weldment Double Door	05700-003-28-12
3	4	Foot, 3" Adjustable	05340-002-14-55
4	1	Plate, Hinge Weldment	05700-003-10-11
5	1	Washer, Hinge Weldment	05700-002-54-62
6	1	Spacer, PB Bolt	05700-000-29-40
7	1	Clamp, Pipe	05700-000-35-05
8	8	Washer, 1/4"-20 S/S	05311-174-01-00
9	1	Keeper, Door Panel Latch	05700-003-09-31
10	4	Locknut, 1/4"-20 S/S Hex with Nylon Insert	05310-374-01-00
11	5	Nut, Hex 1/4"-20	05310-274-01-00
12	1	Booster Mounting Plate Weldment	05700-002-51-93
13	1	Bracket, Temperature Gauge	05700-003-14-53
14	1	Bolt, 1/4"-20 x 1/2" Long	05305-274-02-00

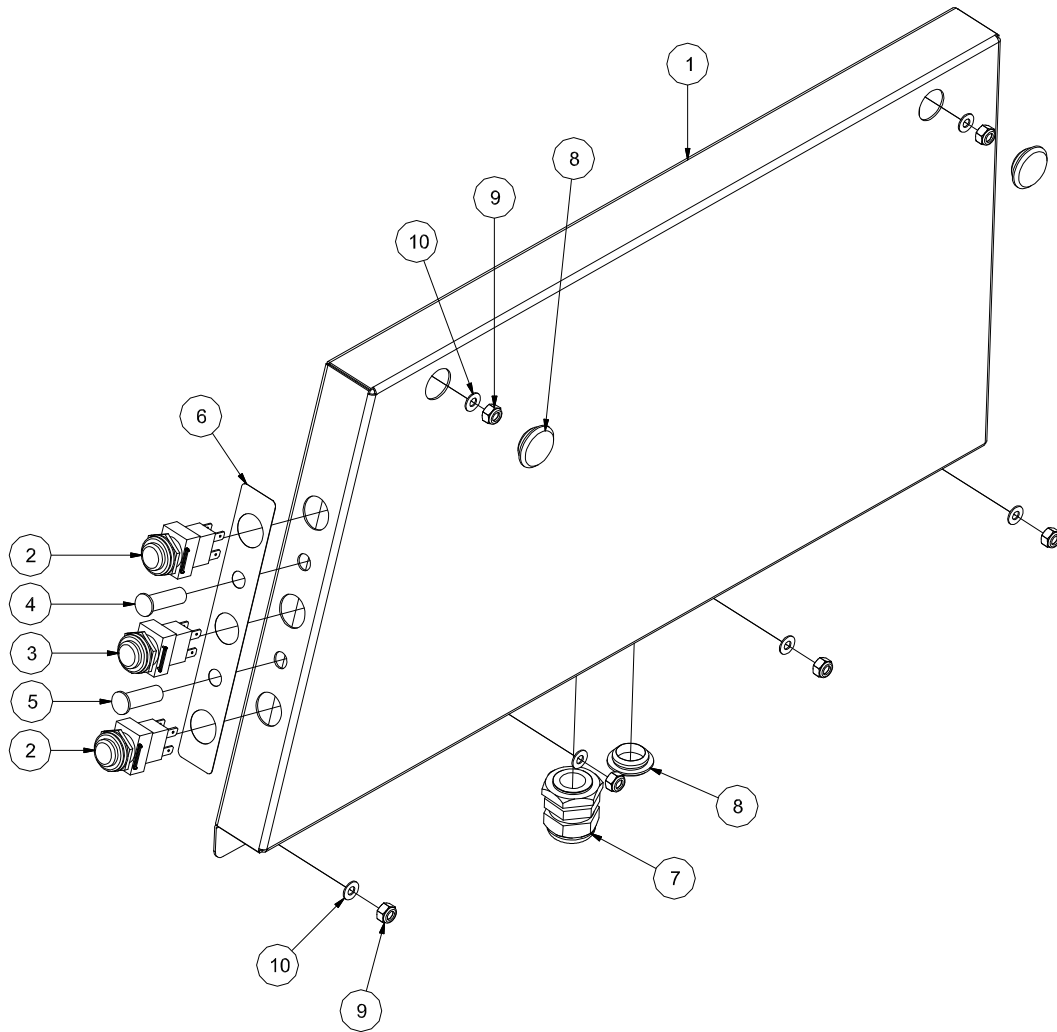
**SECTION 5: PARTS SECTION**  
**HOOD ASSEMBLY**



ITEM	QTY	DESCRIPTION	Mfg. No.
1	1	Hood Weldment	05700-003-09-56
1a	1	Hood Weldment Double Door	05700-003-28-17
2	1	Switch, 115V Reed	05930-002-36-80
3	1	Bracket, Limit Switch	05700-021-71-18
4	4	Locknut, 10-24 with Nylon Insert	05310-373-01-00
5	2	Clamp, Pipe 5/8"	05700-000-35-06
6	2	Rack Rail Weldment	05700-002-45-67
7	2	Washer, 1/4"-20 I.D.	05311-174-01-00
8	1	Gasket, Side Panel (5.3 Feet)	05700-003-35-51



**SECTION 5: PARTS SECTION**  
**SWITCH PANEL ASSEMBLY**

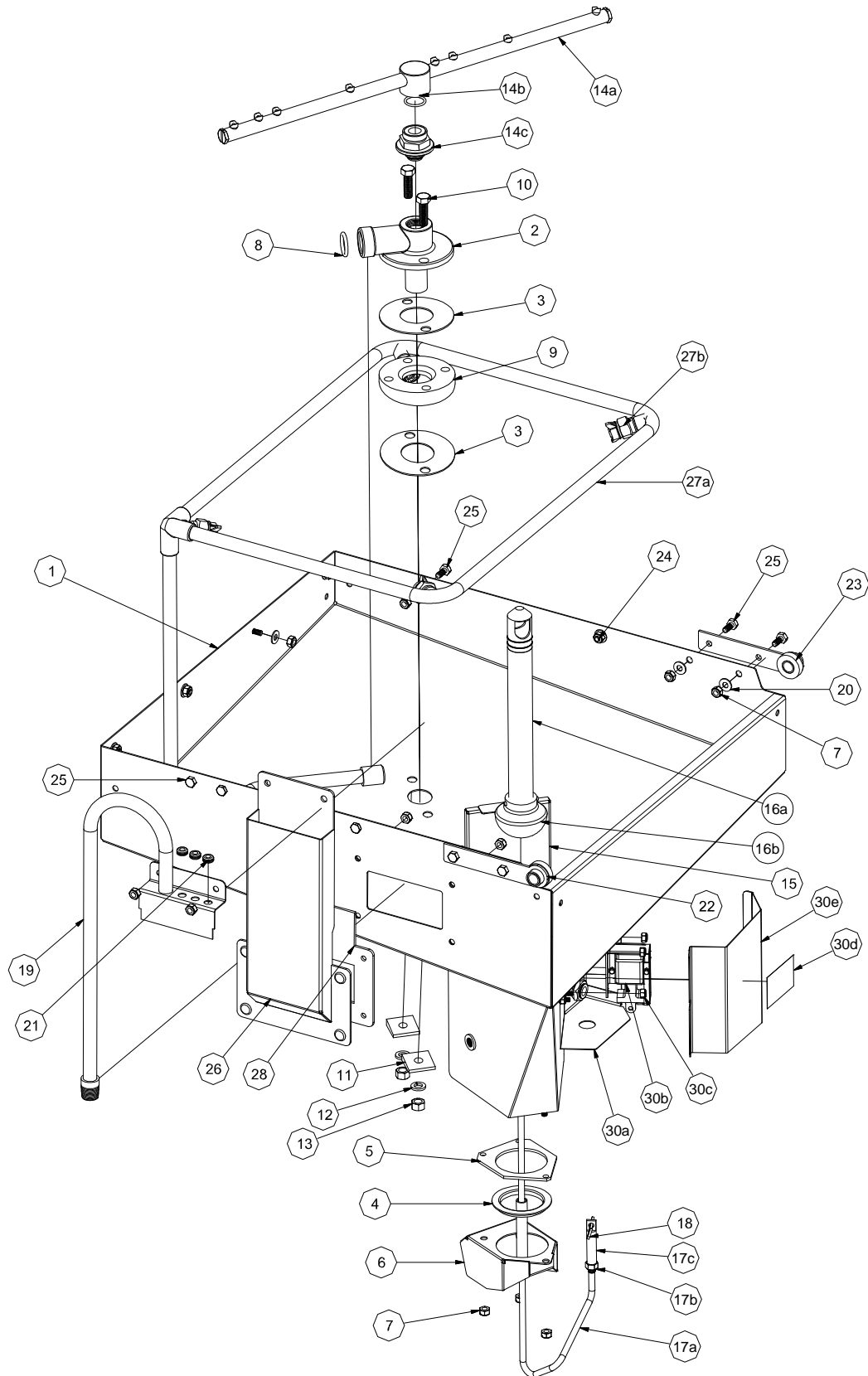


ITEM	QTY	DESCRIPTION	Mfg. No.
		Complete Side Panel Assembly	05700-003-24-38
		Complete Side Panel Assembly (Double Door)	05700-003-24-40
1	1	Side Panel Weldment	05700-003-24-36
1a	1	Side Panel Weldment (Double Door)	05700-003-24-37
2	2 (3)	Switch, Prime Assembly	05700-003-14-91
3	1	Switch, On/Off Assembly	05700-003-14-92
4	1 (2)	Light, Amber	05945-504-06-18
5	1 (2)	Light, Red	05945-504-07-18
6	1	Decal, Switch Panel	09905-003-08-63
7	1	Fitting, .25-.546	05975-011-65-51
8	3 (2)	Plug, 3/4" hole	04730-011-60-21
9	6	Locknut, 10-24 with Nylon Insert	05310-373-01-00
10	6	Washer, #10	05311-173-02-00
11	1	Decal Switch Panel (Double Door Only)	09905-003-38-95
12	1	Fitting (Double Door Only)	05975-011-49-03
13	1	switch (Double Door Only)	05930-002-36-80
14	1	bracket (Double Door Only)	05700-021-71-18
15	1	Terminal Board	05940-001-97-91

ALL NUMBERS THAT ARE IN PARENTHISES ARE FOR THE DOUBLE DOOR

# SECTION 5: PARTS SECTION

## TUB ASSEMBLY



## SECTION 5: PARTS SECTION

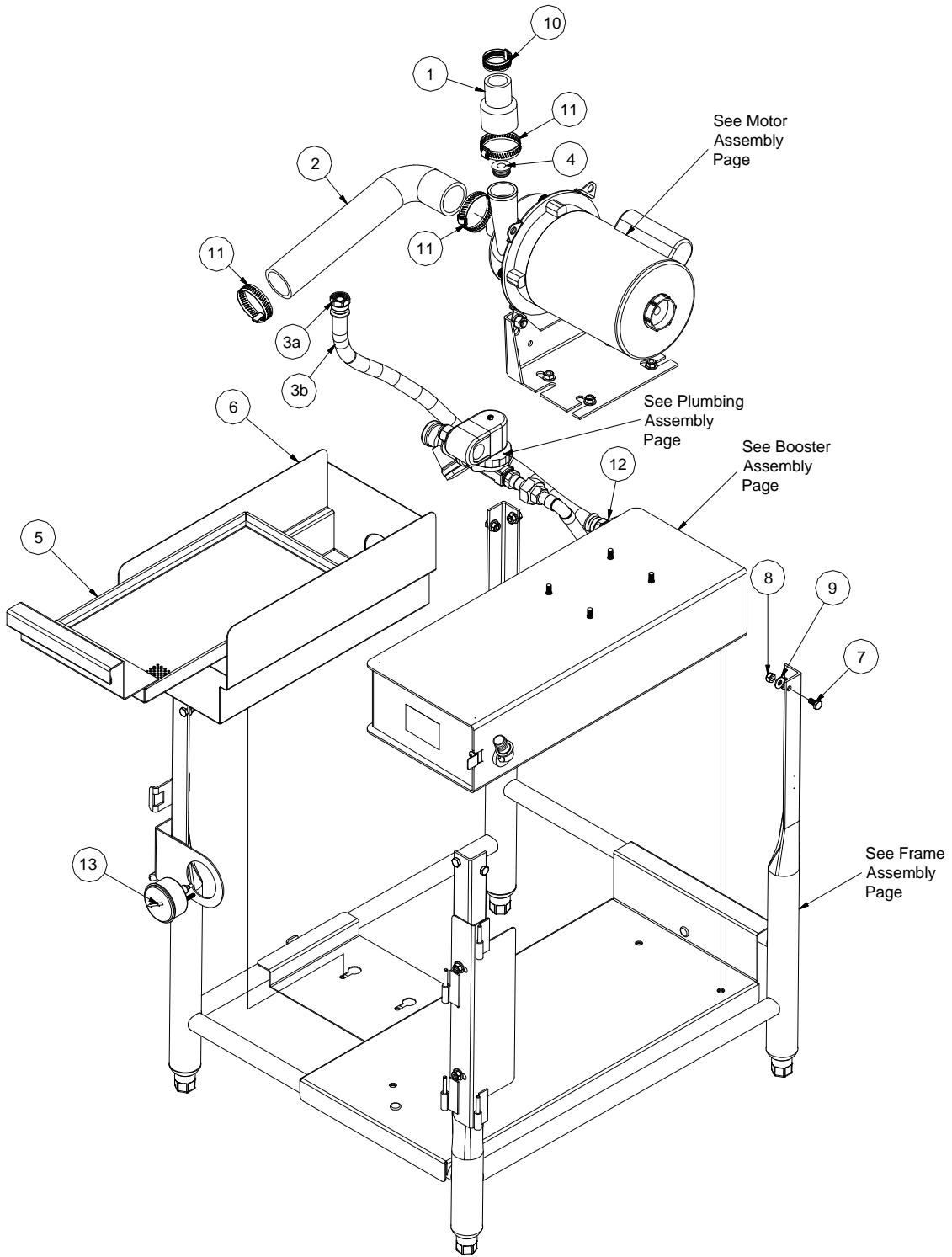
### TUB ASSEMBLY CONTINUED

ITEM	QTY	DESCRIPTION	Mfg. No.
1	1	Tub Weldment	05700-003-09-51
1a	1	Tub Weldment (Double Door)	05700-003-28-15
2	1	Lower Manifold Weldment	05700-002-45-51
3	2	Manifold Gasket	05700-111-35-03
4	1	Drain Seat Insert	05700-021-34-38
5	1	Spillway Gasket	05700-111-34-52
6	1	Spillway Weldment	05700-031-37-86
7	23	Locknut, 1/4"-20 S/S Hex with Nylon Insert	05310-374-01-00
8	1	Manifold O-Ring	05330-111-35-15
9	1	Modified Casting Wedge	09515-011-46-61
10	2	Bolt, 3/8"-16 x 1 1/4" S/S	05305-276-10-00
11	2	Washer, 3/8" Bevel-Square Iron	05311-011-35-36
12	2	Lockwasher, 3/8"	05311-276-01-00
13	2	Nut, 3/8"-16 S/S Hex	05310-276-01-00
14	1	Complete Wash Arm Assembly	05700-003-31-60
14a	1	Wash Arm Weldment w/ End Plugs	05700-003-31-61
	1	Wash Arm End Plugs	05700-003-31-59
14b	1	Wash Arm O-ring	05330-002-60-69
14c	1	Wash Arm Bearing Assembly	05700-021-35-97
15	1	Sump Strainer	05700-002-60-50
16a	1	Stand Pipe Weldment	05700-021-33-29
16b	1	Stopper, Stand Pipe	05700-121-35-54
17	1	Drain Link Assembly	05700-002-45-52
17a	1	Drain Link	05700-002-40-83
17b	1	Nut, Hex, 5/16"-18	05310-275-01-00
17c	1	Drain Link Connector	05700-002-38-10
18	1	Hair Pin, 1/8" to 1"	05315-011-60-09
19	1	Fill Tube Weldment	05700-002-45-61
20	18	Washer, 1/4"-20 I.D.	05311-174-01-00
21	3	Chemical Tube Grommet	05325-002-42-65
22	1 (2)	Pivot Plate, Left Door Complete Assembly	05700-002-45-62
22a	1	Door Pivot Plate Left Weldment	05700-002-45-63
22b	1	Door Pivot Plate Bearing	03110-002-45-09
23	1 (2)	Pivot Plate, Right Door Complete Assembly	05700-002-52-95
23a	1	Door Pivot Plate Right Weldment	05700-002-52-94
23b	1	Door Pivot Plate Bearing	03110-002-45-09
24	3	Bolt, 1/4"-20 x 1/2" Long	05305-274-02-00
25	6	Screw, 1/4"-20 x 5/8" Long	05305-274-24-00
26	1	Air Gap Weldment	05700-003-23-48
27	1	Halo Assembly	05700-003-23-49
27a	1	Halo Weldment	05700-003-16-65
27b	4	Spray Nozzle and Receptacle	04730-002-55-61
28	1	Gasket, Air Gap	05330-003-24-17
29	2	Clamp, 1" Nylon (Not Shown, located on bottom of tub.)	04730-002-41-88
30	1	Drain Solenoid Box Assembly	05700-003-09-61
30a	1	Solenoid Box Weldment	05700-003-35-88
30b	1	Drain Solenoid, 115V	04810-200-11-00
30c	4	Locknut, 10-24 with Nylon Insert	05310-373-01-00
30d	1	Decal, Warning	09905-100-75-93
30e	1	Solenoid Box Cover	05700-003-30-25

ALL NUMBERS THAT ARE IN PARENTHISES ARE FOR THE DOUBLE DOOR

# SECTION 5: PARTS SECTION

## FRAME AND MOTOR ASSEMBLY



---

**SECTION 5: PARTS SECTION**  
**FRAME AND MOTOR ASSEMBLY (CONTINUED)**

---

<b>ITEM</b>	<b>QTY</b>	<b>DESCRIPTION</b>	<b>Mfg. No.</b>
1	1	Discharge Tube Connector	05700-011-70-34
2	1	Pump Suction Hose	05700-002-40-82
3	1	Discharge Hose Assembly	05700-002-45-58
3a	2	Fitting, 1/2" Pushlock, Female, Brass	04730-011-93-99
3b	1	Hose, 1/2" x 22 1/2" Long	05700-002-45-59
4	1	Wash Restrictor	05700-002-84-69
5	1	Accumulator Strainer Weldment	05700-003-33-25
6	1	Accumulator Weldment	05700-002-51-95
7	8	Bolt, 1/4"-20 x 1/2" Long	05305-274-02-00
8	18	Locknut, 1/4"-20 S/S Hex with Nylon Insert	05310-374-01-00
9	18	Washer, 1/4"-20 S/S	05311-174-01-00
10	1	Hose Clamp, 13/16 TO 1 1/2"	04730-719-06-09
11	3	Hose Clamp, 1 1/16" to 2 1/4"	04730-719-18-00
12	1	Close Nipple, 1/2" Brass	04730-207-15-00
13	1	Gauge, Thermometer	06685-111-68-48

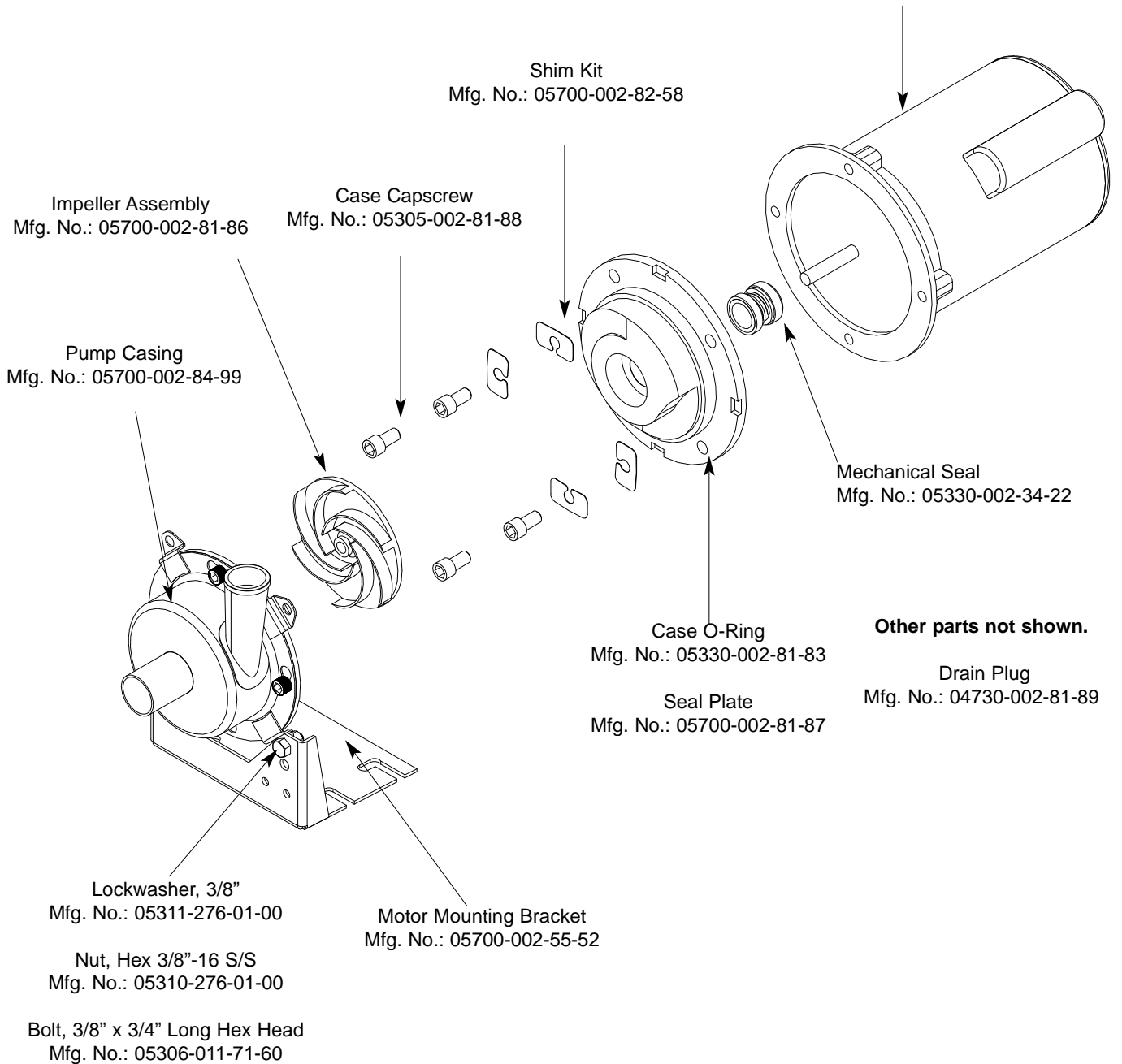
## SECTION 5: PARTS SECTION

### MOTOR & PUMP ASSEMBLY

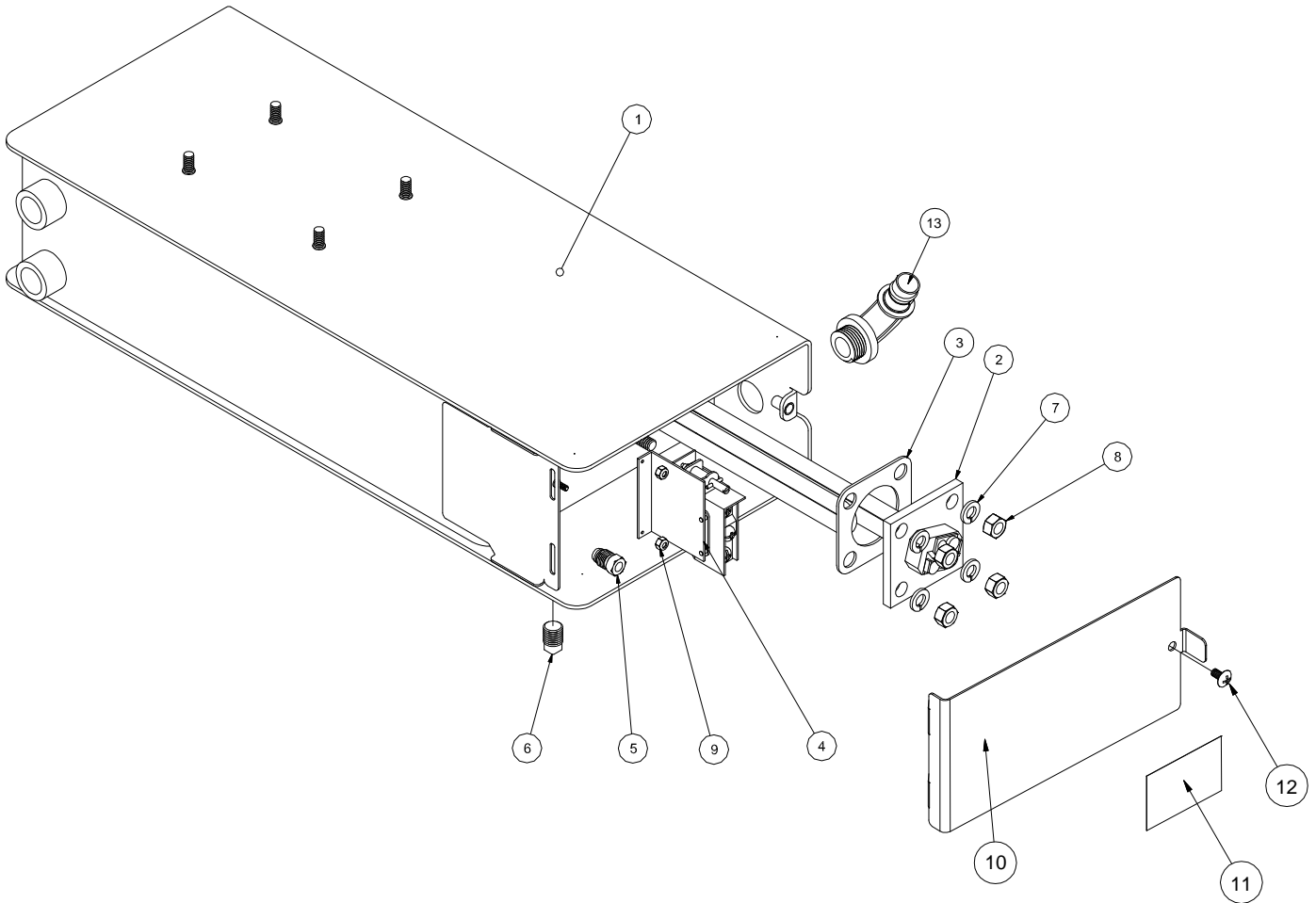
Complete Pump & Motor Assembly  
Mfg. No.: 06105-002-16-29

Pump Only Assembly  
Mfg. No.: 05700-002-79-49

Motor Only  
Mfg. No.: 06105-002-79-61

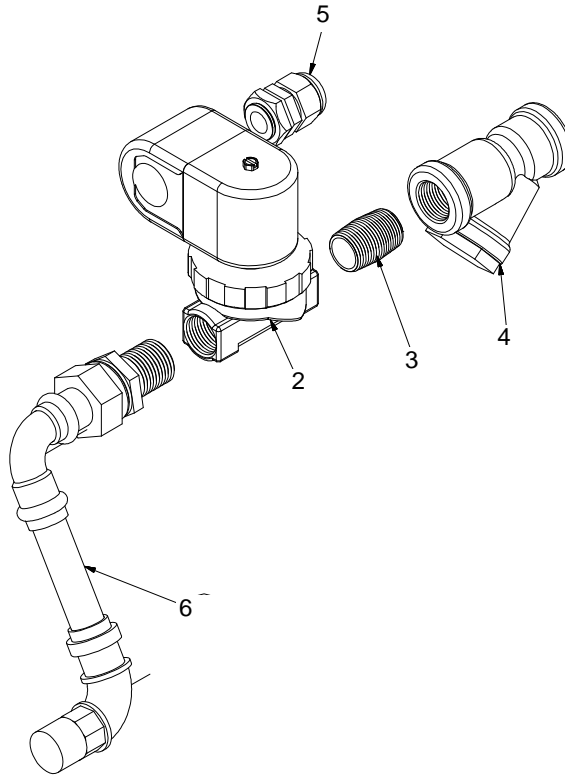


**SECTION 5: PARTS SECTION**  
**BOOSTER TANK ASSEMBLY**



ITEM	QTY	DESCRIPTION	Mfg. No.
1	1	Booster Tank Weldment	05700-002-45-56
2	1	Heater, 120V, 2000 Watts	04540-002-45-13
3	1	Heater Gasket	05330-100-01-10
4	1	Thermostat	05930-003-13-65
5	1	Fitting, Imperial Brass	05310-924-02-05
6	1	Plug, 1/4" Brass	04730-209-01-00
7	4	Lockwasher, 5/16"	05311-275-01-00
8	4	Nut, 5/16"-18 S/S Hex	05310-275-01-00
9	2	Locknut, 6-32 S/S Hex w/ Nylon Insert	05310-373-03-00
10	1	Booster Tank Cover	05700-002-39-07
11	1	Decal, Warning, Disconnect Power	09905-100-75-93
12	1	Screw, 10-32 x 3/8"	05305-173-12-00
13	1	Fitting, 1/2" NPT x 90 Deg. Elbow	05975-003-35-32
13a	1	Nut, 1/2" NPT Nylon	05975-003-35-33

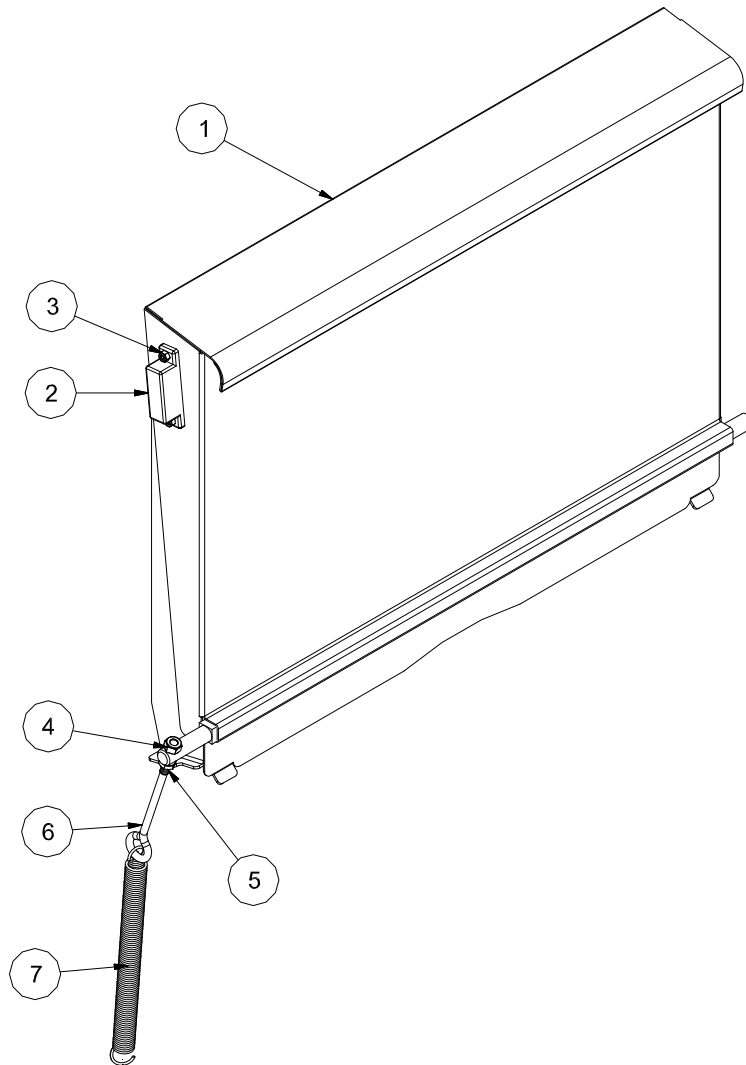
**SECTION 5: PARTS SECTION**  
**INCOMING PLUMBING ASSEMBLY**



ITEM	QTY	DESCRIPTION	Mfg. No.
1	1	Incoming Plumbing Assy.	05700-003-38-08
2	1	Y-Strainer	04730-217-01-10
3	1	Nipple, Close, 1/2" NPT, Brass	04730-207-15-00
4	1	Valve, Solenoid, 1/2" NPT, 115V	04810-100-12-18
5	1	Plumbing, incoming Union	05700-003-39-37
6	1	Fitting, Liquidtight	05975-011-49-03



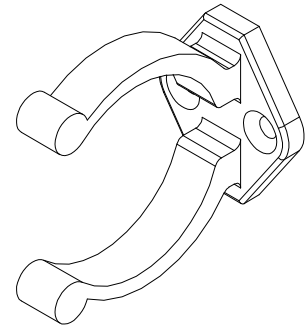
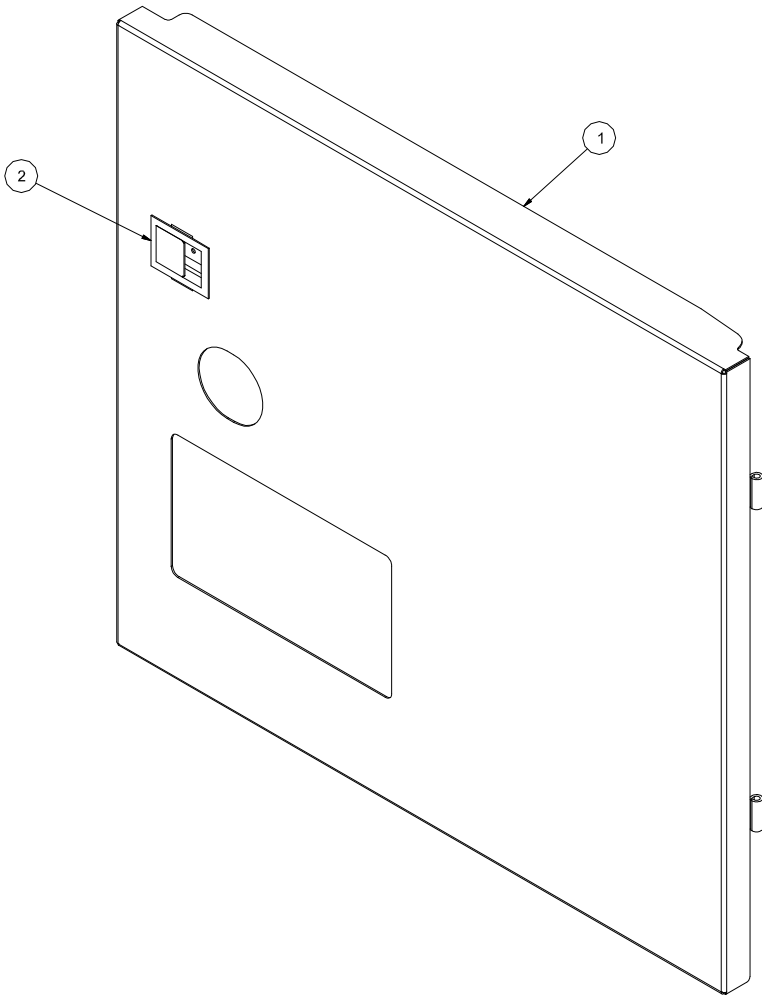
**SECTION 5: PARTS SECTION**  
**DOOR ASSEMBLY**



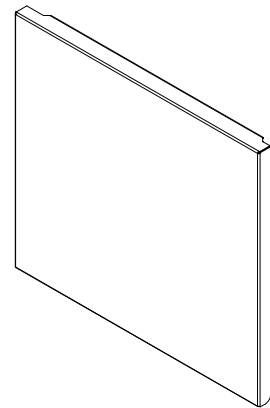
ITEM	QTY	DESCRIPTION	Mfg. No.
		Complete Door Assembly	05700-003-35-30
1	2 (2)	Door Weldment	05700-003-35-29
2	2 (2)	Magnet, Reed Switch	05930-002-68-53
3	4 (2)	Locknut, 6-32 S/S Hex with Nylon Insert	05310-373-03-00
4	2 (4)	Locknut, 1/4"-20 S/S Hex with Nylon Insert	05310-374-01-00
5	2 (2)	Nut, Hex 1/4"-20 S/S	05310-274-01-00
6	2 (2)	Bolt, 1/4"-20 Eye, S/S	05306-002-55-59
7	2 (2)	Spring, Door	05340-011-44-58

ALL NUMBERS THAT ARE IN PARENTHISES ARE FOR THE DOUBLE DOOR

**SECTION 5: PARTS SECTION**  
**FRONT PANEL ASSEMBLY**



Double Door Only  
Panel Clips  
2 per machine  
05340-003-22-95



(Double Door Only)  
Back Panel Weldment  
1 per machine  
05700-003-24-42

ITEM	QTY	DESCRIPTION
1	1	Complete Panel Assembly
2	1	Panel Weldment
3	1	Handle
4	1	Back panel weldment
	2	Panel clips

Mfg. No.
05700-003-09-53
05700-003-09-54
05340-001-96-30
05700-002-24-42
05700-033-22-95

---

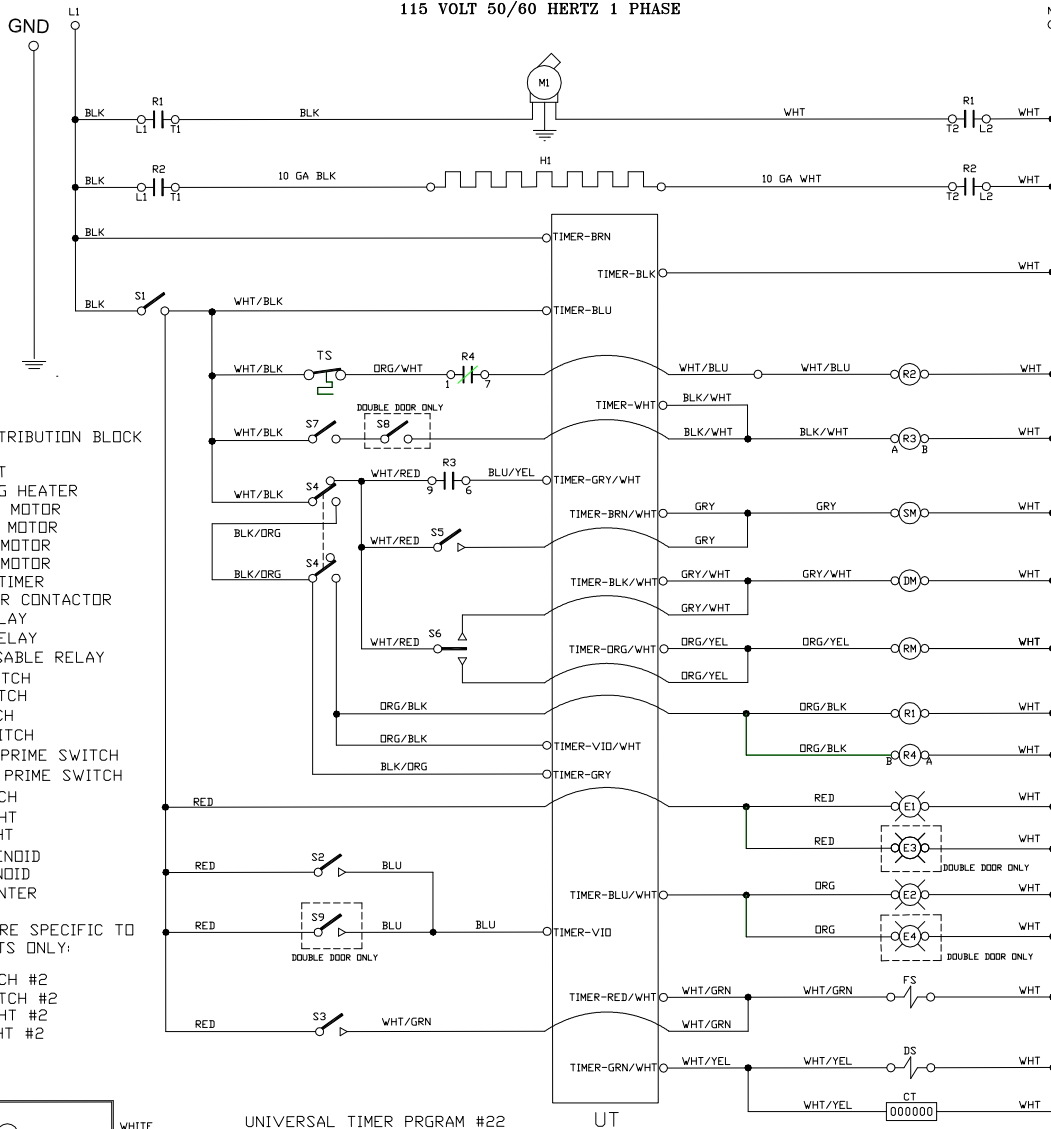
# **SECTION 6: ELECTRICAL SCHEMATICS**

# SECTION 6: ELECTRICAL SCHEMATICS

DELTA 5 115V, 50/60 HERTZ, SINGLE PHASE

## DELTA 5 ELECTRICAL DIAGRAM

115 VOLT 50/60 HERTZ 1 PHASE

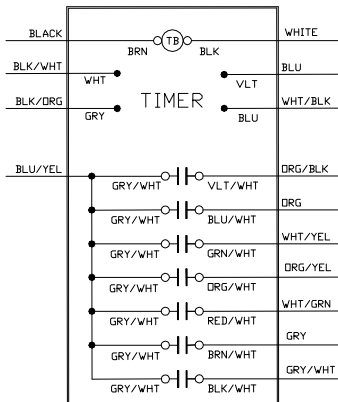


### LEGEND

- L1 N POWER DISTRIBUTION BLOCK
- GND GROUND
- TS THERMOSTAT
- H1 MAINTAINING HEATER
- M1 WASH PUMP MOTOR
- DM DETERGENT MOTOR
- RM RINSE AID MOTOR
- SM SANITIZER MOTOR
- UT UNIVERSAL TIMER
- R1 WASH MOTOR CONTACTOR
- R2 HEATER RELAY
- R3 CONTROL RELAY
- R4 HEATER DISABLE RELAY
- S1 POWER SWITCH
- S2 START SWITCH
- S3 FILL SWITCH
- S4 DELIME SWITCH
- S5 SANITIZER PRIME SWITCH
- S6 DET/RINSE PRIME SWITCH
- S7 DOOR SWITCH
- E1 POWER LIGHT
- E2 CYCLE LIGHT
- DS DRAIN SOLENOID
- FS FILL SOLENOID
- CT CYCLE COUNTER

THE FOLLOWING ARE SPECIFIC TO DOUBLE DOOR UNITS ONLY:

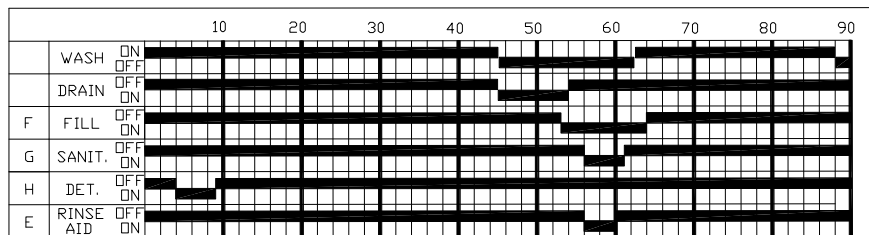
- S8 DOOR SWITCH #2
- S9 START SWITCH #2
- E3 POWER LIGHT #2
- E4 CYCLE LIGHT #2



UNIVERSAL TIMER PROGRAM #2  
DIP SWITCH SETTINGS

DN	1	2	3	4	5	6	7	8
↑	□	□	□	□	□	□	□	□
	X	X	X				X	

### TIMING CHART



---

**SECTION 7:  
JACKSON MAINTENANCE &  
REPAIR CENTERS**

## SECTION 7: JACKSON MAINTENANCE & REPAIR CENTERS

### ALABAMA TO FLORIDA

#### ALABAMA

**JONES-McLEOD APPLIANCE SVC**  
1616 7TH AVE. NORTH  
BIRMINGHAM, AL 35203  
(205) 251-0159  
800-821-1150  
FAX: (205) 322-1440  
service@jones-mcleod.com

**JONES-McLEOD APPLIANCE SVC**  
854 LAKESIDE DRIVE  
MOBILE, AL 36693  
(251) 666-7278  
800-237-9859  
FAX: (251) 661-0223

#### ALASKA

**RESTAURANT APPLIANCE SERVICE**  
7219 ROOSEVELT WAY NE  
SEATTLE, WA 98115  
(206) 524-8200  
800-433-9390  
FAX: (206) 525-2890  
info@restappl.com

#### ARIZONA

**AUTHORIZED COMMERCIAL FOOD EQMT. SVC**  
4832 SOUTH 35TH STREET  
PHOENIX, AZ 85040  
(602) 234-2443  
800-824-8875  
FAX: (602) 232-5862  
acsboss@aol.com

**GCS SERVICE INC.**  
PHOENIX, AZ  
(602) 474-4510  
800-510-3497  
FAX: (602) 470-4511

#### ARKANSAS

**BROMLEY PARTS & SVC**  
10TH AND RINGO  
P.O. BOX 1688  
LITTLE ROCK, AR 72202  
(501) 374-0281  
800-482-9269  
FAX: (501) 374-8352  
service@bromleyparts.com  
parts@bromleyparts.com

**GCS SERVICE, INC.**  
3717 CHERRY ROAD  
MEMPHIS, TN 38118  
(901) 366-4587  
800-262-9155  
FAX: (901) 366-4588

#### CALIFORNIA

**BARKERS FOOD MACHINERY SERVICES**  
5367 SECOND STREET  
IRVINDALE, CA 91706  
(626) 960-9390  
800-258-6999  
FAX: (626) 337-4541  
service@barkers.com

**GCS SERVICE INC.**  
LOS ANGELES, CA  
(213) 683-2090  
800-327-1433  
FAX: (213) 683-2099

**GCS SERVICE INC.**  
SANTA ANA, CA  
(714) 542-1798  
800-540-0719  
FAX: (714) 542-4787

**GCS SERVICE INC.**  
S. SAN FRANCISCO, CA  
(650) 635-0720  
800-969-4427  
FAX: (650) 871-4019

**COMMERCIAL APPLIANCE SERVICE, INC.**  
6507 PACIFIC AVENUE, SUITE 102  
STOCKTON, CA 95207  
(916) 567-0203  
(800) 464-2222  
(916) 567-0266 FAX

**GCS SERVICE INC.**  
SAN DIEGO, CA  
(858) 549-8411  
800-422-7278  
FAX: (858) 549-2323

**INDUSTRIAL ELECTRIC SVC.**  
5662 ENGINEER DRIVE  
HUNTINGTON BEACH, CA 92649  
(714) 379-7100  
(800-457-3783  
FAX: (714) 379-7109

**P & D APPLIANCE SVC**  
100 SOUTH LINDEN AVE.  
S. SAN FRANCISCO, CA 94080  
(650) 635-1900  
800-424-1414  
FAX: (650) 635-1919  
pndappl@aol.com

#### P & D APPLIANCE

4220-C ROSEVILLE ROAD  
NORTH HIGHLANDS, CA 95660  
(916) 974-2772  
800-824-7219  
FAX:(916) 974-2774

**COMMERCIAL APPLIANCE SERVICE, INC.**  
281 LATHROP WAY, #100  
SACRAMENTO, CA 95815  
(916) 567-0203  
(800) 464-2222  
(916) 567-0324 FAX

#### COLORADO

**GCS SERVICE INC.**  
SHERIDAN, CO  
(303) 371-9054  
800-972-5314  
FAX: (303) 371-4754

**HAWKINS COMMERCIAL APPLIANCE SERVICE**  
3000 S. WYANDOT ST.  
ENGLEWOOD, CO 80110  
(303) 781-5548  
(800) 624-2117  
FAX: (303) 761-5561  
johns@hawkinscommercial.com

**METRO APPLIANCE SERVICE**  
1640 S BROADWAY  
DENVER, CO 80210  
(303) 778-1126  
800-525-3532  
FAX: (303) 778-0268  
metroappls@aol.com

#### CONNECTICUT

**GCS SERVICE INC.**  
HARTFORD, CT  
(860) 549-5575  
800-423-1562  
FAX: (860) 527-6355

**SUPERIOR KITCHEN SERVICE INC.**  
22 THOMPSON ROAD  
WINDSOR, CT 06088  
(888) 590-1899  
(888) 590-1996 FAX

#### DELAWARE

**FOOD SERVICE EQMT.**  
2101 PARKWAY SOUTH  
BROOMALL, PA 19008  
(610) 356-6900  
FAX: (610) 356-2038  
dancerule@aol.com

**GCS SERVICE INC.**  
PHILADELPHIA, PA  
(215)925-6217  
800-441-9115  
FAX: (215) 925-6208

**ELMER SCHULTZ SERVICE**  
36 BELMONT AVE.  
WILLMINGTON, DE 19804  
(302) 655-8900  
800-225-0599  
FAX: (302) 656-3673  
elmer2@erols.com

**EMR SERVICE DIVISION**  
106 WILLIAMSPORT CIRCLE  
SALISBURY, MD 21804  
(410) 543-8197  
FAX: (410) 548-4038

#### FLORIDA

**COMMERCIAL APPLIANCE SERVICE**  
8416 LAUREL FAIR CIRCLE  
BLDG 6, SUITE 114  
TAMPA, FL 33610  
(813) 663-0313  
800-282-4718  
FAX: (813) 663-0212  
commercialappliance@worldnet.att.net

**GCS SERVICE INC**  
MIAMI, FL  
(305) 621-6666  
800-766-8966  
FAX: (305) 621-6656

**GCS SERVICE INC**  
ORLANDO, FL  
(407) 841-2551  
800-338-7322  
FAX: (407) 423-8425

**NASS PARTS AND SERVICE, INC.**  
1144 BELVILLE ROAD, UNIT 359  
DAYTONA BEACH, FL 32114  
(386) 226-2642  
(800) 432-2795  
(386) 736-7695 FAX

**GCS SERVICE INC**  
TAMPA, FL  
(813) 626-6044  
800-282-3008  
FAX: (813) 621-1174

## SECTION 7: JACKSON MAINTENANCE & REPAIR CENTERS

### FLORIDA TO MARYLAND

#### JONES-McLEOD APPLIANCE SVC

854 LAKESIDE DRIVE  
MOBILE, AL 36693  
(251) 666-7278  
800-237-9859  
FAX: (251) 661-0223  
service@jones-mcleod.com

#### NASS PARTS AND SERVICE, INC.

1108 SOUTH WOODS AVENUE  
ORLANDO, FL 32805  
(407) 425-2681  
(800) 432-2795  
(407) 425-3463 FAX

#### NASS PARTS AND SERVICE, INC.

1376 HEIDE AVENUE  
PALM BAY, FL 32907  
(321) 952-2012  
(800) 432-2795  
(321) 953-0266 FAX

#### GEORGIA

#### GCS SERVICE INC

ATLANTA, GA  
(770) 452-7322  
800-334-3599  
FAX: (770) 452-7473

#### HERITAGE FOODSERVICE GROUP OF ATLANTA

2100 NORCROSS PKWY. SUITE  
130  
NORCROSS, GA 30071  
(770) 368-1465  
866-388-9837  
FAX: (866) 388-9838

#### WHALEY FOODSERVICE REPAIRS

109-A OWENS INDUSTRIAL  
DRIVE  
SAVANNAH, GA 31405  
(912) 447-0827  
888-765-0036  
FAX: (912) 447-0826

#### PIERCE PARTS & SERVICE

2422 ALLEN ROAD  
MACON, GA 31216  
(478) 781-6003  
800-368-2512  
FAX: (478) 781-7186

#### HAWAII

#### FOOD EQMT. PARTS & SERVICE CO.

300 PUUHALE RD.  
HONOLULU, HI 96819  
(808) 847-4871  
FAX: (808) 842-1560  
fepsco@hula.net

#### IDAHO

#### RESTAURANT APPLIANCE SVC.

7219 ROOSEVELT WAY NE  
SEATTLE, WA 98115  
(206) 524-8200  
800-433-9390  
FAX: (206) 525-2890  
info@restappl.com

#### RON'S SERVICE

703 E 44TH STREET STE 10  
GARDEN CITY, ID 83714  
(208) 375-4073  
FAX: (208) 375-4402

#### ILLINOIS

#### CONES REPAIR SVC.

2408 40TH AVE.  
MOLINE, IL 61265  
(309) 797-5323  
800-716-7070  
FAX: (309) 797-3631  
jackb@cones.com

#### EICHENAUER SERVICES INC.

130 S OAKLAND ST.  
DECATUR, IL 62522  
(217) 429-4229  
800-252-5892  
FAX: (217) 429-0226  
esi@esiquality.com

#### GCS SERVICE INC.

ELMHURST, IL  
(630) 941-7800  
800-942-9689  
FAX: (630) 941-6048

#### GCS SERVICE INC.

ST. LOUIS, MO  
(314) 683-7444  
800-284-4427  
FAX: (314) 638-0135

#### GENERAL PARTS, INC.

248 JAMES STREET  
BENSONVILLE, IL 60106  
(630) 595-3300  
(800) 880-3604  
FAX: (630) 595-0006

#### INDIANA

#### GCS SERVICE INC.

INDIANAPOLIS, IN  
(317) 545-9655  
800-727-8710  
FAX: (317) 549-6286

B622 LA PAS TRAIL  
INDIANAPOLIS, IN 46268

(317) 290-8060  
(800) 410-9794  
(317) 290-8085 FAX

#### IOWA

#### GOODWIN TUCKER GROUP

#### 2900 DELAWARE AVENUE

DES MOINES, IA 50317  
(515) 262-9308  
800-372-6066  
FAX: (515) 262-2936  
parts@goodwintucker.com

#### CONES REPAIR SVC.

1056 27TH AVENUE SW  
CEDAR RAPIDS, IA 52404  
(319) 365-3325  
800-747-3326  
FAX: (319) 365-0885

#### KANSAS

#### GCS SERVICE INC.

KANSAS CITY, MO  
(816) 920-5999  
800-229-6477  
FAX: (816) 920-7387

#### GENERAL PARTS, INC.

1101 E. 13TH STREET  
KANSAS CITY, MO 64106  
(816) 421-5400  
(800) 279-9967  
(816) 421-1270 FAX

#### KENTUCKY

#### CERTIFIED SERVICE CENTER

127 DISHMAN LANE  
BOWLING GREEN, KY 42101  
(270) 783-0012  
(877) 907-0012  
FAX: (270) 783-0058

#### CERTIFIED SERVICE CENTER

#### RAMCO BUSINESS PARK

4283 PRODUCE ROAD  
LOUISVILLE, KY 40218  
(502) 964-7007  
800-637-6350  
FAX: (502) 964-7202  
cwalker@certifiedsc.com  
droenigk@certifiedsc.com

#### CERTIFIED SERVICE CENTER

1051 GOODWIN DRIVE  
LEXINGTON, KY 40505  
(606) 254-8854  
800-432-9269  
FAX: (606) 231-7781  
jatkins@certifiedsc.com

#### GCS SERVICE INC.

LOUISVILLE, KY  
(502) 367-1788  
800-752-6160  
FAX: (502) 367-0400

#### GCS SERVICE INC.

LEXINGTON, KY  
(606) 255-0746  
800-432-9260  
FAX: (606) 255-0748

#### LOUISIANA

#### HERITAGE SERVICE GROUP

1532 RIVER OAKS WEST  
NEW ORLEANS, LA 70123  
(504) 734-8864  
(800) 499-2351  
(504) 733-2559 FAX

#### MAINE

#### GCS SERVICE INC.

CHELSEA, MA  
(617) 889-9393  
800-225-1155  
FAX: (617) 889-1222

#### MASSACHUSETTS RESTAU- RANT SUPPLY

34 SOUTH STREET  
SOMERVILLE, MA 02143  
(617) 868-1930  
800-338-6737  
FAX: (617) 686-5331

#### PINE TREE FOOD EQUIPMENT

175 LEWISTON ROAD  
GRAY, ME 04039  
(207) 657-6400  
(800) 540-5427  
(207) 657-5464 FAX

#### MARYLAND

#### EMR SERVICE DIVISION

700 EAST 25TH STREET  
BALTIMORE, MD 21218  
(410) 467-8080  
800-879-4994  
FAX: (410) 467-4191  
baltparts@emrco.com

## SECTION 7: JACKSON MAINTENANCE & REPAIR CENTERS

### MARYLAND TO NEW YORK

#### EMR SERVICE DIVISION

106 WILLIAMSPORT CIRCLE  
SALISBURY, MD 21804  
(410) 543-8197  
888-687-8080  
FAX: (410) 548-4038  
baltparts@emrco.com

#### EMR SERVICE DIVISION

5316 Sunnyside Ave.  
Beltsville, MD 20715  
(301) 931-7000  
800-348-2365  
FAX: (301) 931-3060  
baltparts@emrco.com

#### GCS SERVICE INC.

SILVER SPRING, MD  
(301) 585-7550 (DC)  
(410) 792-0338 (BALT)  
(800) 638-7278  
FAX: (301) 495-4410

#### MASSACHUSETTS

##### ACE SERVICE CO.

95 HAMPTON AVE.  
NEEDHAM, MA 02494  
(781) 449-4220  
800-225-4510 MA & NH  
FAX: (781) 444-4789  
taceservice@aol.com

##### MASSACHUSETTS RESTAURANT SUPPLY

34 SOUTH STREET  
SOMERVILLE, MA 02143  
(617) 868-1930  
800-338-6737  
FAX: (617) 868-5331

##### GCS SERVICE INC.

CHELSEA, MA  
(617) 889-9393  
800-225-1155  
FAX: (617) 889-1222

##### GCS SERVICE INC.

HARTFORD, CT  
(860) 549-5575  
800-723-1562  
FAX: (860) 527-6355

##### SUPERIOR KITCHEN SERVICE INC.

399 FERRY STREET  
EVERETT, MA 02149  
(617) 389-1899  
(888) 590-1899  
(617) 389-1996 FAX

#### MICHIGAN

##### GCS SERVICE INC.

LIVONIA, MI  
(248) 426-9500  
800-772-2936  
FAX: (248) 426-7555

##### JACKSON SERVICE COMPANY

3980 BENSTEIN RD.  
COMMERCE TWSHP, MI 48382  
(248) 363-4159  
800-332-4053  
FAX: (248) 363-5448

##### GCS SERVICE INC.

GRAND RAPIDS, MI  
(616) 241-0200  
800-823-4866  
FAX: (616) 241-0541

#### MINNESOTA

##### GCS SERVICE INC.

MINNEAPOLIS, MN  
(612) 546-4221  
800-345-4221  
FAX: (612) 546-4286

##### GENERAL PARTS, INC.

11311 HAMPSHIRE AVENUE  
SOUTH  
BLOOMINGTON, MN 55438-2456  
(952) 944-5800  
(800) 279-9980  
(800) 279-9980 FAX

#### MISSISSIPPI

##### GCS SERVICE INC.

JACKSON, MS  
(601) 956-7800  
800-274-5954  
FAX: (601) 956-1200

##### GCS SERVICE INC.

MEMPHIS, TN  
(901) 366-4587  
800-262-9155  
FAX: (901) 366-4588

#### MISSOURI

##### GCS SERVICE INC.

KANSAS CITY, MO  
(816) 920-5999  
800-229-6477  
FAX: (816) 920-7387

#### GCS SERVICE INC.

ST. LOUIS, MO  
(314) 638-7444  
800-284-4427  
FAX: (314) 638-0135

##### KAEMMERLIN PARTS & SVC.

2728 LOCUST STREET  
ST. LOUIS, MO 63103  
(314) 535-2222  
FAX: (314) 535-6205  
petek@kps.stl.com

##### GENERAL PARTS, INC.

1101 EAST 13TH STREET  
KANSAS CITY, MO 64106  
(816) 421-5400  
(800) 279-9967  
(816) 421-1270 FAX

#### MONTANA

##### RESTAURANT APPLIANCE SVC.

7219 ROOSEVELT WAY NE  
SEATTLE, WA 98115  
(206) 524-8200  
800-433-9390  
FAX: (206) 525-2890  
info@restappl.com

#### NEBRASKA

##### GOODWIN - TUCKER GROUP

7535 D STREET  
OMAHA, NE 68124  
(402) 397-2880  
800-228-0342  
FAX: (402) 397-2881  
askme@goodwintucker.com

#### NEVADA

##### HI TECH COMMERCIAL SERVICE

1840 STELLA LAKE STREET  
NORTH LAS VEGAS, NV 89106  
(702) 649-4616  
(877) 924-4832  
FAX: (702) 649-4607  
larry@hitechnv.com

5454 LOUIE LANE

RENO, NV 89511  
(775) 852-9696  
FAX: (775) 852-5104

##### GCS SERVICE INC.

LAS VEGAS, NV  
(702) 450-3495  
800-500-9060  
FAX: (702) 450-3491

#### NEW HAMPSHIRE

##### GCS SERVICE INC.

CHELSEA, MA  
(617)889-9393  
800-225-1155  
FAX: (617) 889-1222

##### ACE SERVICE CO.

95 HAMPTON AVE.  
NEEDHAM, MA 02494  
(781) 449-4220  
800-225-4510 MA & NH  
FAX: (781) 444-4789  
taceservice@aol.com

##### MASSACHUSETTS RESTAURANT SUPPLY

34 SOUTH STREET  
SOMERVILLE, MA 02143  
(617) 868-1930  
800-338-6737  
FAX: (617) 868-5331

#### NEW JERSEY

##### JAY HILL REPAIRS

90 CLINTON RD.  
FAIRFIELD, NJ 07004  
(973) 575-9145  
800-836-0643  
FAX: (973) 575-5890  
jhrepair@aol.com

##### GCS SERVICE INC.

EAST RUTHERFORD, NJ  
(973) 614-0003  
800-399-8294  
FAX: (973) 614-0230

##### GCS SERVICE INC.

PHILADELPHIA, PA  
(215) 925-6217  
800-441-9115  
FAX: (215) 925-6208

##### ELMER SCHULTZ SERVICES

201 W. WASHINGTON AVE.  
PLEASANTVILLE, NJ 08232  
(609) 641-0317  
800-378-1641  
FAX:(609) 641-8703  
elmer2@erols.com

#### NEW YORK

##### APPLIANCE INSTALLATION AND SERVICE CORP.

1336 MAIN STREET  
BUFFALO, NY 14209  
(716) 884-7425  
800-722-1252  
FAX: (716) 884-0410  
ais@worldnet.att.net



## SECTION 7: JACKSON MAINTENANCE & REPAIR CENTER

### NEW YORK TO PENNSYLVANIA

#### **B.E.S.T. INC.**

3003 GENESEE STREET  
BUFFALO, NY 14225  
(716) 893-6464  
800-338-5011  
FAX: (716) 893-6466  
bestserv@aol.com

#### **DUFFY'S EQUIPMENT SVC.**

3138 ONEIDA STREET  
SAUQUOIT, NY 13456  
(315) 737-9401  
800-443-8339  
FAX: (315) 737-7132  
duffyequip@aol.com

#### **NORTHERN PARTS & SVC.**

21 NORTHERN AVENUE  
PLATTSBURGH, NY 12903  
(518) 563-3200  
800-634-5005  
FAX: (800) 782-5424  
info@northernparts.com

#### **GCS SERVICE INC.**

BROOKLYN, NY  
(718) 486-5220  
800-969-4271  
FAX: (718) 486-6772

#### **ALL SERVICE KITCHEN**

EQUIPMENT REPAIR  
10 CHARLES ST.  
NEW HYDE PARK, NY 11040  
(516) 378-1176  
FAX: (516) 378-1735

#### **ALL ISLAND REPAIRS**

40-9 BURT DRIVE  
DEER PARK, NY 11729  
(631) 242-5588  
FAX: (631) 242-6102

#### **NORTH CAROLINA**

#### **AUTHORIZED APPLIANCE**

SERVICECENTER  
1020 TUCKASEEGEE RD.  
CHARLOTTE, NC 28208  
(704) 377-4501  
(800) 532-6127  
FAX:(704) 377-4504

#### **AUTHORIZED APPLIANCE**

SERVICECENTER  
800 N. PERSON ST.  
RALEIGH, NC 27604  
(919) 834-3476  
FAX:(919) 834-3477

#### **AUTHORIZED APPLIANCE SERVICECENTER**

904 S. MARSHALL ST.  
WINSTON-SALEM, NC 27403  
(336) 725-5396  
FAX:(336) 721-1289

#### **AUTHORIZED APPLIANCE SERVICECENTER**

104 HINTON AVE.  
WILMINGTON, NC 28403  
(910) 313-1250  
FAX:(910) 313-6130

#### **WHALEY FOODSERVICE**

8334-K ARROWRIDGE BLVD  
CHARLOTTE, NC 28273  
(704) 529-6242  
FAX: (704) 529-1558  
info@whaleyfoodservice.com

#### **WHALEY FOODSERVICE REPAIRS**

203-D CREEK RIDGE RD.  
GREENSBORO, NC 27406  
(336) 333-2333  
FAX: (336) 333-2533  
info@whaleyfoodservice.com

#### **WHALEY FOODSERVICE REPAIRS**

335-105 SHERWEE DRIVE  
RALEIGH, NC 27603  
(919) 779-2266  
FAX: (919) 779-2224  
info@whaleyfoodservice.com

#### **WHALEY FOODSERVICE REPAIRS**

6418-101 AMSTERDAM WAY  
WILMINGTON, NC 28405  
(910) 791-0000  
FAX: (910) 791-6662  
info@whaleyfoodservice.com

#### **NORTH DAKOTA**

#### **GCS SERVICE INC.**

MINNEAPOLIS, MN  
(612) 546-4221  
800-345-4221  
FAX: (612) 546-4286

#### **GENERAL PARTS, INC.**

10 SOUTH 18TH STREET  
FARGO, ND 58103  
(701) 235-4161  
(800) 279-9987  
(701) 235-0539 FAX

#### **OHIO**

#### **CERTIFIED SERVICE CENTER**

890 REDNA TERRACE  
CINCINNATI, OH 45215  
(513) 772-6600  
800-543-2060  
FAX: (513) 612-6600  
sbarasch@certifiedsc.com

#### **CERTIFIED SERVICE CENTER**

171J-K NORTH HAMILTON RD.  
COLUMBUS, OH 43213  
(614) 751-3769  
(866) 862-1252  
FAX: (614) 751-5792  
jackson@certifiedsc.com

#### **CERTIFIED SERVICE CENTER**

6025 N. DIXIE DRIVE  
DAYTON, OH 45414  
(937) 898-4040  
(800) 257-2611  
FAX: (937) 898-4177  
dharvey@certifiedsc.com

#### **COMMERCIAL PARTS & SVC. OF COLUMBUS**

5033 TRANSAMERICA DRIVE  
COLUMBUS, OH 43228  
(614) 221-0057  
800-837-8327  
FAX: (614) 221-3622

#### **GCS SERVICE INC.**

COLUMBUS, OH  
(614) 476-3225  
800-282-5406  
FAX: (614) 476-1196

#### **ELECTRICAL APPLIANCE REPAIR SVC.**

5805 VALLEY BELT ROAD  
CLEVELAND, OH 44131  
(216) 459-8700  
800-621-8259  
FAX: (216) 459-8707  
tomr@electapprep.com

#### **OKLAHOMA**

#### **HAGAR RESTAURANT EQMT.**

1229 W MAIN STREET  
OKLAHOMA CITY, OK 73106  
(405) 235-2184  
800-445-1791  
FAX: (405) 236-5592

#### **OREGON**

#### **RON'S SERVICE**

16364 SW 72ND AVE  
PORTLAND, OR 97224  
(503) 624-0890  
800-851-4118  
FAX: (503) 684-6107  
robinsont@ronsservice.com

#### **PENNSYLVANIA**

#### **A.I.S. COMMERCIAL PARTS & SERVICE**

1816 WEST 26TH STREET  
ERIE, PA 16508  
(814) 456-3732  
800-332-3732  
FAX: (814) 452-4843  
aiserie@aol.com

#### **ELMER SCHULTZ SVC.**

540 NORTH 3RD STREET  
PHILADELPHIA, PA 19123  
(215) 627-5400  
FAX: (215) 627-5408  
elmer2@erols.com

#### **GCS SERVICE INC.**

PHILADELPHIA, PA  
(215) 925-6217  
800-441-9115  
FAX: (215) 925-6208

#### **GCS SERVICE INC.**

HARRISBURG, PA  
(717) 564-3282  
800-367-3225  
FAX: (717) 564-9286

#### **GCS SERVICE INC.**

PITTSBURGH, PA  
(412) 787-1970  
800-738-1221  
FAX: (412) 787-5005

#### **K & D PARTS AND SERVICE CO.**

1833-41 N CAMERON STREET  
HARRISBURG, PA 17103  
(717) 236-9039  
800-932-0503  
FAX: (717) 238-4367  
kdparts-service@paonline.com

#### **CLARK SERVICE & PARTS**

306 AIRPORT DRIVE  
BOX 10  
SMOKETOWN, PA 17576  
(717) 392-5590  
(717) 392-5735

## SECTION 7: JACKSON MAINTENANCE & REPAIR CENTERS

### RHODE ISLAND TO WISCONSIN

#### RHODE ISLAND

**GCS SERVICE INC.**  
EAST PROVIDENCE, RI  
(401) 434-6803  
800-462-6012  
FAX: (401) 438-9400

#### SUPERIOR KITCHEN SERVICE INC.

669 ELMWOOD AVENUE  
PROVIDENCE, RI 02907  
(888) 590-1899  
(401) 781-1996 FAX

#### SOUTH CAROLINA

#### AUTHORIZED APPLIANCE SERVICECENTER

1811 TAYLOR ST.  
COLUMBIA, SC 29202  
(803) 254-8414  
FAX: (803) 254-5146

#### AUTHORIZED APPLIANCE SERVICECENTER

2249 AUGUSTA RD.  
GREENVILLE, SC 29605  
(864) 235-9616  
FAX: (864) 235-9623

#### WHALEY FOODSERVICE REPAIRS

1 26&US1  
P.O. BOX 4023  
WEST COLUMBIA, SC 29170  
(803) 791-4420  
800-877-2662  
FAX: (803) 794-4630  
info@whaleyfoodservice.com

#### WHALEY FOODSERVICE REPAIRS

748 CONGAREE ROAD  
GREENVILLE, SC 29607  
(864) 234-7011  
800-494-2539  
FAX: (864) 234-6662  
info@whaleyfoodservice.com

#### WHALEY FOODSERVICE REPAIRS

1406-C COMMERCE PL.  
MYRTLE BEACH, SC 29577  
(843) 626-1866  
FAX: (843) 626-2632  
info@whaleyfoodservice.com

#### WHALEY FOODSERVICE REPAIRS

4740-A FRANCHISE STREET  
N. CHARLESTON, SC 29418  
(843) 760-2110  
FAX: (843) 760-2255  
info@whaleyfoodservice.com

#### SOUTH DAKOTA

#### GCS SERVICE INC.

MINNEAPOLIS, MN  
(612) 546-4221  
800-345-4221  
FAX: (612) 546-4286

#### GENERAL PARTS, INC.

10 SOUTH 18TH STREET  
FARGO, ND 58103  
(701) 235-4161  
(800) 279-9987  
(701) 235-0539 FAX

#### TENNESSEE

#### GCS SERVICE INC.

MEMPHIS, TN  
(901) 366-4587  
800-262-9155  
FAX: (901) 366-4588

#### GCS SERVICE INC.

NASHVILLE, TN  
(615) 244-8050  
800-831-7174  
FAX: (615) 244-8885

#### TEXAS

#### ARMSTRONG REPAIR CENTER

5110 GLENMOUNT DRIVE  
HOUSTON, TX 77081  
(713) 666-7100  
800-392-5325  
FAX: (713) 661-0520  
gm@armstrongrepair.com

#### COMMERCIAL KITCHEN REPAIR CO.

1377 N BRAZOS  
P.O. BOX 831128  
SAN ANTONIO, TX 78207  
(210) 735-2811  
800-292-2120  
FAX: (210) 735-7421  
brock@commercialkitchen.com

#### GCS SERVICE INC.

DALLAS, TX  
(972) 484-2954  
800-442-5026  
FAX: (972) 484-2531

#### GCS SERVICE INC.

HOUSTON, TX  
(713)785-9187  
800-868-6957  
FAX: (713) 785-3979

#### GCS/STOVE PARTS

2120 SOLANA STREET  
FORT WORTH, TX 76117  
(817) 831-0381  
800-433-1804  
FAX: (817) 834-7754  
bud@stoveparts.com

#### UTAH

#### LA MONICA'S RESTAURANT EQMT. SVC.

6182 SOUTH STRATLER AVENUE  
MURRAY, UT 84107  
(801) 263-3221  
800-527-2561  
FAX: (801) 263-3229  
lamonica81@aol.com

#### VERMONT

#### NORTHERN PARTS & SVC.

4874 S. CATHERINE STREET  
PLATTSBURGH, NY 12901  
(518) 563-3200  
800-634-5005  
FAX: (800) 782-5424  
info@northernparts.com

#### GCS SERVICE INC.

CHELSEA, MA  
(617)889-9393  
800-225-1155  
FAX: (617) 889-1222

#### VIRGINIA

#### DAUBERS, INC.

7645 DYNATECH COURT  
SPINGFIELD, VA 22153  
(703) 866-3600  
800-554-7788  
FAX: (703) 866-4071  
daubers@aol.com

#### GCS SERVICE INC.

SILVER SPRING, MD  
(301) 585-7550(DC)  
(410) 792-0388(BALT)  
800-638-7278  
FAX: (301)495-4410

#### GCS SERVICE INC.

RICHMOND, VA  
(804) 672-1700  
800-899-5949  
FAX: (804) 672-2888

#### GCS SERVICE INC.

VIRGINIA BEACH, VA  
(757) 464-3500  
800-476-4278  
FAX: (757) 464-4106

#### WASHINGTON

#### GCS SERVICE INC.

SEATTLE, WA  
(206) 763-0353  
800-211-4274  
FAX: (206) 763-5943

#### RESTAURANT APPLIANCE SERVICE

7219 ROOSEVELT WAY, NE  
SEATTLE, WA 98115  
(206) 524-8200  
800-433-9390  
FAX: (206) 525-2890  
info@restappl.com

#### WEST VIRGINIA

#### STATEWIDE SERVICE, INC.

603 MAIN AVE.  
NITRO, WV 25143  
(304) 755-1811  
(800) 441-9739  
FAX: (304) 755-4001  
sws3182@aol.com

#### WISCONSIN

#### APPLIANCE SERVICE CENTER, INC.

2439 ATWOOD AVE  
MADISON, WI 53704  
(608) 246-3160  
800-236-7440  
FAX: (608) 246-2721  
ascmad@execpc.com

#### APPLIANCE SERVICE CENTER, INC.

6843 W. BELOIT RD.  
WEST ALLIS, WI 53219  
(414) 543-6460  
800-236-6460  
FAX: (414) 543-6480  
ascmil@execpc.com

#### APPLIANCE SERVICE CENTER

786 MORRIS AVE  
GREEN BAY, WI 54304  
(920) 496-9993  
800-236-0871  
FAX: (920) 496-9927  
ascfox@execpc.com

---

## SECTION 7: JACKSON MAINTENANCE & REPAIR CENTERS

---

### WISCONSIN TO WYOMING/INTERNATIONAL

#### **GENERAL PARTS, INC.**

W223 N735 SARATOGA DRIVE  
WAUKESHA, WI 53186  
(262) 650-6666  
(800) 279-9946  
(262) 650-6660 FAX

#### **WYOMING**

#### **HAWKINS COMMERCIAL APPLI- ANCE SERVICE**

3000 S. WYANDOT ST.  
ENGLEWOOD, CO 80110  
(303) 781-5548  
(800) 624-2117  
FAX: (303) 761-5561  
johns@hawkinscommercial.com

#### **METRO APPLIANCE SERVICE**

1640 S BROADWAY  
DENVER, CO 80210  
(303) 778-1126  
800-525-3532  
FAX: (303) 778-0268  
metroappls@aol.com

#### **INTERNATIONAL**

#### **GLOBAL PARTS AND SUPPLY**

7758 NW 72ND ST  
MIAMI, FL 33166  
(305) 885-6353

#### **H.D. SHELDON AND CO**

19 UNION SQUARE, WEST  
NEW YORK, NY 10003  
(212) 627-1759  
(212) 924-6920

#### **CANADA**

#### **THE GARLAND GROUP**

1177 KAMATO ROAD  
MISSISSAUGA, ONTARIO L4W  
1X4  
(905) 206-8380  
SALES  
(905) 624-1419  
FAX: (905) 624-1851  
SERVICE  
800-427-6668  
FAX: 800-361-7745

March 13, 2007

