

#481DB20MN

17.7" x 35.5" Pallet Jack

4,400 LB. WEIGHT CAPACITY



Table of Contents

Product Specifications	3
Delivery Inspection	3
Assembly Instructions	3
Operating Instructions	4
Safety Procedures	4
Maintenance	5
Daily Inspections	5
Troubleshooting	6
Parts Diagrams	7-10
Recycling Component Information	11

Product Specifications

The specifications below are our standard hand pallet truck's technical parameters. Besides standard pallet trucks, we produce customized trucks, such as extra wide, ultra narrow, etc. For special needs, please contact Customer Solutions Department.

Weight Capacity (lb.)	4400 lbs.	
Main Specifications	Fork Width (in.)	17.7"
	Fork Length (in.)	35.5"
	Fork Lowered Height (in.)	3"
Steer Wheel Diameter (in.)	7"	
Load Wheel Diameter (in.)	2.75"	
Item Weight (lb.)	125 lb.	

Delivery Inspection

Your Lavex Industrial Pallet Jack is quality inspection certified and each unit is checked before shipment. In order to ensure that your Pallet Jack has not been damaged in transit, check that your unit is free of any major damage or dents and is in working condition before use. If damage is evident or your unit is not in working condition, contact your distributor immediately. Never use a damaged Pallet Jack.

Assembly Instructions

If you have purchased a single, assembled unit, you may disregard the section below. If you have purchased the bulk unassembled version of this Pallet Jack, handle assembly is required.

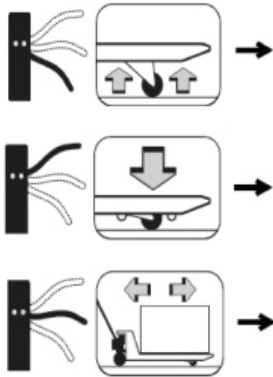
Please refer to the steps below to assemble your Pallet Jack:

1. Remove the split pin (Fig.1) before pulling axle pin.
2. Insert handle at down position and connect handle to pump body. Insert axle pin (Fig.2), then put split pin (Fig.3) back again.
3. Put the screw and nut at the end of roller chain into the slot of lever pad.
4. Pull the handle to horizontal position.
5. Test the unit by pumping the handle to fully raise and lower the unit to ensure that it is in working condition.



Operating Instructions

(Read and understand prior to using the pallet jack)



1. To raise the load, push down on the lever control. Pump the handle to raise the load from the floor.
2. To lower the load, pull up on the lever control.
3. For free handle movement, place the lever control in the neutral position.

NOTE: The neutral position disengages the pump from the lifting mechanism. This frees the handle, which makes pulling loads easier. This preserves the hydraulic seals and the valve components for a longer service life."

Safety Procedures

1. Pump the handle to fully raise and lower the unit to ensure that it is in working condition.
2. Do not operate this pallet jack unless you are authorized and trained to do so.
3. Never overload your pallet jack. Stay within its rated capacity.
4. Do not operate this pallet jack if damaged or not in proper working condition.
5. Distribute the load evenly on the forks. Do not concentrate loads at one point or load one fork more than the other.
6. Always look where you are operating. Keep a clear view.
7. Only handle loads on flat, level surfaces. Do not use a loaded pallet jack on inclines or declines.
8. Never carry passengers.
9. Never put your feet, hands, or any other body parts under the chassis assembly.
10. Always yield right of way to pedestrians.
11. Move loads only with pallet jack in its lowest position.
12. Always make sure that the load is stable before moving to eliminate the opportunity for load shift.
13. Use extreme care when rounding corners. Moving too fast could cause the pallet jack to tip. If loaded, the load could shift and fall.
14. When not in use, fully lower the forks.

Maintenance

1. In order to ensure best performance, maintain your pallet jack regularly.
2. Check your pallet jack daily for any damages or abnormalities. Never use a pallet jack with visible damage or noticeable issues.
3. Add 1-2 drops of oil in the rotary joints at the socket of shaft and hole every three months.
4. Replace the wheel bearing every 6-12 months.
5. Maintain an adjustment of the connecting rod under the fork every 6-12 months, or according to truck performance.
6. Replace the hydraulic oil in the pump every 12 months. The amount of hydraulic oil should not be too much or too little (250-300mL), and its oil level should not exceed a maximum height of the filling hole next to the pump.
7. Make an adjustment of the screw on the lever plate every 6-12 months or depending on pallet jack performance.
8. The life span of the unit's wheels depends on multiple conditions. Make sure that your wheels are being replaced when wear is noticeable or when they are losing their shape.
9. Pay special attention to the space between wheel and axis and remove any debris that can affect wheel performance.

Daily Inspections

At the start of your working, check the items listed below. Report any malfunctions or unsafe conditions to your supervisor.

Do not use this product until it is repaired.

Checking Points	Steering	Hydraulic System	Wheels	Chassis/ Handle	Lifting/ Lowering	Labels
Action	Check full rotation	Check for excessive oil on exterior and check for function	Check for wear and damage and remove debris	Check for damage and remove debris	Check for function	Check for readability

Troubleshooting

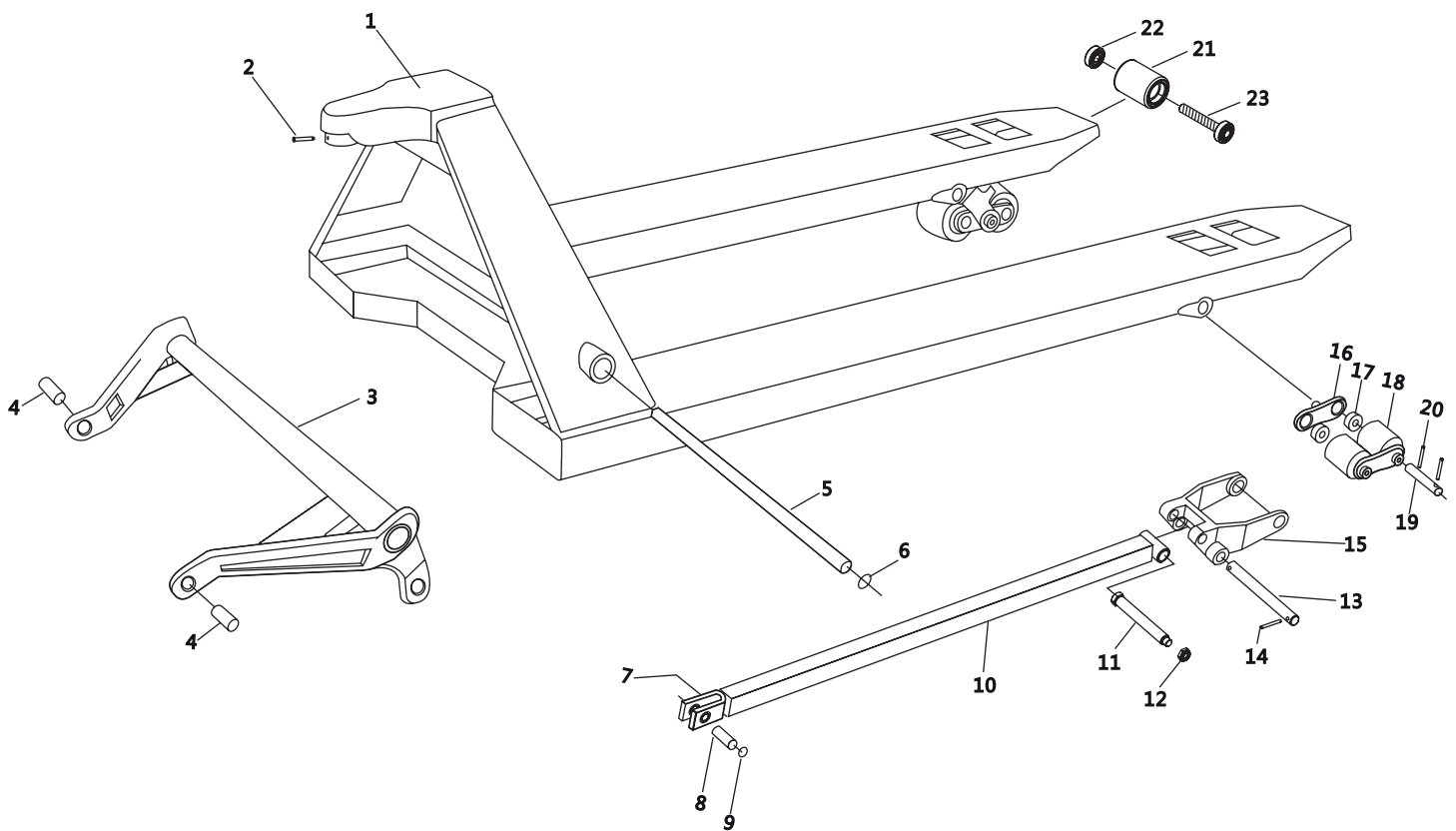
No.	Condition	Possible Causes	Action
1	Pump does not lift load	1.1 Shortage of oil	Add appropriate filtered working oil
		1.2 Air lock in the hydraulic system	Pull up on control lever and hold while pumping the handle 8-10 times to bleed air from the system
2	Pallet jack does not completely lower	2.1 Too much hydraulic oil has been added	Pump off appropriate amount of hydraulic oil
		2.2 Rotating part is distorted and gets stuck	Replace parts
3	The forks cannot drop after lifted	3.1 The control valve is abnormal	Re-adjust the unloading device
		3.2 The parts are deformed or damaged	Replace the damaged and deformed parts
4	Hydraulic oil leaks	4.1 The seal is damaged	Replace the seal
		4.2 There is a slight leakage or abrasion on the surface of individual parts	Replace the damaged parts
		4.3 Loose joint	Tighten loose joint
5	Pallet jack does not lift	5.1 Viscosity of hydraulic oil is too high or hydraulic oil is too low	Replace the hydraulic oil
		5.2 Hydraulic oil is dirty	Replace the hydraulic oil
		5.3 The lowering device is abnormal	Re-adjust the lowering device
6	Pallet jack lifts and then immediately descends when handle is pumped; the handle has large resistance or the pallet jack automatically descends obviously after lifting	The valve is stuck	Open the valve, take it out, then clean the valve and parts; re-install valve and parts to their original position

Parts Diagram

No.	Parts Name	Qty
1	Handle	1
2	Locking Bar	1
3	Spring	1
4	Control Lever Sleeve	1
5	Split Pin	1
6	Split Pin	1
7	Split Pin	1
8	Control Lever	1
9	Control Rod Assembly	1
10	Adjusting Nut	2
11	Roller/Bushing	1
12	Axle	1
13	Split Pin	1
14	Circlip for Shaft	2
15	Axle/Pressure Shaft	1
16	Split Pin	1
17	Washer/Spring Cap	1
18	Spring	1
19	Piston	1
20	Sealing Ring	1
21	Sealing	1
22	Ball	1
23	Piston 35x630mm	1
24	Dust Ring	1
25	O-Ring	1
26	Sealing	1
27	O-Ring	2
28	Screw	1
29	Screw	1
30	Washer	1

No.	Parts Name	Qty
31	Spring	1
32	Valve Core	1
33	Valve Body	1
34	O-Ring	1
35	Ball	1
36	Spring	1
37	O-Ring	1
38	Screw	1
39	Lowering Arm	1
40	Nut	1
41	Screw	1
42	Ball	1
43	Ball Base	1
44	Spring	1
45	Screw	1
46	Washer	1
47	Plug Screw	1
48	Screw	1
49	Nut	1
50	Pump Body	1
51	Plane Bearing (XC51111)	1
52	Thrust Plate	1
53	Circlip for Shaft 54mm	1
54	Steering Wheel Nylon/PU	2
55	Steering Wheel Bearings	4
56	Axle	1
57	Locking Ring	2
58	Wheel Cover	2
59	Screw	1
60	Nut	1

Parts Diagram



Parts Diagram

No.	Parts Name	Qty
1	Chassis	1
2	Screw	1
3	Torsion Bar	1
4	Torsion Bar Supporting Bearing	2
5	Torsion Bar Axle 25x595 (685)	1
	Torsion Bar Axle 25x480 (550)	1
6	Locking Ring	2
7	Connection Rod Joint	2
8	Connection Rod Joint Axle	2
9	Axle Locking Ring	2
10	Connection Rod	2
11	Wheel Carrier Minor Axle	2
12	Minor Axle Locking Ring	4
13	Wheel Carrier Major Axle	2
14	Split Pin	4
15	Tandem Wheel Carrier	2
16	Wheel Connector	4
17	Wheel Bearings	8
18	Tandem Wheel Nylon/PU	4
19	Tandem Wheel Axle	4
20	Split Pin	8
21	Nylon Wheel	2
22	Screw	2
23	Nut	2

Recycling Component Information



Chassis	Steel
Roller Suspension	Steel and Cast Iron
Grease Fittings	Steel
Rollers	Nylon, Polyurethane, Steel
Hydraulic Body	Cast Iron
Thrust Plate	Cast Iron
Handle	Steel
Hydraulic Oil	Disposal in Accordance with Local Regulations