



Service Parts Manual
Elevation Series CIM Cuber with R290 Refrigerant
300lbs to 1100lbs Nominal Daily Capacity

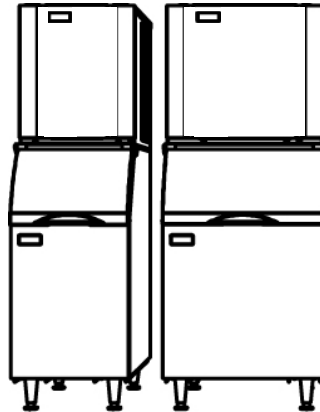


TABLE OF CONTENTS

Model List 2

Model Nomenclature 2

Cabinet 3

Water System 6

Refrigeration System: Air Cooled 9

Refrigeration System: Water Cooled 13

Electrical System 17

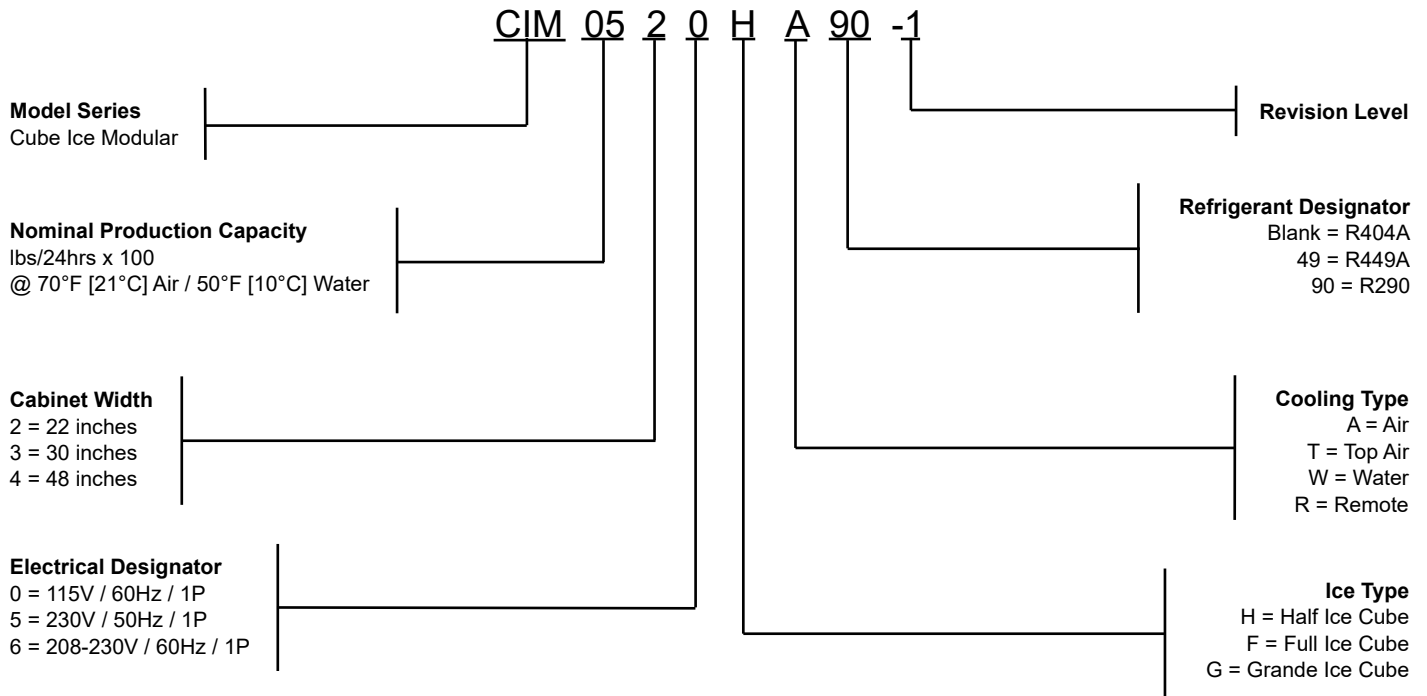
KCUBEDISP Dispenser Kit 20

MODEL LIST

This parts list contains the service parts available for the following CIM ice makers.

Model	Model	Model
CIM03*0	CIM03*5	CIM03*6
CIM04*0	CIM04*5	CIM04*6
CIM05*0	CIM05*5	
	CIM06*5	CIM06*6
	CIM08*5	CIM08*6
	CIM11*5	CIM11*6

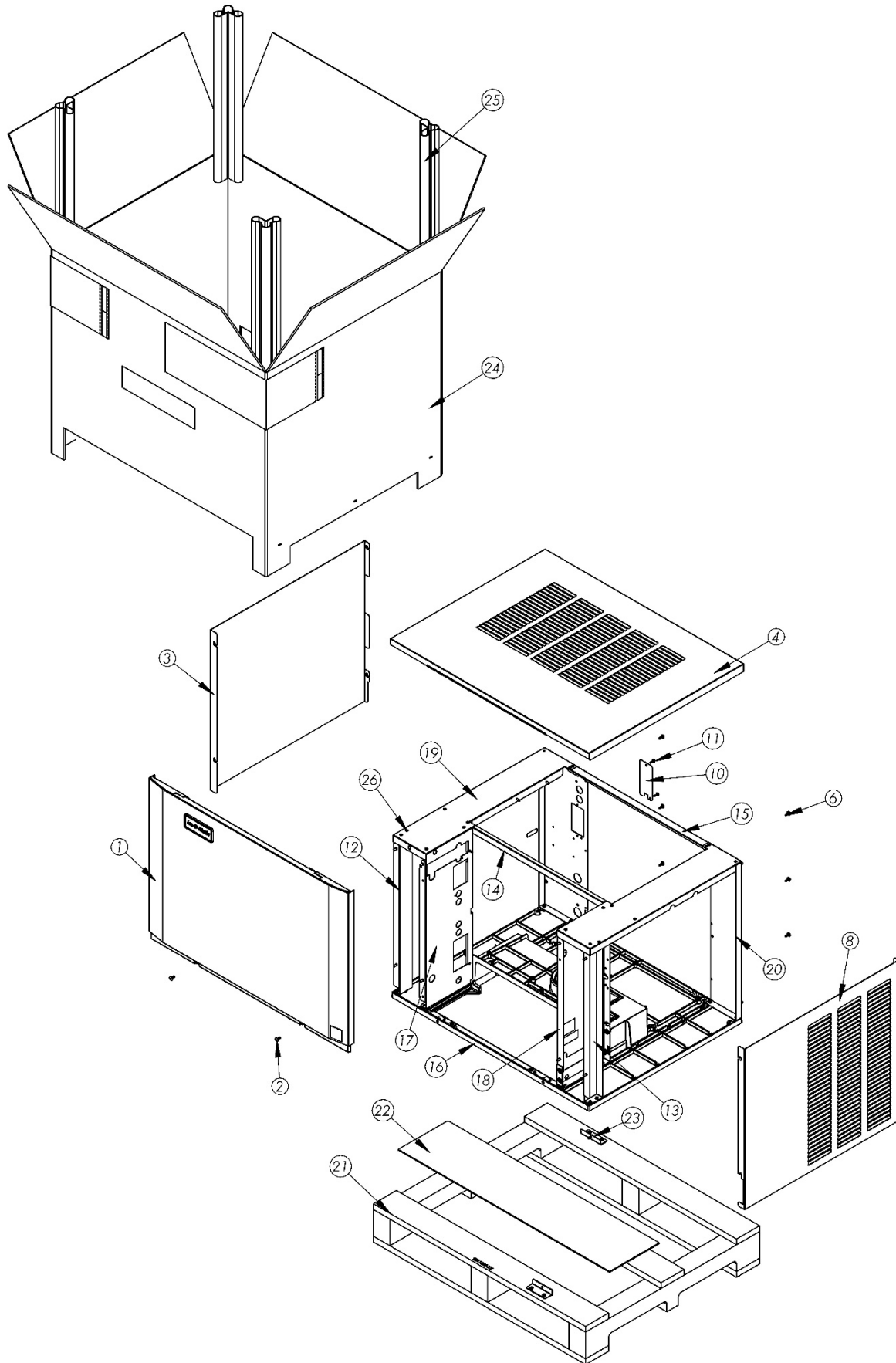
MODEL NOMENCLATURE



Check the model number on the data plate and refer to the correct listing for the specific component.

Check carefully that the correct part is identified and ordered.

Cabinet



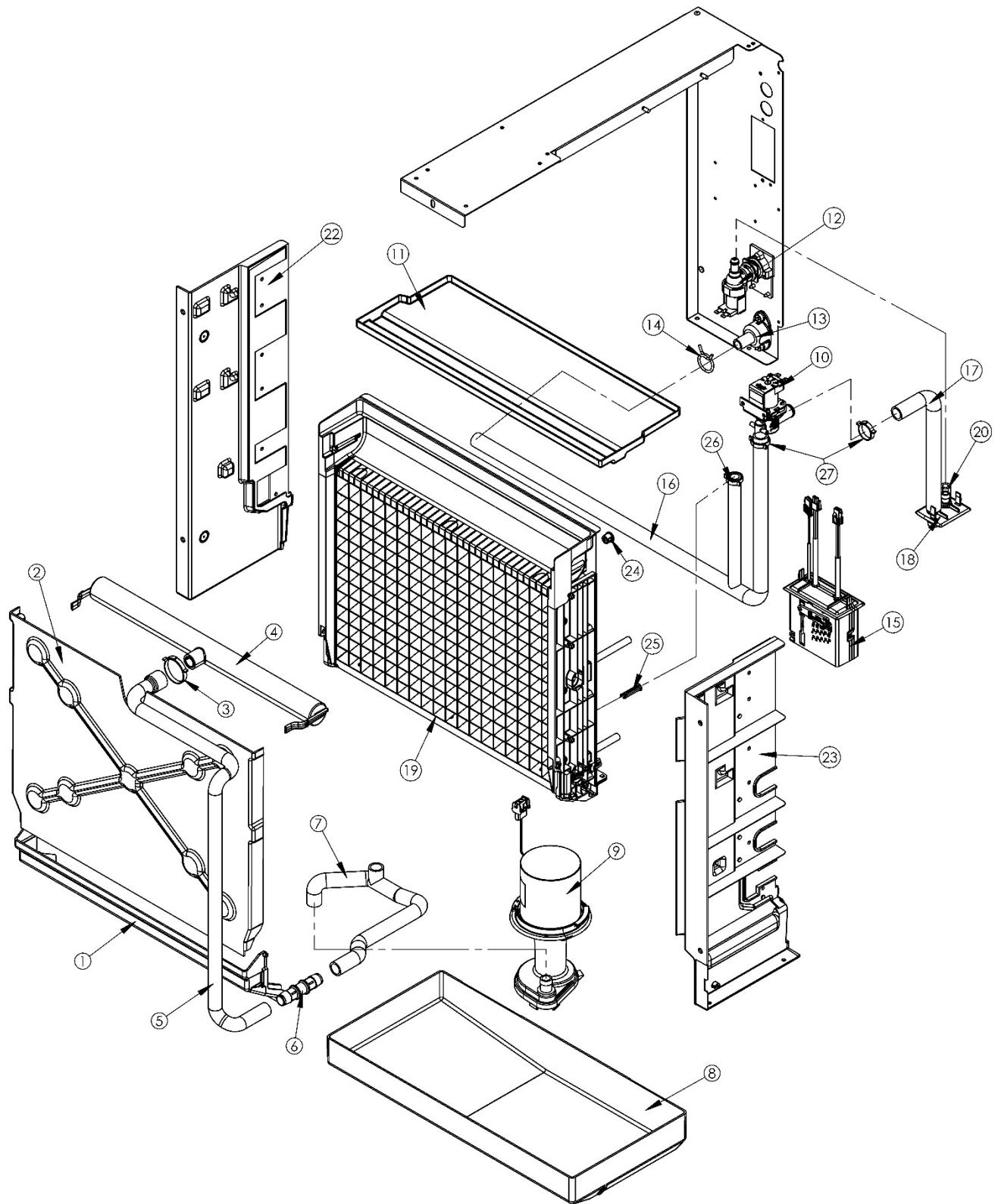
Cabinet

Item No.	Model Family				Description
	22" Wide 300-600lbs		30" Wide 300-600lbs		
	CIM0*2*A	CIM0*2*W	CIM0*3*A	CIM0*3*W	
1	2031565-01S	2031565-01S	2031567-01S	2031567-01S	Front Panel
2	9031237-01P	9031237-01P	9031237-01P	9031237-01P	Front Panel Screw (2 pack)
3	3022007-02	3022007-02	3022007-02	3022007-02	Left Side Panel
4	3022012-07	3022012-01	3022012-08	3022012-03	Top Panel (Louvered on air models)
5					
6	9031046-01P	9031046-01P	9031046-01P	9031046-01P	Rear Cover/Condenser Screws (10 pack)
7					
8	3022007-08	3022007-03	3022007-08	3022007-03	Right Side Panel (Louvered on air models)
9					
10	3013674-01	3013674-01	3013674-01	3013674-01	Junction Box Cover
11	9031046-01P	9031046-01P	9031046-01P	9031046-01P	Junction Box Screw (10 pack)
12	-	-	2021786-01	2021786-01	Left Front Corner Post
13	-	-	2021786-02	2021786-02	Right Front Corner Post
14	3013637-01	3013637-01	3013637-02	3013637-02	Center Brace
15	3013636-01	3013636-01	3013636-01	3013636-01	Rear Brace
16	9051725-01	9051725-01	9051725-02	9051725-02	Base
17	2021784-01	2021784-01	2021784-01	2021784-01	Front Left Brace
18	2021785-01	2021785-01	2021785-01	2021785-01	Front Right Brace
19	3013691-01	3013691-01	2021780-01	2021780-01	Right Side (Top for 22") Framework Assembly
	2021782-01	2021782-01	-	-	Right Side (Lower for 22") Framework Assembly
20	2021810-01	2021810-01	2021781-01	2021781-01	Left Side (Top for 22") Framework Assembly
	2021783-01	2021783-01	-	-	Left Side (Lower for 22") Framework Assembly
21	9011369-03	9011369-03	9011369-02	9011369-02	Skid
22	9011378-02	9011378-02	9011378-01	9011378-01	Carton Liner
23	9051765-01	9051765-01	9051765-01	9051765-01	Shipping Bracket (2 required)
24	9011374-01	9011374-01	9011374-02	9011374-02	Carton
25	9011320-15	9011320-15	9011320-15	9011320-15	Corner Post (4 required)
26	9031026-04P	9031026-04P	9031026-04P	9031026-04P	Pop Rivets (10 pack)
	-	3013634-01	-	3013634-01	Water & Remote Back Panel (not shown)

Cabinet

Item No.	Model Family				Description
	22" Wide 800-1100lbs		30" Wide 800-1100lbs		
	CIM0*2*A	CIM0*2*W	CIM0*3*A	CIM0*3*W	
1	2031566-01S	2031566-01S	2031567-01S	2031567-01S	Front Panel
2	9031237-01P	9031237-01P	9031237-01P	9031237-01P	Front Panel Screw (2 pack)
3	3022007-05	3022007-05	3022007-05	3022007-05	Left Side Panel
4	3022012-07	3022012-01	3022012-08	3022012-03	Top Panel (Louvered on air models)
5					
6	9031046-01P	9031046-01P	9031046-01P	9031046-01P	Rear Cover/Condenser Screws (10 pack)
7					
8	3022007-04	3022007-06	3022007-04	3022007-06	Right Side Panel (Louvered on air models)
9					
10	3013674-01	3013674-01	3013674-01	3013674-01	Junction Box Cover
11	9031046-01P	9031046-01P	9031046-01P	9031046-01P	Junction Box Screw (10 pack)
12	-	-	2021801-01	2021801-01	Left Front Corner Post
13	-	-	2021801-02	2021801-02	Right Front Corner Post
14	3013637-01	3013637-01	3013637-02	3013637-02	Center Brace
15	3013636-01	3013636-01	3013636-01	3013636-01	Rear Brace
16	9051725-01	9051725-01	9051725-02	9051725-02	Base
17	2021800-01	2021800-01	2021800-01	2021800-01	Front Left Brace
18	2021800-02	2021800-02	2021800-02	2021800-02	Front Right Brace
19	3013691-01	3013691-01	2021798-01	2021798-01	Right Side (Top for 22") Framework Assembly
	2021808-01	2021808-01	-	-	Right Side (Lower for 22") Framework Assembly
20	2021810-01	2021810-01	2021799-01	2021799-01	Left Side (Top for 22") Framework Assembly
	2021803-01	2021803-01	-	-	Left Side (Lower for 22") Framework Assembly
21	9011369-03	9011369-03	9011369-02	9011369-02	Skid
22	9011378-02	9011378-02	9011378-01	9011378-01	Carton Liner
23	9051765-01	9051765-01	9051765-01	9051765-01	Shipping Bracket (2 required)
24	9011374-04	9011374-04	9011374-05	9011374-05	Carton
25	9011320-06	9011320-06	9011320-06	9011320-06	Corner Post (4 required)
26	9031026-04P	9031026-04P	9031026-04P	9031026-04P	Pop Rivets (10 pack)
	-	3013634-04	-	3013634-04	Water & Remote Back Panel (not shown)

Water System



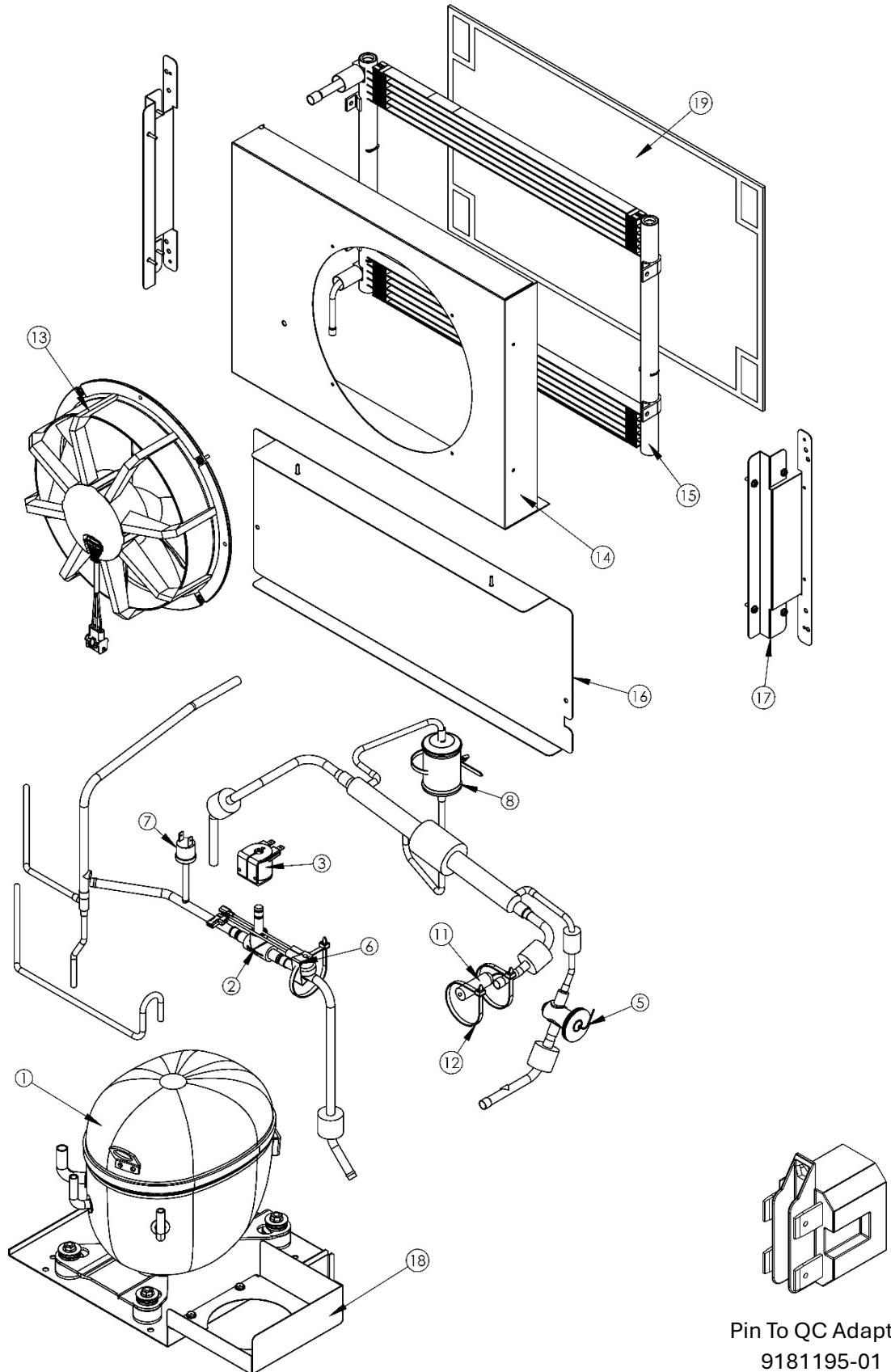
Water System

Item No.	Model Family						Description
	CIM03*0*	CIM03*5*	CIM03*6*	CIM04*0* CIM05*0*	CIM04*5* CIM05*5* CIM06*5*	CIM04*6* CIM05*6* CIM06*6*	
1	9051823-01S	9051823-01S	9051823-01S	9051823-01S	9051823-01S	9051823-01S	Lower Curtain
2	9051726-01	9051726-01	9051726-01	9051726-02	9051726-02	9051726-02	Evaporator Cover
3	9021010-05	9021010-05	9021010-05	9021010-05	9021010-05	9021010-05	Hose Clamp, Plastic
4	9051766-01	9051766-01	9051766-01	9051766-01	9051766-01	9051766-01	Water Distribution Assembly
5	9051749-01	9051749-01	9051749-01	9051749-02	9051749-02	9051749-02	Water Tube, Upper
6	9091177-01	9091177-01	9091177-01	9091177-01	9091177-01	9091177-01	Coupler, Straight, 5/8" I.D. Tubing
7	9051748-01	9051748-01	9051748-01	9051748-01	9051748-01	9051748-01	Water Tube, Sump
8	9051737-01	9051737-01	9051737-01	9051737-01	9051737-01	9051737-01	Sump/Water Trough
9	2062336-01S	2062336-02S	2062336-02S	2062336-01S	2062336-02S	2062336-02S	Water Pump
10	9041105-04	9041105-05	9041105-05	9041105-04	9041105-05	9041105-05	Purge Valve
11	9051738-01	9051738-01	9051738-01	9051738-01	9051738-01	9051738-01	Top Cover
12	9041108-01	9041108-02	9041108-02	9041108-01	9041108-02	9041108-02	Water Inlet Valve
13	9091140-01	9091140-01	9091140-01	9091140-01	9091140-01	9091140-01	Drain Fitting
14	9021113-02	9021113-02	9021113-02	9021113-02	9021113-02	9021113-02	Hose Clamp, Metal
15	1051224-01	1051224-01	1051224-01	1051224-01	1051224-01	1051224-01	Float Switch Assmely (with instructions)
16	9051856-01	9051856-01	9051856-01	9051856-01	9051856-01	9051856-01	Purge to Drain Tube
17	9051541-01	9051541-01	9051541-01	9051541-01	9051541-01	9051541-01	Pump to Purge Valve Tube
18	9051739-01	9051739-01	9051739-01	9051739-01	9051739-01	9051739-01	Inlet Outlet Bracket
19	1051320-01	1051320-01	1051320-01	1051340-01	1051340-01	1051340-01	Full Cube Evaporator Assembly
	1051320-02	1051320-02	1051320-02	1051340-02	1051340-02	1051340-02	Half Cube Evaporator Assembly
20	9051782-36	9051782-36	9051782-36	9051782-36	9051782-36	9051782-36	Inlet Valve to Sump Tubing
21							
22	9051729-01	9051729-01	9051729-01	9051729-01	9051729-01	9051729-01	Left Evaporator Support
23	9051730-01	9051730-01	9051730-01	9051730-01	9051730-01	9051730-01	Right Evaporator Support
24	9051001-02	9051001-02	9051001-02	9051001-02	9051001-02	9051001-02	Harvest Assist Guide
25	9051840-01	9051840-01	9051840-01	9051840-01	9051840-01	9051840-01	Poppet Valve (Evap. Condensation Tray)

Water System

Item No.	Model Family					Description
	CIM08*5*	CIM08*6*		CIM11*5*	CIM11*6*	
1	9051823-01S	9051823-01S		9051823-01S	9051823-01S	Lower Curtain
2	9051760-01	9051760-01		9051760-01	9051760-01	Evaporator Cover
3	9021010-05	9021010-05		9021010-05	9021010-05	Hose Clamp, Plastic
4	9051766-01	9051766-01		9051766-01	9051766-01	Water Distribution Assembly
5	9051749-03	9051780-01		9051749-03	9051780-01	Water Tube, Upper
	9051749-05	9051749-05		9051749-05	9051749-05	Water Tube, Lower
6	9091177-01	9091177-01		9091177-01	9091177-01	Coupler, Straight, 5/8" I.D. Tubing
7	9051748-01	9051748-01		9051748-01	9051748-01	Water Tube, Sump
8	9051737-01	9051737-01		9051737-01	9051737-01	Sump/Water Trough
9	2062336-03S	2062336-03S		2062336-03S	2062336-03S	Water Pump
10	9041105-05	9041105-05		9041105-05	9041105-05	Purge Valve
11	9051738-01	9051738-01		9051738-01	9051738-01	Top Cover
12	9041108-01	9041108-02		9041108-01	9041108-02	Water Inlet Valve
13	9091140-01	9091140-01		9091140-01	9091140-01	Drain Fitting
14	9021113-02	9021113-02		9021113-02	9021113-02	Hose Clamp, Metal
15	1051224-01	1051224-01		1051224-01	1051224-01	Float Switch Assmely (with instructions)
16	9051856-01	9051856-01		9051856-01	9051856-01	Purge to Drain Tube
17	9051541-01	9051541-01		9051541-01	9051541-01	Pump to Purge Valve Tube
18	9051739-01	9051739-01		9051739-01	9051739-01	Inlet Outlet Bracket
19	1051380-01	1051380-01		1051380-01	1051380-01	Full Cube Evaporator Assembly
	1051380-02	1051380-02		1051380-02	1051380-02	Half Cube Evaporator Assembly
	1051380-03	1051380-03		1051380-03	1051380-03	Grande Cube Evaporator Assembly
20	9051782-36	9051782-36		9051782-36	9051782-36	Inlet Valve to Sump Tubing
21						
22	9051758-01	9051758-01		9051758-01	9051758-01	Left Evaporator Support
23	9051759-01	9051759-01		9051759-01	9051759-01	Right Evaporator Support
24	9051001-02	9051001-02		9051001-02	9051001-02	Harvest Assist Guide
25	9051840-01	9051840-01		9051840-01	9051840-01	Poppet Valve (Evap. Condensation Tray)

Refrigeration System: Air Cooled



Refrigeration System: Air Cooled

Item No.	Model Family						Description
	CIM03*0*A	CIM03*5*A	CIM03*6*A	CIM04*0*A	CIM04*5*A	CIM04*6*A	
1	9181204-101	9181216-101	9181216-101	9181204-101	9181209-101	9181216-101	Compressor Kit
2	9151192-01	9151192-01	9151192-01	9151192-01	9151192-01	9151192-01	Hot Gas Valve Body
3	9151193-01	9151193-02	9151193-02	9151193-01	9151193-02	9151193-02	Hot Gas Valve Coil
4							
5	9151216-01	9151216-01	9151216-01	9151214-01	9151214-01	9151214-01	TXV
6	9041098-02	9041098-02	9041098-02	9041098-02	9041098-02	9041098-02	High Temperature Sw itch
7	9041120-01	9041120-01	9041120-01	9041120-01	9041120-01	9041120-01	High Pressure Sw itch
8	9151163-01	9151163-01	9151163-01	9151163-01	9151163-01	9151163-01	Drier (included in compressor kit)
9							
10							
11	9131143-01	9131143-01	9131143-01	9131143-01	9131143-01	9131143-01	Insulation, Bulb
12	9021021-01	9021021-01	9021021-01	9021021-01	9021021-01	9021021-01	Cable Tie
13	9161155-01	9161155-02	9161155-02	9161155-01	9161155-02	9161155-02	Fan Motor
14	3013867-01	3013867-01	3013867-01	3013867-01	3013867-01	3013867-01	Fan Shroud
15	9141174-01	9141174-01	9141174-01	9141174-01	9141174-01	9141174-01	Condenser
16	3013917-01	3013917-01	3013917-01	3013917-01	3013917-01	3013917-01	Low er Rear Panel
17	3013866-01	3013866-01	3013866-01	3013866-01	3013866-01	3013866-01	Condenser Bracket
18	2021776-01S	2021776-03S	2021776-03S	2021776-01S	2021776-01S	2021776-03S	Compressor Base
19	9131583-01	9131583-01	9131583-01	9131583-01	9131583-01	9131583-01	Air Filter
	Compressor Starting Components (Included in Comp Kit)						
	9181003-63	9181003-68	9181003-68	9181003-63	9181003-65	9181003-68	Start Capacitor
	9181009-17	9181009-31	9181009-31	9181009-17	9181009-09	9181009-31	Run Capacitor
	9181010-39	9181004-37	9181004-37	9181010-39	9181010-27	9181004-37	Compressor Relay
	9181005-49	Internal	Internal	9181005-49	9181005-58	Internal	Overload
	9181195-01 (As Required)						Pin to QC Adapter

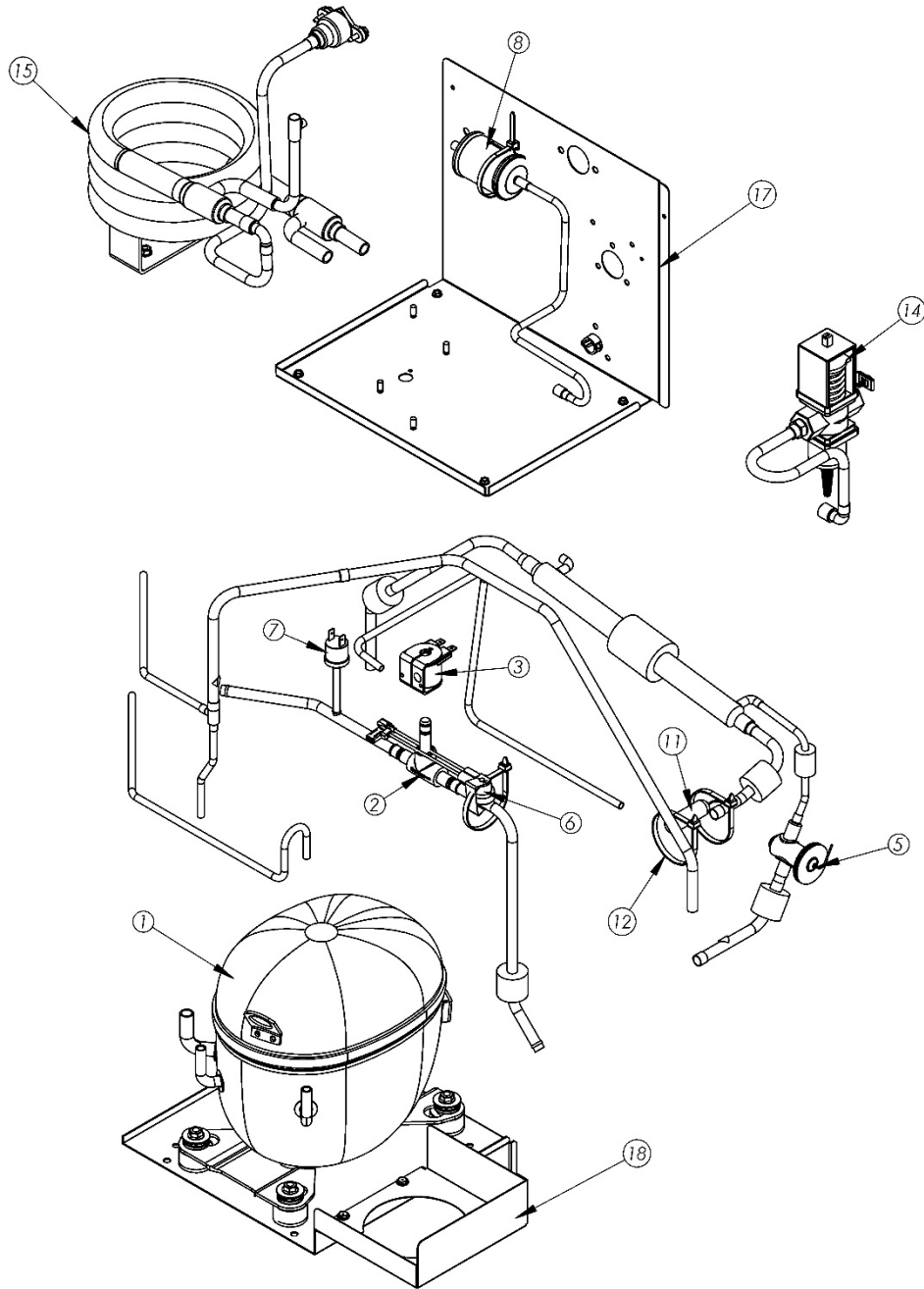
Refrigeration System: Air Cooled

Item No.	Model Family					Description
	CIM05*0*A	CIM05*5*A			CIM06*6*A	
1	9181206-101	9181210-101			9181208-101	Compressor Kit
2	9151192-01	9151192-01			9151192-01	Hot Gas Valve Body
3	9151193-01	9151193-02			9151193-02	Hot Gas Valve Coil
4						
5	9151214-01	9151214-01			9151214-01	TXV
6	9041098-02	9041098-02			9041098-02	High Temperature Sw itch
7	9041120-01	9041120-01			9041120-01	High Pressure Sw itch
8	9151163-01	9151163-01			9151163-01	Drier (included in compressor kit)
9						
10						
11	9131143-01	9131143-01			9131143-01	Insulation, Bulb
12	9021021-01	9021021-01			9021021-01	Cable Tie
13	9161155-01	9161155-02			9161155-02	Fan Motor
14	3013867-01	3013867-01			3013867-01	Fan Shroud
15	9141174-01	9141174-01			9141174-01	Condenser
16	3013917-01	3013917-01			3013917-01	Low er Rear Panel
17	3013866-01	3013866-01			3013866-01	Condenser Bracket
18	2021776-01S	2021776-01S			2021776-01S	Compressor Base
19	9131583-01	9131583-01			9131583-01	Air Filter
	Compressor Starting Components (Included in Comp Kit)					
	9181003-64	9181003-26			9181003-52	Start Capacitor
	9181009-12	9181009-28			9181009-30	Run Capacitor
	9181010-14	9181010-40			9181010-41	Compressor Relay
	9181005-56	9181005-60			Internal	Overload
	9181195-01 (As Required)					Pin to QC Adapter

Refrigeration System: Air Cooled

Item No.	Model Family					Description
	CIM08*5*A	CIM08*6*A		CIM11*5*A	CIM11*6*A	
1	9181218-101	9181213-01		9181219-101	9181217-101	Compressor Kit
2	9151198-01	9151198-01		9151198-01	9151198-01	Hot Gas Valve Body
3	9151193-02	9151193-02		9151193-02	9151193-02	Hot Gas Valve Coil
4						
5	9151223-01	9151223-01		9151223-01	9151223-01	TXV
6	9041098-02	9041098-02		9041098-02	9041098-02	High Temperature Switch
7	9041120-01	9041120-01		9041120-01	9041120-01	High Pressure Sw itch
8	9151163-01	9151163-01		9151163-01	9151163-01	Drier (included in compressor kit)
9						
10						
11	9131143-01	9131143-01		9131143-01	9131143-01	Insulation, Bulb
12	9021021-01	9021021-01		9021021-01	9021021-01	Cable Tie
13	9161163-02	9161163-02		9161163-02	9161163-02	Fan Motor
14	3013951-02	3013951-02		3013951-02	3013951-02	Fan Shroud
15	9141180-01	9141180-01		9141180-01	9141180-01	Condenser
16	N/A	N/A		N/A	N/A	Low er Rear Panel
17	3013952-01	3013952-01		3013952-01	3013952-01	Condenser Bracket
18	2021865-01S	2021865-01S		2021865-01S	2021865-01S	Compressor Base
19	9131574-02	9131574-02		9131574-02	9131574-02	Air Filter
	Compressor Starting Components (Included in Comp Kit)					
	9181003-52	9181003-52		9181003-54	9181003-69	Start Capacitor
	9181009-17	9181009-17		9181009-26	9181009-28	Run Capacitor
	9181010-01	9181010-28		9181010-43	9181010-27	Compressor Relay
	Internal	Internal		Internal	Internal	Overload
	9181195-01 (As Required)					Pin to QC Adapter

Refrigeration System: Water Cooled



Pin To QC Adapter
9181195-01

Refrigeration System: Water Cooled

Item No.	Model Family						Description
	CIM03*0*W	CIM03*5*W	CIM03*6*W	CIM04*0*W	CIM04*5*W	CIM04*6*W	
1	9181204-101	9181216-101	9181216-101	9181204-101	9181209-101	9181216-101	Compressor Kit
2	9151192-01	9151192-01	9151192-01	9151192-01	9151192-01	9151192-01	Hot Gas Valve Body
3	9151193-01	9151193-02	9151193-02	9151193-01	9151193-02	9151193-02	Hot Gas Valve Coil
4							
5	9151216-01	9151216-01	9151216-01	9151214-01	9151214-01	9151214-01	TXV
6	9041098-02	9041098-02	9041098-02	9041098-02	9041098-02	9041098-02	High Temperature Sw itch
7	9041120-01	9041120-01	9041120-01	9041120-01	9041120-01	9041120-01	High Pressure Sw itch
8	9151163-01	9151163-01	9151163-01	9151163-01	9151163-01	9151163-01	Drier (included in compressor kit)
9							
10							
11	9131143-01	9131143-01	9131143-01	9131143-01	9131143-01	9131143-01	Insulation, Bulb
12	9021021-01	9021021-01	9021021-01	9021021-01	9021021-01	9021021-01	Cable Tie
13							
14	9041059-02	9041059-02	9041059-02	9041059-02	9041059-02	9041059-02	Water Regulator
15	9141178-01	9141178-01	9141178-01	9141178-01	9141178-01	9141178-01	Condenser
16							
17	2021790-01S	2021790-01S	2021790-01S	2021790-01S	2021790-01S	2021790-01S	Condenser Bracket
18	2021776-01S	2021776-03S	2021776-03S	2021776-01S	2021776-01S	2021776-03S	Compressor Base
19							
	Compressor Starting Components (Included in Comp Kit)						
	9181003-63	9181003-68	9181003-68	9181003-63	9181003-65	9181003-68	Start Capacitor
	9181009-17	9181009-31	9181009-31	9181009-17	9181009-09	9181009-31	Run Capacitor
	9181010-39	9181004-37	9181004-37	9181010-39	9181010-27	9181004-37	Compressor Relay
	9181005-49	Internal	Internal	9181005-49	9181005-58	Internal	Overload
	9181195-01 (As Required)						Pin to QC Adapter

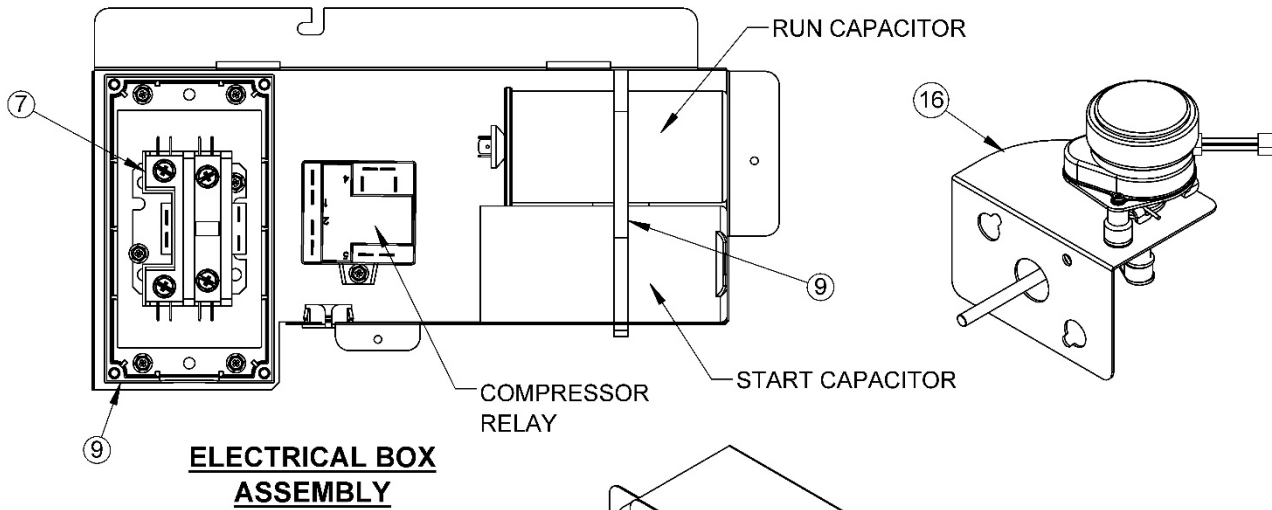
Refrigeration System: Water Cooled

Item No.	Model Family					Description
	CIM05*0*W	CIM05*5*W			CIM06*6*W	
1	9181206-101	9181210-101			9181208-101	Compressor Kit
2	9151192-01	9151192-01			9151192-01	Hot Gas Valve Body
3	9151193-01	9151193-02			9151193-02	Hot Gas Valve Coil
4						
5	9151214-01	9151214-01			9151214-01	TXV
6	9041098-02	9041098-02			9041098-02	High Temperature Sw itch
7	9041120-01	9041120-01			9041120-01	High Pressure Switch
8	9151163-01	9151163-01			9151163-01	Drier (included in compressor kit)
9						
10						
11	9131143-01	9131143-01			9131143-01	Insulation, Bulb
12	9021021-01	9021021-01			9021021-01	Cable Tie
13						
14	9041059-02	9041059-02			9041059-02	Water Regulator
15	9141178-01	9141178-01			9141178-01	Condenser
16						
17	2021790-01S	2021790-01S			2021790-01S	Condenser Bracket
18	2021776-01S	2021776-03S			2021776-03S	Compressor Base
19						
	Compressor Starting Components (Included in Comp Kit)					
	9181003-64	9181003-26			9181003-52	Start Capacitor
	9181009-12	9181009-28			9181009-30	Run Capacitor
	9181010-14	9181010-40			9181010-41	Compressor Relay
	9181005-56	9181005-60			Internal	Overload
	9181195-01 (As Required)					Pin to QC Adapter

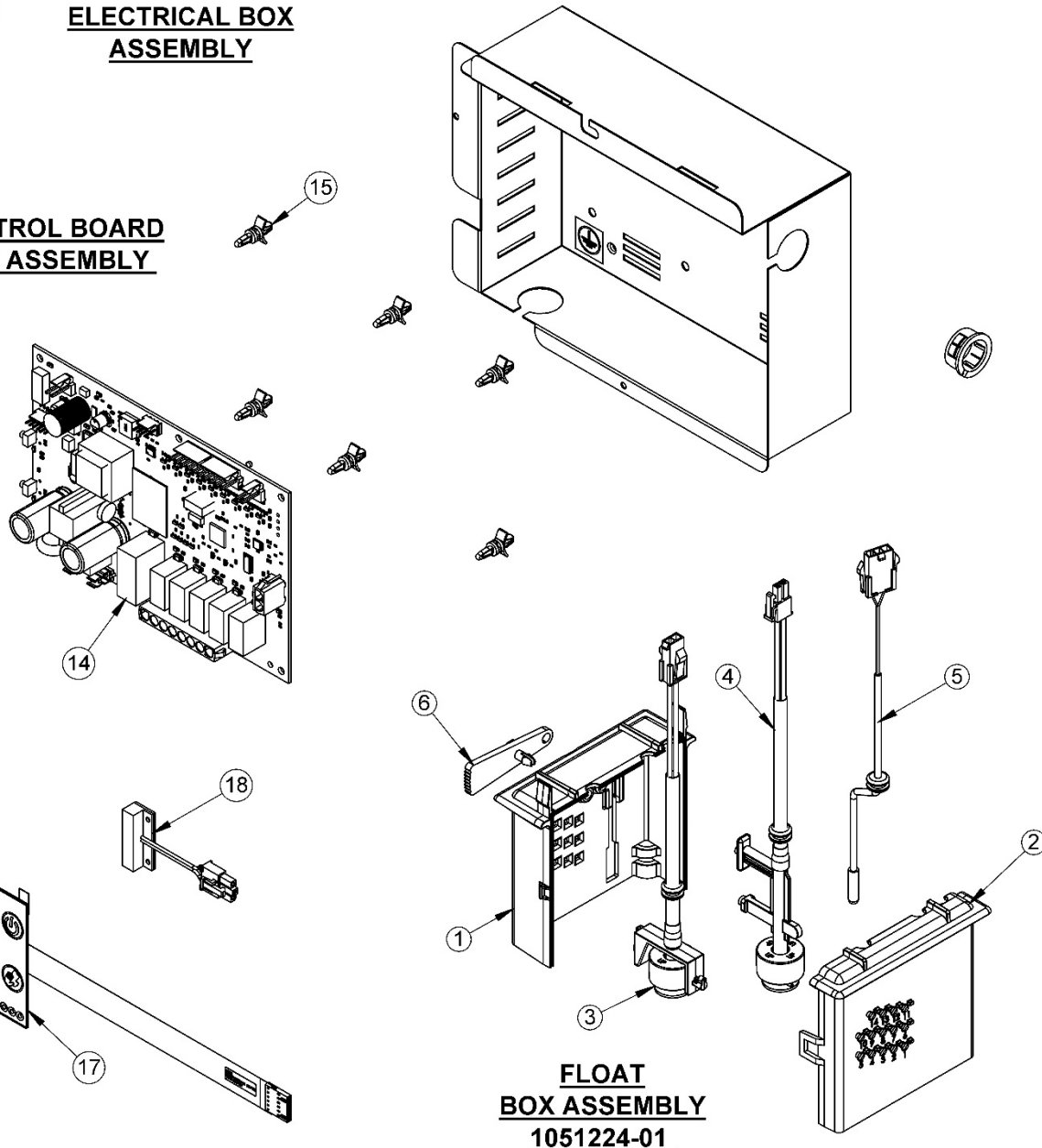
Refrigeration System: Water Cooled

Item No.	Model Family					Description
	CIM08*5*W	CIM08*6*W		CIM11*5*W	CIM11*6*W	
1	9181218-101	9181213-01		9181219-101	9181217-101	Compressor Kit
2	9151198-01	9151198-01		9151198-01	9151198-01	Hot Gas Valve Body
3	9151193-02	9151193-02		9151193-02	9151193-02	Hot Gas Valve Coil
4						
5	9151223-01	9151223-01		9151223-01	9151223-01	TXV
6	9041098-02	9041098-02		9041098-02	9041098-02	High Temperature Sw itch
7	9041120-01	9041120-01		9041120-01	9041120-01	High Pressure Switch
8	9151163-01	9151163-01		9151163-01	9151163-01	Drier (included in compressor kit)
9						
10						
11	9131143-01	9131143-01		9131143-01	9131143-01	Insulation, Bulb
12	9021021-01	9021021-01		9021021-01	9021021-01	Cable Tie
13						
14	9041059-02	9041059-02		9041059-02	9041059-02	Water Regulator
15	9141179-01	9141179-01		9141179-01	9141179-01	Condenser
16						
17	2021790-01S	2021790-01S		2021790-01S	2021790-01S	Condenser Bracket
18	2021865-01S	2021865-01S		2021865-01S	2021865-01S	Compressor Base
19						
	Compressor Starting Components (Included in Comp Kit)					
	9181003-52	9181003-52		9181003-54	9181003-69	Start Capacitor
	9181009-17	9181009-17		9181009-26	9181009-28	Run Capacitor
	9181010-01	9181010-28		9181010-43	9181010-27	Compressor Relay
	Internal	Internal		Internal	Internal	Overload
	9181195-01 (As Required)					Pin to QC Adapter

Electrical System



CONTROL BOARD BOX ASSEMBLY



FLOAT BOX ASSEMBLY 1051224-01

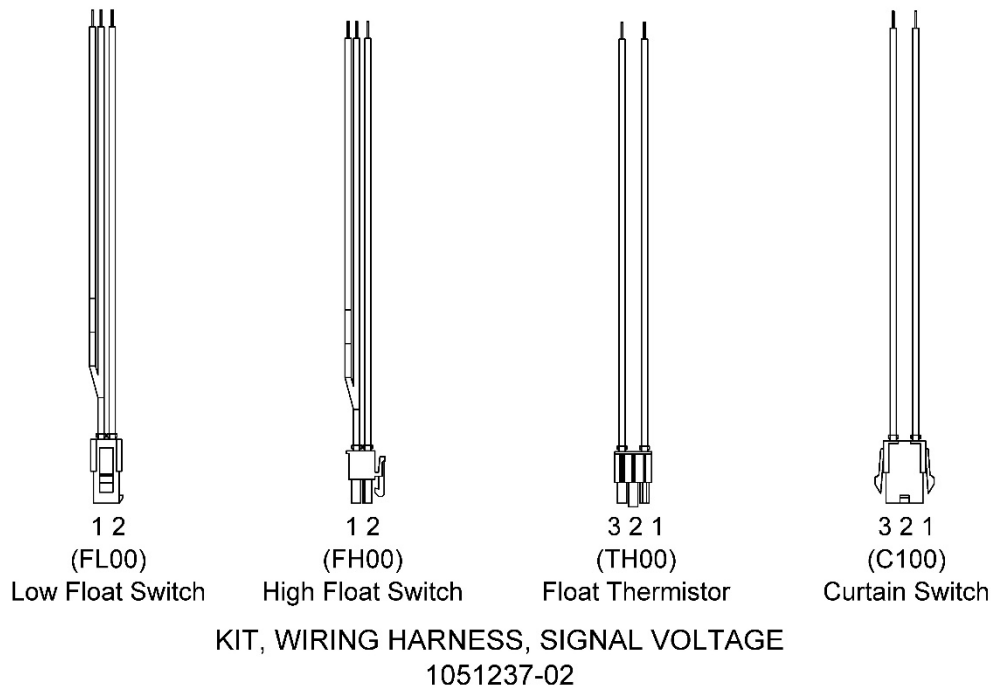
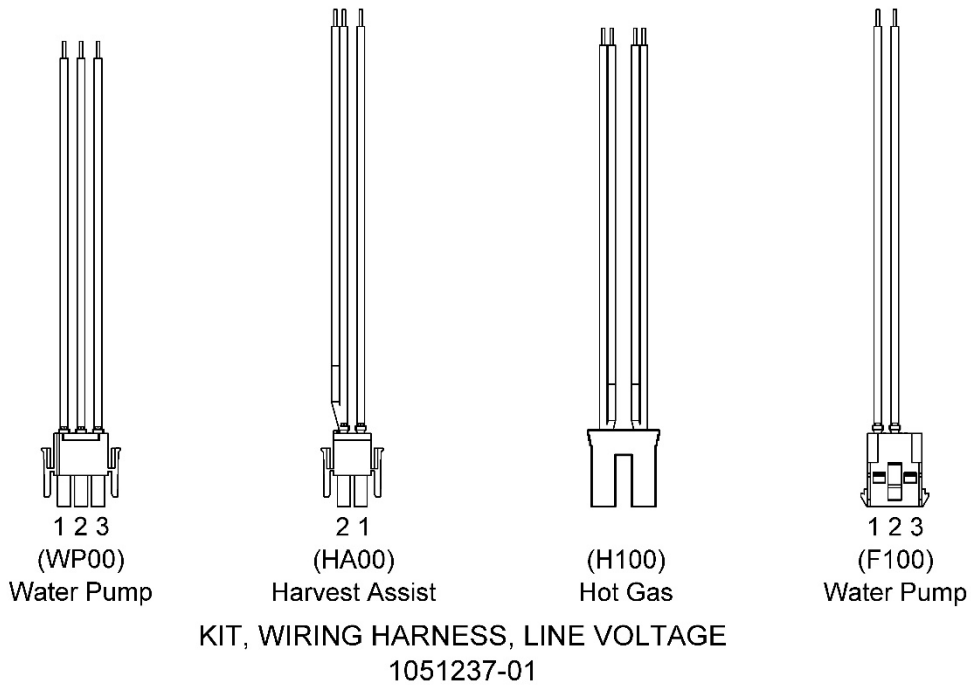
Electrical System

Item No.	Model Family				Description
	CIM03*0* CIM04*0* CIM05*0*	CIM03*5* CIM04*5* CIM05*5* CIM06*5*	CIM03*6* CIM04*6* CIM05*6* CIM06*6*	CIM08*5* CIM08*6* CIM11*5* CIM11*6*	
1	9051727-01	9051727-01	9051727-01	9051727-01	Float Assembly Front
2	9051727-02	9051727-02	9051727-02	9051727-02	Float Assembly Rear
3	9101378-01	9101378-01	9101378-01	9101378-01	High Float
4	9101377-01	9101377-01	9101377-01	9101377-01	Low Float
5	9041112-01	9041112-01	9041112-01	9041112-01	Thermistor
6	9051728-01	9051728-01	9051728-01	9051728-01	Float Adjustment Arm
7	9021002-07	9021002-06	9021002-06	9021002-06	Contactora
8	9021096-01	9021096-01	9021096-01	9021096-01	Cable Tie, Metal
9	9051881-01	9051881-01	9051881-01	9051881-01	Contactora Box, Lower
10					
11					
12					
13					
14	9101414-01	9101414-01	9101414-01	9101414-01	CIM Control Board
15	9051698-01P	9051698-01P	9051698-01P	9051698-01P	Plastic Standoff (Pack of 10)
16	9161134-01	9161134-02	9161134-02	9161134-02	Harvest Assist
17	9101394-01	9101394-01	9101394-01	9101394-01	Membrane Switch
18	9101379-01	9101379-01	9101379-01	9101379-01	Curtain Switch
	9101497-01	9101497-01	9101497-01	9101497-02	Wire Harness - Line Voltage (Air)
	9101380-03	9101380-03	9101380-03	9101380-03	Wire Harness - Line Voltage (Water)
	9101381-01	9101381-01	9101381-01	9101381-03	Wire Harness - Low Voltage (Air/Water)
	9051881-02	9051881-02	9051881-02	9051881-02	Contactora Box, Upper (not shown)

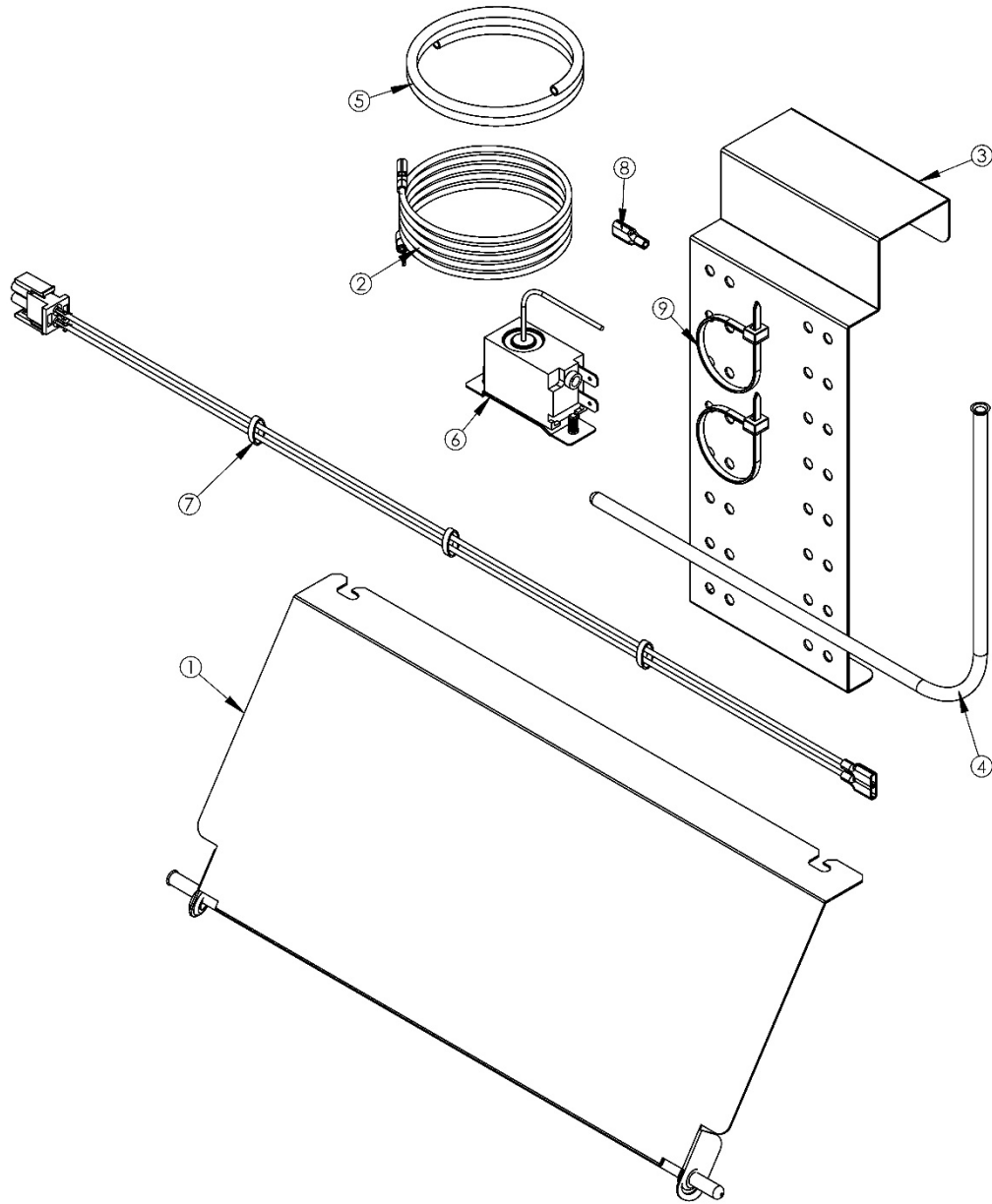
Electrical System

Wiring harness service kits are available to provide a specific connector to be replaced due to a damaged connector or wire.

<u>Kit Part Number</u>	<u>Components Serviced</u>	<u>Voltage</u>
1051237-01	Water Pump, Harvest Assist, Hot Gas Valve, Fan Motor	115 or 208-240VAC
1051237-02	Low Float Switch, High Float Switch, Thermistor, Curtain Switch	12VDC



KCUBEDISP



Item No.	Part Number	Description
1	2021787-02S	Deflector
2	9101423-01	Wire Assembly
3	3013572-01	Bin Thermostat Tube Bracket
4	3033768-01	Bin Thermostat Tube
5	6021018-03	Tubing, PVC Insulation (for bin thermostat cap tube)
6	9041097-01	Bin Thermostat
7	9101395-01	Wiring Harness, Bin Stat (CIM)
8	9101074-48	1/4in Q.C. Terminal
9	9021021-12	Cable Tie