

Installation Guide and Owner's Manual

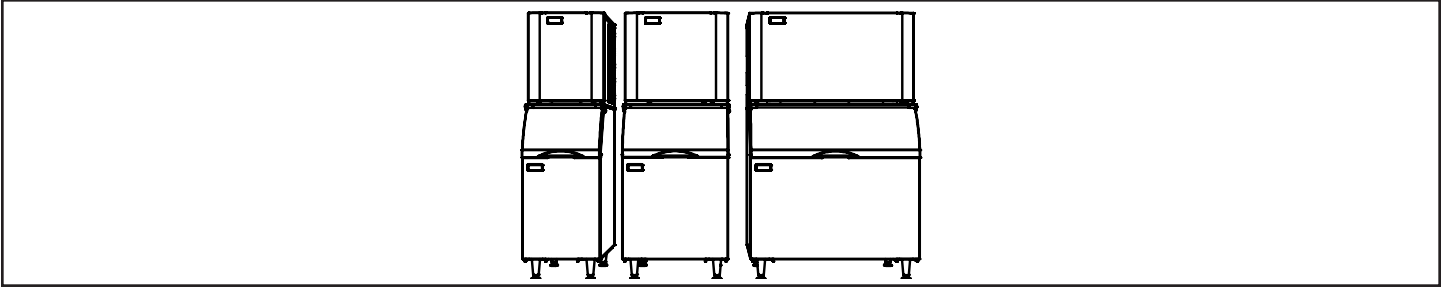
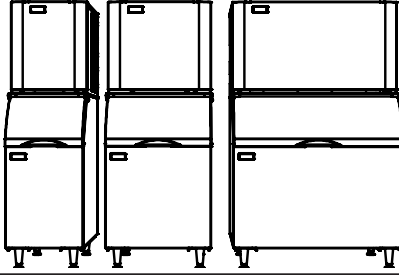


TABLE OF LANGUAGES

1. English - Installation Guide and Owner's Manual
2. French - Guide d'installation et manuel du propriétaire
3. Spanish - Guía de instalación y manual del propietario

Installation Guide and Owner's Manual

Original Instructions



WARNING

BEFORE PROCEEDING, VERIFY YOUR PRODUCT'S REFRIGERANT TYPE

YOUR PRODUCT MAY CONTAIN FLAMMABLE REFRIGERANT. IT IS IMPORTANT TO VERIFY THE TYPE OF REFRIGERANT YOUR PRODUCT CONTAINS IN ORDER TO TAKE APPROPRIATE SAFETY PRECAUTIONS.

- Refrigerant type is designated on the product's Serial Nameplate
- Refrigerant type is designated on the product's Specification Sheet
- Refrigerant type can be determined from the model number. The last two digits indicate the refrigerant type. For example, model CIM0320FA90 contains refrigerant R-290 (propane) as indicated by the "90" at the end of the model name. Model numbers containing "49" at the end contain refrigerant R-449A.

TABLE OF CONTENTS

ICE MAKER SAFETY	2
MODEL NOMENCLATURE	2
MODEL DIAGRAMS	3
EQUIPMENT RATINGS	6
INSTALLATION INSTRUCTIONS	6
REMOTE CONDENSER INSTALLATION	8
OPERATION.....	9
SERVICE	9
REPAIR	11
DISPOSAL.....	12
WARRANTY AND SERVICE PROVIDERS	12
CONTACT	12

ICE MAKER SAFETY

Your safety and the safety of others are very important.

Many important safety messages have been provided in this manual and on the appliance. Always read and obey all safety messages.



This is the safety alert symbol.

This symbol alerts you to potential hazards that can kill or hurt you and others.

Safety messages will follow the safety alert symbol and either the word "DANGER" OR "WARNING". These words mean:



DANGER

Indicates death or serious injury will result if proper precautions are not taken.



WARNING

Indicates death, serious injury, or property damage can result if proper precautions are not taken.



This is the Risk of Fire / Flammable Materials symbol.

This symbol alerts you to the presence of flammable materials.

When this symbol appears in this manual or on the ice maker, care should be taken to avoid causing a fire by igniting flammable material.



This is the Potable Water symbol.

This symbol indicates that connection to potable drinking water supply is required.



This is the IEC 60417-6412:2019-03 symbol.

This symbol indicates that the ice maker has a minimum room floor area for the location in which it is installed. If this symbol is on the icemaker it shall not be installed in a space with less than the indicated minimum room floor area.



DANGER

Please read these instructions completely before starting the installation or performing any service. Failure to follow the instructions and safety precautions in this manual can result in serious injury or death. Manufacturer assumes no responsibility for improperly installed equipment.

IMPORTANT SAFETY INSTRUCTIONS

WARNING: To reduce the risk of fire, electric shock, or injury to persons when using the ice maker, follow basic precautions, including the following:

- Children should be supervised to ensure that they do not play with the appliance.
- This appliance is not intended for use by persons (including children) with reduced physical, sensory, or mental capabilities, or lack of experience and knowledge, unless they have been given supervision or instruction concerning the use of the appliance by a person responsible for their safety.
- Do not store explosive substances such as aerosol cans with a flammable propellant in this appliance.
- **WARNING:** Do not use mechanical devices or other means to accelerate the defrosting process, other than those recommended by the manufacturer.
- **WARNING:** Do not use electrical appliances inside of the ice storage compartment unless they are recommended by the manufacturer.
- **WARNING:** The appliance shall be stored in a room without continuously operating ignition sources (for example: open flames, an operating gas appliance, or an operating electric heater).
- **WARNING:** Do not pierce or burn.
- **WARNING:** Be aware that refrigerants may not contain an odor.
- **NOTICE:** Servicing shall be performed only as recommended by the manufacturer.

SAVE THESE INSTRUCTIONS

FREIGHT CLAIMS

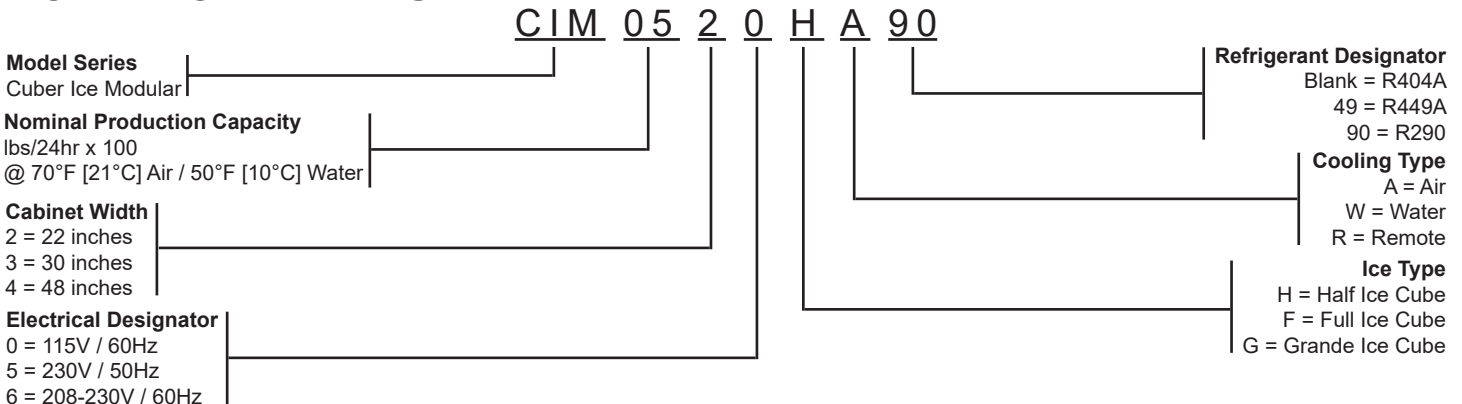
INSPECT PROMPTLY: This merchandise has been carefully inspected and packed in accordance with the carrier's packing specifications. Responsibility for safe delivery has been assumed by the carrier. If loss or damage occurs, you as the consignee must file a claim with the carrier and hold the container for carrier's inspection.

VISIBLE LOSS OR DAMAGE: Any external evidence of loss or damage must be fully described and noted on the freight bill or express receipt and signed by the carrier's agent. The claim should be filed on a form available from the carrier.

CONCEALED LOSS OR DAMAGE: If loss or damage does not appear until merchandise has been unpacked, make a written request for inspection by the carrier within five days of delivery date, then file a claim on a form from the carrier.

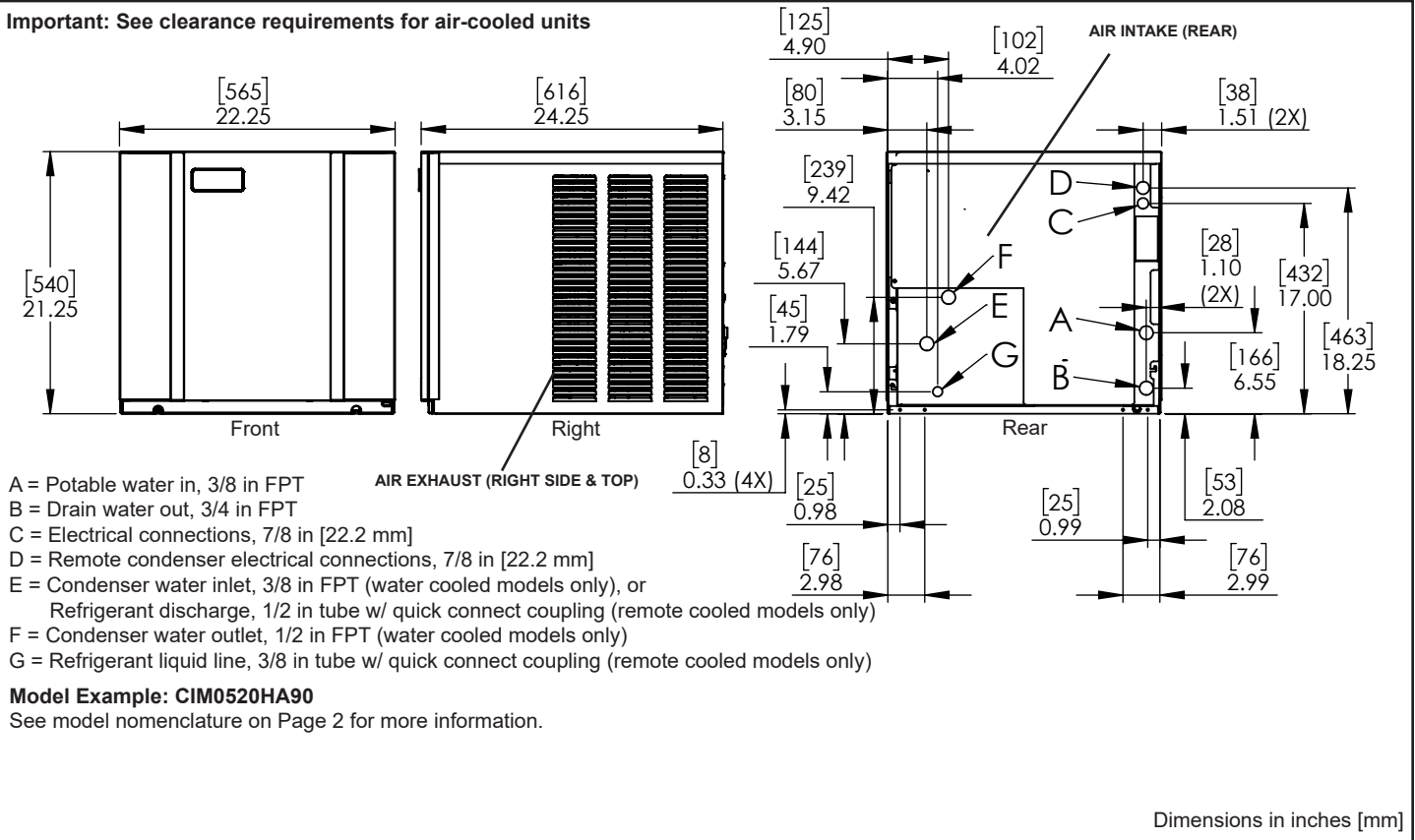
FILE CLAIMS WITHOUT DELAY—DO NOT RETURN DAMAGED GOODS TO MANUFACTURER

MODEL NOMENCLATURE



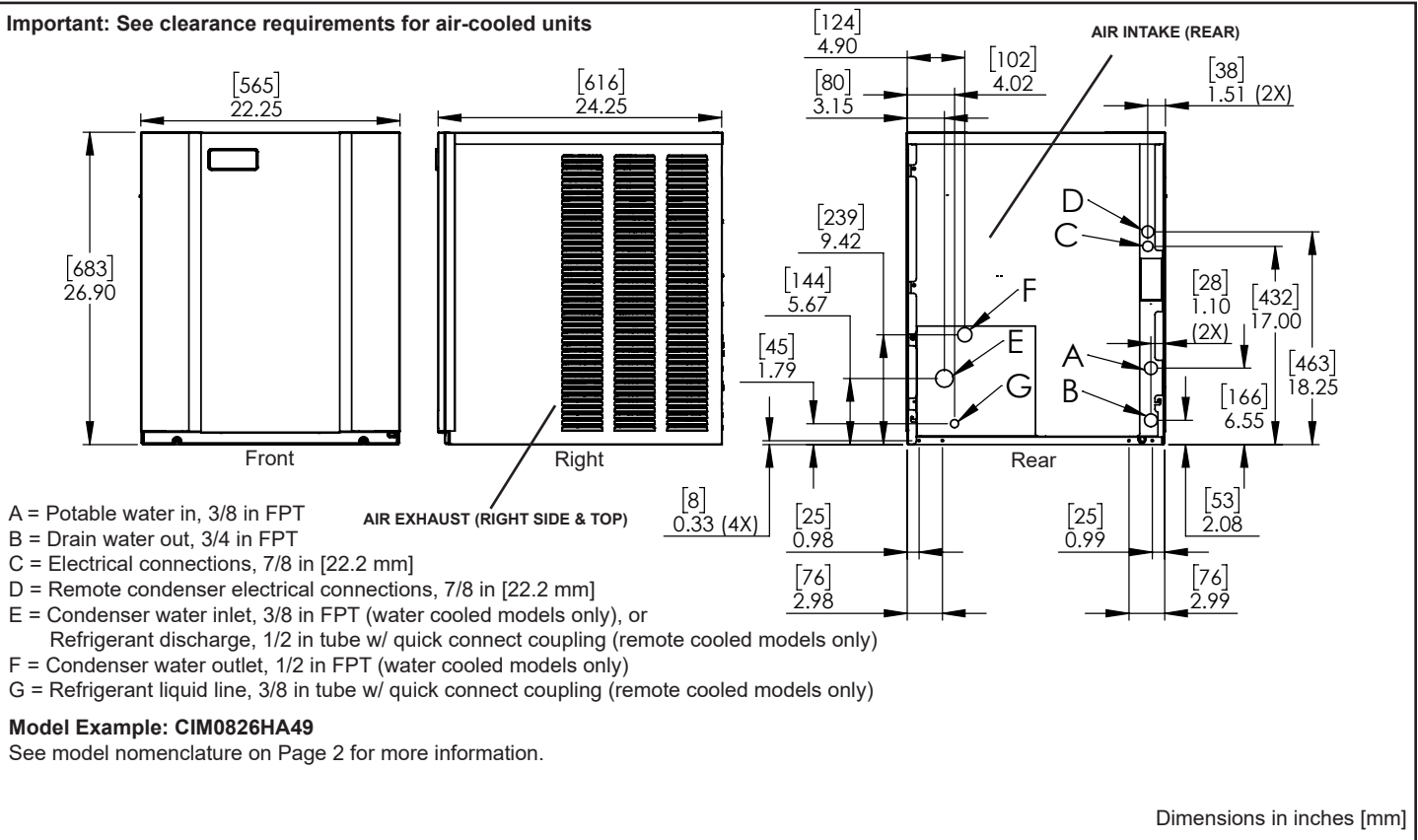
22 INCH MODELS, PRODUCTION CAPACITY 300 THROUGH 600 LBS/24H

Important: See clearance requirements for air-cooled units



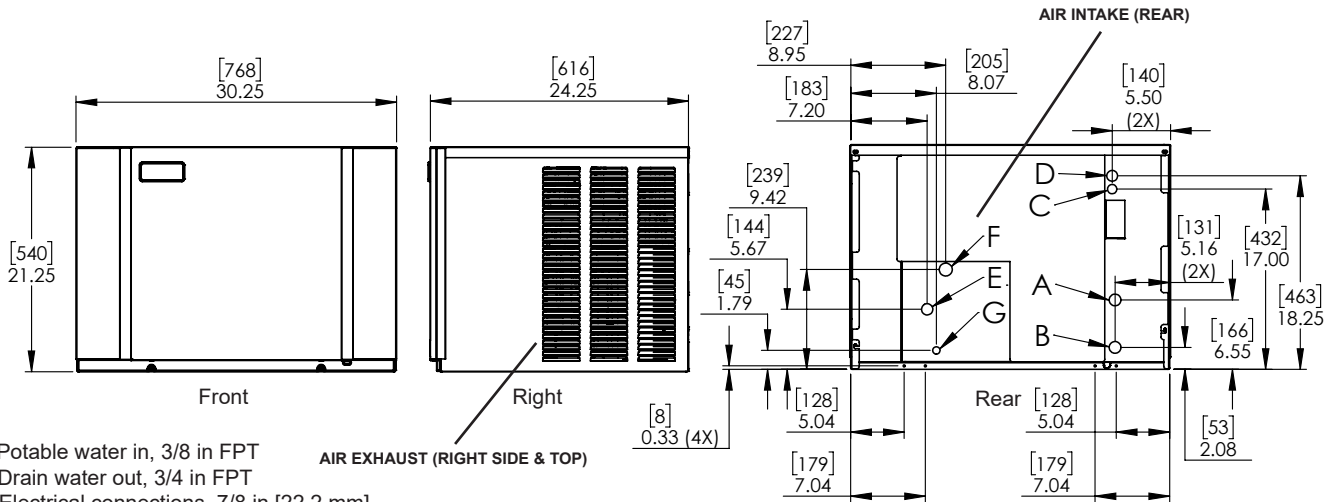
22 INCH MODELS, PRODUCTION CAPACITY 800 THROUGH 1100 LBS/24H

Important: See clearance requirements for air-cooled units



30 INCH MODELS, PRODUCTION CAPACITY 300 THROUGH 600 LBS/24H

Important: See clearance requirements for air-cooled units



- A = Potable water in, 3/8 in FPT
- B = Drain water out, 3/4 in FPT
- C = Electrical connections, 7/8 in [22.2 mm]
- D = Remote condenser electrical connections, 7/8 in [22.2 mm]
- E = Condenser water inlet, 3/8 in FPT (water cooled models only), or Refrigerant discharge, 1/2 in tube w/ quick connect coupling (remote cooled models only)
- F = Condenser water outlet, 1/2 in FPT (water cooled models only)
- G = Refrigerant liquid line, 3/8 in tube w/ quick connect coupling (remote cooled models only)

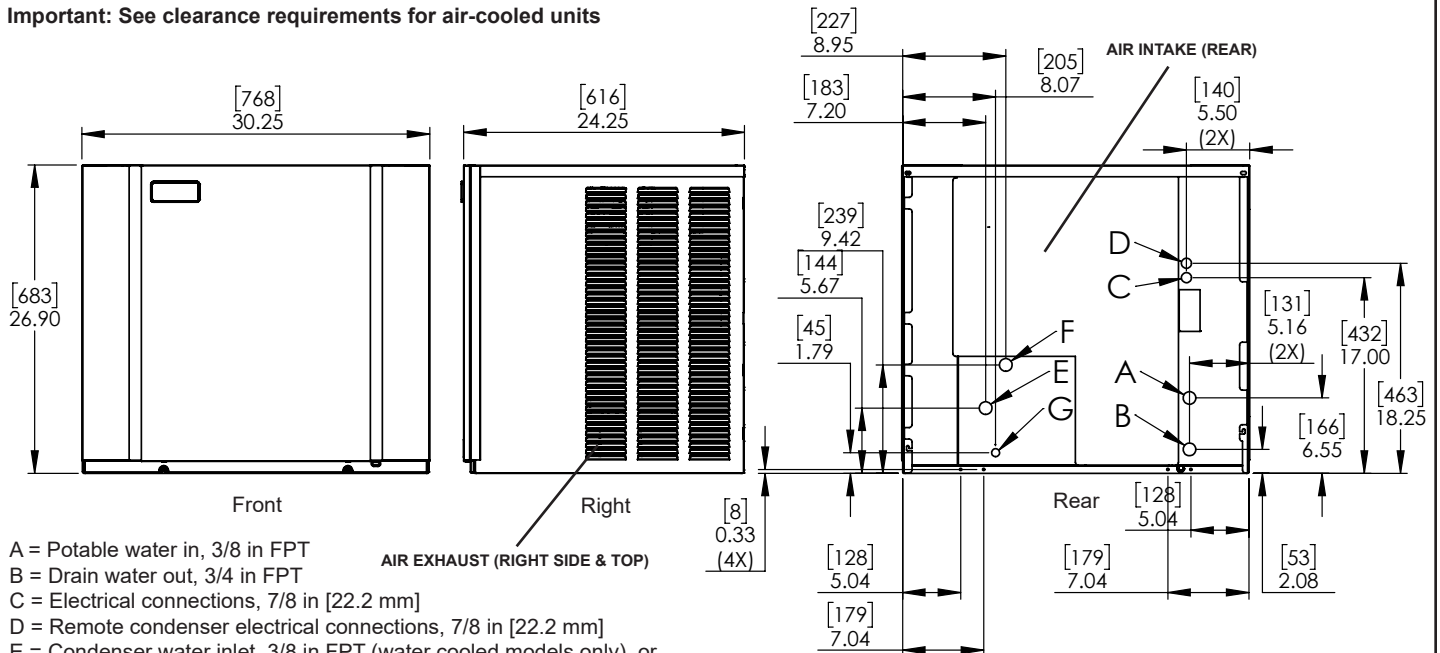
Model Example: CIM0330HA90

See model nomenclature on Page 2 for more information.

Dimensions in inches [mm]

30 INCH MODELS, PRODUCTION CAPACITY 800 THROUGH 1100 LBS/24H

Important: See clearance requirements for air-cooled units



- A = Potable water in, 3/8 in FPT
- B = Drain water out, 3/4 in FPT
- C = Electrical connections, 7/8 in [22.2 mm]
- D = Remote condenser electrical connections, 7/8 in [22.2 mm]
- E = Condenser water inlet, 3/8 in FPT (water cooled models only), or Refrigerant discharge, 1/2 in tube w/ quick connect coupling (remote cooled models only)
- F = Condenser water outlet, 1/2 in FPT (water cooled models only)
- G = Refrigerant liquid line, 3/8 in tube w/ quick connect coupling (remote cooled models only)

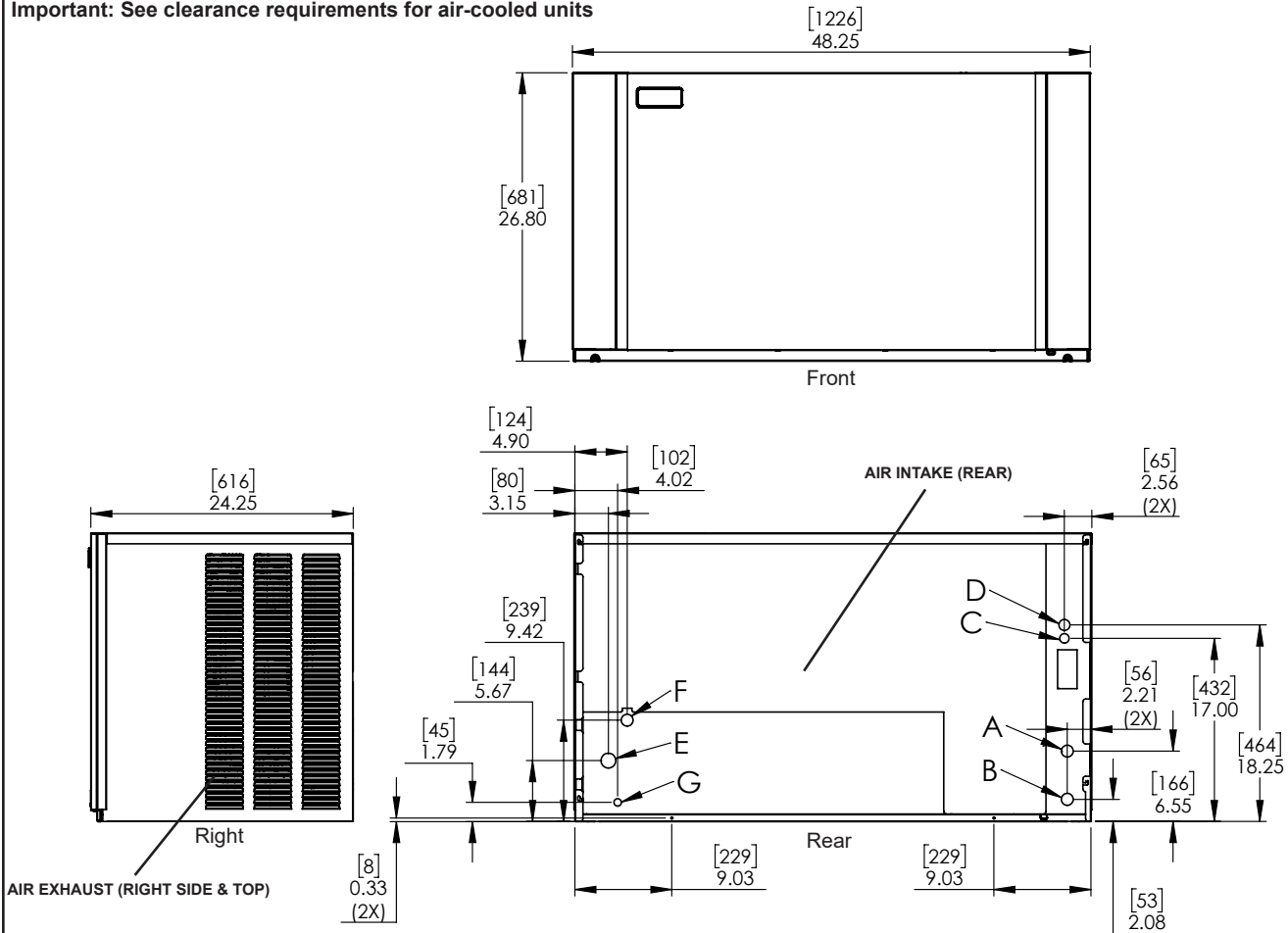
Model Example: CIM1136FA49

See model nomenclature on Page 2 for more information.

Dimensions in inches [mm]

48 INCH MODELS, PRODUCTION CAPACITY 1400 THROUGH 2000 LBS/24H

Important: See clearance requirements for air-cooled units



- A = Potable water in, 3/8 in FPT
- B = Drain water out, 3/4 in FPT
- C = Electrical connections, 7/8 in [22.2 mm]
- D = Remote condenser electrical connections, 7/8 in [22.2 mm]
- E = Condenser water inlet, 3/8 in FPT (water cooled models only), or
Refrigerant discharge, 1/2 in tube w/ quick connect coupling (remote cooled models only)
- F = Condenser water outlet, 1/2 in FPT (water cooled models only)
- G = Refrigerant liquid line, 3/8 in tube w/ quick connect coupling (remote cooled models only)

Model Example: CIM1446FA49

See model nomenclature on Page 2 for more information.

Dimensions in inches [mm]

EQUIPMENT RATINGS

- Ambient Air Temperature: 50-100 °F [10-37.7 °C]
- Remote Condenser Ambient Air Temperature: -20-120 °F [-29-49 °C]
- Supply Water Temperature: 40-100 °F [4.5-38 °C]
- Supply Water Pressure: 20-145 psi [0.14-1.00 MPa]
- Maximum Altitude: 14,000 ft [4,267 m]
- Water Inlet: 3/8 inch FPT Fitting
- Drain Water Outlet: 3/4 inch FPT Fitting
- R290 GWP: < 3
- R449A GWP (AR5): 1282

INSTALLATION INSTRUCTIONS

Unpack the Ice Maker

WARNING

Excessive Weight Hazard

Use two or more people to move and install or uninstall the appliance.

Failure to do so can result in back or other injury.

Remove the Packaging

- Remove the cardboard box from the ice maker
- Remove (2) shipping brackets which secure the ice maker to the pallet
- Remove the front panel of the ice maker by loosening (2) screws at the bottom of the panel. Lift the panel upwards to remove.
- Remove the tape securing the harvest curtain and splash guard during shipment.

Place Ice Maker on Bin

- Place the ice maker on the bin using two or more people. If using lifting equipment, support the ice maker from the bottom.
- Ensure ice maker front and bin front are flush. Ensure ice maker sides and bin sides are flush.
- Secure ice maker to bin using (2) bin straps on the back of the ice maker.

Location Requirements

WARNING

Fire Hazard

Keep clear of obstruction all ventilation openings in the appliance enclosure or in the structure for building-in.

Failure to do so can result in death, explosion, or fire.

IMPORTANT: Appliance is intended for indoor commercial use only. Appliances containing refrigerant R290 with charge exceeding 114 grams must not be installed in public corridors or lobbies. Appliance must be installed in accordance with ANSI/ASHRAE 15.

Ensure that the floor area is sufficient for the refrigerant charge or that the ventilation duct is assembled in a correct manner.

Check safety equipment before putting into service.

Installer must provide adequate clearance for proper ventilation to ensure optimum performance. There are (3) difference clearance options: Standard Exhaust, Top Exhaust Bias, and Side Exhaust Bias.

Standard Exhaust Clearances:

Rear: 6 in [152 mm] Top: 6 in [152 mm]
Left: 6 in [152 mm] Right: 6 in [152 mm]

Top Exhaust Bias Clearances:

Rear: 6 in [152 mm] Top: 6 in [152 mm]
Left: 6 in [152 mm] Right: 0 in [0 mm]

Side Exhaust Bias Clearances:

Rear: 6 in [152 mm] Top: 3 in [76 mm]
Left: 6 in [152 mm] Right: 6 in [152 mm]

>150g A3 Refrigerant System Charge Clearances:

Rear: 3 ft [1 m] Top: 19 in [483 mm]
Left: 3 ft [1 m] Right: 3 ft [1 m]

Make Electrical Connections

WARNING

Electrical Shock Hazard

Electrical connection must be made by authorized service personnel.

Failure to do so can result in death, fire, or electrical shock.

Ensure you have the proper electrical connections:

- Refer to the serial nameplate on the left side of the machine for the required supply voltage and circuit breaker size.
- Appliance is to be installed on a dedicated circuit.
- A means for disconnection from the supply mains must be incorporated in the fixed wiring in accordance with the wiring rules.

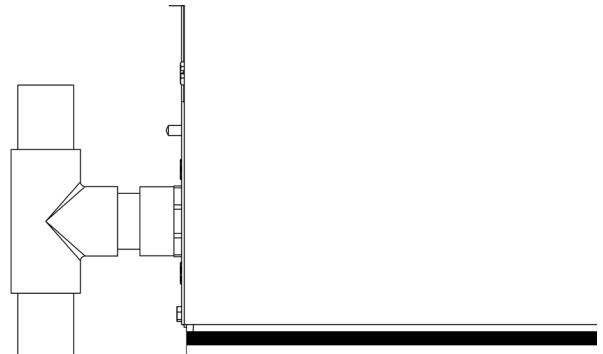
Make Water Supply Connections

- IMPORTANT:** Water supply connections are to be performed by authorized personnel only and must be in compliance with applicable plumbing codes. Connect to potable water supply only. A water filtration and treatment system should be installed with the ice machine. Refer to water filter specification sheet. Reverse Osmosis (RO) water is very acidic and will attack the evaporator and other metals in the machine. It can also promote the growth of microbial mold and slime. If Reverse Osmosis water is used, verify the pH is a neutral 7.0. Failure to do so may void your warranty. **NOTE:** If provided, use the new hose-set supplied with the appliance. Old hose-sets should not be reused.
- Provide two coils of extra tubing behind the machine so machine can be pulled away from the wall if service is needed.
 - Connect water supply tubing (minimum 3/8 inch outer diameter) to machine using 3/8 inch MPT Fitting and PTFE plumbers pipe tape.
 - Turn on water supply pressure. Check all connections for leaks.

Make Drain Line Connections

IMPORTANT: Water drain line connections are to be performed by authorized personnel only and must be in compliance with applicable plumbing codes.

- Connect drain line tubing (minimum 3/4 inch outer diameter) to machine using a 3/4 inch MPT Fitting and PTFE plumber's pipe tape. Insulate drain line to prevent condensation from forming. **NOTE:** Flexible tubing is not recommended. Vent drain line to prevent backup into machine.
- Route drain line to a floor drain. **NOTE:** The use of condensate pumps is not recommended.

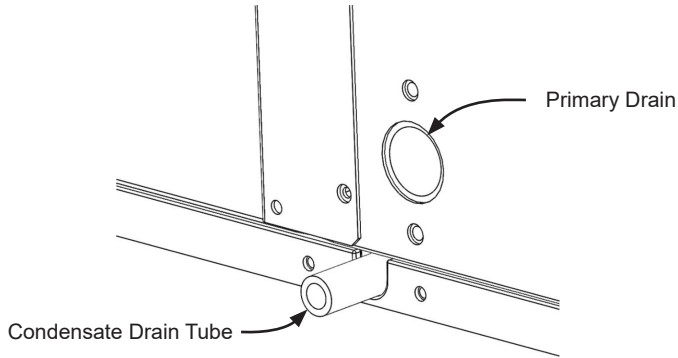


Drain Line Venting Example

Make Condensate Drain Connections

High humidity environments may require the use of the condensate drain connection.

- A 1/2 inch [12.7 mm] to 9/16 inch [14.3 mm] outside diameter tube is to be used as the condensate drain tube.
- Add silicone to the outside of the tube which will be inserted into the ice maker.
- Insert the tube approximately 1 inch [25 mm] between the condensate drain hole and ice maker frame located on the back of the ice maker, below the primary drain location. **NOTE:** If the tubing is difficult to insert, the screws holding the metal frame to the plastic base can be loosened. Re-tighten the screws once the tubing is fully inserted.
- Run the tubing to the drain, ensuring it is supported to prevent kinks or the drain line coming loose.
- Silicone around the outer edge of the connection as needed to ensure a proper seal.



REMOTE CONDENSER INSTALLATION

IMPORTANT: For proper operation of the ice maker, the following guidelines must be followed. Failure to do so may result in the loss of production capacity, premature part failure, and may void all warranties.

Ambient Temperature Limits

- Ambient Air Temperature: -20 to 120 °F [-28.9 to 48.9 °C]

Location Limits

Use the following information for planning the placement of the remote condenser relative to the ice machine.

The remote condenser location must not exceed **ANY** of the following. Configurations that do not meet these requirements must receive written authorization from the manufacturer.

- Maximum rise from the ice machine to the remote condenser: 35 physical feet [10.67 physical meters]
- Maximum drop from the ice machine to the remote condenser: 10 physical feet [3.05 physical meters]
- Maximum line set length: 75 physical feet [22.86 physical meters]
- Maximum calculated line set length: 100 feet [30.48 m]

Determine the calculated line set length using the formulas below:

$$\text{Calculated line set length} = \text{Drop} + \text{Rise} + \text{Horizontal Run}$$

$$\text{Drop} = \text{dd} \times 6.6 \quad \text{where dd} = \text{drop distance in ft or m}$$

$$\text{Rise} = \text{rd} \times 1.7 \quad \text{where rd} = \text{rise distance in ft or m}$$

$$\text{Horizontal Run} = \text{horizontal distance in ft or m}$$

IMPORTANT: Do not route a line set that rises, then falls, then rises. Do not route a line set that falls, then rises, then falls.

Remote Condenser Location

Pre-charged line sets and line set kits are available in 25 ft [7.62 m], 40 ft [12.19 m] or 75 ft [22.86 m] lengths to connect the ice machine and

the remote condenser. Select the best available location, protecting the remote condenser from extremes of dirt, dust, and sun. Installation must meet all applicable building codes. The services of a licensed electrician may be required.

Roof Attachment

Install and attach the remote condenser to the roof of the building using the methods and practices of construction that conform to the local building codes, including having a roofing contractor secure the remote condenser to the roof.

Electrical Connection

Have an electrician connect the remote condenser fan motor wires to the ice machine using the junction box at the back of the machine.

Refrigerant Line Set Routing

IMPORTANT: Do not connect pre-charged tubing until all routing and forming of the tubing has been completed. Do not kink or crimp refrigerant tubing. See the coupling instructions included with remote condenser for connecting information.

Refrigerant line sets consist of (2) tubes: a 3/8 inch [9.52 mm] diameter liquid line, and a 1/2 inch [12.7 mm] diameter discharge line. Have a roofing contractor cut a 2.50 inch [63.5 mm] hole for refrigerant lines. Verify that penetrations are in conformance with local codes. A separate hole may be required for electrical power.

Route refrigerant lines through the roof opening. Follow straight line routing whenever possible. Any excess tubing must remain within the building. Spiral the excess length of tubing inside the building. Use a horizontal spiral to avoid creating oil traps in the lines. Have the roofing contractor seal the holes in the roof per local codes.

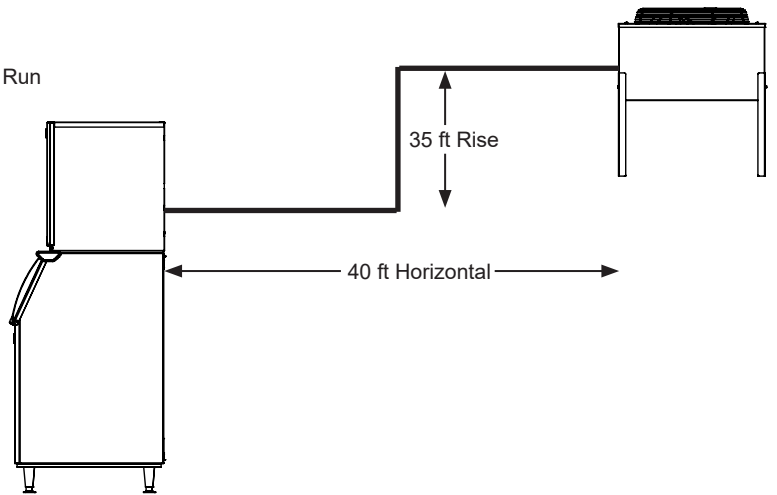
Equivalent Run Calculation Example: Rise

$$\text{Calculated line set length} = (\text{Rise} \times 1.7) + (\text{Drop} \times 6.6) + \text{Horizontal Run}$$

$$\text{Calculated line set length} = (35 \times 1.7) + (0 \times 6.6) + 40$$

$$\text{Calculated line set length} = 99.5 \text{ ft}$$

Calculated line set length must not exceed 100 ft



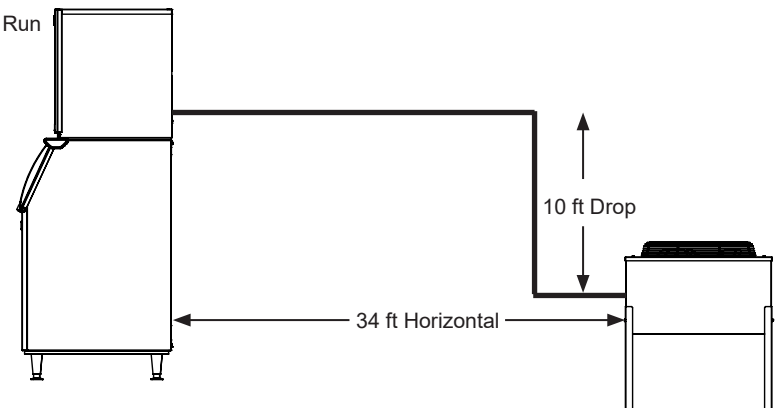
Equivalent Run Calculation Example: Drop

$$\text{Calculated line set length} = (\text{Rise} \times 1.7) + (\text{Drop} \times 6.6) + \text{Horizontal Run}$$

$$\text{Calculated line set length} = (0 \times 1.7) + (10 \times 6.6) + 34$$

$$\text{Calculated line set length} = 100 \text{ ft}$$

Calculated line set length must not exceed 100 ft



OPERATION

Startup

1. Ensure water supply pressure is ON. Ensure drain line has been routed to a floor drain. Turn on electricity supply to unit; indicator light near buttons should be steady red.
2. Quickly press and release ON/OFF button. Indicator light will change to steady blue. Machine is now ON and will begin producing ice.
3. Follow the sequence of operations described below. Check the operation of each component through the cycle as explained below.

Freeze Cycle Sequence of Operations

- After unit has been turned ON, the water inlet valve is energized. Water will fill the sump until the high float reaches its shut-off position.
- The hot gas valve will open for five seconds. The compressor and fan motor are energized, and after five seconds the hot gas valve will close. The evaporator plate is now being pre-chilled.
- After pre-chilling ends, the water pump will be energized. Water is now flowing across the evaporator plate.
- When the water in the sump reaches a pre-determined factory set-point, the unit will perform a twenty second shut-down of the water pump to prevent slushing from occurring in the sump.
- Water will continue to flow over the evaporator plate until the low float reaches its shut-off position, indicating the formation of a full slab of ice on the evaporator. The unit now enters a harvest cycle.

Harvest Cycle Sequence of Operations

- Upon entering a harvest cycle, the hot gas valve opens, the purge valve opens, and the water inlet valve opens. The water inlet valve will stay energized for additional time after the purge valve closes, partially filling the sump with water.
- The unit continues in this mode until the harvest assist motor pushes the ice slab off the evaporator plate.
- As the ice slab falls off the assembly, the slab contacts the curtain, which operates the curtain switch indicating that the slab has been harvested.
- If the curtain switch remains open after a factory pre-set time in the harvest cycle, the unit will shut down indicating a full ice bin. If the curtain switch remains open and closes with the harvest of the ice, the unit will restart the next freeze cycle.

Shutdown

For Normal Shutdown: Quickly press and release the ON/OFF button. Indicator light will change from steady blue to flashing blue. Machine will complete the current freeze cycle and harvest the ice, and then will shut down. Indicator light will change to steady red.

For Accelerated Shutdown: Press and hold ON/OFF button for three seconds. Indicator light will change from steady blue to flashing blue. Machine will immediately go into harvest, and will shutdown after harvest is completed. Indicator light will change to steady red.

For Immediate Shutdown: Press and hold ON/OFF button for six seconds. Machine will immediately shutdown. Indicator light will change from steady blue to steady red.

SERVICE

WARNING

Electrical Shock Hazard

Disconnect electrical supply from machine prior to performing any adjustments or repairs.

Failure to do so can result in death, fire, or electrical shock.

IMPORTANT: For proper and safe servicing, please read these instructions completely. All service work must be performed by authorized service personnel. Failure to perform the required maintenance at the specified frequency will void warranty coverage in the event of a related failure.

General Maintenance Procedure

To ensure economical, trouble-free operation of your machine it is recommended that the following maintenance items be performed every six months.

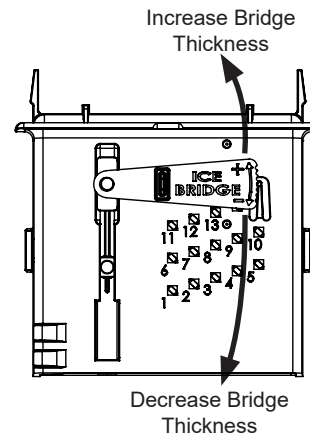
1. Clean the food-zone following the “Service: Cleaning Procedure” section. Cleaning should be performed a minimum of every six

months. Local water conditions may require that cleaning be performed more frequently.

2. Check and adjust ice bridge thickness as needed following the “Service: Adjust Ice Bridge Thickness” section.
3. Clean the condenser and condenser filter (when applicable) to ensure unobstructed airflow.
4. Check for leaks of any kind, such as water or refrigerant.
5. Check all electrical connections.
6. Check the water filter (if applicable) and replace if dirty or restricted.
7. Inspect the evaporator water distribution tube to ensure even distribution of water across the evaporator. If water flow is not even, clean or replace distribution tube.

Adjust Ice Bridge Thickness

1. Allow machine to produce at least one slab of ice.
2. On the second harvest cycle, measure ice bridge thickness across the middle of the ice slab. Proper bridge thickness, when measured in the middle of the slab should be 3/16 inch [5 mm] thick for CIM03 and 1/8 inch [3 mm] thick for all other machines. Alternatively, ice batches may be weighed to determine proper bridge thickness. See table below for proper ice batch weights.
3. If adjustment is necessary, small adjustments may be made using the ice bridge thickness adjustment arm on the float housing. See figure below. The float housing is located inside the water sump. Removal of the sump is not required for small adjustments.
4. Turn the adjustment clockwise to decrease the bridge thickness. Turn the adjustment counter-clockwise to increase the bridge thickness. You will hear a click. Note: It's recommended adjustments be made one or two “clicks” at a time.
5. For larger adjustments, reference service manual.



Model	Batch Weight (lbs)		
	Half Cube	Full Cube	Grande Cube
CIM03	2.9-3.15	3.25-3.5	-
CIM04/CIM05/CIM06	4.9-5.15	5.5-5.8	-
CIM08/CIM11	6.9-7.4	7.9-8.3	8.4-8.8
CIM14/CIM20	13.8-14.8	15.8-16.6	-

Cleaning Overview

WARNING

Skin Corrosion/Irritation Hazard

Always wear protective gloves, protective clothing, and eye protection while handling descaling and sanitizing solutions.

Failure to do so can result in skin irritation or eye damage.

Proper cleaning of an ice machine requires two parts: Descaling and Sanitizing.

Descaling should be scheduled at a minimum of twice per year, but no more than once per month. Descaling dissolves the mineral deposits on the evaporator and on other surfaces. It removes scale, calcium, lime, and other mineral buildup. Ice-O-Matic requires a “nickel-safe” cleaner such as Nu-Calgon Nickel-Safe Ice Machine Cleaner diluted

per manufacturer's instructions. At dilution, the chemical composition is citric acid 5-10%. Refer to manufacturer's website for approved chemical formulations and proper pH balance.

Sanitizing should be performed after each descaling, but no more than once per month. Sanitizing disinfects the machine and removes microbial growth including mold and slime. Ice-O-Matic requires a "nickel-safe" sanitizer such as Nu-Calgon IMS-III. Refer to manufacturer's website for approved chemical formulations and proper pH balance.

IMPORTANT: Do not mix descaler and sanitizer solutions together. Electrical power must be ON to complete the cleaning cycle. Take precautions while working inside the machine.

IMPORTANT: Never use cleaning or sanitizing solutions that contain nitric acid, sulfuric acid, hydrochloric acid, carbolic acid, acetic acid, diluted acetic acid, non-food-grade vinegar (concentration of acetic acid greater than 6% and does not contain enzymes created in processing), bleach, chlorine dioxide, or salts such as potassium chloride (potassium salts) or sodium chloride. Check the label or the manufacturer's safety data sheets (SDS) to be sure. Use of these chemicals can attack the surface of the evaporator and other metals causing corrosion and flaking, and will void the warranty.

Cleaning Procedure

1. Remove all ice from the bin to prevent contamination
2. Press and hold the ON/OFF button for three seconds to initiate a harvest cycle. Status indicator light will change from steady blue to flashing blue.
3. Once the machine has completed its harvest cycle, the status indicator light will change to solid red, indicating the machine is OFF.
4. Quickly press and release the clean button to start the process. Status indicator lights will be solid red, and flashing yellow during the cleaning cycle.
5. Wait for the water to begin flowing over the evaporator plate. Carefully pour the appropriate amount of descaler (see table below) into the sump.
6. The machine will remain in the WASH cycle for 15 minutes. Following the wash cycle, the machine will purge and re-fill the sump with fresh water and then rinse for one minute. It will then repeat purge, fill, rinse. When the cleaning cycle has completed, the indicator lights will be steady red and steady yellow. Quickly press and release the clean button to return to OFF mode, where indicator light will be steady red only.
7. Remove the curtain from the sump. Using the proper concentration of solution and a soft cloth, wipe down the evaporator, water spillway, water distribution tube, curtain, and all splash surfaces. Verify that all residue and residual minerals have been removed.
8. If a full clean of water components is required, this can be done by referring to the service manual for water system component breakdown. It's recommended that a full clean is performed by a qualified service agent.
9. Re-assemble all ice machine water system components in reverse order.
10. Sanitizing the ice machine is recommended after descaling. Repeat this same process using sanitizer solution at the correct ratio (see table).
11. It is recommended to clean (descale and sanitize) the ice bin after cleaning the machine.
12. When completed, quickly press and release the ON/OFF button to

return the ice machine to the ice making cycle.

Cleaning Stainless Steel and Aluminum

Commercial grades of stainless steel and aluminum are susceptible to rusting or corrosion if not properly maintained. It is important that you properly care for the stainless steel and aluminum surfaces of your ice machine to avoid the possibility of rust and corrosion. It's recommended that you clean stainless steel and aluminum surfaces once per week to avoid the build-up of hard, stubborn stains. Use the following guidelines to keep your machine looking like new.

IMPORTANT: Do not use abrasive tools to clean the metal surface. Do not use steel wool, abrasive sponge pads, wire brushes, or scrapers to clean the metal. Do not use cleaners that use chlorine or chlorides. Do not use bleach products to clean the metal surfaces.

1. Using a non-abrasive cloth or sponge and an appropriate cleaning agent (see table below), thoroughly wash stainless steel and aluminum surfaces, wiping in the same direction as the grain.
2. Rinse with clean water and immediately wipe dry.

For Routine Cleaning: Use a mild dish soap, ammonia, glass cleaner, mild detergent with water, or other household kitchen cleaning chemicals approved for metal surfaces. Apply with a clean cloth or sponge. Rinse with clean water and wipe dry.

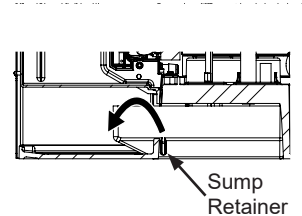
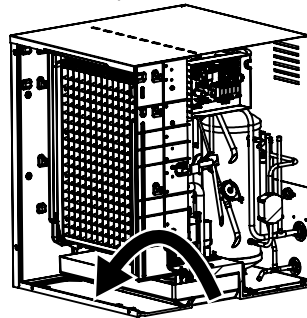
For Removing Grease or Fatty Acids: Use oven cleaners. Apply generously; allow to stand for 15-20 minutes. Rinse with clean water. Repeat as required.

For Removing Hard Water: Use vinegar. Swab or wipe with a clean cloth. Rinse with water and wipe dry.

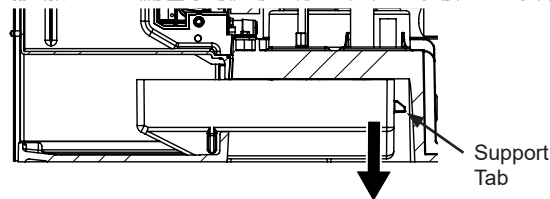
Sump Removal Procedure

It may be necessary to remove the water sump for proper cleaning and sanitation, or for ice bridge thickness adjustment.

1. Lift the sump and pull forward. This will allow the retaining features on the sump to clear the frame.

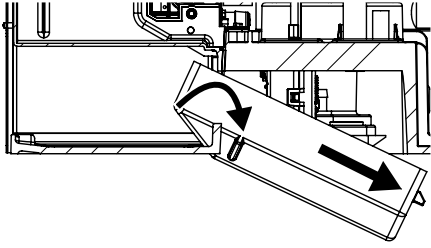


2. Once the support tabs are fully removed from the frame, let the back of the sump fall downward.



Model	Sump Volume	Nu-Calgon Nickel Safe Ice Machine Cleaner Descaler Concentration Ratio 5 fl. oz. per 1 gal water (39 mL per 1 L water)	Nu-Calgon IMS-III Sanitizer Concentration Ratio 1.6 fl. oz. per 1 gal water (12.5 mL per 1 L water)
CIM03	0.9 Gal (3.4 L)	Add 4.5 fl. oz. (133 mL)	Add 1.5 fl. oz. (44 mL)
CIM04/CIM05/CIM06	1.2 Gal (4.5 L)	Add 6 fl. oz. (177 mL)	Add 2 fl. oz. (59 mL)
CIM08/CIM11	1.1 Gal (4.2 L)	Add 5.5 fl. oz. (164 mL)	Add 1.8 fl. oz. (53 mL)
CIM14/CIM20	1.8 Gal (6.8 L)	Add 9.0 fl. oz. (265 mL)	Add 2.9 fl. oz. (85 mL)

- Similar to Step 1, lift the front of the sump and push it backward to allow the retaining features on the sump to clear the frame. Push down towards the back until the sump is free from the frame. Turn the sump sideways and remove it through the ice drop zone.



- To re-install, reverse steps 1 through 3 and tuck the water pump tube into the sump after the sump is in place.

REPAIR

WARNING

Flammable refrigerant may be used.

Follow handling instructions carefully in compliance with Federal or Local regulations.

Ensure proper ventilation in the repair location.

Be aware that malfunction of the equipment can be caused by refrigerant loss and a refrigerant leak is possible.

Discharge capacitors in a way that won't generate any spark.

Failure to do so can result in death, explosion, or fire.

- All maintenance staff and others working in the local area shall be instructed on the nature of work being carried out. Work in confined spaces shall be avoided.
- The area will be checked with an appropriate refrigerant detector prior to and during work, to ensure the technician is aware of potentially toxic or flammable atmospheres. Ensure the leak detection equipment being used is suitable for use with all applicable refrigerants, i.e. non-sparking, adequately sealed, or intrinsically safe.
- Use of dyes to detect refrigerant leaks is prohibited and will void any warranties.
- If any hot work is to be conducted on the refrigerant equipment or any associated parts, appropriate fire extinguishing equipment shall be available on hand. A dry chemical or CO₂ fire extinguisher should be adjacent to the charging area.
- No person carrying out work in relation to a refrigerating system which involves exposing any pipe work shall use any sources of ignition in such a manner that it may lead to the risk of fire or explosion. All possible ignition sources, including cigarette smoking, should be kept sufficiently far away from the site of installation, repairing, removing, and disposal, during which refrigerant can possibly be released to the surrounding space. Prior to work taking place, the area around the equipment shall be surveyed to make sure that there are no flammable hazards or ignition risks. "No Smoking" signs shall be displayed.
- Ensure the area is in the open or that it is adequately ventilated before breaking into the system or conducting any hot work. A degree of ventilation shall continue during the period that the work is carried out. The ventilation should safely disperse any released refrigerant and preferably expel it externally into the atmosphere.
- Where electrical components are being changed, they shall be fit for the purpose and to the correct specification. At all times, the manufacturer's maintenance and service guidelines shall be followed. If in doubt contact the manufacturer's technical service department for assistance.
- The following checks shall be applied to installations using flammable refrigerants:
 - The actual refrigerant charge is in accordance with the room size within which the refrigerant containing parts are installed.
 - Marking to the equipment continues to be visible and legible.

- Markings and signs that are illegible shall be corrected.
- Repair and maintenance of electrical components shall include initial safety checks and component inspection procedures. If a fault exists that could compromise safety, then no electrical supply shall be connected to the circuit until it is satisfactorily dealt with. If the fault cannot be corrected immediately but it is necessary to continue operation, an adequate temporary solution shall be used. This shall be reported to the owner of the equipment so all parties are advised. Initial safety checks include:
 - That capacitors are discharged: this shall be done in a safe manner to avoid possibility of sparking.
 - That no live electrical components and wiring are exposed while charging, recovering, or purging the system.
 - That there is continuity of earth bonding.
- During repairs to sealed components, all electrical supplies shall be disconnected from the equipment being worked upon prior to any removal of sealed covers, etc. If it is absolutely necessary to have an electrical supply to equipment during servicing, then a permanently operating form of leak detection shall be located at the most critical point to warn of a potentially hazardous situation.
- Particular attention shall be paid to the following to ensure that by working on electrical components, the casing is not altered in such a way that the level of protection is affected. This shall include damage to cables, excessive number of connections, terminals not made to original specification, damage to seals, incorrect fitting glands, etc. Ensure the apparatus is mounted securely. Ensure that seals or sealing materials have not degraded to the point that they no longer serve the purpose of preventing the ingress of flammable atmospheres. Replacement parts shall be in accordance with the manufacturer's specifications.
- Do not apply any permanent inductive or capacitance loads to the circuit without ensuring that this will not exceed the permissible voltage and current for the equipment in use.
- Intrinsically safe components are the only types that can be worked on while live in the presence of a flammable atmosphere. Any testing or measurement devices will be calibrated and set correctly for the application.
- Replace components only with parts specified by the manufacturer. Other parts can result in the ignition of refrigerant in the atmosphere of from a leak.
- Check that cabling will not be subject to wear, corrosion, excessive pressure, vibration, sharp edges, or any other adverse environmental effects. The check shall also take into account the effects of aging or continual vibration from sources such as compressors or fans.
- Under no circumstances shall potential sources of ignition be used in the searching for or detection of refrigerant leaks. A halide torch (or any other detector using a naked flame) shall not be used.
- The following leak detection methods are deemed acceptable for all refrigerant systems:
 - Electronic leak detectors may be used to detect refrigerant leaks but, in the case of flammable refrigerants, the sensitivity might not be adequate, or might need re-calibration. Detection equipment shall be calibrated in a refrigerant free area. Ensure that the detector is not a potential source of ignition and is suitable for the refrigerant used. Leak detection equipment shall be set at a percentage of the LFL of the refrigerant and shall be calibrated to the refrigerant employed, and the appropriate percentage of gas (25% maximum) is confirmed.
 - Leak detection fluids are also suitable for use with most refrigerants but the use of detergents containing chlorine shall be avoided as the chlorine can react with the refrigerant and corrode the copper pipe-work. Examples of leak detection fluids are the bubble method and fluorescent agents.
- If a leak is suspected, all naked flames shall be removed/ extinguished.
- If a leakage of refrigerants is found which requires brazing, all of the refrigerant shall be recovered from the system or vented outside (if allowed by local and national codes).
- When Brazing is required, the following procedures shall be carried out in the following order:
 - Safely remove the refrigerant following local and national regulations. If recovery is not required by national regulations, drain the refrigerant to the outside. Take care that the drained

- refrigerant will not float back into the building.
- 2. Purge the refrigerant circuit with oxygen free nitrogen for 5 minutes.
- 3. Evacuate again.
- 4. Remove parts to be replaced by cutting and brazing.
- 5. Purge the braze joint with nitrogen during the brazing procedure required for repair.
- 6. Carry out a leak test before charging with refrigerant.
- Check safety equipment before putting into service.

Winterizing/Decommissioning Procedure

IMPORTANT: Whenever the ice machine is taken out of operation for the winter months, the procedure below must be performed. Failure to do so may cause serious damage and will void all warranties.

1. Turn off water to the machine.
2. Make sure all ice is off of the evaporator. If ice is being made, initiate harvest by pressing the ON/OFF button for approximately three seconds. The unit will shut off automatically following the harvest.
3. Disconnect the tubing between the water pump discharge and the water distribution tube. Drain any water.
4. Remove and discard all of the ice in the ice bin.

DISPOSAL



WARNING

Fire or Explosion Hazard

Flammable refrigerant may be used.

Follow handling instructions carefully in compliance with Federal or Local regulations.

Dispose of properly in accordance with Federal or Local regulations.

IMPORTANT: This appliance contains refrigerant and must be disposed of in accordance with applicable national, state, and local codes and regulations. Refrigerant must be recovered by properly certified service personnel.

- Ensure sufficient ventilation at the working place
- Remove the refrigerant. If recovery is not required by national regulations, drain the refrigerant to the outside. Take care that the drained refrigerant will not cause any danger. In doubt, one person should guard the outlet. Take special care that drained refrigerant will not float back into the building.
- When flammable refrigerants are used:
 1. Evacuate the refrigerant circuit.
 2. Purge the refrigerant with oxygen free nitrogen.
 3. Evacuate again.
 4. Cut the compressor and drain the oil.

ICE-O-MATIC WARRANTY

Every Ice-O-Matic ice maker is backed by a warranty that provides both parts and labor coverage. To view the warranty details, register products, or check your warranty status visit www.iceomatic.com/warranty.

FINDING A SERVICE PROVIDER

To find a service provider, please visit www.iceomatic.com.

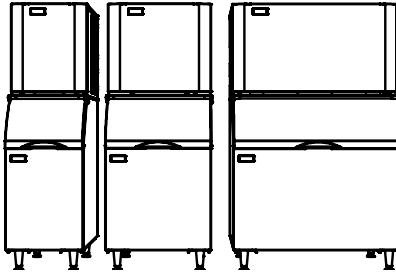
CONTACT US

For warranty service, call 1-855-832-4466, or visit our website at www.iceomatic.com.

Mile High Equipment, LLC
 11100 E 45th Ave
 Denver, CO 80239
 United States of America

Guide d'installation et Manuel de l'utilisateur

Traduction des instructions originales



AVERTISSEMENT

AVANT DE POURSUIVRE, VÉRIFIEZ LE TYPE DE FLUIDE FRIGORIGÈNE DE VOTRE PRODUIT

VOTRE PRODUIT CONTIENT PEUT-ÊTRE UN FLUIDE FRIGORIGÈNE INFLAMMABLE. IL EST IMPORTANT DE VÉRIFIER LE TYPE DE FLUIDE FRIGORIGÈNE QUE CONTIENT VOTRE PRODUIT AFIN DE PRENDRE LES MESURES DE SÉCURITÉ APPROPRIÉES.

- Le type de fluide frigorigère est indiqué sur la plaque signalétique du produit
- Le type de fluide frigorigère est indiqué sur la Fiche technique du produit
- Il est possible de déterminer le type de fluide frigorigère à partir du numéro de modèle. Les deux derniers chiffres indiquent le type de fluide frigorigère. Par exemple, le modèle CIM0320FA90 contient du fluide frigorigère R-290 (propane) comme l'indique le nombre « 90 » à la fin du nom du modèle. Les modèles dont le numéro se termine par « 49 » contiennent du fluide frigorigère R-449A.

TABLE DES MATIÈRES

SÉCURITÉ DE LA MACHINE À GLAÇONS.....	2
NOMENCLATURE DES MODÈLES.....	2
DIAGRAMME DES MODÈLES	3
CARACTÉRISTIQUES DE L'ÉQUIPEMENT.....	6
INSTRUCTIONS D'INSTALLATION	6
INSTALLATION DU CONDENSATEUR DÉPORTÉ	8
UTILISATION.....	9
ENTRETIEN	9
RÉPARATION	11
ÉLIMINATION	12
GARANTIE ET SERVICES DE MAINTENANCE	12
CONTACT	12

SÉCURITÉ DE LA MACHINE À GLAÇONS

Votre sécurité et celle des autres personnes sont très importantes.

De nombreux messages de sécurité importants figurent dans ce manuel et sur l'appareil. Lisez et respectez toujours tous les messages de sécurité.



Il s'agit du symbole d'alerte de sécurité.

Ce symbole vous avertit des dangers potentiels qui peuvent vous tuer ou vous blesser, ainsi que d'autres personnes.

Les messages de sécurité sont suivis du symbole d'alerte de sécurité et du mot « DANGER » OU « AVERTISSEMENT ». Ces mots signifient :



DANGER

Indique que la mort ou des blessures graves peuvent survenir si les précautions adéquates ne sont pas prises.



AVERTISSEMENT

Indique que la mort, des blessures graves ou des dommages matériels peuvent survenir si les précautions adéquates ne sont pas prises.



Il s'agit du symbole de risque d'incendie / de matières inflammables.

Ce symbole vous avertit de la présence de matériaux inflammables.

Lorsque ce symbole apparaît dans ce manuel ou sur la machine à glaçons, il faut veiller à ne pas provoquer d'incendie en enflammant des matériaux inflammables.



Il s'agit du symbole d'eau potable.

Ce symbole indique qu'il est nécessaire de se raccorder à un réseau d'eau potable.



Il s'agit du symbole IEC 60417-6412:2019-03.

Ce symbole indique que la machine à glaçons a une surface au sol minimale pour le lieu d'installation. Si ce symbole figure sur la machine à glaçons, elle ne doit pas être installée dans un espace dont la surface au sol est inférieure à la surface minimale indiquée.



DANGER

Veillez lire attentivement ces instructions avant de commencer l'installation ou d'effectuer toute opération d'entretien. Le non-respect des instructions et des mesures de sécurité figurant dans ce manuel peut entraîner des blessures graves, voire mortelles. Le fabricant n'assume aucune responsabilité en cas d'installation incorrecte de l'équipement.

CONSIGNES DE SÉCURITÉ IMPORTANTES

AVERTISSEMENT : Pour réduire les risques d'incendie, d'électrocution ou de blessure lors de l'utilisation de la machine à glaçons, il convient de prendre des précautions élémentaires, notamment les suivantes :

- Les enfants doivent être surveillés pour s'assurer qu'ils ne jouent pas avec l'appareil.
- Cet appareil n'est pas destiné à être utilisé par des personnes (y compris des enfants) dont les capacités physiques, sensorielles ou mentales sont réduites, ou qui manquent d'expérience et de connaissances, à moins qu'elles n'aient été surveillées ou instruites quant à l'utilisation de l'appareil par une personne responsable de leur sécurité.
- N'entreposez pas de substances explosives telles que des bombes aérosols contenant un agent propulseur inflammable dans cet appareil.
- **AVERTISSEMENT :** N'utilisez pas de dispositifs mécaniques ni d'autres moyens pour accélérer le processus de dégivrage, autres que ceux qui sont recommandés par le fabricant.
- **AVERTISSEMENT :** N'utilisez pas d'appareils électriques à l'intérieur du compartiment à glaçons, à moins qu'ils ne soient recommandés par le fabricant.
- **AVERTISSEMENT :** L'appareil doit être entreposé dans une pièce sans sources d'inflammation en fonctionnement continu (par exemple : flammes nues, appareil à gaz en fonctionnement ou appareil de chauffage électrique en fonctionnement).
- **AVERTISSEMENT :** Ne percez pas et ne brûlez pas l'appareil.
- **AVERTISSEMENT :** Sachez que les fluides frigorigènes peuvent ne pas avoir d'odeur.
- **ATTENTION :** L'entretien ne doit être effectué que selon les recommandations du fabricant.

CONSERVEZ CES INSTRUCTIONS

RÉCLAMATIONS CONCERNANT LE FRET

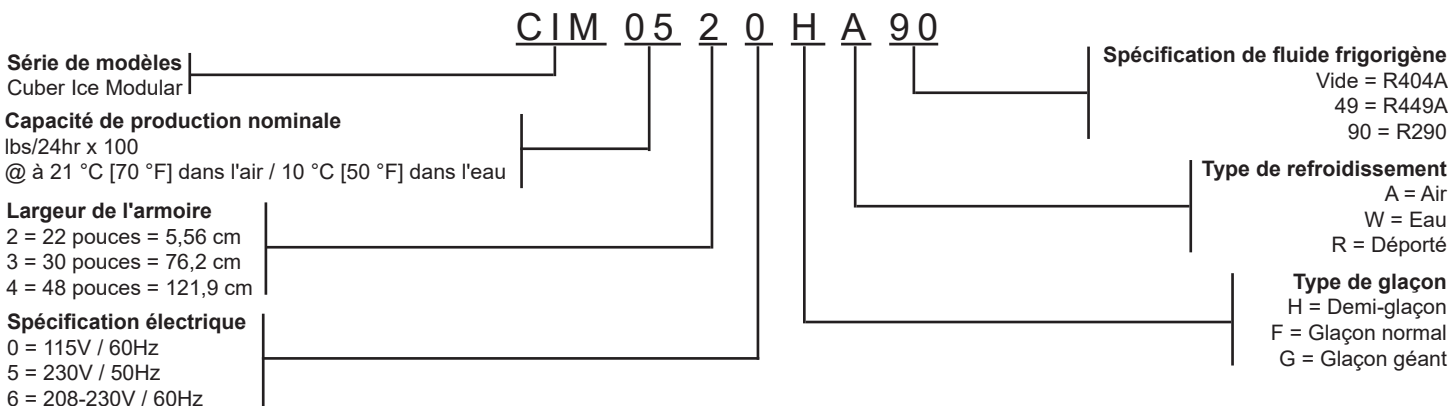
INSPECTEZ PROMPTEMENT LA LIVRAISON : Cette marchandise a été soigneusement inspectée et emballée conformément aux spécifications d'emballage du transporteur. La responsabilité de la sécurité de la livraison incombe au transporteur. En cas de perte ou de dommage, vous devez, en tant que destinataire, déposer une réclamation auprès du transporteur et conserver le conteneur pour l'inspection par le transporteur.

PERTE OU DOMMAGE VISIBLE : Toute preuve extérieure de perte ou de dommage doit être décrite et mentionnée en détail sur la facture de fret ou le récépissé express et signée par l'agent du transporteur. La réclamation doit être rédigée sur un formulaire disponible auprès du transporteur.

PERTE OU DOMMAGE CACHÉ : Si la perte ou le dommage n'apparaît qu'après le déballage de la marchandise, demandez par écrit une inspection par le transporteur dans les cinq jours suivant la date de livraison, puis déposez une réclamation sur le formulaire du transporteur.

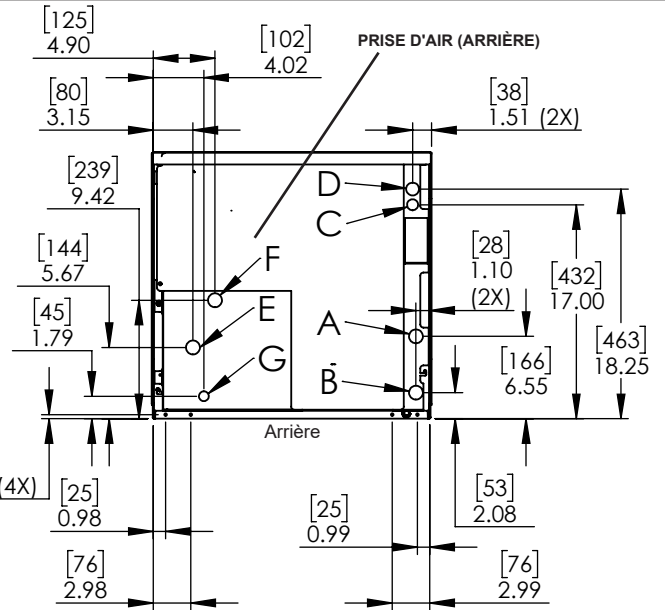
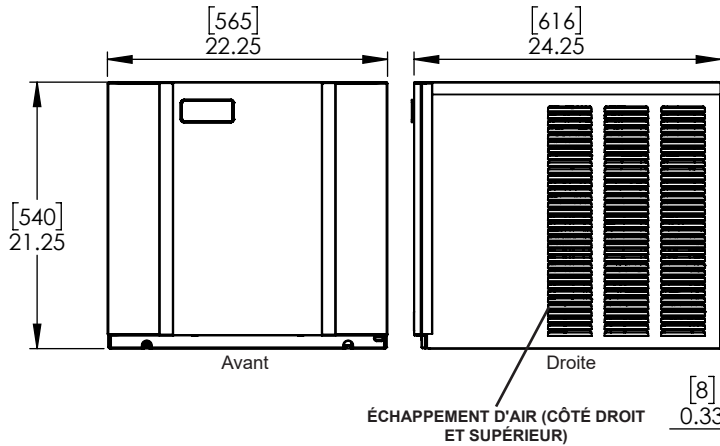
DÉPOSEZ LES RÉCLAMATIONS SANS DÉLAI – NE RENVOYEZ PAS LES PRODUITS ENDOMMAGÉS AU FABRICANT

NOMENCLATURE DES MODÈLES



MODÈLES DE 56 CM (22 POUCES), CAPACITÉ DE PRODUCTION DE 135 À 270 KG/24H (300 À 600 LBS/24H)

Important : Consultez les exigences d'espace libre pour les unités refroidies par air



A = Entrée d'eau potable, 3/8 po. FPT

B = Évacuation de l'eau, 3/4 po. FPT

C = Connexions électriques, 22,2 mm [7/8 po.]

D = Connexions électriques du condensateur déporté, 22,2 mm [7/8 po.]

E = Entrée d'eau du condensateur, 3/8 po. FPT (modèles refroidis à l'eau uniquement), ou

Refoulement du fluide frigorigène, tubulure de 1/2 po. avec raccord rapide (modèles refroidis par un condensateur déporté uniquement)

F = Sortie d'eau du condensateur, 1/2 po. FPT (modèles refroidis à l'eau uniquement)

G = Conduite de fluide frigorigène, tubulure de 3/8 po. avec raccord rapide (modèles refroidis par un condensateur déporté uniquement)

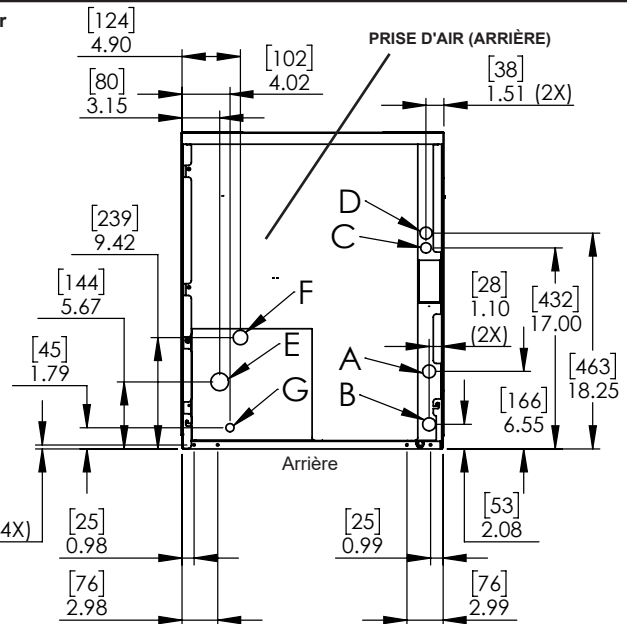
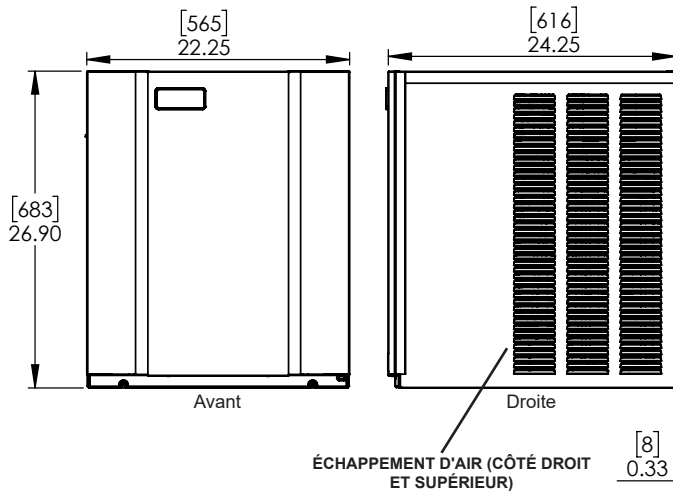
Exemple de modèle : CIM0520HA90

Voir la nomenclature des modèles à la page 2 pour plus d'informations.

Dimensions en pouces [mm]

MODÈLES DE 22 POUCES, CAPACITÉ DE PRODUCTION DE 800 À 1100 LBS/24H

Important : Consultez les exigences d'espace libre pour les unités refroidies par air



A = Entrée d'eau potable, 3/8 po. FPT

B = Évacuation de l'eau, 3/4 po. FPT

C = Connexions électriques, 22,2 mm [7/8 po.]

D = Connexions électriques du condensateur déporté, 22,2 mm [7/8 po.]

E = Entrée d'eau du condensateur, 3/8 po. FPT (modèles refroidis à l'eau uniquement), ou

Refoulement du fluide frigorigène, tubulure de 1/2 po. avec raccord rapide (modèles refroidis par un condensateur déporté uniquement)

F = Sortie d'eau du condensateur, 1/2 po. FPT (modèles refroidis à l'eau uniquement)

G = Conduite de fluide frigorigène, tubulure de 3/8 po. avec raccord rapide (modèles refroidis par un condensateur déporté uniquement)

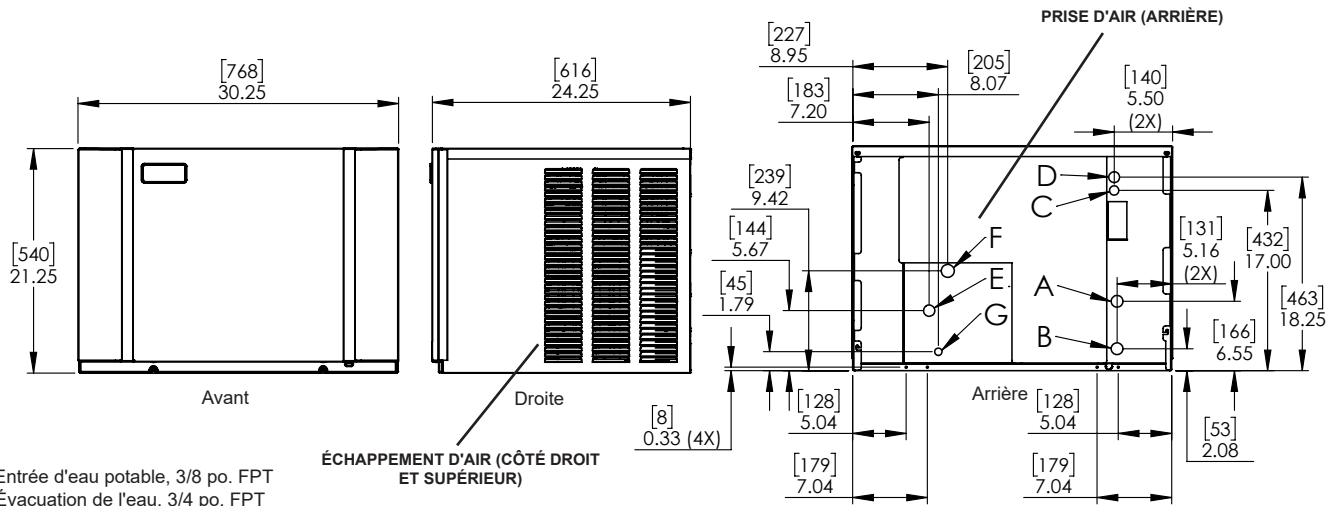
Exemple de modèle : CIM0826HA49

Voir la nomenclature des modèles à la page 2 pour plus d'informations.

Dimensions en pouces [mm]

MODÈLES DE 76 CM (30 POUCHES), CAPACITÉ DE PRODUCTION DE 136 À 272 KG/24H (300 À 600 LBS/24H)

Important : Consultez les exigences d'espace libre pour les unités refroidies par air



- A = Entrée d'eau potable, 3/8 po. FPT
- B = Évacuation de l'eau, 3/4 po. FPT
- C = Connexions électriques, 22,2 mm [7/8 in]
- D = Connexions électriques du condensateur déporté, 22,2 mm [7/8 po.]
- E = Entrée d'eau du condensateur, 3/8 po. FPT (modèles refroidis à l'eau uniquement), ou Refoulement du fluide frigorigène, tubulure de 1/2 po. avec raccord rapide (modèles refroidis par un condensateur déporté uniquement)
- F = Sortie d'eau du condensateur, 1/2 po. FPT (modèles refroidis à l'eau uniquement)
- G = Conduite de fluide frigorigène, tubulure de 3/8 po. avec raccord rapide (modèles refroidis par un condensateur déporté uniquement)

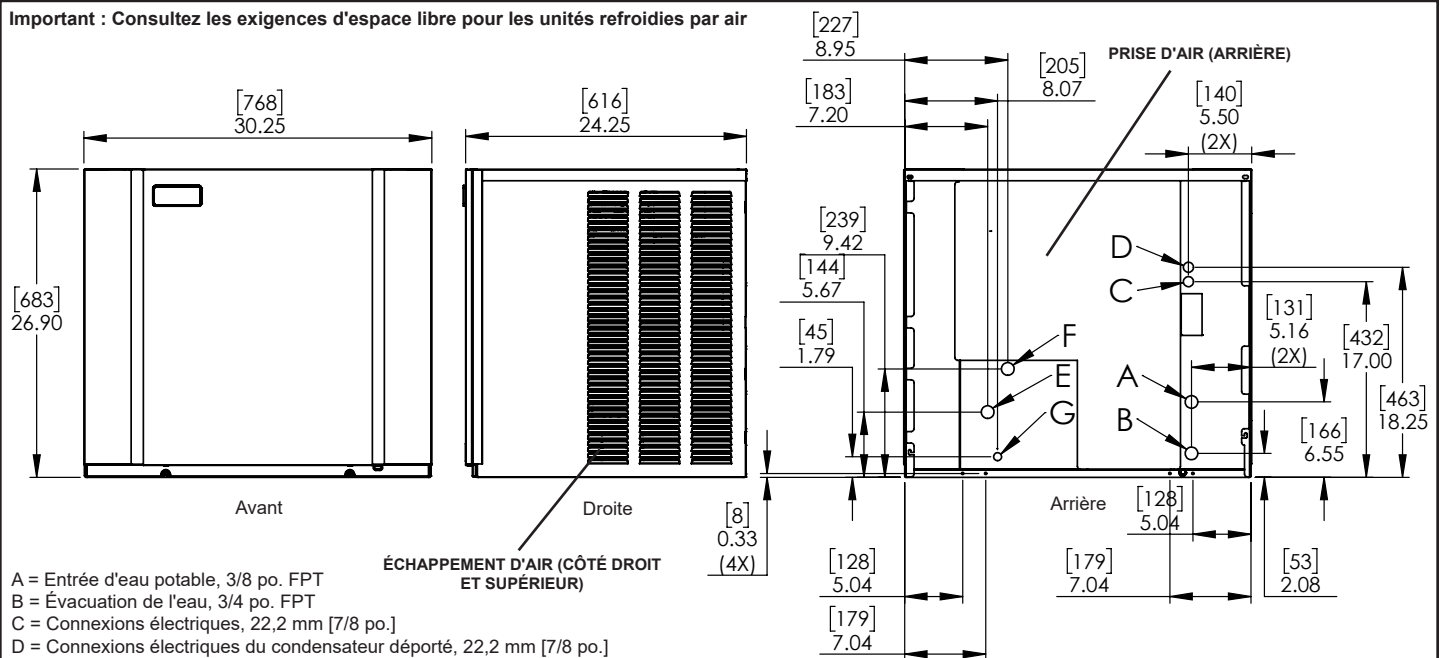
Exemple de modèle : CIM0330HA90

Voir la nomenclature des modèles à la page 2 pour plus d'informations.

Dimensions en pouces [mm]

MODÈLES DE 76 CM (30 POUCHES), CAPACITÉ DE PRODUCTION DE 360 À 500 KG/24H (800 À 1100 LBS/24H)

Important : Consultez les exigences d'espace libre pour les unités refroidies par air



- A = Entrée d'eau potable, 3/8 po. FPT
- B = Évacuation de l'eau, 3/4 po. FPT
- C = Connexions électriques, 22,2 mm [7/8 po.]
- D = Connexions électriques du condensateur déporté, 22,2 mm [7/8 po.]
- E = Entrée d'eau du condensateur, 3/8 po. FPT (modèles refroidis à l'eau uniquement), ou Refoulement du fluide frigorigène, tubulure de 1/2 po. avec raccord rapide (modèles refroidis par un condensateur déporté uniquement)
- F = Sortie d'eau du condensateur, 1/2 po. FPT (modèles refroidis à l'eau uniquement)
- G = Conduite de fluide frigorigène, tubulure de 3/8 po. avec raccord rapide (modèles refroidis par un condensateur déporté uniquement)

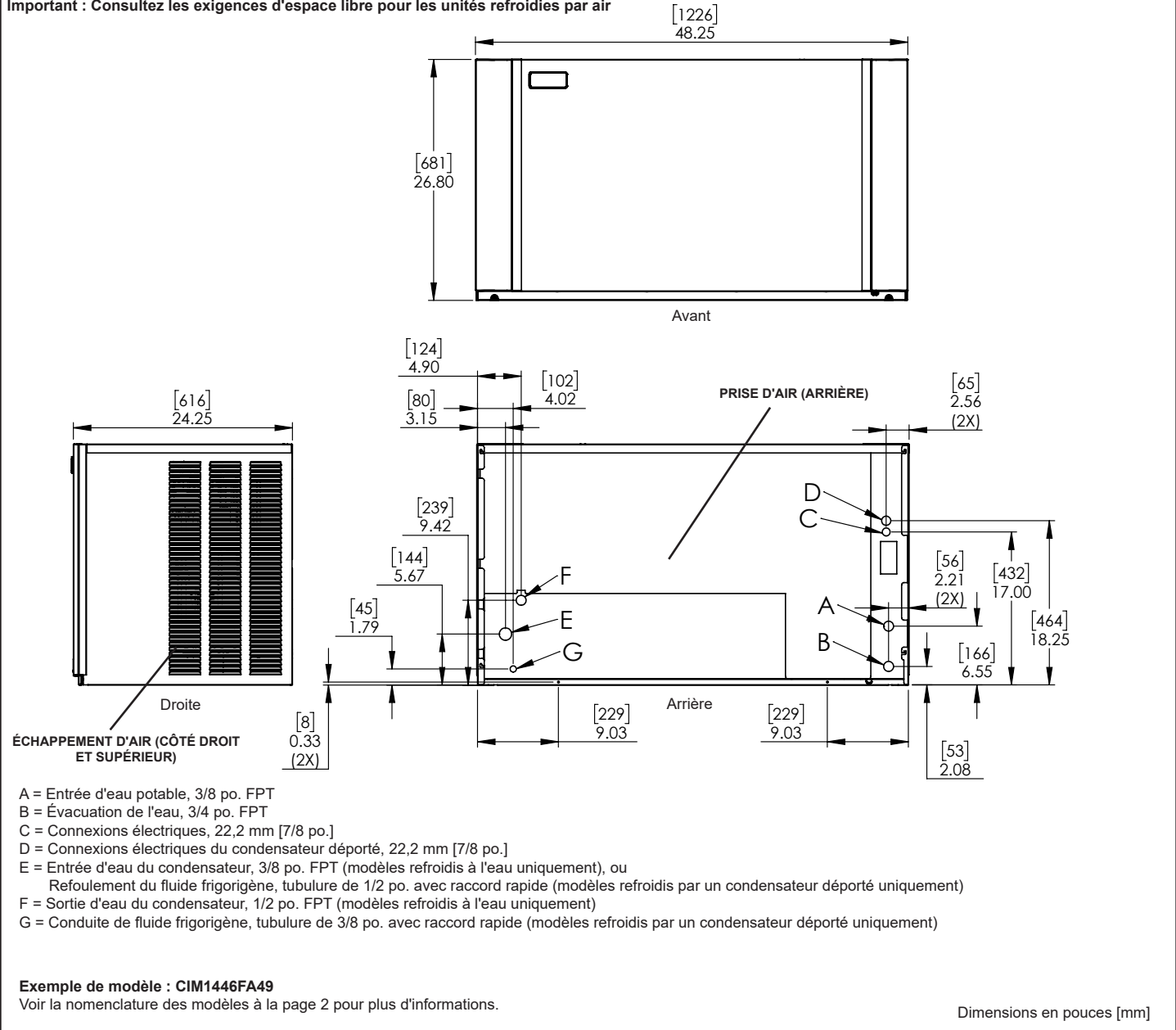
Exemple de modèle : CIM1136FA49

Voir la nomenclature des modèles à la page 2 pour plus d'informations.

Dimensions en pouces [mm]

MODÈLES DE 56 CM (48 POUCHES), CAPACITÉ DE PRODUCTION DE 135 À 270 KG/24H (1400 À 2000 LBS/24H)

Important : Consultez les exigences d'espace libre pour les unités refroidies par air



CARACTÉRISTIQUES DE L'ÉQUIPEMENT

- Température de l'air ambiant : 10-37,7 °C [50-100 °F]
- Température de l'air ambiant du condensateur déporté : -29-49 °C [-20-120 °F]
- Température de l'eau d'alimentation : 4,5-38 °C [40-100 °F]
- Pression de l'eau d'alimentation : 20-145 psi [0,14-1,00 MPa]
- Altitude maximale : 4 267 m [14 000 pieds]
- Entrée d'eau : Raccord FPT 3/8 pouces
- Sortie de l'eau de vidange : Raccord FPT 3/4 pouces
- PRP du R290 : < 3
- PRP du R449A (AR5) : 1282

DIRECTIVES D'INSTALLATION

Déballez la machine à glaçons

AVERTISSEMENT

Attention, appareil lourd

Le déplacement et l'installation ou la désinstallation de l'appareil doivent être effectués par deux personnes ou plus.

Le non-respect de cette consigne peut entraîner des blessures au dos ou autres.

Retirez l'emballage

- Retirez le carton de la machine à glaçons
- Retirez les (2) supports d'expédition qui fixent la machine à glaçons à la palette
- Retirez le panneau avant de la machine à glaçons en desserrant les (2) vis situées au bas du panneau. Déplacez le panneau vers le haut pour le retirer.
- Retirez le ruban adhésif fixant le rideau de récolte et la protection contre les éclaboussures lors de l'expédition.

Placez la machine à glaçons sur le bac

- Placez la machine à glaçons sur le bac à deux personnes ou plus. Si vous utilisez un appareil de levage, soutenez la machine à glaçons par le bas.
- Assurez-vous que l'avant de la machine à glaçons et l'avant du bac sont alignés. Assurez-vous que les côtés de la machine à glaçons et les côtés du bac sont alignés.
- Fixez la machine à glaçons au bac à l'aide des (2) sangles de bac situées à l'arrière de la machine à glaçons.

Exigences en matière d'emplacement

AVERTISSEMENT

Risque d'incendie

N'obstruez pas les ouvertures de ventilation dans l'enceinte de l'appareil ou dans la structure d'encastrement.

Le non-respect de cette consigne peut entraîner la mort, une explosion ou un incendie.

IMPORTANT : L'appareil est destiné à un usage commercial intérieur uniquement. Les appareils contenant du fluide frigorigène R290 avec une charge supérieure à 114 grammes ne doivent pas être installés dans les couloirs publics ou les halls d'entrée. L'appareil doit être installé conformément à la norme ANSI/ASHRAE 15.

Assurez-vous que la surface au sol est suffisante pour la charge de fluide frigorigène ou que le conduit de ventilation est monté correctement.

Vérifiez l'équipement de sécurité avant la mise en service.

L'installateur doit prévoir un espace suffisant pour assurer une bonne ventilation afin de garantir des performances optimales. Il existe (3) options de dégagement différentes : Échappement standard, échappement supérieur en biais et échappement latéral en biais.

Dégagements de l'échappement standard :

Arrière : 152 mm [6 po.] Haut : 152 mm [6 po.]
Gauche : 152 mm [6 po.] Droite : 152 mm [6 po.]

Dégagements de l'échappement supérieur en biais :

Arrière : 152 mm [6 po.] Haut : 152 mm [6 po.]
Gauche : 152 mm [6 po.] Droite : 0 mm [0 po.]

Dégagements de l'échappement latéral en biais :

Arrière : 152 mm [6 po.] Haut : 76 mm [3 po.]
Gauche : 152 mm [6 po.] Droite : 152 mm [6 po.]

Dégagements pour la charge de réfrigérant A3 > 150 g :

Arrière : 1 m [3 pi.] Haut : 483 mm [19 po.]
Gauche : 1 m [3 pi.] Droite : 1 m [3 pi.]

Réalisez les connexions électriques

AVERTISSEMENT

Risque de choc électrique

Le raccordement électrique doit être effectué par un technicien autorisé.

Le non-respect de cette consigne peut entraîner la mort, une explosion ou un incendie.

Veillez à ce que les connexions électriques soient correctement réalisées :

- Reportez-vous à la plaque signalétique située sur le côté gauche de la machine pour connaître la tension d'alimentation requise et le calibre du disjoncteur.
- L'appareil doit être installé sur un circuit dédié.
- Un moyen de déconnexion du réseau d'alimentation doit être incorporé dans le câblage fixe conformément aux règles de câblage.

Réalisez les raccordements d'alimentation en eau

IMPORTANT : Les raccordements à l'alimentation en eau ne doivent être effectués que par du personnel autorisé et doivent être conformes aux codes de plomberie en vigueur. Ne raccordez l'appareil qu'à une alimentation en eau potable. Un système de filtration et de traitement de l'eau doit être installé avec la machine à glaçons. Consultez la fiche technique du filtre à eau. L'eau issue de l'osmose inverse est très acide et attaque l'évaporateur et les autres métaux de l'appareil. Elle peut également favoriser la croissance de moisissures microbiennes et la formation de vase. Si vous utilisez de l'eau osmosée, vérifiez que le pH est neutre (7,0).

REMARQUE : Si fourni, utilisez le nouveau tuyau fourni avec l'appareil. Les anciens tuyaux ne doivent pas être réutilisés.

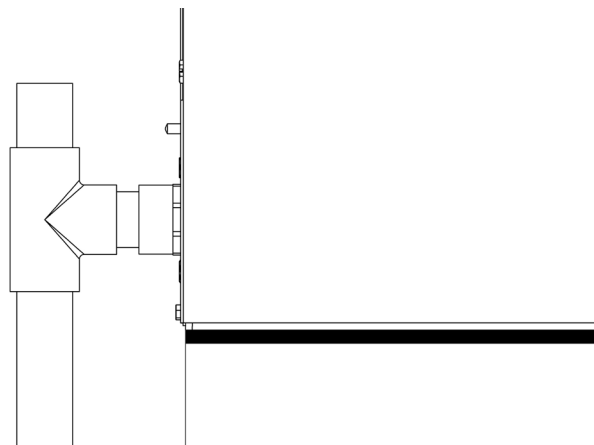
Le non-respect de cette consigne peut entraîner l'annulation de la garantie.

- Prévoyez deux bobines de tubes supplémentaires derrière la machine afin de pouvoir l'éloigner du mur en cas d'intervention.
- Raccordez la conduite d'alimentation en eau (diamètre extérieur minimum de 3/8 pouces) à la machine à l'aide d'un raccord MPT de 3/8 pouces et d'un ruban adhésif de plomberie en PTFE.
- Ouvrez la pression d'alimentation en eau. Vérifiez l'étanchéité de tous les raccords.

Effectuez les raccordements de la conduite de vidange

IMPORTANT : Les raccordements à l'évacuation de l'eau ne doivent être effectués que par du personnel autorisé et doivent être conformes aux codes de plomberie en vigueur.

- Raccordez la conduite d'évacuation de l'eau (diamètre extérieur minimum de 3/4 pouces) à la machine à l'aide d'un raccord MPT de 3/4 pouces et d'un ruban adhésif de plomberie en PTFE. Isolez la conduite d'évacuation pour éviter la formation de condensation. **REMARQUE** : Il est déconseillé d'utiliser des conduites flexibles. Purgez la conduite de vidange pour éviter tout refoulement dans la machine.
- Acheminez la conduite d'évacuation vers un siphon de sol. **REMARQUE** : Il est déconseillé d'utiliser des pompes à condensats.

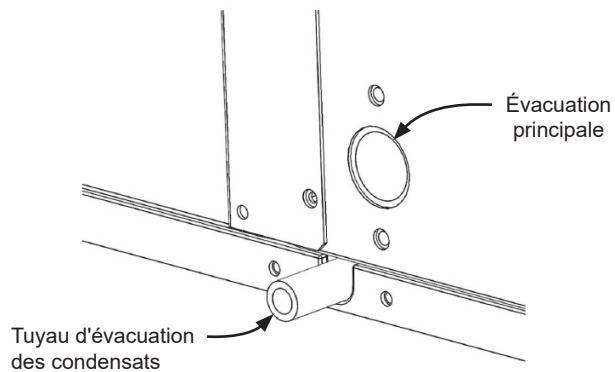


Exemple d'évacuation de la conduite de vidange

Effectuez les raccordements de l'évacuation des condensats

Les environnements très humides peuvent nécessiter l'utilisation d'un raccord d'évacuation des condensats.

- Il convient d'utiliser une tubulure de 1/2 po. [12,7 mm] à 9/16 po. [14,3 mm] de diamètre extérieur pour la conduite d'évacuation des condensats.
- Ajoutez du silicone à l'extérieur de la tubulure qui sera insérée dans la machine à glaçons.
- Insérez la tubulure d'environ 25 mm (1 po.) entre le trou d'évacuation des condensats et le cadre arrière de la machine à glaçons, en dessous de l'emplacement de l'évacuation principale. **REMARQUE** : Si le tuyau est difficile à insérer, il est possible de desserrer les vis qui maintiennent le cadre métallique à la base en plastique. Resserrez les vis une fois que le tuyau est complètement inséré.
- Acheminez la tubulure jusqu'à l'égout, en veillant à ce qu'elle soit soutenue afin d'éviter qu'elle ne se plie ou que la conduite d'évacuation ne se détache.
- Le cas échéant, appliquez du silicone sur le bord extérieur du raccord pour assurer une bonne étanchéité.



INSTALLATION DU CONDENSATEUR DÉPORTÉ

IMPORTANT : Respectez les directives suivantes pour le bon fonctionnement de la machine à glaçons. Le non-respect de cette consigne peut entraîner une perte de capacité de production, une défaillance prématurée des pièces et l'annulation de toutes les garanties.

Limites de température ambiante

- Température de l'air ambiant : -De -28,9 à 48,9 °C [de -20 à 120 °F]

Limites d'emplacement

Utilisez les informations suivantes pour planifier l'emplacement du condensateur déporté par rapport à la machine à glaçons.

L'emplacement du condensateur déporté ne doit dépasser **AUCUNE** des valeurs suivantes. Les configurations qui ne répondent pas à ces exigences doivent faire l'objet d'une autorisation écrite du fabricant.

- Élévation maximale entre la machine à glaçons et le condensateur déporté : 10,67 mètres physiques [35 pieds physiques]
- Élévation maximale entre la machine à glaçons et le condensateur déporté : 3,05 mètres physiques [10 pieds physiques]
- Longueur maximale du jeu de conduites : 22,86 mètres physiques [75 pieds physiques]
- Longueur maximale calculée du jeu de conduites : 30,48 m [100 pieds]

Déterminez la longueur calculée du jeu de conduites à l'aide des formules ci-dessous :

Longueur calculée du jeu de conduites = course en descente + course en montée + course horizontale

Descente = $dd \times 6,6$ où dd = distance de descente en pieds ou en m

Montée = $rd \times 1,7$ où rd = distance de montée en pieds ou en m

Course horizontale = distance horizontale en pieds ou en mètres

IMPORTANT : N'acheminez pas un jeu de conduites qui monte, puis descend, puis monte. N'acheminez pas un jeu de conduites qui descend, puis monte, puis descend.

Emplacement du condensateur déporté

Des jeux de conduites préchargés et des kits de conduites sont disponibles en longueurs de 7,62 m [25 pieds], 12,19 m [40 pieds] ou 22,86 m [75 pieds] pour relier la machine à glaçons et le condensateur déporté. Choisissez le meilleur emplacement possible, en protégeant le condensateur déporté de la saleté, de la poussière et du soleil. L'installation doit être conforme à tous les codes du bâtiment en vigueur. Les services d'un électricien agréé peuvent être requis.

Fixation à la toiture

Installez et fixez le condensateur déporté sur la toiture du bâtiment en suivant les méthodes et pratiques de construction conformes aux codes de construction locaux, y compris en demandant à un entrepreneur de couverture de fixer le condensateur déporté sur la toiture.

Raccordement électrique

Demandez à un électricien de raccorder les fils du moteur de ventilateur du condensateur déporté à la machine à glaçons en utilisant le boîtier de jonction située à l'arrière de la machine.

fluide frigorigène

IMPORTANT : Ne raccordez pas les conduites préchargées avant d'avoir terminé l'acheminement et le formage des tubulures. Ne pliez pas et ne sertissez pas les conduites de fluide frigorigène. Pour les informations de connexion, consultez les instructions de couplage fournies avec le condensateur déporté.

Les jeux de conduites de fluide frigorigène sont constitués de (2) tuyaux : une conduite de fluide de 3/8 de pouce [9,52 mm] de diamètre et une conduite d'évacuation de 1/2 pouce [12,7 mm] de diamètre. Demandez à l'entrepreneur de couverture de découper un trou de 63,5 mm [2,50 pouces] pour les conduites de fluide frigorigène. Vérifiez que les pénétrations sont conformes aux codes locaux. Il peut s'avérer nécessaire de pratiquer un trou distinct pour l'alimentation électrique.

Faites passer les conduites de fluide frigorigène par l'ouverture du toit. Dans la mesure du possible, suivez un trajet en ligne droite. Toute tubulure excédentaire doit rester à l'intérieur du bâtiment. Enroulez la longueur de tubulure excédentaire à l'intérieur du bâtiment. Formez une spirale horizontale pour éviter de créer des pièges à fluide dans les conduites. Demandez à l'entrepreneur de couverture de sceller les trous dans le toit conformément aux codes locaux.

Exemple de calcul d'une course équivalente : Montée

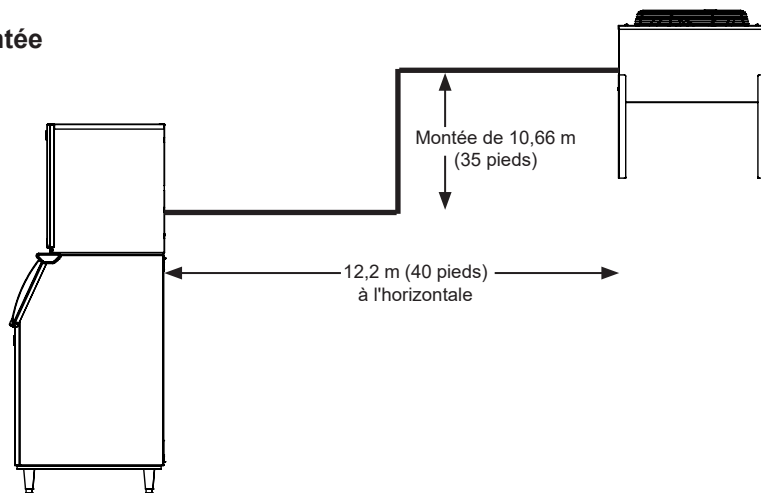
Longueur calculée du jeu de conduites = (Montée x 1,7)

+ (Descente x 6,6) + course horizontale

Longueur calculée du jeu de conduites = $(35 \times 1,7) + (0 \times 6,6) + 40$

Longueur calculée du jeu de conduites = 30 m (99,5 pieds)

La longueur calculée du jeu de conduites ne doit pas dépasser 30,48 m (100 pieds)



Exemple de calcul d'une course équivalente : Descente

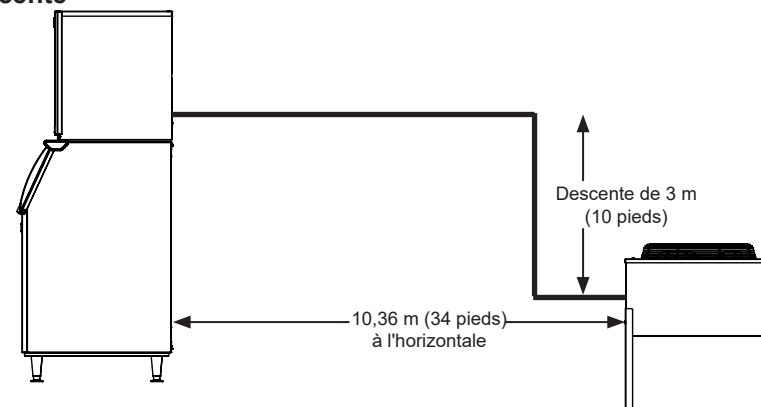
Longueur calculée du jeu de conduites = (Montée x 1,7)

+ (Descente x 6,6) + course horizontale

Longueur calculée du jeu de conduites = $(0 \times 1,7) + (10 \times 6,6) + 34$

Longueur calculée du jeu de conduites = 30,48 m (100 pieds)

La longueur calculée du jeu de conduites ne doit pas dépasser 30,48 m (100 pieds)



UTILISATION

Démarrage

1. Assurez-vous que la pression d'alimentation en eau est activée. Vérifiez que la conduite d'évacuation a été acheminée vers un siphon de sol. Mettez l'appareil sous tension ; le témoin lumineux situé près des boutons doit être rouge fixe.
2. Appuyez rapidement sur le bouton ON/OFF et relâchez-le. Le témoin lumineux devient bleu fixe. La machine est maintenant en marche et commence à produire de la glace.
3. Suivez la séquence d'opérations décrite ci-dessous. Vérifiez le fonctionnement de chaque composant tout au long du cycle, comme expliqué ci-dessous.

Séquence des opérations du cycle de congélation

- Après la mise en marche de l'appareil, la vanne d'arrivée d'eau est sous tension. L'eau remplit le réservoir jusqu'à ce que le flotteur haut atteigne la position d'arrêt.
- Le robinet de gaz chaud s'ouvre pendant cinq secondes. Le compresseur et le moteur du ventilateur sont mis sous tension et, après cinq secondes, la vanne de gaz chaud se ferme. La plaque d'évaporation est maintenant pré-refroidie.
- Une fois le pré-refroidissement terminé, la pompe à eau est mise sous tension. L'eau s'écoule maintenant sur la plaque d'évaporation.
- Lorsque l'eau atteint un point de consigne prédéterminé en usine dans le réservoir, l'appareil arrête la pompe à eau pendant vingt secondes afin d'empêcher la formation de boues dans le réservoir.
- L'eau continue de couler sur la plaque d'évaporation jusqu'à ce que le flotteur bas atteigne la position d'arrêt, ce qui indique la formation d'une dalle de glace complète sur l'évaporateur. L'unité passe maintenant au cycle de récolte.

Séquence des opérations du cycle de récolte

- Au passage au cycle de récolte, la vanne de gaz chaud s'ouvre, la vanne de purge s'ouvre et la vanne d'arrivée d'eau s'ouvre. La vanne d'arrivée d'eau reste sous tension pendant un certain temps après la fermeture de la vanne de purge, ce qui permet de remplir partiellement le réservoir d'eau.
- L'appareil continue dans ce mode jusqu'à ce que le moteur d'assistance à la récolte pousse la dalle de glace hors de la plaque d'évaporation.
- Lorsque la dalle de glace tombe du dispositif, elle entre en contact avec le rideau, qui actionne l'interrupteur du rideau, indiquant que la dalle a été collectée.
- Si l'interrupteur du rideau reste ouvert après une durée prédéfinie en usine au cours du cycle de récolte, l'unité s'arrêtera, indiquant que le bac à glace est plein. Si l'interrupteur du rideau reste ouvert et se ferme avec la récolte de la glace, l'unité redémarre le cycle de congélation suivant.

Arrêt

Pour un arrêt normal : Appuyez rapidement sur le bouton ON/OFF et relâchez-le. Le témoin lumineux passe du bleu fixe au bleu clignotant. La machine termine le cycle de congélation en cours et récolte la glace, puis s'arrête. Le témoin lumineux devient rouge fixe.

Pour un arrêt accéléré : Appuyez sur le bouton ON/OFF pendant trois secondes. Le témoin lumineux passe du bleu fixe au bleu clignotant. La machine démarre immédiatement la récolte et s'arrête une fois la récolte terminée. Le témoin lumineux devient rouge fixe.

Pour un arrêt immédiat : Appuyez sur le bouton ON/OFF pendant six secondes. La machine s'arrête immédiatement. Le témoin lumineux passe du bleu fixe au rouge fixe.

ENTRETIEN



AVERTISSEMENT

Risque de choc électrique

Débranchez l'alimentation électrique de l'appareil avant d'effectuer des réglages ou des réparations.

Le non-respect de cette consigne peut entraîner la mort, une explosion ou un incendie.

IMPORTANT : Pour un entretien correct et sûr, veuillez lire entièrement ces instructions. Tous les travaux d'entretien doivent être effectués par du personnel d'entretien autorisé. Le fait de ne pas effectuer l'entretien requis à la fréquence spécifiée annulera la couverture de la garantie en cas de défaillance.

Procédure générale d'entretien

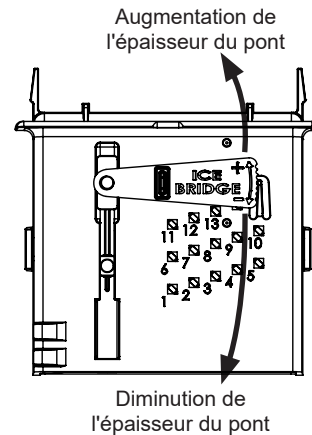
Pour garantir un fonctionnement économique et sans problème de votre machine, il est recommandé d'effectuer les opérations d'entretien suivantes tous les six mois.

1. Nettoyez la zone alimentaire en suivant la procédure « Entretien : Procédure de nettoyage » de la section. Le nettoyage doit être effectué au minimum tous les six mois. Les caractéristiques locales de l'eau peuvent nécessiter un nettoyage plus fréquent.
2. Vérifiez et ajustez l'épaisseur du pont de glace si nécessaire en suivant la section « Entretien : Ajustez l'épaisseur du pont de glace ».
3. Nettoyez le condensateur et le filtre de condensateur (le cas échéant) afin de garantir une circulation d'air sans obstruction.
4. Vérifiez l'absence de fuites, qu'il s'agisse d'eau ou de fluide frigorigène.
5. Vérifiez toutes les connexions électriques.

6. Vérifiez le filtre à eau (le cas échéant) et remplacez-le s'il est sale ou colmaté.
7. Inspectez le tube de distribution d'eau de l'évaporateur pour vérifier que l'eau est répartie uniformément dans l'évaporateur. Si le débit d'eau n'est pas régulier, nettoyez ou remplacez le tube de distribution.

Ajustez l'épaisseur du pont de glace

1. Laissez la machine produire au moins une dalle de glace.
2. Au cours du deuxième cycle de récolte, mesurez l'épaisseur du pont de glace au milieu de la dalle de glace. L'épaisseur du pont, mesurée au milieu de la dalle, doit être de 5 mm [3/16 po.] pour le modèle CIM03 et de 3 mm [1/8 po.] pour toutes les autres machines. Il est également possible de peser les lots de glace pour déterminer l'épaisseur appropriée du pont. Voir le tableau ci-dessous pour le poids des lots de glace.
3. Si un réglage est nécessaire, de petits ajustements peuvent être effectués à l'aide du bras de réglage de l'épaisseur du pont de glace situé sur le boîtier du flotteur. Voir la figure ci-dessous. Le boîtier du flotteur est situé à l'intérieur du réservoir d'eau. Le démontage du réservoir n'est pas nécessaire pour les petits ajustements.
4. Tournez le dispositif de réglage dans le sens des aiguilles d'une montre pour diminuer l'épaisseur du pont. Tournez le dispositif de réglage dans le sens inverse des aiguilles d'une montre pour augmenter l'épaisseur du pont. Vous entendrez un déclic. Remarque : Il est recommandé d'effectuer les ajustements un ou deux déclics à la fois.
5. Pour des réglages plus importants, consultez le manuel d'entretien.



Modèle	Poids du lot en kg [lbs]		
	Demi-glaçon	Glaçon normal	Glaçon géant
CIM03	1,32-1,43 kg [2,9-3,15 lbs]	1,47-1,59 kg [3,25-3,5 lbs]	-
CIM04/CIM05/CIM06	2,22-2,34 kg [4,9-5,15 lbs]	2,49-2,63 kg [5,5-5,8 lbs]	-
CIM08/CIM11	3,13-3,36 kg [6,9-7,4 lbs]	3,58-3,76 kg [7,9-8,3 lbs]	3,81-3,99 kg [8,4-8,8 lbs]
CIM14/CIM20	6,26-6,71 kg [13,8-14,8 lbs]	7,17-7,53 kg [15,8-16,6 lbs]	-

Aperçu du nettoyage



AVERTISSEMENT

Risque de corrosion/d'irritation de la peau

Portez toujours des gants de protection, des vêtements de protection et des lunettes de protection lorsque vous manipulez des solutions de détartrage et de désinfection.

Le non-respect de cette consigne peut entraîner une irritation de la peau ou des lésions oculaires.

Le nettoyage d'une machine à glaçons se fait en deux temps :
Détartrage et désinfection.

Le détartrage doit être programmé au minimum deux fois par an, mais pas plus d'une fois par mois. Le détartrage dissout les dépôts minéraux sur l'évaporateur et sur d'autres surfaces. Il élimine le tartre, le calcium, la chaux et les autres dépôts minéraux. Ice-O-Matic exige un nettoyant sans nickel tel que le nettoyant pour machine à glace Nu-Calgon Nickel-Safe, dilué selon les instructions du fabricant. À la dilution, la composition chimique est de 5 à 10 % d'acide citrique. Consultez le site web du fabricant pour connaître les formulations chimiques et l'équilibre du pH approuvés.

La désinfection doit être effectuée après chaque détartrage, mais pas plus d'une fois par mois. La désinfection assainit la machine et élimine la prolifération

microbienne, y compris les moisissures et les dépôts. Ice-O-Matic nécessite un produit désinfectant sans danger pour le nickel, tel que Nu-Calgon IMS-III. Consultez le site web du fabricant pour connaître les formulations chimiques et l'équilibre du pH approuvés.

IMPORTANT : Ne mélangez pas les solutions de détartrage et de désinfection. L'alimentation électrique doit être activée pour réaliser le cycle de nettoyage. Prenez des précautions lorsque vous travaillez à l'intérieur de la machine.

IMPORTANT : N'utilisez jamais de solutions de nettoyage ou de désinfection contenant de l'acide nitrique, de l'acide sulfurique, de l'acide chlorhydrique, de l'acide carbolique, de l'acide acétique, de l'acide acétique dilué, du vinaigre non alimentaire (dont la concentration en acide acétique est supérieure à 6 % et qui ne contient pas d'enzymes créées lors de la transformation), de l'eau de Javel, du dioxyde de chlore ou des sels tels que le chlorure de potassium (sels de potassium) ou le chlorure de sodium. Vérifiez l'étiquette ou la fiche de données de sécurité (FDS) du fabricant pour vous en assurer. L'utilisation de ces produits chimiques peut attaquer la surface de l'évaporateur et d'autres métaux, provoquant corrosion et écaillage, et annulerait la garantie.

Procédure de nettoyage

- Retirez toute la glace du bac pour éviter toute contamination.
- Appuyez sur le bouton ON/OFF et maintenez-le enfoncé pendant trois secondes pour lancer un cycle de récolte. Le témoin lumineux passe du bleu fixe au bleu clignotant.
- Une fois que la machine a terminé son cycle de récolte, le témoin lumineux passe au rouge fixe, indiquant que la machine est éteinte.
- Appuyez sur le bouton de nettoyage et relâchez-le rapidement pour lancer le processus. Les témoins sont rouges fixes et jaunes clignotants pendant le cycle de nettoyage.
- Attendez que l'eau commence à couler sur la plaque d'évaporation. Versez avec précaution la quantité appropriée de détartrant (voir tableau ci-dessous) dans le réservoir.
- L'appareil reste en cycle de LAVAGE pendant 15 minutes. Après le cycle de lavage, la machine purge et remplit à nouveau le réservoir avec de l'eau fraîche, puis rince pendant une minute. Elle répète ensuite les opérations de purge, de remplissage et de rinçage. Lorsque le cycle de nettoyage est terminé, les voyants sont rouge et jaune fixes. Appuyez sur le bouton de nettoyage et relâchez-le rapidement pour revenir au mode OFF, où le voyant lumineux n'est plus que rouge fixe.
- Retirez le rideau du réservoir. En utilisant la concentration de solution appropriée et un chiffon doux, essuyez l'évaporateur, le déversoir d'eau, le tube de distribution d'eau, le rideau et toutes les surfaces d'éclaboussures. Vérifiez que tous les résidus et minéraux résiduels ont été éliminés.
- Si un nettoyage complet des composantes du circuit d'eau est nécessaire, il peut être effectué en se référant au manuel d'entretien pour les divers composants du système d'eau. Il est recommandé de faire effectuer un nettoyage complet par un agent d'entretien qualifié.
- Remontez tous les composants du circuit d'eau de la machine à glaçons dans l'ordre inverse.
- Il est recommandé de désinfecter la machine à glaçons après le détartrage. Répétez ce même processus en utilisant la solution de désinfection dans les proportions correctes (référez-vous au tableau).
- Il est recommandé de nettoyer (détartrer et désinfecter) le bac à glace après avoir nettoyé la machine.
- Une fois l'opération terminée, appuyez sur le bouton ON/OFF et relâchez-le rapidement pour que la machine à glaçons reprenne son cycle de fabrication de glaçons.

Nettoyage de l'acier inoxydable et de l'aluminium

Les qualités commerciales d'acier inoxydable et d'aluminium sont susceptibles de rouiller ou de se corroder si elles ne sont pas correctement entretenues. Il est important d'entretenir correctement les surfaces en acier inoxydable et en

aluminium de votre machine à glaçons afin d'éviter tout risque de rouille et de corrosion. Il est recommandé de nettoyer les surfaces en acier inoxydable et en aluminium une fois par semaine afin d'éviter l'accumulation de taches dures et tenaces. Respectez les consignes suivantes pour que votre machine conserve son aspect neuf.

IMPORTANT : N'utilisez pas d'outils abrasifs pour nettoyer la surface métallique. N'utilisez pas de laine d'acier, d'éponge abrasive, de brosse métallique ou de grattoir pour nettoyer le métal. N'utilisez pas de produits nettoyants à base de chlore ou de chlorures. N'utilisez pas de produits javellisés pour nettoyer les surfaces métalliques.

- À l'aide d'un chiffon ou d'une éponge non abrasifs et d'un produit de nettoyage approprié (consultez le tableau ci-dessous), lavez soigneusement les surfaces en acier inoxydable et en aluminium, en les essuyant dans le sens du grain.
- Rincez à l'eau claire et essuyez immédiatement.

Pour le nettoyage régulier : Utilisez un produit vaisselle doux, de l'ammoniaque, un nettoyant pour vitres, un détergent doux avec de l'eau, ou d'autres produits chimiques ménagers de nettoyage de la cuisine approuvés pour les surfaces métalliques. Appliquez-les à l'aide d'un chiffon ou d'une éponge propre. Rincez à l'eau claire et essuyez.

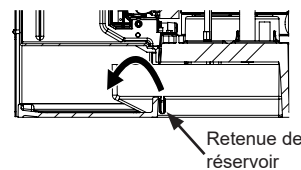
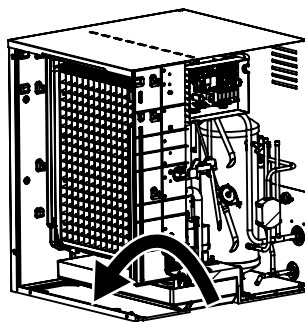
Pour éliminer la graisse ou les acides gras : Utilisez un nettoyant pour four. Appliquez généreusement le produit ; laissez-le reposer pendant 15 à 20 minutes. Rincez à l'eau claire. Répétez l'opération autant de fois que nécessaire.

Pour éliminer l'eau calcaire : Utilisez du vinaigre. Tamponnez ou frottez avec un chiffon propre. Rincez à l'eau claire et essuyez.

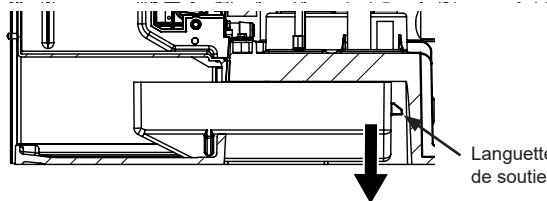
Procédure d'enlèvement du réservoir

Il peut être nécessaire d'enlever le réservoir d'eau pour le nettoyer et le désinfecter, ou pour régler l'épaisseur du pont de glace.

- Soulevez le réservoir et tirez-le vers l'avant. Cela permettra aux dispositifs de fixation du réservoir de se dégager du cadre.

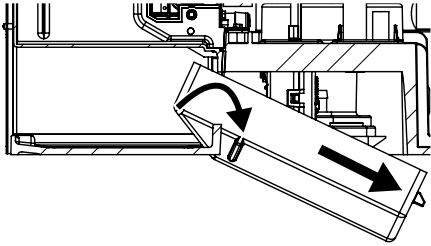


- Une fois les pattes de support complètement retirées du cadre, laissez descendre l'arrière du réservoir.



Modèle	Volume du réservoir	Nettoyant pour machine à glace sans nickel Nu-Calgon Nickel Safe. Rapport de concentration du détartrant : 39 mL par litre d'eau (5 oz liquides par gallon d'eau).	Ratio de concentration du produit désinfectant Nu-Calgon IMS-III 12,5 ml pour 1 l d'eau (1,6 oz liq. par 1 gal d'eau).
CIM03	0,9 gallons (3,4 l)	Ajoutez 4,5 fl. oz. (133 ml)	Ajoutez 1,5 fl. oz. (44 ml)
CIM04/CIM05/CIM06	1,2 gallons (4,5 L)	Ajoutez 6 fl. oz. (177 ml)	Ajoutez 2 fl. oz. (59 ml)
CIM08/CIM11	1,1 gallons (4,2 L)	Ajoutez 5,5 fl. oz. (164 ml)	Ajoutez 1,8 fl. oz. (53 ml)
CIM14/CIM20	1,8 gallons (6,8 L)	Ajoutez 9,0 fl. oz. (265 ml)	Ajoutez 2,9 fl. oz. (85 ml)

3. Comme à l'étape 1, soulevez l'avant du réservoir et poussez-le vers l'arrière pour permettre aux dispositifs de fixation du réservoir de se dégager du cadre. Poussez vers l'arrière jusqu'à ce que le réservoir soit dégagé du cadre. Tournez le réservoir sur le côté et retirez-le par la zone de chute de la glace.



4. Pour la réinstallation, inversez les étapes 1 à 3 et rentrez le tube de la pompe à eau dans le réservoir une fois que celui-ci est en place.

RÉPARATION



AVERTISSEMENT

Le fluide frigorigène utilisé peut être inflammable.

Suivez attentivement les instructions de manipulation conformément aux réglementations fédérales ou locales.

Veillez à ce que le lieu de réparation soit correctement ventilé.

Sachez que le dysfonctionnement de l'équipement peut être causé par une perte de fluide frigorigène et qu'une fuite de fluide frigorigène est possible.

Déchargez les condensateurs de manière à ne pas produire d'étincelles.

Le non-respect de cette consigne peut entraîner la mort, une explosion ou un incendie.

- Tout le personnel d'entretien et les autres personnes travaillant dans la zone locale doivent être informés de la nature des travaux effectués. Il convient d'éviter de travailler dans des espaces confinés.
- La zone sera contrôlée à l'aide d'un détecteur de fluide frigorigène approprié avant et pendant les travaux, afin de s'assurer que le technicien est conscient de l'existence d'une atmosphère potentiellement toxique ou inflammable. Assurez-vous que l'équipement de détection des fuites utilisé est adapté à l'utilisation de tous les fluides frigorigènes applicables, c'est-à-dire qu'il ne produit pas d'étincelles, qu'il est correctement scellé ou qu'il est intrinsèquement sûr.
- L'utilisation de colorants pour détecter les fuites de fluide frigorigène est interdite et annule toute garantie.
- Si un travail à chaud doit être effectué sur l'équipement frigorifique ou toute pièce associée, un dispositif d'extinction d'incendie approprié doit être disponible. Un extincteur à poudre ou à CO₂ doit se trouver à proximité de la zone de chargement.
- Il est interdit à toute personne effectuant des travaux en rapport avec un système frigorifique impliquant la mise à nu d'une tuyauterie d'utiliser des sources d'inflammation susceptible de créer un risque d'incendie ou d'explosion. Toutes les sources d'inflammation possibles, y compris la cigarette, doivent être suffisamment éloignées du lieu d'installation, de réparation, d'enlèvement et d'élimination, au cours desquels du fluide frigorigène peut éventuellement être libéré dans l'espace environnant. Avant le début des travaux, la zone entourant l'équipement doit être étudiée pour s'assurer qu'il n'y a aucun risque d'inflammabilité ou d'inflammation. Des panneaux « Interdiction de fumer » doivent être apposés.
- Assurez-vous que la zone est à l'air libre ou qu'elle est correctement ventilée avant de pénétrer dans le système ou d'effectuer un travail à chaud. Une certaine ventilation doit être maintenue pendant la durée des travaux. La ventilation doit permettre de disperser en toute sécurité tout fluide frigorigène libéré et, de préférence, de l'expulser dans l'atmosphère.
- Lorsque des composants électriques sont remplacés, ils doivent être adaptés à l'usage prévu et répondre aux spécifications correctes. Les directives du fabricant en matière d'entretien et de maintenance doivent être respectées à tout moment. En cas de doute, contactez le service technique du fabricant pour obtenir de l'aide.
- Les contrôles suivants sont appliqués aux installations utilisant des fluides frigorigènes inflammables :
 - La charge réelle de fluide frigorigène est fonction de la taille de la pièce dans laquelle les dispositifs contenant du fluide frigorigène sont installés.
 - Le marquage de l'équipement doit rester visible et lisible. Les marquages et les panneaux illisibles doivent être corrigés.
 - La réparation et l'entretien des composants électriques comprennent les contrôles de sécurité initiaux et les procédures d'inspection des composants. S'il existe un défaut susceptible de compromettre la sécurité, aucune alimentation électrique ne doit être connectée au circuit jusqu'à ce que le problème soit résolu de manière satisfaisante. Si le défaut ne peut être corrigé immédiatement mais qu'il est nécessaire de poursuivre l'exploitation, une solution temporaire adéquate doit être utilisée. Cette situation doit être signalée au propriétaire de l'équipement afin que toutes les parties soient informées. Les vérifications de sécurité initiales supposent :
 - Que les condensateurs soient déchargés : cette opération doit être effectuée en toute sécurité afin d'éviter tout risque d'étincelle.
 - Qu'aucun composant ou câblage électrique sous tension ne soit exposé lors de la charge, de la récupération ou de la purge du circuit.
 - Qu'il y ait une continuité de la mise à la terre.
- Lors de la réparation des composants scellés, toutes les alimentations électriques doivent être déconnectées de l'équipement sur lequel on travaille avant d'enlever les couvercles scellés, etc. S'il est absolument nécessaire d'alimenter l'équipement en électricité pendant l'entretien, un dispositif de détection des fuites fonctionnant en permanence doit être placé au point le plus critique pour avertir d'une situation potentiellement dangereuse.
- Une attention particulière doit être apportée aux points suivants afin de s'assurer qu'en travaillant sur les composants électriques, l'enveloppe ne soit pas altérée au point que le niveau de protection soit affecté. Il s'agit notamment de dommages causés aux câbles, d'un nombre excessif de branchements, de borniers non conformes aux spécifications d'origine, de joints d'étanchéité endommagés, de raccords de presse-étoupe incorrects, etc. Assurez-vous que l'appareil est solidement fixé. Vérifiez que les joints ou les matériaux d'étanchéité ne sont pas dégradés au point de ne plus pouvoir empêcher la pénétration d'atmosphères inflammables. Les pièces de rechange doivent être conformes aux spécifications du fabricant.
- N'appliquez pas de charges inductives ou capacitatives permanentes au circuit sans vous assurer qu'elles ne dépassent pas la tension et l'intensité admissibles pour l'équipement utilisé.
- Les composants à sécurité intrinsèque sont les seuls types de composants sur lesquels il est possible de travailler sous tension en présence d'une atmosphère inflammable. Tous les appareils d'essai ou de mesure seront étalonnés et réglés correctement pour l'application.
- Ne remplacez les composants que par des pièces spécifiées par le fabricant. D'autres pièces peuvent provoquer l'inflammation du fluide frigorigène dans l'atmosphère ou en provenance d'une fuite.
- Vérifiez que le câblage ne sera pas soumis à l'usure, à la corrosion, à une pression excessive, à des vibrations, à des arêtes vives ou à tout autre effet environnemental négatif. Le contrôle doit également prendre en compte les effets du vieillissement ou des vibrations continues provenant de sources telles que les compresseurs ou les ventilateurs.
- En aucun cas, des sources potentielles d'inflammation ne doivent être utilisées pour rechercher ou détecter des fuites de fluide frigorigène. N'utilisez pas de chalumeau aux halogénures (ou tout autre détecteur utilisant une flamme nue).
- Les méthodes suivantes de détection des fuites sont considérées comme acceptables pour tous les systèmes à fluide frigorigène :
 - Des détecteurs de fuites électroniques peuvent être utilisés pour détecter les fuites de fluide frigorigène mais, dans le cas d'un fluide frigorigène inflammable, la sensibilité peut être insuffisante ou nécessiter un réétalonnage. L'équipement de détection doit être étalonné dans une zone exempte de fluide frigorigène. Assurez-vous que le détecteur ne constitue pas une source potentielle d'inflammation et qu'il est adapté au fluide frigorigène utilisé. L'équipement de détection des fuites doit être réglé sur un pourcentage de la LFL du fluide frigorigène et être étalonné en fonction du fluide frigorigène utilisé ; le pourcentage approprié de gaz (25 % au maximum) doit être confirmé.
 - Les liquides de détection des fuites conviennent également à la plupart des fluides frigorigènes, mais l'utilisation de détergents contenant du chlore doit être évitée, car le chlore peut réagir avec le fluide frigorigène et corroder la tuyauterie en cuivre. La méthode des bulles et les agents fluorescents sont des exemples de détection de fuites à l'aide de liquides.
- Si l'on soupçonne une fuite, toutes les flammes nues doivent être supprimées/éteintes.
- Si une fuite de fluide frigorigène nécessitant un brasage est constatée, tout le fluide frigorigène doit être récupéré depuis le circuit ou évacué à l'extérieur (si les codes locaux et nationaux l'autorisent).
- Lorsque le brasage est nécessaire, les procédures suivantes doivent être exécutées dans l'ordre suivant :
 1. Retirez le fluide frigorigène en toute sécurité en respectant les réglementations locales et nationales. Si la récupération n'est pas exigée par les réglementations nationales, vidangez le fluide frigorigène à l'extérieur. Veillez à ce que le fluide frigorigène vidangé ne reflue pas dans le bâtiment.
 2. Purgez le circuit frigorifique avec de l'azote exempt d'oxygène pendant 5 minutes.
 3. Procédez de nouveau à l'évacuation.
 4. Retirez les pièces à remplacer par découpage et brasage.
 5. Purgez le joint de brasure avec de l'azote pendant la procédure de brasage nécessaire à la réparation.
 6. Effectuez un test d'étanchéité avant de charger le fluide frigorigène.
- Vérifiez l'équipement de sécurité avant la mise en service.

Procédure d'hivernage et de mise hors service

IMPORTANT : Procédez comme suit chaque fois que la machine à glace est mise hors service pour les mois d'hiver. Le non-respect de cette consigne peut entraîner de graves dommages et annule toutes les garanties.

1. Fermez l'arrivée d'eau à la machine.
2. Assurez-vous que toute la glace est retirée de l'évaporateur. Si de la glace est en cours de fabrication, lancez la récolte en appuyant sur le bouton ON/OFF pendant environ trois secondes. L'appareil s'éteint automatiquement après la récolte.
3. Débranchez le tuyau entre le refoulement de la pompe à eau et le tuyau de distribution d'eau. Vidangez toute l'eau.
4. Retirez et jetez toute la glace du bac à glace.

ÉLIMINATION



AVERTISSEMENT

Risque d'incendie ou d'explosion

Le fluide frigorigène utilisé peut être inflammable.

Suivez attentivement les instructions de manipulation conformément aux réglementations fédérales ou locales.

Éliminez le fluide frigorigène de manière appropriée conformément aux réglementations fédérales ou locales.

IMPORTANT : Cet appareil contient du fluide frigorigène et doit être mis au rebut conformément aux codes et réglementations nationales, régionales et locales en vigueur. Le fluide frigorigène doit être récupéré par du personnel d'entretien dûment certifié.

- Assurez une ventilation suffisante sur le lieu de travail
- Retirez le fluide frigorigène. Si la récupération n'est pas exigée par les réglementations nationales, vidangez le fluide frigorigène à l'extérieur. Veillez à ce que le fluide frigorigène vidangé ne présente aucun danger. En cas de doute, une personne doit surveiller la sortie. Veillez à ce que le fluide frigorigène vidangé ne reflue pas dans le bâtiment.
- En cas d'utilisation d'un fluide frigorigène inflammable :
 1. Évacuez le fluide frigorigène du circuit.
 2. Purgez le fluide frigorigène avec de l'azote exempt d'oxygène.
 3. Procédez de nouveau à l'évacuation.
 4. Coupez le compresseur et vidangez l'huile.

GARANTIE ICE-O-MATIC

Chaque machine à glaçons Ice-O-Matic bénéficie d'une garantie qui couvre à la fois les pièces et la main-d'œuvre. Pour consulter les détails de la garantie, enregistrer les produits ou vérifier l'état de la garantie, visitez le site www.iceomatic.com/warranty.

TROUVER UN PRESTATAIRE DE SERVICES D'ENTRETIEN

Pour trouver un prestataire de services d'entretien, veuillez consulter le site www.iceomatic.com.

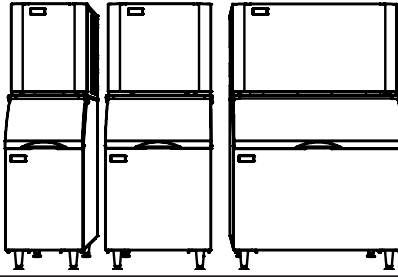
NOUS CONTACTER

Pour bénéficier de la garantie, appelez le 1-855-832-4466, ou visitez notre site web à l'adresse www.iceomatic.com.

Mile High Equipment, LLC
11100 E 45th Ave
Denver, CO 80239
États-Unis d'Amérique

Guía de instalación y manual del propietario

Traducción de las instrucciones originales



ADVERTENCIA

ANTES DE CONTINUAR, VERIFIQUE EL TIPO DE REFRIGERANTE QUE USA SU PRODUCTO.

EL PRODUCTO PUEDE CONTENER REFRIGERANTE INFLAMABLE. ES IMPORTANTE VERIFICAR EL TIPO DE REFRIGERANTE QUE CONTIENE EL PRODUCTO PARA ADOPTAR LAS PRECAUCIONES DE SEGURIDAD ADECUADAS.

- El tipo de refrigerante se indica en la placa de identificación del número de serie del producto.
- El tipo de refrigerante se indica en la hoja de especificaciones del producto.
- El tipo de refrigerante se puede determinar a partir del número de modelo. Los últimos dos dígitos indican el tipo de refrigerante; por ejemplo, el modelo CIM0320FA90 contiene refrigerante R-290 (propano), según lo indica el "90" al final del nombre del modelo. Los números de modelo que contienen "49" al final contienen refrigerante R-449A.

ÍNDICE

SEGURIDAD DE LA MÁQUINA DE HIELO.....	2
NOMENCLATURA DEL MODELO	2
DIAGRAMAS DEL MODELO	3
CAPACIDADES DEL EQUIPO	6
INSTRUCCIONES DE INSTALACIÓN	6
INSTALACIÓN DEL CONDENSADOR REMOTO	8
OPERACIÓN	9
SERVICIO	9
REPARACIÓN	11
DESECHO.....	12
GARANTÍA Y PROVEEDORES DE SERVICIO	12
CONTACTO.....	12

SEGURIDAD DE LA MÁQUINA DE HIELO

Su seguridad y la seguridad de otras personas son muy importantes.

Hay muchos mensajes de seguridad importantes en este manual y el equipo. Siempre lea todos los mensajes de seguridad y tómelos en cuenta.



Este es el símbolo de alerta de seguridad.

Este símbolo lo alerta sobre posibles peligros que podrían matarlo o causarle lesiones a usted y a otras personas.

Habrá mensajes de seguridad después del símbolo de alerta de seguridad y la palabra "PELIGRO" O "ADVERTENCIA". Estas palabras significan:



PELIGRO

Indica que, si no se siguen las precauciones adecuadas, se podría provocar la muerte o una lesión grave.



ADVERTENCIA

Indica que, si no se siguen las precauciones adecuadas, se podría provocar la muerte, una lesión grave o daños materiales.



Este es el símbolo de riesgo de incendio/materiales inflamables.

Este símbolo indica la presencia de materiales inflamables.

Cuando este símbolo aparece en el manual o en la máquina de hielo, se debe tener cuidado para evitar causar un incendio debido a la combustión de materiales inflamables.



Este es el símbolo de agua potable.

Este símbolo indica que se requiere una conexión con el suministro de agua potable.



Este es el símbolo IEC 60417-6412:2019-03.

Este símbolo indica que la máquina de hielo tiene una superficie mínima para el espacio donde está instalada. Si este símbolo aparece en la máquina de hielo, no debe instalarse en un espacio con una superficie inferior a la indicada.

PELIGRO

Lea todas las instrucciones antes de comenzar la instalación o de realizar cualquier tarea de servicio. Si no se siguen las instrucciones y las precauciones de seguridad en este manual, se puede ocasionar la muerte o lesiones graves. El fabricante se libera de cualquier responsabilidad con respecto a la instalación inadecuada del equipo.

INSTRUCCIONES DE SEGURIDAD IMPORTANTES

ADVERTENCIA: Con el fin de reducir el riesgo de incendio, descarga eléctrica o lesiones físicas al utilizar la máquina de hielo, siga las precauciones básicas, incluyendo las siguientes:

- Se debe supervisar a los niños para asegurarse de que no jueguen con el aparato.
- Las personas (incluidos los niños) con una disminución de las capacidades físicas, sensoriales o mentales o con falta de experiencia y conocimiento no deben usar este aparato, a menos de que lo hagan bajo supervisión o hayan recibido instrucciones sobre el uso del equipo de parte de una persona responsable de su seguridad.
- No guarde sustancias explosivas como latas de aerosol con propelentes inflamables en este aparato.
- **ADVERTENCIA:** No utilice dispositivos mecánicos ni otros medios para acelerar el proceso de descongelamiento, que no sean los que recomiende el fabricante.
- **ADVERTENCIA:** No utilice aparatos eléctricos dentro del compartimento de almacenamiento de hielo a menos que el fabricante lo recomiende.
- **ADVERTENCIA:** El aparato debe almacenarse en un cuarto donde no haya fuentes de combustión que operen de manera continua (por ejemplo, llamas abiertas, un aparato de gas en funcionamiento o un calentador eléctrico en funcionamiento).
- **ADVERTENCIA:** No perforo ni queme el equipo.
- **ADVERTENCIA:** Tome en cuenta que posiblemente los refrigerantes no emitan olores.
- **AVISO:** Las actividades de servicio se deben llevar a cabo únicamente conforme a las recomendaciones del fabricante.

GUARDE ESTAS INSTRUCCIONES

AVISOS SOBRE EL FLETE

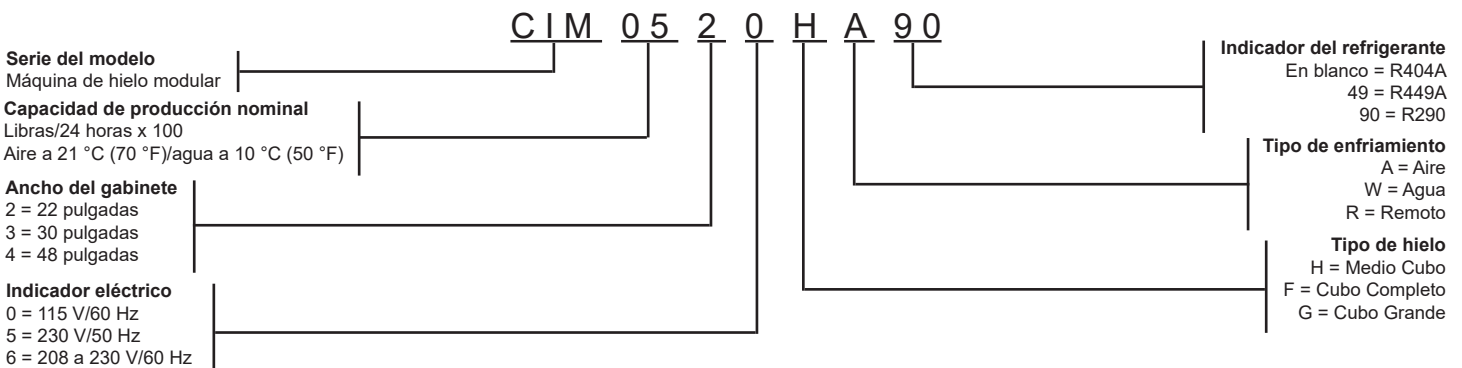
REVISE EL EQUIPO DE INMEDIATO: Esta mercancía fue inspeccionada y empaquetada detenidamente de conformidad con las especificaciones de empaque de la compañía de transporte. La compañía de transporte asume la responsabilidad de la seguridad en la entrega. En caso de que el equipo se pierda o se dañe, usted, como destinatario, deberá presentar un reclamo ante la compañía de transporte y conservar el contenedor para que dicha compañía realice una inspección.

DETERIOROS O DAÑOS VISIBLES: El agente de la compañía de transporte deberá describir y documentar detalladamente cualquier evidencia externa de deterioro o daño en la factura de flete o en el acuse de recibo expreso, así como firmar este documento. El reclamo deberá documentarse en un formulario de la compañía de transporte.

DETERIOROS O DAÑOS OCULTOS: En caso de que el deterioro o el daño no se hagan evidentes antes de desempacar la mercancía, solicite por escrito que la compañía de transporte realice una inspección en el transcurso de los cinco días posteriores a la fecha de entrega y luego presente un reclamo en un formulario de la compañía de transporte.

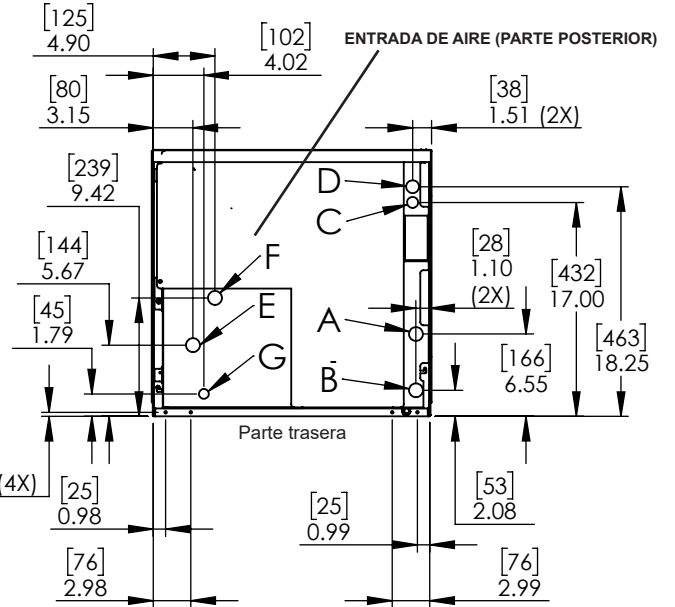
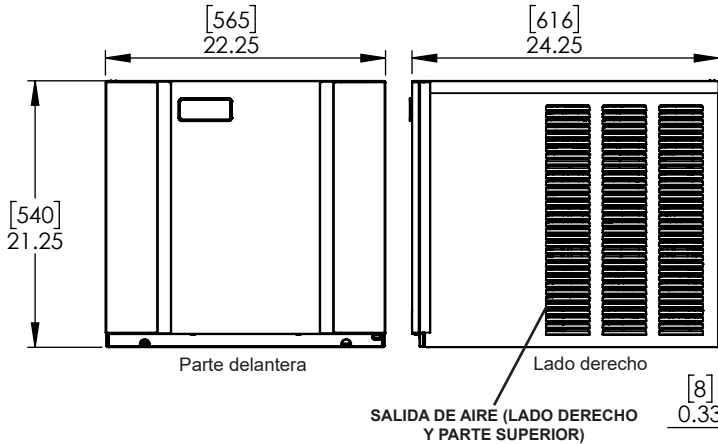
NO DEMORE EN PRESENTAR EL RECLAMO. NO DEVUELVA LOS PRODUCTOS DAÑADOS AL FABRICANTE

NOMENCLATURA DEL MODELO



MODELOS DE 22 PULGADAS, CAPACIDAD DE PRODUCCIÓN DE 300 A 600 LIBRAS/24 HORAS

Importante: Consulte el espacio requerido para las unidades con sistema de enfriamiento por aire.



- A = Entrada de agua potable, 3/8 de pulg. FPT
- B = Salida de desagüe, 3/4 de pulg. FPT
- C = Conexiones eléctricas, 7/8 de pulg. (22.2 mm)
- D = Conexiones eléctricas del condensador remoto, 7/8 de pulg. (22.2 mm)
- E = Entrada de agua del condensador, 3/8 de pulg. FPT (sólo modelos de enfriamiento con agua)
Descarga de refrigerante, tubo de 1/2 pulg. con acoplamiento de conexión rápida (sólo modelos de enfriamiento remoto)
- F = Salida de agua del condensador, 1/2 de pulg. FPT (sólo modelos con enfriamiento con agua)
- G = Tubería de líquido refrigerante, tubo de 3/8 pulg. con acoplamiento de conexión rápida (sólo modelos de enfriamiento remoto)

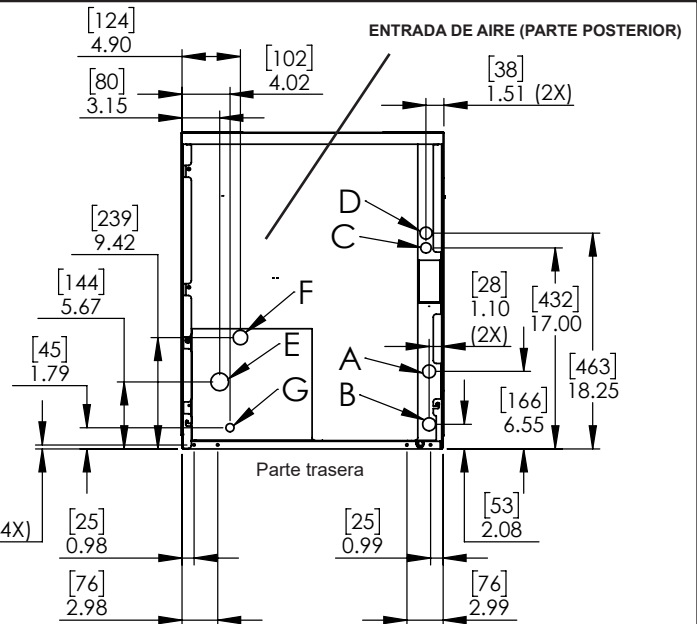
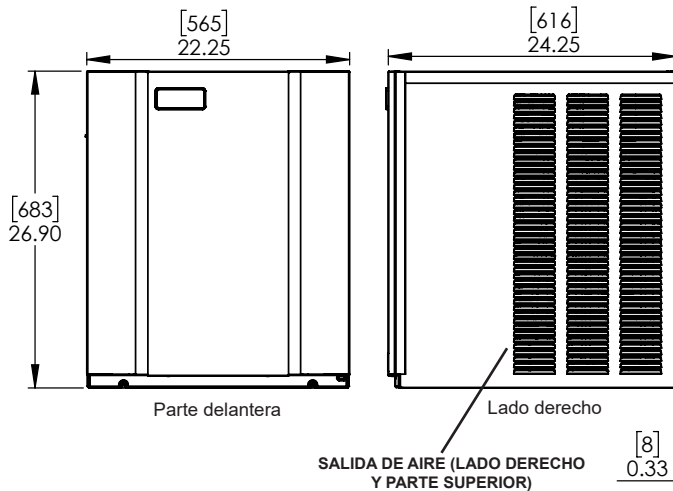
Ejemplo de modelo: CIM0520HA90

Consulte la nomenclatura del modelo en la página 2 para obtener más información.

Dimensiones en pulgadas (mm)

MODELOS DE 22 PULGADAS, CAPACIDAD DE PRODUCCIÓN DE 800 A 1100 LIBRAS/24 HORAS

Importante: Consulte el espacio requerido para las unidades con sistema de enfriamiento por aire.



- A = Entrada de agua potable, 3/8 de pulg. FPT
- B = Salida de desagüe, 3/4 de pulg. FPT
- C = Conexiones eléctricas, 7/8 de pulg. (22.2 mm)
- D = Conexiones eléctricas del condensador remoto, 7/8 de pulg. (22.2 mm)
- E = Entrada de agua del condensador, 3/8 de pulg. FPT (sólo modelos de enfriamiento con agua)
Descarga de refrigerante, tubo de 1/2 pulg. con acoplamiento de conexión rápida (sólo modelos de enfriamiento remoto)
- F = Salida de agua del condensador, 1/2 de pulg. FPT (sólo modelos con enfriamiento con agua)
- G = Tubería de líquido refrigerante, tubo de 3/8 pulg. con acoplamiento de conexión rápida (sólo modelos de enfriamiento remoto)

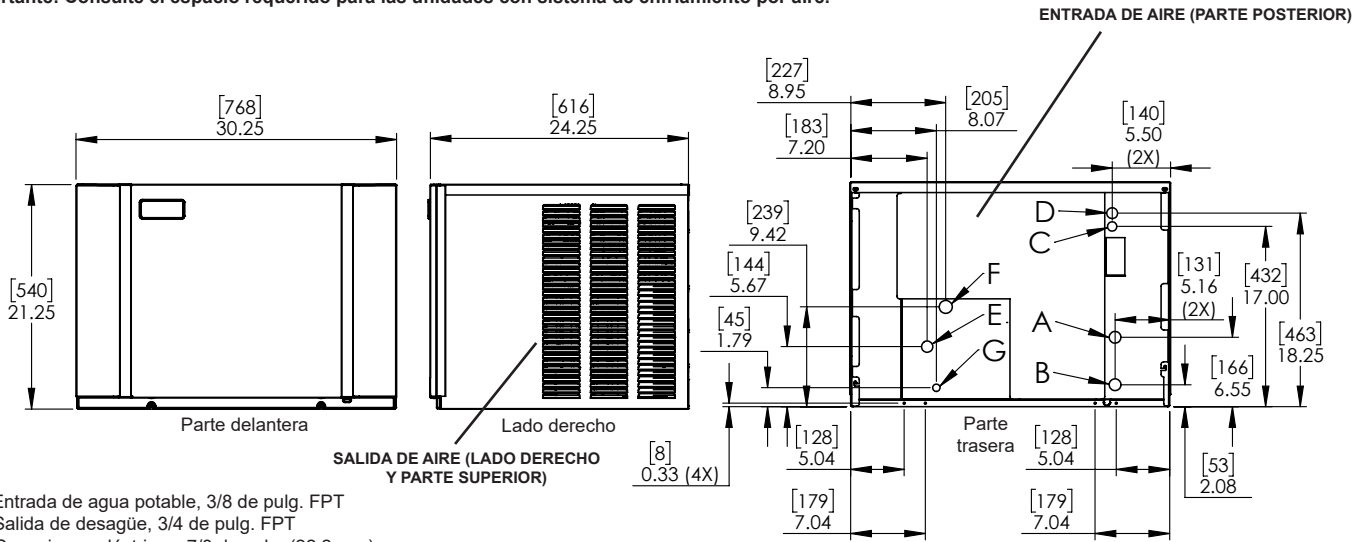
Ejemplo de modelo: CIM0826HA49

Consulte la nomenclatura del modelo en la página 2 para obtener más información.

Dimensiones en pulgadas (mm)

MODELOS DE 30 PULGADAS, CAPACIDAD DE PRODUCCIÓN DE 300 A 600 LIBRAS/24 HORAS

Importante: Consulte el espacio requerido para las unidades con sistema de enfriamiento por aire.



- A = Entrada de agua potable, 3/8 de pulg. FPT
- B = Salida de desagüe, 3/4 de pulg. FPT
- C = Conexiones eléctricas, 7/8 de pulg. (22.2 mm)
- D = Conexiones eléctricas del condensador remoto, 7/8 de pulg. (22.2 mm)
- E = Entrada de agua del condensador, 3/8 de pulg. FPT (sólo modelos de enfriamiento con agua)
Descarga de refrigerante, tubo de 1/2 pulg. con acoplamiento de conexión rápida (sólo modelos de enfriamiento remoto)
- F = Salida de agua del condensador, 1/2 de pulg. FPT (sólo modelos con enfriamiento con agua)
- G = Tubería de líquido refrigerante, tubo de 3/8 pulg. con acoplamiento de conexión rápida (sólo modelos de enfriamiento remoto)

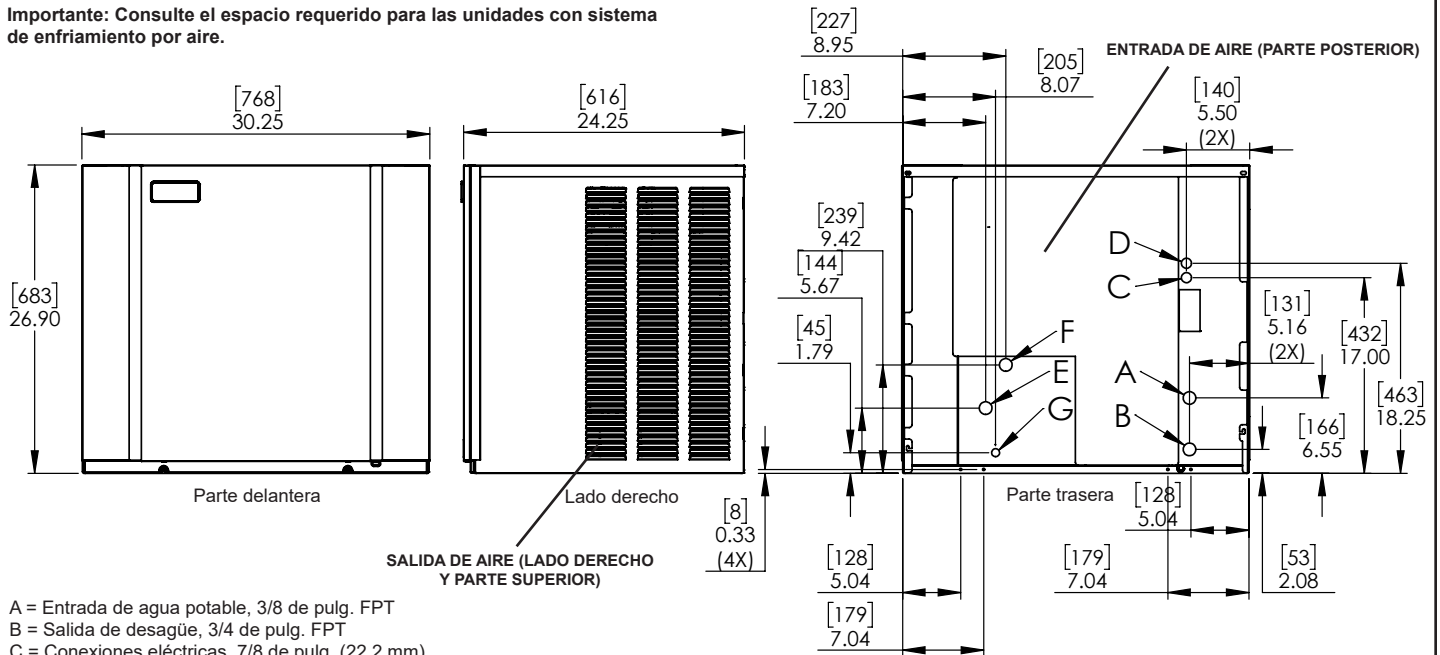
Ejemplo de modelo: CIM0330HA90

Consulte la nomenclatura del modelo en la página 2 para obtener más información.

Dimensiones en pulgadas (mm)

MODELOS DE 30 PULGADAS, CAPACIDAD DE PRODUCCIÓN DE 800 A 1100 LIBRAS/24 HORAS

Importante: Consulte el espacio requerido para las unidades con sistema de enfriamiento por aire.



- A = Entrada de agua potable, 3/8 de pulg. FPT
- B = Salida de desagüe, 3/4 de pulg. FPT
- C = Conexiones eléctricas, 7/8 de pulg. (22.2 mm)
- D = Conexiones eléctricas del condensador remoto, 7/8 de pulg. (22.2 mm)
- E = Entrada de agua del condensador, 3/8 de pulg. FPT (sólo modelos de enfriamiento con agua)
Descarga de refrigerante, tubo de 1/2 pulg. con acoplamiento de conexión rápida (sólo modelos de enfriamiento remoto)
- F = Salida de agua del condensador, 1/2 de pulg. FPT (sólo modelos con enfriamiento con agua)
- G = Tubería de líquido refrigerante, tubo de 3/8 pulg. con acoplamiento de conexión rápida (sólo modelos de enfriamiento remoto)

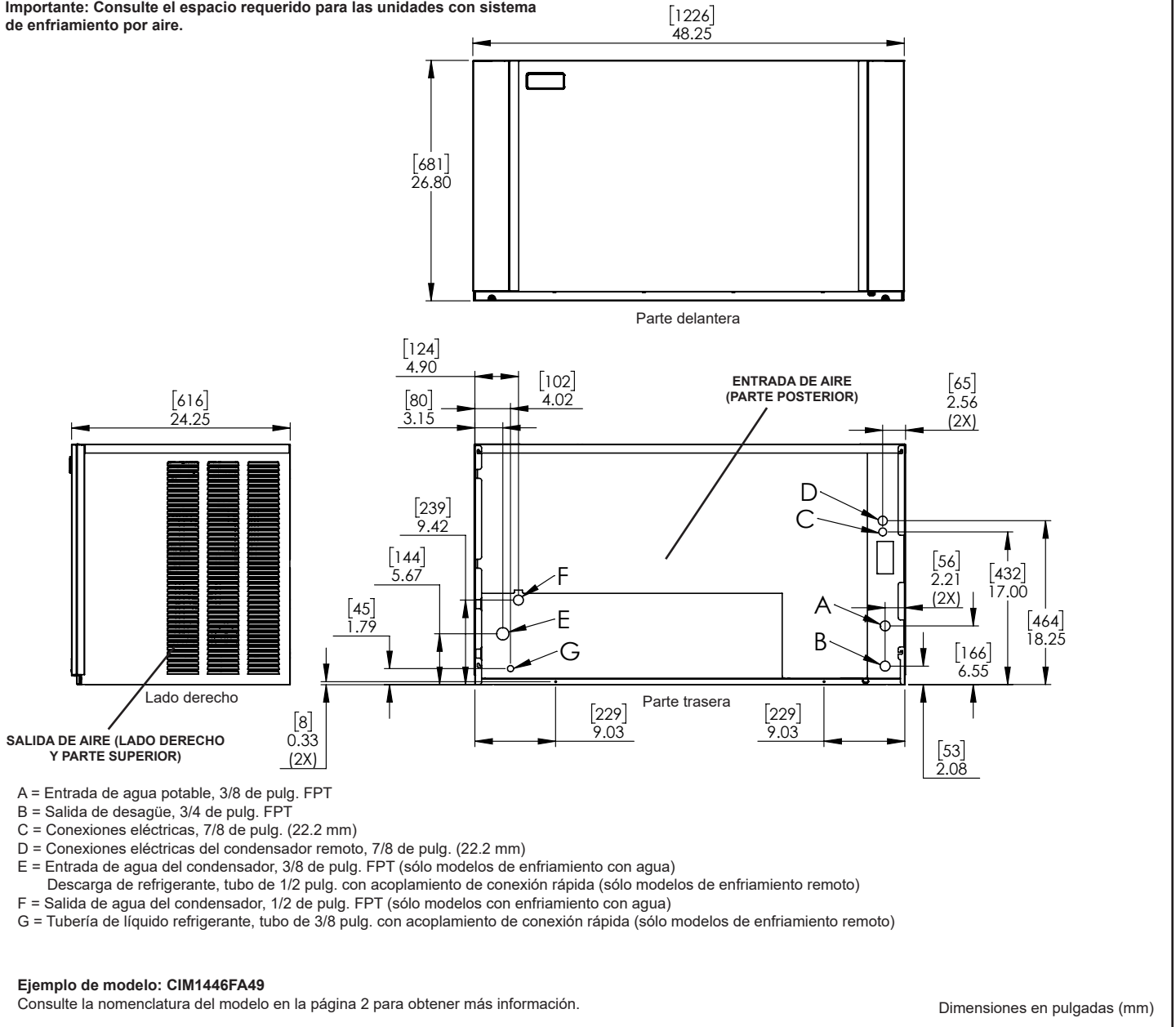
Ejemplo de modelo: CIM1136FA49

Consulte la nomenclatura del modelo en la página 2 para obtener más información.

Dimensiones en pulgadas (mm)

MODELOS DE 48 PULGADAS, CAPACIDAD DE PRODUCCIÓN DE 1400 A 2000 LIBRAS/24 HORAS

Importante: Consulte el espacio requerido para las unidades con sistema de enfriamiento por aire.



ESPECIFICACIONES DEL EQUIPO

- Temperatura ambiente del aire: De 10 a 37.7 °C (50 a 100 °F)
- Temperatura ambiente del aire del condensador remoto: De -29 a 49 °C (-20 a 120 °F)
- Temperatura del agua de la red de suministro: De 4.5 a 38 °C (40 a 100 °F)
- Presión del agua de la red de suministro: De 20 a 145 psi (0.14 a 1.00 MPa)
- Altitud máxima: 4,267 m (14,000 pies)
- Entrada de agua: Conexión de 3/8 de pulgada FPT
- Salida de drenaje: Conexión de 3/4 de pulgada FPT
- R290 GWP: < 3
- R449A GWP (AR5): 1282

INSTRUCCIONES DE INSTALACIÓN

Desempaque la máquina de hielo



ADVERTENCIA

Riesgo de exceso de peso

Para mover e instalar o desinstalar el aparato se requieren dos o más personas.

Si es una sola persona, puede ocasionarse una lesión en la espalda o de otro tipo.

Retire el empaque

- Retire la caja de cartón de la máquina de hielo.
- Quite las dos (2) ménsulas de transporte que sujetan la máquina de hielo a la tarima.
- Quite el panel frontal de la máquina de hielo aflojando los dos (2) tornillos en la base del panel. Levante el panel para quitarlo.
- Retire la cinta que sujeta la cortina de recolección de hielo y el protector de salpicaduras durante el envío.

Coloque la máquina de hielo sobre un depósito

- Coloque la máquina de hielo sobre el depósito con ayuda de dos o más personas. Si utiliza equipo de levantamiento, sujete la máquina de hielo por abajo.
- Asegúrese de que la parte delantera de la máquina de hielo y la parte delantera del depósito estén alineadas. Asegúrese de que los lados de la máquina de hielo y del depósito estén alineados.
- Fije la máquina de hielo al depósito con las dos (2) correas que se localizan en la parte trasera de la máquina de hielo.

Requisitos de ubicación



ADVERTENCIA

Riesgo de incendio

Asegúrese de no haya obstrucciones en ninguna de las aperturas de ventilación de la carcasa del aparato o de la estructura donde se instala.

Si no lo hace, la consecuencia puede ser la muerte, una explosión o un incendio.

IMPORTANTE: El aparato está diseñado para usarse únicamente con fines comerciales y en ambientes interiores. Los aparatos con refrigerante R290 y una carga superior a los 114 gramos no deben instalarse en corredores ni en vestíbulos. La instalación del aparato debe cumplir con la norma ANSI/ASHRAE 15.

Asegúrese de que el área del piso sea suficiente para la carga del refrigerante o que el conducto de ventilación se haya ensamblado correctamente.

Revise el equipo de seguridad antes de ponerlo a funcionar.

El instalador debe dejar un espacio adecuado para que haya una ventilación adecuada para garantizar el funcionamiento óptimo. Existe tres (3) opciones distintas de distribución: salida de aire estándar, salida de aire dirigida hacia arriba y salida de aire dirigida hacia un lado.

Espacios para la salida de aire estándar:

Parte trasera: 6 pulg. (152 mm) Arriba: 6 pulg. (152 mm)
Izquierda: 6 pulg. (152 mm) Derecha: 6 pulg. (152 mm)

Espacios para la salida de aire dirigida hacia arriba:

Parte trasera: 6 pulg. (152 mm) Arriba: 6 pulg. (152 mm)
Izquierda: 6 pulg. (152 mm) Derecha: 0 pulg. (0 mm)

Espacios para la salida de aire dirigida hacia un lado:

Parte trasera: 6 pulg. (152 mm) Arriba: 3 pulg. (76 mm)
Izquierda: 6 pulg. (152 mm) Derecha: 6 pulg. (152 mm)

>150 g A3 Espacios libres de carga del sistema de refrigerante:

Parte trasera: 3 ft. (1 m) Arriba: 19 pulg. (483 mm)
Izquierda: 3 ft. (1 m) Derecha: 3 ft (1 m)

Realice las conexiones eléctricas



ADVERTENCIA

Riesgo de descarga eléctrica

Las conexiones eléctricas debe hacerlas personal de servicio autorizado.

Si no las hace personal de servicio autorizado, la consecuencia puede ser la muerte, un incendio o una descarga eléctrica.

Asegúrese de contar con las conexiones eléctricas correctas:

- Consulte la placa del número de serie que se encuentra en el costado izquierdo de la máquina para conocer el voltaje de suministro requerido y la capacidad del disyuntor.
- El aparato debe instalarse en un circuito dedicado.
- Debe incorporarse en la instalación eléctrica fija un medio para desconectar el aparato del suministro eléctrico, de acuerdo con las normas de cableado.

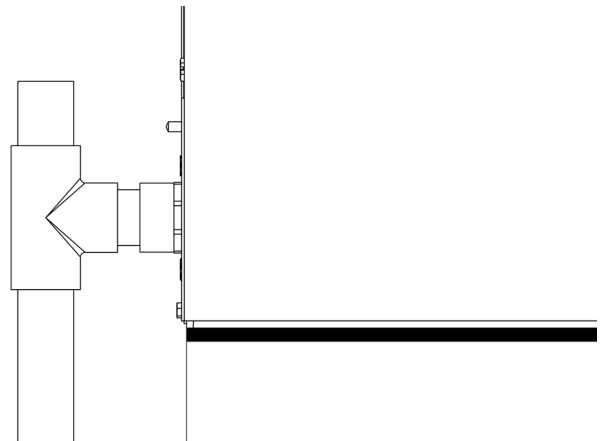
Realice las conexiones de suministro de agua

- IMPORTANTE:** Únicamente personal autorizado debe hacer las conexiones de suministro de agua, las cuales deben cumplir con los códigos de plomería que apliquen. La conexión sólo debe realizarse a una red de suministro de agua potable y se recomienda instalar un sistema de filtración y tratamiento de agua con la máquina de hielo. Consulte la hoja de especificaciones del filtro de agua. El agua tratada por ósmosis inversa (*reverse osmosis*, RO) es muy ácida y deteriora el evaporador y otras piezas de metal en la máquina. También puede promover el crecimiento de moho microbiano y de fango. Si se usa agua tratada por ósmosis inversa, verifique que el pH sea neutral (7.0). Si no lo hace, la posible consecuencia sería la anulación de la garantía. **NOTA:** Si se incluye, utilice el juego de mangueras nuevo que viene con el aparato. No reutilice los juegos de mangueras viejos.
- Deje dos bucles de tubería adicionales detrás de la máquina de modo que esta se pueda apartar de la pared en caso de que sea necesario darle mantenimiento.
 - Conecte la tubería de la red de suministro de agua (diámetro externo mínimo de 3/8 de pulgada) a la máquina con accesorios de 3/8 de pulgada MPT y cinta para tubería PTFE.
 - Habilite la presión de la red de suministro de agua. Revise que no haya fugas en ninguna de las conexiones.

Realice las conexiones de la tubería de desagüe

IMPORTANTE: Únicamente personal autorizado debe hacer las conexiones con la tubería de desagüe de agua, las cuales deben cumplir con los códigos de plomería que apliquen.

- Conecte la tubería de la línea de desagüe (diámetro externo mínimo de 3/4 de pulgada) a la máquina con accesorios de 3/4 de pulgada MPT y cinta para tubería PTFE. Aísle la tubería de desagüe para evitar que se forme condensación. **NOTA:** No se recomienda usar tubos flexibles. Ventile la tubería de desagüe para evitar el retroceso hacia la máquina.
- Tienda la tubería de desagüe hacia el drenaje de piso. **NOTA:** No se recomienda el uso de bombas de agua de condensación.

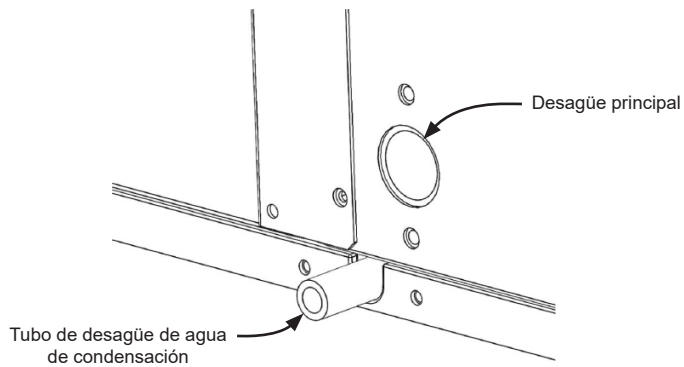


Ejemplo de ventilación en la tubería de desagüe

Realice las conexiones del desagüe de agua de condensación

Es posible que, para lo entornos con altos niveles de humedad, se requiera usar la conexión del desagüe de agua de condensación.

- Se debe usar un tubo con un diámetro externo de 1/2 pulgada (12.7 mm) a 9/16 de pulgada (14.3 mm) como tubería de desagüe de agua de condensación.
- Agregue silicona a la parte externa del tubo que se inserta en la máquina de hielo.
- Inserte el tubo aproximadamente 1 pulgada (25 mm) entre el orificio del drenaje para agua de condensación y el marco de la máquina de hielo ubicado en la parte posterior de la máquina, debajo de la conexión principal de desagüe.
NOTA: Si es difícil insertar el tubo, se pueden aflojar los tornillos que sujetan el marco de metal a la base de plástico. Vuelva a apretar los tornillos cuando el tubo esté completamente insertado.
- Conecte el tubo al desagüe y asegúrese de que tenga soporte para evitar que se doble o que la tubería de desagüe se afloje.
- Coloque silicona alrededor del borde externo de la conexión, según sea necesario, para garantizar un sellado adecuado.



INSTALACIÓN DEL CONDENSADOR REMOTO

IMPORTANTE: Para una adecuada operación de la máquina de hielo, se deben seguir los lineamientos que se indican a continuación. Si no los sigue, puede haber una pérdida de la capacidad de producción o una falla prematura de alguna pieza, y podrían anularse todas las garantías.

Límites de temperatura ambiente

- Temperatura ambiente del aire: De -28.9 a 48.9 °C (-20 a 120 °F)

Límites de ubicación

Use la información siguiente para planificar la colocación del condensador remoto con relación a la máquina de hielo.

La ubicación del condensador remoto no debe exceder **NINGUNO** de los siguientes límites. Si hay configuraciones que no cumplan con estos requisitos, el fabricante debe autorizarlas por escrito.

- Elevación máxima desde la máquina de hielo hasta el condensador remoto: 35 pies físicos [10.67 metros físicos]
- Caída máxima desde la máquina de hielo hasta el condensador remoto: 10 pies físicos [3.05 metros físicos]
- Longitud máxima del conjunto de tubos: 75 pies físicos [22.86 metros físicos]
- Longitud máxima calculada del conjunto de tubos: 100 pies (30.48 m)

Determine la longitud calculada del conjunto de tubos usando las fórmulas siguientes:

$$\text{Longitud calculada del conjunto de tubos} = \text{Caída} + \text{elevación} + \text{recorrido horizontal}$$

$$\text{Caída} = dd \times 6.6 \quad \text{donde } dd = \text{distancia de caída en pies o metros}$$

$$\text{Elevación} = dd \times 1.7 \quad \text{donde } dd = \text{distancia de elevación en pies o metros}$$

$$\text{Recorrido horizontal} = \text{distancia horizontal en pies o metros}$$

IMPORTANTE: No tienda un conjunto de tubos que suba, baje y luego vuelva a subir. No tienda un conjunto de tubos que baje, suba y luego vuelva a bajar.

Ubicación del condensador remoto

Los conjuntos de tubos precargados y los kits para tubería están disponibles en longitudes de 25 pies (7.62 m), 40 pies (12.19 m) o 75 pies (22.86 m) para conectar

la máquina de hielo y el condensador remoto. Seleccione la mejor ubicación con el fin de proteger el condensador remoto de condiciones extremas de suciedad, polvo y luz solar. La instalación debe cumplir con todos los códigos de construcción vigentes. Es posible que se requieran los servicios de un electricista autorizado.

Fijación en el techo

Instale y fije el condensador remoto en el techo usando los métodos y las prácticas de construcción que cumplan con los códigos de construcción locales, lo que incluye pedirle a un contratista en trabajos de techado que fije el condensador remoto al techo.

Conexión eléctrica

Pídale a un electricista que conecte los cables del motor del ventilador del condensador remoto a la máquina de hielo usando la caja de conexiones que se localiza en la parte posterior de la máquina.

Tendido de los tubos de refrigerante

IMPORTANTE: No conecte los tubos precargados antes de haber terminado de tender y ajustar la tubería. No doble ni aplaste la tubería de refrigerante.

Consulte las instrucciones de acoplamiento incluidas con el condensador remoto para obtener información sobre la conexión.

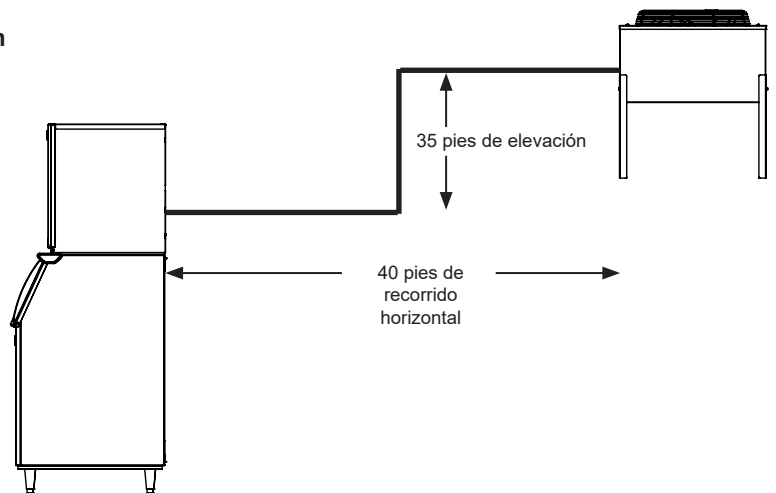
Los conjuntos de tubos de refrigerantes constan de dos (2) tubos: un tubo de líquido de 3/8 de pulgada (9.52 mm) de diámetro y un tubo de descarga de 1/2 pulgada (12.7 mm) de diámetro. Pídale a un contratista de trabajos de techado que haga un orificio de 2.5 pulgadas (63.5 mm) para los tubos de refrigerante. Verifique que las perforaciones cumplan con los códigos locales. Es posible que sea necesario hacer un orificio por separado para la electricidad.

Tienda los tubos de refrigerante a través de la apertura del techo. Tienda los tubos en línea recta siempre que sea posible. Si hay demasiado tubo, no debe salir a exteriores; haga bucles con el exceso de modo que quede en el interior del edificio. Haga el bucle de forma horizontal para evitar que el aceite quede atorado en el tubo. Pídale al contratista de trabajos de techado que selle los orificios en el techo en cumplimiento con los códigos locales.

Ejemplo de cálculo del recorrido equivalente: Elevación

Longitud calculada del conjunto de tubos = (Elevación x 1.7)
+ (Caída x 6.6) + Recorrido horizontal
Longitud calculada del conjunto de tubos = (35 x 1.7) + (0 x 6.6) + 40
Longitud calculada del conjunto de tubos = 99.5 pies

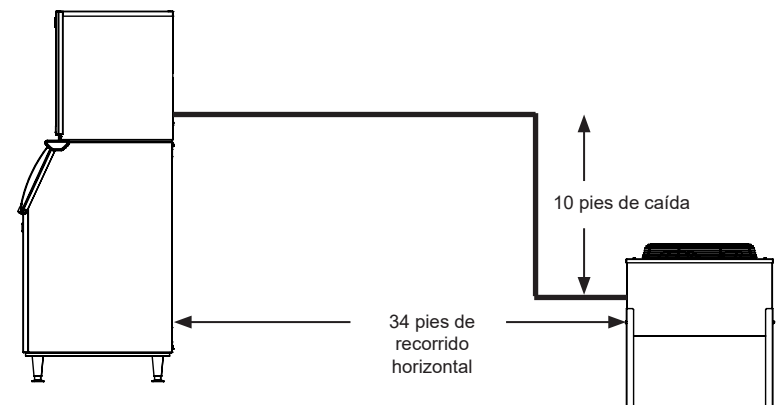
La longitud calculada del conjunto de tubos no debe exceder 100 pies



Ejemplo de cálculo del recorrido equivalente: Caída

Longitud calculada del conjunto de tubos = (Elevación x 1.7) + (Caída x 6.6)
+ Recorrido horizontal
Longitud calculada del conjunto de tubos = (0 x 1.7) + (10 x 6.6) + 34
Longitud calculada del conjunto de tubos = 100 pies

La longitud calculada del conjunto de tubos no debe exceder 100 pies



OPERACIÓN

Arranque

1. Asegúrese de que la presión del suministro de agua esté habilitada. Asegúrese de tender la tubería de desagüe hacia el drenaje de piso. Encienda el suministro de electricidad de la unidad; el foco indicador que se localiza cerca de los botones debe iluminarse de color rojo.
2. Oprima y suelte el botón de encendido/apagado rápidamente. El foco indicador debe cambiar a color azul. En ese momento, la máquina se encenderá y comenzará a producir hielo.
3. Siga la secuencia de operaciones descrita a continuación. Revise el funcionamiento de cada componente durante el ciclo, según se explica más abajo.

Secuencia de operaciones del ciclo de congelamiento

- Después de que la unidad se ha encendido, la válvula de ENTRADA de agua se activa. El agua llena el colector hasta que el flotador superior llega a la posición de cierre.
- La válvula de gas caliente se abre durante cinco segundos. El compresor y el motor del ventilador se activan y, después de cinco segundos, la válvula de gas caliente se cierra. La placa del evaporador comienza el enfriamiento previo.
- Después del enfriamiento previo, la bomba de agua se activa. En ese momento, el agua comienza a circular por la placa del evaporador.
- Cuando el agua en el colector alcanza el punto fijo predeterminado de fábrica, la unidad desactiva la bomba de agua durante veinte segundos para evitar que haya derrames en el colector.
- El agua sigue circulando por la placa del evaporador hasta que el flotador inferior alcanza la posición de cierre, lo que indica que se formó un bloque completo de hielo en el evaporador. En ese momento, la unidad inicia un ciclo de recolección.

Secuencia de operaciones del ciclo de recolección de hielo

- Una vez que comienza el ciclo de recolección, se abren la válvula de gas caliente, la válvula de purga y la válvula de entrada de agua. La válvula de entrada de agua permanece activada durante un tiempo adicional después de que la válvula de purga se cierra, lo que permite que el colector se llene parcialmente de agua.
- La unidad continuará en este modo hasta que el motor de asistencia de recolección empuja el bloque de hielo para que se desprenda de la placa de evaporador.
- Conforme el bloque de hielo se separa de la unidad, entra en contacto con la cortina, lo que hace que el interruptor de la cortina se active; esto indica que el bloque se ha recolectado.
- Si el interruptor de la cortina se queda abierto después del tiempo predeterminado de fábrica en el ciclo de recolección, la unidad se apaga; esto indica que el depósito de hielo está lleno. Si el interruptor de la cortina se queda abierto y se cierra con la recolección del hielo, se vuelve a iniciar el siguiente ciclo de congelamiento en la unidad.

Apagado

Para el apagado normal: Oprima y suelte el botón de encendido/apagado rápidamente. El foco indicador cambia de color azul sólido a azul parpadeante. La máquina completará el ciclo de congelamiento actual y recolectará el hielo. Luego, se apagará. El foco indicador cambiará a color rojo sólido.

Para el apagado acelerado: Oprima y mantenga oprimido el botón de encendido/apagado durante tres segundos. El foco indicador cambia de color azul sólido a azul parpadeante. La máquina entrará inmediatamente en modo de recolección y se apagará después de que finalice. El foco indicador cambiará a color rojo sólido.

Para el apagado inmediato: Oprima y mantenga oprimido el botón de encendido/apagado durante seis segundos. La máquina se apagará inmediatamente. El foco indicador cambia de color azul sólido a rojo sólido.

SERVICIO



ADVERTENCIA

Riesgo de descarga eléctrica

Desconecte el suministro eléctrico de la máquina antes de realizar ajustes o reparaciones.

Si no las hace personal de servicio autorizado, la consecuencia puede ser la muerte, un incendio o una descarga eléctrica.

IMPORTANTE: Para brindar un servicio adecuado y seguro, lea estas instrucciones por completo. Todo el trabajo de servicio debe ser realizado por personal de servicio autorizado. Si no se realiza el mantenimiento requerido en la frecuencia especificada, se anulará la cobertura de la garantía en caso de que se produzca un fallo relacionado.

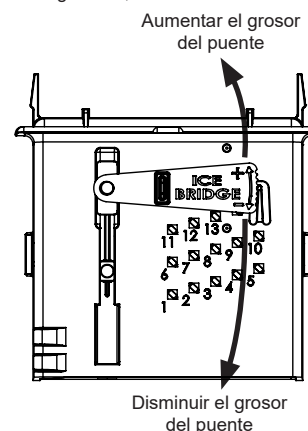
Procedimiento general de mantenimiento

Para garantizar un funcionamiento económico y libre de problemas de la máquina, se recomienda que los elementos de mantenimiento siguientes se lleven a cabo cada seis meses.

1. Limpie la zona de comida siguiendo los lineamientos de la sección "Servicio: Procedimiento de limpieza". La limpieza debe realizarse por lo menos cada seis meses. Es posible que la limpieza se realice con más frecuencia según las condiciones locales del agua.
2. Revise y ajuste el grosor del puente de hielo según sea necesario conforme a los lineamientos de la sección "Servicio: Ajuste el grosor del puente de hielo".
3. Limpie el condensador y el filtro del condensador (cuando corresponda) para garantizar que no haya obstrucciones en el flujo de aire.
4. Compruebe que no haya fugas de ningún tipo, como de agua o refrigerante.
5. Revise todas las conexiones eléctricas.
6. Revise el filtro de agua (si corresponde) y reemplácelo si está sucio u tapado.
7. Inspeccione el tubo de distribución de agua del evaporador para asegurar una distribución uniforme del agua a través del evaporador. Si el flujo de agua no es uniforme, limpie o reemplace el tubo de distribución.

Ajuste el grosor del puente de hielo

1. Permita que la máquina produzca por lo menos una placa de hielo.
2. En el segundo ciclo de recolección, mida el grosor del puente de hielo por el centro de la placa de hielo. Cuando se mide por el centro de la placa, el grosor adecuado del puente debe ser de 3/16 de pulgada (5 mm) para CIM03 y de 1/8 de pulgada (3 mm) para todas las demás máquinas. De manera alterna, los lotes de hielo pueden pesarse para determinar el grosor adecuado del puente. Consulte la tabla de abajo para conocer los pesos adecuados de los lotes de hielo.
3. Si fuera necesario hacer algún ajuste, se pueden hacer ajustes pequeños usando el brazo de ajuste del grosor del puente de hielo en el compartimiento del flotador. Consulte la figura a continuación. El compartimiento del flotador se encuentra en el interior del colector de agua. No es necesario quitar el colector para hacer ajustes pequeños.
4. Gire la perilla de ajuste en el sentido de las manecillas del reloj para disminuir el grosor del puente. Gire la perilla de ajuste en sentido contrario de las manecillas del reloj para aumentar el grosor del puente. Se escuchará un chasquido. Nota: Se recomienda realizar ajustes uno o dos "chasquidos" a la vez.
5. Para hacer ajustes más grandes, consulte el manual de servicio.



Modelo	Peso del lote (libras)		
	Media luna	Cubo	Cubo grande
CIM03	De 2.9 a 3.15	De 3.25 a 3.5	-
CIM04/CIM05/CIM06	De 4.9 a 5.15	De 5.5 a 5.8	-
CIM08/CIM11	De 6.9 a 7.4	De 7.9 a 8.3	De 8.4 a 8.8
CIM14/CIM20	De 13.8 a 14.8	De 15.8 a 16.6	-

Descripción general de la limpieza



ADVERTENCIA

Riesgo de corrosión/irritación de la piel

Siempre use guantes protectores, ropa de protección y protección ocular mientras manipula soluciones descalcificantes y desinfectantes.

Si no hace esto, podría sufrir irritación en la piel o daño en los ojos.

La limpieza adecuada de una máquina de hielo consta de dos pasos: descalcificación y desinfección.

La **descalcificación** debe programarse por lo menos dos veces por año, pero no más de una vez por mes. La descalcificación disuelve los depósitos minerales en el evaporador y en otras superficies. Elimina el sarro, el calcio, la cal y la acumulación de otros minerales. La máquina Ice-O-Matic requiere un limpiador "seguro para

piezas de níquel”, como el limpiador para máquinas de hielo Nu-Calgon Nickel-Safe, diluido según las instrucciones del fabricante. Disuelta, la composición química es ácido cítrico al 5 o al 10 %. Consulte el sitio web del fabricante para conocer las formulaciones químicas aprobadas y el equilibrio de pH adecuado.

La **desinfección** debe realizarse después de cada descalcificación, pero no más de una vez por mes. La desinfección permite desinfectar la máquina y eliminar el crecimiento microbiano, incluyendo moho y fango. La máquina Ice-O-Matic requiere un desinfectante “seguro para piezas de níquel” como Nu-Calgon IMS-III. Consulte el sitio web del fabricante para conocer las formulaciones químicas aprobadas y el equilibrio de pH adecuado.

IMPORTANTE: No mezcle las soluciones descalcificantes con las desinfectantes. La máquina debe estar encendida para completar el ciclo de limpieza. Tome precauciones mientras trabaja dentro de la máquina.

IMPORTANTE: Nunca use soluciones limpiadoras o desinfectantes que contengan ácido nítrico, ácido sulfúrico, ácido clorhídrico, ácido carbólico, ácido acético, ácido acético diluido, vinagre de grado no alimenticio (concentración de ácido acético mayor al 6 % sin enzimas generadas durante el procesamiento), cloro, dióxido de cloro o sales como cloruro de potasio (sales de potasio) o cloruro de sodio. Revise la etiqueta o las hojas de datos de seguridad del fabricante (*safety data sheets*, SDS) para estar seguro. El uso de estas sustancias químicas puede deteriorar la superficie del evaporador y otros metales, lo que causa corrosión y descamación, y anula la garantía.

Procedimiento de limpieza

1. Quite todo el hielo del depósito para evitar la contaminación.
2. Oprima y mantenga oprimido el botón de encendido/apagado durante tres segundos para iniciar el ciclo de recolección. El foco indicador de estado cambia de color azul sólido a azul que parpadea.
3. Una vez que la máquina haya completado el ciclo de recolección, el foco indicador de estado cambiará a color rojo sólido, lo que indica que la máquina está apagada.
4. Oprima y suelte rápidamente el botón de limpieza para iniciar el proceso. Los focos indicadores de estado se verán de color rojo sólido y amarillo parpadeante durante el ciclo de limpieza.
5. Espere a que el agua comience a circular sobre la placa del evaporador. Vierta con cuidado la cantidad apropiada de descalcificador (vea la tabla a continuación) en el colector.
6. La máquina permanecerá en el ciclo de lavado durante 15 minutos. Después del ciclo de lavado, la máquina purgará y rellenará el colector con agua limpia y luego hará un enjuague durante un minuto. Posteriormente, volverá a purgar, llenar y enjuagar. Cuando el ciclo de limpieza haya finalizado, los focos indicadores se verán de color rojo y amarillo sólidos. Oprima y suelte rápidamente el botón de limpieza para volver al modo de apagado, en el que el foco indicador se verá de color rojo solamente.
7. Quite la cortina del colector. Con una concentración adecuada de solución y un paño suave, limpie el evaporador, el agua derramada, el tubo de distribución de agua, la cortina y todas las superficies salpicadas. Verifique que se hayan quitado todos los residuos y los restos de minerales.
8. Si se requiere una limpieza completa de los componentes de agua, consulte en el manual de servicio cómo desconectar los componentes del sistema de agua. Se recomienda que un agente de servicio calificado lleve a cabo una limpieza completa.
9. Vuelva a ensamblar en sentido inverso los componentes del sistema de agua de la máquina de hielo.
10. Se recomienda desinfectar la máquina de hielo después de la descalcificación. Repita este mismo proceso con una solución desinfectante en la proporción adecuada (consulte la tabla).
11. Se recomienda limpiar (descalcificar y desinfectar) el depósito de hielo después de limpiar la máquina.
12. Cuando finalice, oprima y suelte el botón de encendido/apagado rápidamente para que la máquina de hielo regrese al ciclo de producción de hielo.

Limpieza de acero inoxidable y aluminio

Los grados comerciales de acero inoxidable y aluminio son susceptibles a la corrosión si no reciben el mantenimiento adecuado. Es importante que cuide correctamente las superficies de acero inoxidable y aluminio de la máquina de hielo para evitar la posibilidad de que se forme corrosión. Se recomienda limpiar las superficies de acero inoxidable y aluminio una vez por año para evitar la acumulación de manchas duras y difíciles de quitar. Siga las pautas a continuación para que la máquina siempre se vea como nueva.

IMPORTANTE: No use herramientas abrasivas para limpiar la superficie de metal. No utilice lana de acero, esponjas abrasivas, cepillos de metal o lijas para limpiar el metal. No use limpiadores que contengan cloro. No use productos que contengan cloro para limpiar las superficies de metal.

1. Con un paño no abrasivo o con una esponja y un agente de limpieza adecuado (consulte la tabla a continuación), limpie las superficies de acero inoxidable y aluminio en la misma dirección del grano.
2. Enjuague con agua limpia y seque de inmediato con un paño.

Para hacer una limpieza de rutina: Utilice jabón suave para trastes, amoníaco, limpiador de vidrio, detergente suave con agua u otras sustancias químicas para la limpieza del hogar aprobadas para superficies de metal. Aplique con un paño limpio o con una esponja. Enjuague con agua limpia y seque con un paño.

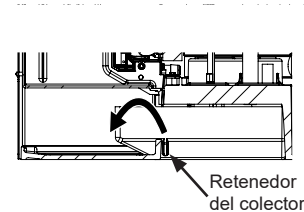
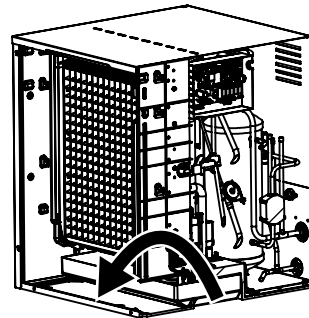
Para quitar grasa o ácidos grasos: Utilice limpiadores para horno. Aplique una cantidad abundante; deje actuar durante 15 a 20 minutos. Enjuague con agua limpia. Repita según se requiera.

Para quitar agua dura: Use vinagre. Friegue o limpie con un paño limpio. Enjuague con agua y seque con un paño.

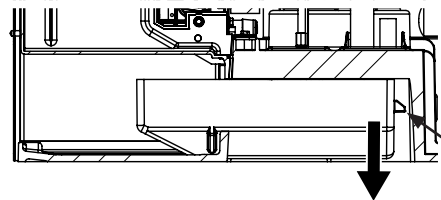
Procedimiento de retiro del colector

Es posible que sea necesario quitar el colector de agua para hacer una limpieza y una desinfección adecuadas, o bien para ajustar el grosor del puente de hielo.

1. Levante el colector y jálelo hacia adelante. Esto permitirá que los accesorios de sujeción en el colector se suelten del marco.



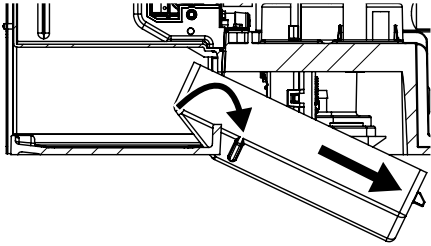
2. Una vez que se hayan retirado todas las pestañas de soporte del marco, deje que la parte trasera del colector se caiga.



Pestaña de soporte

Modelo	Volumen del colector	Proporción de concentración de 5 onzas líquidas por 1 galón de agua (39 ml por 1 litro de agua) del limpiador para máquina de hielo Nu-Calgon Nickel Safe	Proporción de concentración de 1.6 onzas líquidas por 1 galón de agua (12.5 ml por 1 litro de agua) de desinfectante NU-Calgon IMS-III
CIM03	0,9 galones (3,4 litros)	Añada 4.5 onzas líquidas (133 ml)	Añada 1.5 onzas líquidas (44 ml)
CIM04/CIM05/CIM06	1.2 galones (4.5 litros)	Añada 6 onzas líquidas (177 ml)	Añada 2 onzas líquidas (59 ml)
CIM08/CIM11	1.1 galones (4.2 litros)	Añada 5.5 onzas líquidas (164 ml)	Añada 1.8 onzas líquidas (53 ml)
CIM14/CIM20	1.8 galones (6.8 litros)	Añada 9.0 onzas líquidas (265 ml)	Añada 2.9 onzas líquidas (85 ml)

3. Al igual que en el paso 1, levante la parte delantera del colector y empuje hacia atrás para permitir que los accesorios de sujeción en el colector se suelten del marco. Empuje hacia la parte de atrás hasta que el colector se suelte del marco. Gire el colector de lado y sáquelo a través de la zona de caída de hielo.



4. Para volverlo a instalar, invierta los pasos 1 a 3 y meta el tubo de bomba de agua en el colector cuando este esté en su lugar.

REPARACIÓN



ADVERTENCIA

Se puede utilizar refrigerante inflamable.

Siga cuidadosamente las instrucciones de manejo de acuerdo con las normativas federales o locales.

Asegúrese de que el lugar de reparación esté bien ventilado.

Tenga en cuenta que el mal funcionamiento del equipo puede ser causado por la pérdida de refrigerante y que es posible que haya una fuga de refrigerante.

Descargue los condensadores de alguna manera que no se genere ninguna chispa.

Si no lo hace, la consecuencia puede ser la muerte, una explosión o un incendio.

- Todo el personal de mantenimiento y las personas que trabajen en la localidad deberán recibir instrucciones sobre la naturaleza de los trabajos realizados. Se deberá evitar trabajar en espacios reducidos.
- El área se revisará con un detector de refrigerante adecuado antes de hacer cualquier trabajo o durante cualquier trabajo, con el fin de garantizar que el técnico sepa si existe la posibilidad de que tenga que trabajar en una atmósfera tóxica o inflamable. Asegúrese de que el equipo de detección de fugas usado sea adecuado para todos los refrigerantes correspondientes; es decir, que no produzca chispas, que esté sellado adecuadamente o que sea intrínsecamente seguro.
- Queda prohibido usar colorantes para detectar fugas de refrigerante, ya que esto anulará las garantías.
- Si se harán labores que impliquen calor en el equipo de refrigeración o en cualquier pieza asociada, se deberá tener a la mano el equipo de extinción de incendios adecuado. Al lado de la zona de carga, deberá haber un extintor de incendios con químicos secos o de CO₂.
- Ninguna persona que realice labores relacionadas con un sistema de refrigeración y que conlleven exponer tubería usará fuentes de combustión de manera tal que pudiera implicar el riesgo de incendio o de explosión. Todas las posibles fuentes de combustión, incluido el fumar cigarrillos, deberán mantenerse lo suficientemente lejos del lugar de instalación, reparación, extracción y desecho; actividades durante las que el refrigerante podría derramarse en el espacio circundante. Antes de las labores, se deberá revisar la zona que rodea el equipo para cerciorarse de que no haya peligros inflamables ni riesgos de combustión. Se deben colocar señales de "No fumar".
- Asegúrese de que la zona esté abierta o debidamente ventilada antes de manipular el sistema o de realizar labores con calor. Durante el período en que se lleven a cabo las labores, se deberá mantener cierto grado de ventilación. La ventilación deberá dispersar de manera segura cualquier refrigerante que se libere y, de preferencia, expulsarlo hacia la atmósfera.
- Cuando se tengan que cambiar componentes eléctricos, deberán ser acordes al objetivo y cumplir con las especificaciones correctas. En todo momento se deben seguir las pautas de mantenimiento y servicio del fabricante. Si tiene dudas, comuníquese con el departamento de servicio técnico del fabricante para recibir ayuda.
- Se deberán hacer las revisiones siguientes durante las labores de instalación en las que se usen refrigerantes inflamables:
 - La carga real del refrigerante es acorde al tamaño del cuarto, en el que se instalan las partes que contienen refrigerante.
 - Las señalizaciones del equipo deberán ser visibles y legibles. Las marcas y señas que no sean legibles deberán ser corregidas.
- La reparación y el mantenimiento de los componentes eléctricos deberán incluir controles de seguridad iniciales y procedimientos de inspección de los componentes. En caso de que se produzca una falla que pudiera poner en riesgo la seguridad, no se deberá conectar la fuente de suministro de electricidad al circuito sino hasta que se haya corregido de manera satisfactoria. Si la falla no se puede corregir de inmediato, pero es un requisito para continuar la operación, se deberá adoptar una solución temporal adecuada. Esto se debe comunicar al propietario del equipo de modo que todas las partes estén informadas al respecto. Los controles de seguridad iniciales incluyen:
 - Que los capacitores estén descargados: esto se debe hacer de manera segura para evitar posibles chispas.
 - Que ningún componente eléctrico y cable activo quede expuesto durante la carga, la recuperación o la purga del sistema.
 - Que la conexión a tierra sea continua.
- Durante las reparaciones de los componentes sellados, todos los suministros eléctricos deberán desconectarse del equipo usado antes de quitar las cubiertas selladas, etc. Si fuera absolutamente necesario que un suministro eléctrico permaneciera conectado al equipo durante las tareas de servicio, debe colocarse un detector de fugas de operación continua en el punto más crítico para advertir sobre situaciones que podrían ser peligrosas.
- Deber prestarse atención en lo siguiente para garantizar que los trabajos realizados en los componentes eléctricos no alteren la carcasa de manera tal que el nivel de protección se vea afectado. Esto incluye daños en los cables, exceso de conexiones, terminales no definidos en las especificaciones originales, daños en los sellos, accesorios de tamaño incorrecto, etc. Asegúrese de que el aparato haya quedado montado de manera segura. Asegúrese de que los sellos o los materiales de sellado no presenten tal desgaste que ya no sirvan para impedir el ingreso de atmósferas inflamables. Las piezas de repuesto deben cumplir con las especificaciones del fabricante.
- No aplique cargas inductivas o de capacitancia permanentes en el circuito sin asegurarse de que no excedan el voltaje y la corriente permisibles para el equipo usado.
- Los componentes intrínsecamente seguros son los únicos tipos de componentes que se pueden usar en presencia de una atmósfera inflamable. Los dispositivos de prueba o de medición se calibrarán y ajustarán de manera correcta para la aplicación.
- Cambie los componentes únicamente con piezas especificadas por el fabricante. Otras piezas pueden causar la combustión del refrigerante en la atmósfera debido a una fuga.
- Revise que el cableado no presente desgaste, corrosión, presión excesiva, vibraciones, bordes filosos ni otros efectos medioambientales adversos. Durante la revisión, también se deben tomar en cuenta los efectos del uso o de las vibraciones continuas de fuentes como compresores o ventiladores.
- En ninguna circunstancia, se deben usar posibles fuentes de combustión durante la búsqueda o detección de fugas de refrigerante. No se deben usar antorchas de halogenuros (ni ningún otro detector que use llamas abiertas).
- Los siguientes métodos de detección de fugas se consideran aceptables para todos los sistemas de refrigerante:
 - Se pueden usar detectores electrónicos de fugas para detectar fugas de refrigerante; sin embargo, en el caso de los refrigerantes inflamables, la sensibilidad podría ser inadecuada o podría ser necesario repetir la calibración. El equipo de detección debe calibrarse en una zona donde no haya refrigerante. Asegúrese de que el detector no sea una posible fuente de combustión y que sea adecuado para el refrigerante utilizado. El equipo de detección de fugas debe configurarse en un porcentaje de LFL del refrigerante y calibrarse en función del refrigerante empleado. Se deberá confirmar el porcentaje correcto de gas (25 % como mínimo).
 - Los líquidos de detección de fugas también son adecuados para la mayoría de los refrigerantes. Sin embargo, se deberá evitar usar detergentes que contengan cloro, ya que el cloro puede reaccionar con el refrigerante y corroer las tuberías de cobre. Algunos ejemplos de detección de fugas con líquidos son el método de burbujas y el uso de agentes fluorescentes.
- Si se sospecha que hay una fuga, se deberán eliminar/extinguir todas las llamas abiertas.
- Si se detecta una fuga de refrigerante que requiera soldadura, todo el refrigerante deberá recuperarse del sistema o deberá descargarse hacia el exterior (si lo permiten los códigos locales y nacionales).
- Cuando sea necesario soldar, se deberán seguir los procedimientos a continuación en el orden indicado:
 1. Retire el refrigerante de manera segura, conforme a las normativas locales y nacionales. Si no es necesario hacer labores de recuperación conforme a las normativas nacionales, drene el refrigerante hacia afuera del sistema. Tenga cuidado de que el refrigerante drenado no regrese al edificio.
 2. Purgue el circuito de refrigerante con nitrógeno libre de oxígeno durante 5 minutos.
 3. Evacúe de nuevo.
 4. Quite las partes que quiera reemplazar cortándolas y soldando.
 5. Purgue la unión soldada con nitrógeno durante el procedimiento de soldadura requerido para la reparación.
 6. Realice una prueba de fugas antes de cargar con refrigerante.
- Revise el equipo de seguridad antes de ponerlo a funcionar.

Procedimiento de desmantelamiento/ almacenamiento durante el invierno

IMPORTANTE: Siempre que se deje de usar la máquina de hielo durante los meses de invierno, se debe realizar el procedimiento siguiente. De lo contrario, pueden ocasionarse daños graves y se anularán todas las garantías.

1. Desconecte el suministro de agua de la máquina.
2. Asegúrese de que no haya hielo en el evaporador. Si se está produciendo hielo, inicie la recolección presionando el botón de encendido/apagado durante aproximadamente tres segundos. La unidad se apagará automáticamente después de la recolección.
3. Desconecte el tubo entre la descarga de la bomba de agua y el tubo de distribución de agua. Drene el agua.
4. Retire todo el hielo en el depósito de hielo y deséchelo.

ELIMINACIÓN



ADVERTENCIA

Peligro de incendio o explosión

Se puede utilizar refrigerante inflamable.

Siga cuidadosamente las instrucciones de manejo de acuerdo con las normativas federales o locales.

Deseche adecuadamente de acuerdo con las normativas federales o locales.

IMPORTANTE: Este aparato contiene refrigerante y debe desecharse de acuerdo con los códigos y las normativas nacionales, estatales y locales vigentes. El refrigerante debe ser recuperado por personal de servicio debidamente certificado.

- Asegúrese de que la ventilación en el lugar de trabajo sea suficiente.
- Retire el refrigerante. Si no es necesario hacer labores de recuperación conforme a las normativas nacionales, drene el refrigerante hacia afuera del sistema. Tenga cuidado de que el refrigerante drenado no vaya a causar ningún peligro. Si tiene dudas, una persona debe atender la salida. Tenga cuidado de que el refrigerante drenado no se desplace de regreso al edificio.
- Cuando se utilizan refrigerantes inflamables:
 1. Evacúe el circuito de refrigerante.
 2. Purgue el refrigerante con nitrógeno libre de oxígeno.
 3. Evacúe de nuevo.
 4. Corte el compresor y drene el aceite.

GARANTÍA DE ICE-O-MATIC

Todas las máquinas de hielo de Ice-O-Matic cuentan con una garantía que brinda cobertura de piezas y mano de obra. Para ver los detalles de la garantía, registrar productos o comprobar el estado de la garantía, visite www.iceomatic.com/warranty.

CÓMO ENCONTRAR UN PROVEEDOR DE SERVICIOS

Para encontrar un proveedor de servicios, visite www.iceomatic.com.

CONTÁCTENOS

Para obtener servicio de garantía, llame al 1-855-832-4466 o visite nuestro sitio web www.iceomatic.com.

Mile High Equipment, LLC
11100 E 45th Ave
Denver, CO 80239
Estados Unidos de América