



Wrapping Machine
Model SE-KR-0450
Item 43486
Instruction Manual



Revised - 12/06/2018



Toll Free: 1-800-465-0234
Fax: 905-607-0234
Email: service@omcan.com
www.omcan.com

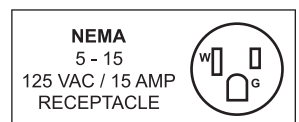


Table of Contents

Model SE-KR-0450

Section	Page
General Information -----	3 - 4
Safety and Warranty -----	4 - 5
Technical Specifications -----	6
Installation and Operation -----	6
Troubleshooting -----	7
Parts Breakdown -----	7 - 8
Electrical Schematics -----	9
Notes -----	10
Warranty Registration -----	11



General Information

Omcan Manufacturing and Distributing Company Inc., Food Machinery of America, Inc. dba Omcan and Omcan Inc. are not responsible for any harm or injury caused due to any person's improper or negligent use of this equipment. The product shall only be operated by someone over the age of 18, of sound mind, and not under the influence of any drugs or alcohol, who has been trained in the correct operation of this machine, and is wearing authorized, proper safety clothing. Any modification to the machine voids any warranty, and may cause harm to individuals using the machine or in the vicinity of the machine while in operation.

CHECK PACKAGE UPON ARRIVAL

Upon receipt of an Omcan shipment please inspect for external damage. If no damage is evident on the external packaging, open carton to ensure all ordered items are within the box, and there is no concealed damage to the machine. If the package has suffered rough handling, bumps or damage (visible or concealed), please note it on the bill of lading before accepting the delivery and contact Omcan within 24 hours, so we may initiate a claim with the carrier. A detailed report on the extent of the damage caused to the machine must be filled out within three days, from the delivery date shown in the shipping documents. Omcan has no recourse for damaged products that were shipped collect or third party.

Before operating any equipment, always read and familiarize yourself with all operation and safety instructions.

Omcan would like to thank you for purchasing this machine. It's of the utmost importance to save these instructions for future reference. Also save the original box and packaging for shipping the equipment if servicing or returning of the machine is required.

Omcan Fabrication et distribution Compañie Limité et Food Machinery d'Amérique, dba Omcan et Omcan Inc. ne sont pas responsables de tout dommage ou blessure causé du fait que toute personne ait utilisé cet équipement de façon irrégulière. Le produit ne doit être exploité que par quelqu'un de plus de 18 ans, saine d'esprit, et pas sous l'influence d'une drogue ou d'alcool, qui a été formé pour utiliser cette machine correctement, et est vêtu de vêtements de sécurité approprié. Toute modification de la machine annule toute garantie, et peut causer un préjudice à des personnes utilisant la machine ou des personnes à proximité de la machine pendant son fonctionnement.

VÉRIFIEZ LE COLIS DÈS RÉCEPTION

Dès réception d'une expédition d'Omcan veuillez inspecter pour dommages externes. Si aucun dommage n'est visible sur l'emballage externe, ouvrez le carton afin de s'assurer que tous les éléments commandés sont dans la boîte, et il n'y a aucun dommage dissimulé à la machine. Si le colis n'a subi aucune mauvaises manipulations, de bosses ou de dommages (visible ou cachée), notez-le sur le bond de livraison avant d'accepter la livraison et contactez Omcan dans les 24 heures qui suivent, pour que nous puissions engager une réclamation auprès du transporteur. Un rapport détaillé sur l'étendue des dommages causés à la machine doit être rempli dans un délai de trois jours, à compter de la date de livraison indiquée dans les documents d'expédition. Omcan n'a aucun droit de recours pour les produits endommagés qui ont été expédiés ou cueilli par un tiers transporteur.

General Information

Avant d'utiliser n'importe quel équipement, toujours lire et vous familiariser avec toutes les opérations et les consignes de sécurité.

Omcan voudrais vous remercier d'avoir choisi cette machine. Il est primordial de conserver ces instructions pour une référence ultérieure. Également conservez la boîte originale et l'emballage pour l'expédition de l'équipement si l'entretien ou le retour de la machine est nécessaire.

Omcan Empresa De Fabricacion Y Distribucion Inc. Y Maquinaria De Alimentos De America, Inc. dba Omcan y Omcan Inc. no son responsables de ningun daño o perjuicio causado por cualquier persona inadecuada o el uso descuidado de este equipo. El producto solo podra ser operado por una persona mayor de 18 años, en su sano juicio y no bajo alguna influencia de droga o alcohol, y que este ha sido entrenado en el correcto funcionamiento de esta máquina, y ésta usando ropa apropiada y autorizada. Cualquier modificación a la máquina anula la garantía y puede causar daños a las personas usando la máquina mientras esta en el funcionamiento.

REVISE EL PAQUETE A SU LLEGADA

Tras la recepcion de un envio Omcan favor inspeccionar daños externos. Si no hay daños evidentes en el empaque exterior, Habra el carton para asegurarse que todos los articulos solicitados estén dentro de la caja y no encuentre daños ocultos en la máquina. Si el paquete ha sufrido un manejo de poco cuidado, golpes o daños (visible o oculto) por favor anote en la factura antes de aceptar la entrega y contacte Omcan dentro de las 24 horas, de modo que podamos iniciar una reclamación con la compañía. Un informe detallado sobre los daños causados a la máquina debe ser llenado en el plazo de tres días, desde la fecha de entrega que se muestra en los documentos de envío. Omcan no tiene ningun recurso por productos dañados que se enviaron a recoger por terceros.

Antes de utilizar cualquier equipo, siempre lea y familiarizarse con todas las instrucciones de funcionamiento y seguridad.

Omcan le gustaría darle las gracias por la compra de esta máquina. Es de la mayor importancia para salvar estas instrucciones para futuras consultas. Además, guarda la caja original y el embalaje para el envío del equipo si servicio técnico o devolución de la máquina que se requiere.

Safety and Warranty

1. Read all the instructions.
2. Do not touch hot surfaces.
3. Keep the cord and the plug away from water or liquid to prevent an electric shock.
4. Plug in the properly grounded outlet.
5. Unplug the machine when it's not in use for a long period of time or before cleaning.
6. Cool it down before cleaning.
7. Do not operate the machine if the cord or the plug is damaged.

Safety and Warranty

8. If the machine is malfunctioning or is damaged, call the nearest authorized service provider for reparation.
9. Do not use any unauthorized attachments or accessories. Doing so may cause injuries.
10. Indoor use only.
11. Do not let the cord hang over the edge of table or counter.
12. Do not let the cord touch the hot surfaces.
13. Move the machine unplugged and with extreme caution.
14. Attach the plug to the machine before plug it in.
15. Turn off all power switch before unplugging the machine.
16. Do not use the machine for any purpose other than wrapping.

GROUNDING

The machine must be grounded all the time. When it is malfunctioning or is damaged, the grounding provides a path of least resistance for electric current to reduce the risk of an electric shock. The machine is equipped with a cord having a product-grounding conductor and a grounding plug. The plug must be plugged in the properly installed and grounded outlet in accordance with all local codes and ordinance.

DANGER

Improper connection of the product-grounding conductor may cause an electric shock. Let a qualified electrician or a serviceman check if the machine is properly grounded. Do not modify the provided plug under any circumstances. If the plug does not fit the existing outlet, have a qualified electrician to install a proper outlet.

1 YEAR PART AND LABOUR BENCH WARRANTY

Within the warranty period, contact Omcan Inc. at 1-800-465-0234 to schedule a drop off to either an Omcan authorized service depot in the area, or to an Omcan Service warehouse to repair the equipment.

Unauthorized maintenance will void the warranty. Warranty covers electrical and part failures, not improper use.

Please see <https://omcan.com/disclaimer> for complete info.

WARNING:

The packaging components (cardboard, polyethylene, and others) are classified as normal solid urban waste and can therefore be disposed of without difficulty.

In any case, for suitable recycling, we suggest disposing of the products separately (differentiated waste) according to the current norms.

DO NOT DISCARD ANY PACKAGING MATERIALS IN THE ENVIRONMENT!

Technical Specifications

Model	SE-KR-0450
Material	Stainless Steel
Power Consumption	155W
Heat Cutter Size	17.7" / 450mm
Machine Size	20.3" x 24.4" x 6.3" / 515 x 620 x 160mm
Weight	14.3 lbs. / 6.5 kgs.
Item Number	43486

Installation and Operation

INSTALLATION

1. Place the machine with clearance of 10 CM from the wall.
2. The machine must be grounded to prevent an electric shock.
3. Keep the machine in dry area. Condensation may cause short circuit.

HOW TO USE

1. How to feed film.
 - Place the film on the roller and pull the vinyl down under the feeding rollers toward cutter blade.
2. Elasticity of film.
 - Turn the tension bolt located on the back of the right side to adjust speed of film feeding.
3. Power.
 - Check the electric specification before plugging in.
4. Switch.
 - Turn on the Heating Cutter switch and Plate switch.
 - Heating Cutter and Plate are operated independently.
5. Temperature of heating plate.
 - Turn the Temp. Control knob to adjust the plate temperature according to the thickness of film.
6. Operation.
 - After putting a product on the work table, pull the film and wrap the product entirely.
 - Pull the wrapped product properly and cut the film by contacting the cutter.
 - After trimming the wrapped film, press the product lightly on the heating plate.
7. Maintenance.
 - Clean the machine with a soft cloth to avoid scratching the stainless steel body and the Teflon coated heating plate.
 - If the heating plate doesn't heat up, change the fuse (2A fuse).

Troubleshooting

Problem	Possible Cause	Action
The indicator lamp does not light or cutter and heating plate do not get hot.	The electric wire is damaged.	Replace the electric wire.
	Burnt fuse.	Replace the fuse.

REFERENCE

Item Number	Model Number	Description	Manufacturer Model Number
43486	SE-KR-0450	Wrapping Machine Single Roll 110V/60/1 CE QPSus	SW-450X

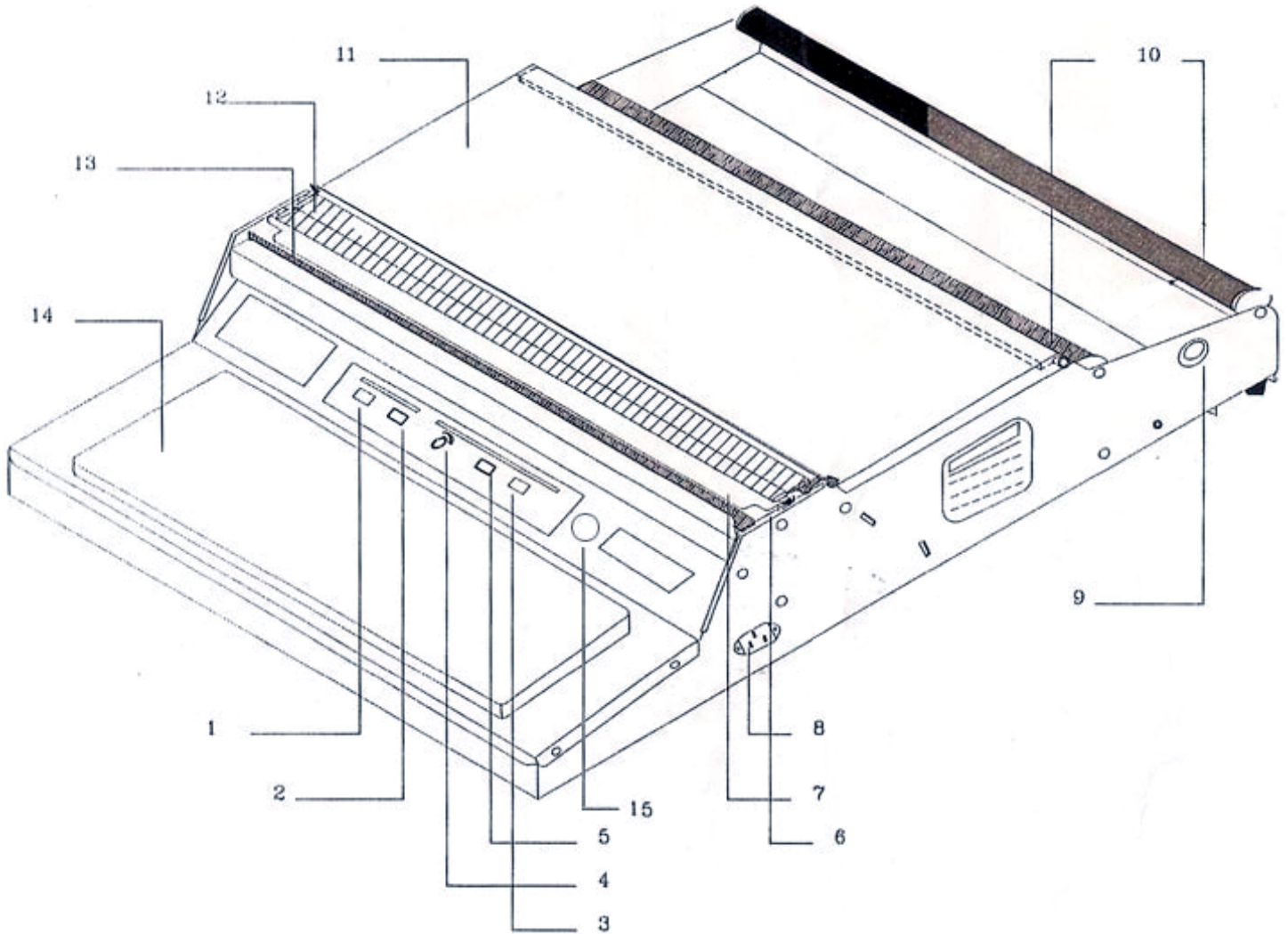
Parts Breakdown

Model SE-KR-0450 43486

Item No.	Description	Position	Item No.	Description	Position	Item No.	Description	Position
62756	Heat Cutting Lamp for SW450X	1	62761	Safety Catch for SW450X	6	62766	Work Table for SW450X	11
62757	Cutter Lamp for SW450X	2	62762	Cutter Safety Cover for SW450X	7	62767	Feed Roller for SW450X	12
62758	Heat Board On/Off Switch for SW450X	3	62763	AC Input for SW450X	8	62768	Heat Cutter for SW450X	13
62759	Temperature Control for SW450X	4	62764	Unwinding Speed for SW450X	9	62769	Heat Board for SW450X	14
62760	Heat Board Lamp for SW450X	5	62765	Film Roller for SW450X	10	62770	Fuse for SW450X	15

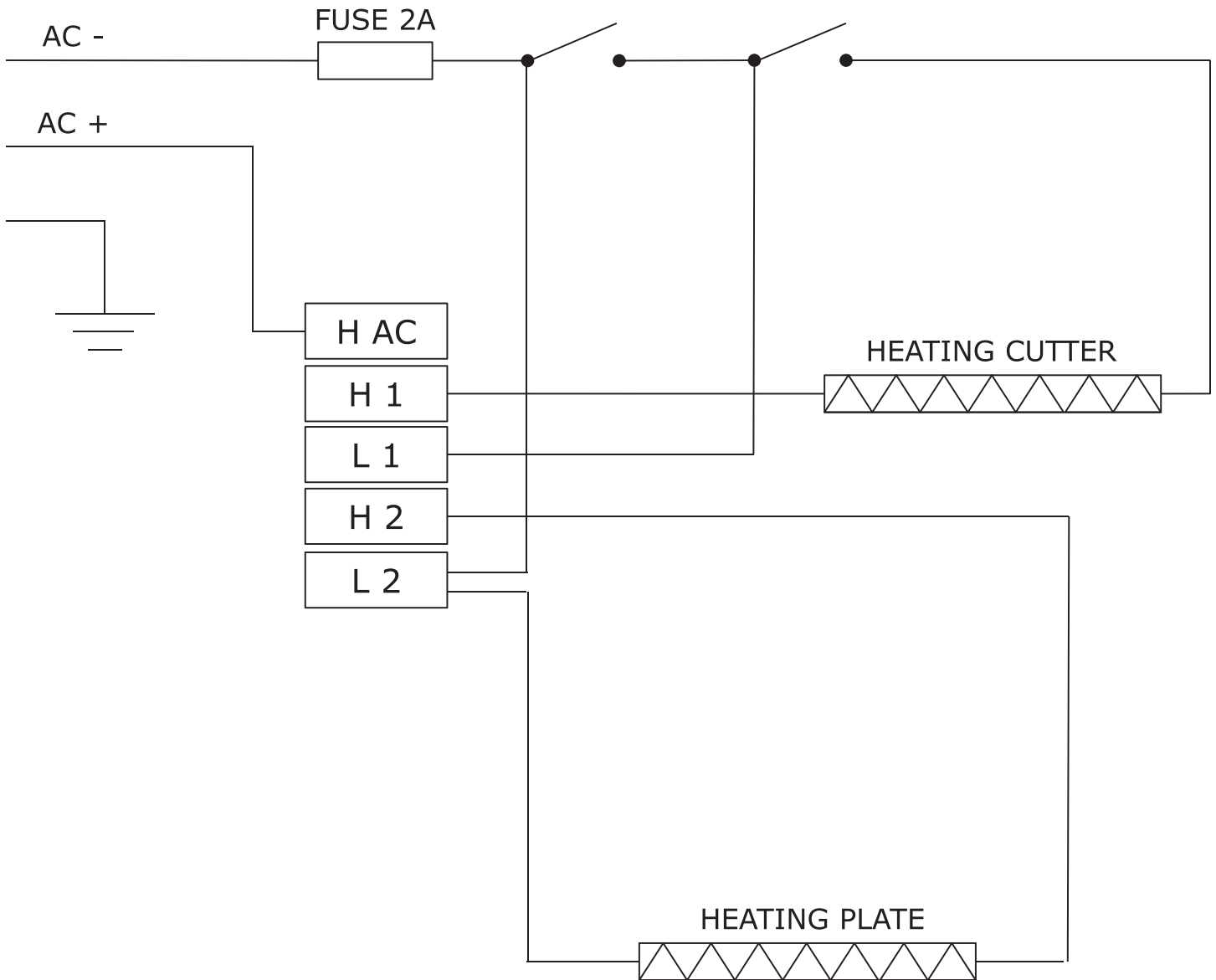
Parts Breakdown

Model SE-KR-0450 43486



Electrical Schematics

Model SE-KR-0450 43486





Warranty Registration

Thank you for purchasing an Omcan product. To register your warranty for this product, complete the information below, tear off the card at the perforation and then send to the address specified below. You can also register online by visiting:

Merci d'avoir acheté un produit Omcan. Pour enregistrer votre garantie pour ce produit, complétez les informations ci-dessous, détachez la carte au niveau de la perforation, puis l'envoyer à l'adresse spécifiée ci-dessous. Vous pouvez également vous inscrire en ligne en visitant:

Gracias por comprar un producto Omcan usted. Para registrar su garantía para este producto, complete la información a continuación, cortar la tarjeta en la perforación y luego enviarlo a la dirección indicada a continuación. También puede registrarse en línea en:

<https://omcan.com/warranty-registration/>

For mailing in Canada

Pour postale au Canada

Por correo en Canadá

OMCAN

PRODUCT WARRANTY REGISTRATION

3115 Pepper Mill Court,

Mississauga, Ontario

Canada, L5L 4X5

For mailing in the US

Pour diffusion aux États-Unis

Por correo en los EE.UU.

OMCAN

PRODUCT WARRANTY REGISTRATION

4450 Witmer Industrial Estates, Unit 4,

Niagara Falls, New York

USA, 14305

or email to: service@omcan.com



Purchaser's Information

Name: _____

Address: _____

City: _____ Province or State: _____ Postal or Zip: _____

Country: _____

Dealer from which Purchased: _____

Dealer City: _____ Dealer Province or State: _____

Invoice: _____

Model Name: _____ Model Number: _____

Machine Description: _____

Date of Purchase (MM/DD/YYYY): _____

Would you like to extend the warranty? Yes No

Company Name: _____

Telephone: _____

Email Address: _____

Type of Company:

Restaurant Bakery Deli

Butcher Supermarket Caterer

Institution (specify): _____

Other (specify): _____

Serial Number: _____

Date of Installation (MM/DD/YYYY): _____

Thank you for choosing Omcan | Merci d'avoir choisi Omcan | Gracias por elegir Omcan



Since 1951 Omcan has grown to become a leading distributor of equipment and supplies to the North American food service industry. Our success over these many years can be attributed to our commitment to strengthen and develop new and existing relationships with our valued customers and manufacturers. Today with partners in North America, Europe, Asia and South America, we continually work to improve and grow the company. We strive to offer customers exceptional value through our qualified local sales and service representatives who provide convenient access to over 5,000 globally sourced products.

Depuis 1951 Omcan a grandi pour devenir un des “leaders” de la distribution des équipements et matériel pour l’industrie des services alimentaires en Amérique du Nord. Notre succès au cours de ces nombreuses années peut être attribué à notre engagement à renforcer et à développer de nouvelles et existantes relations avec nos clients et les fabricants de valeur. Aujourd’hui avec des partenaires en Amérique du Nord, Europe, Asie et Amérique du Sud, nous travaillons continuellement à améliorer et développer l’entreprise. Nous nous efforçons d’offrir à nos clients une valeur exceptionnelle grâce à nos ventes locales qualifiées et des représentants de service qui offrent un accès facile à plus de 5000 produits provenant du monde entier.

Desde 1951 Omcan ha crecido hasta convertirse en un líder en la distribución de equipos y suministros de alimentos en América del Norte industria de servicios. Nuestro éxito en estos años se puede atribuir a nuestro compromiso de fortalecer y desarrollar nuevas relaciones existentes con nuestros valiosos clientes y fabricantes. Hoy con socios de América del Norte, Europa, Asia y América del Sur, que trabajan continuamente para mejorar y crecer la empresa. Nos esforzamos por ofrecer a nuestros clientes valor excepcional a través de nuestro local de ventas y representantes de los servicios que proporcionan un fácil acceso a más de 5,000 productos con origen a nivel mundial.

