



USER MANUAL



CEILING-MOUNT HANGING HEAT LAMPS

UNIT MUST BE KEPT CLEAR OF COMBUSTIBLES AT ALL TIMES.

Models: 423HLR45BK, 423HLR45CH, 423HLS45SS, 423HLR75BK, 423HLR75CH, 423HLS75BK, 423HLS75CH, 423HLR85BK, 423HLR85CH, 423HLR85CR, 423HLR85SS, 423HLS85BK, 423HLS85CR, 423HLS85SS

TABLE OF CONTENTS

Safety Warnings	3
General Hazards	3
Installation Instructions	4
Anatomy of a Hanging Heat Lamp	4
Operating Instructions	5
Troubleshooting	6

ServIt Hanging Heat Lamps are designed to keep foods at optimum serving temperatures without affecting quality. They are constructed of durable aluminum to withstand kitchen use and are easy to maneuver and install. Hanging Heat Lamps keep plated meals or small portions of food hot and flavor-fresh until served. Retractable units are adjustable in distance from food, allowing the lamp to be pulled closer for more heat intensity, or further away for less heat. ServIt Hanging Heat Lamps also come in attractive designs and finishes, perfect for front-of-house installation or installation in an open kitchen design where everything is visible to your foodservice customers. They include simple on/off operation and shatterproof 250W bulbs that are easy to swap out for different colored bulbs to accommodate seasonal menu changes.

This manual provides the installation, safety, and operating instructions for Hanging Heat Lamps. ServIt recommends all installation, operating, and safety instructions appearing in this manual to be read prior to installation or operation of the unit.



CONFORMS TO UL-1598

SAFETY WARNINGS

Hanging Heat Lamps are designed, built, and sold for commercial use and should be operated by trained personnel only. Clearly post all CAUTIONS, WARNINGS, and OPERATING INSTRUCTIONS near each unit to ensure proper operation and to reduce the chance of personal injury and/or equipment damage.

- WARNING:** Do not store or use gasoline or other flammable vapors and liquids in the vicinity of this or any other appliance. Keep the area free and clear of combustible materials.
- WARNING:** Improper installation, adjustment, alteration, service, or maintenance can cause property damage, injury, or death. Read the Installation, Operating, and Maintenance Instructions thoroughly before installing or servicing this equipment.
- CAUTION:** These models are designed, built, and sold for commercial use only. If these models are positioned so the general public can use the equipment, make sure all cautions, warnings, and operating instructions are clearly posted near each unit so that anyone using the equipment can use it correctly and not injure themselves or the equipment.
- CAUTION:** Make sure food product has been heated to the proper food-safe temperature before placing in unit. Failure to heat food product properly may result in serious health risks. This unit is for holding preheated food product only.
- WARNING:** ELECTRIC SHOCK HAZARD. FAILURE TO FOLLOW THE INSTRUCTIONS IN THIS MANUAL COULD RESULT IN SERIOUS INJURY OR DEATH. Do not modify the power supply cord plug. If it does not fit into the outlet, have the proper outlet installed by a qualified electrician. Do not use an extension cord with this appliance. Check with a qualified electrician if you are unsure as to whether the appliance is properly grounded.

GENERAL HAZARDS

- Wire unit into properly grounded electrical panel of the correct voltage, size, and configuration.
- Hanging heat lamp units must be installed by a certified and insured electrician. Installation must conform to all local electrical codes. Installation by unqualified personnel will void unit warranty and may lead to electric shock or burn, as well as damage to unit and/or its surroundings.
- Turn OFF power switch, unplug power cord and allow unit to cool before performing any cleaning, adjustments, or maintenance.
- Do NOT submerge or saturate with water. Unit is not waterproof. Do not operate if unit has been submerged or saturated with water.
- Locate unit indoors where ambient air temperature is a minimum of 70°F (21°C).
- Do not clean unit when it is energized or hot.
- Do not steam clean or use excessive water on the unit.
- Do not pull unit by power cord.
- Do not use if power cord is frayed or worn.
- Do not allow liquids to spill into the unit.

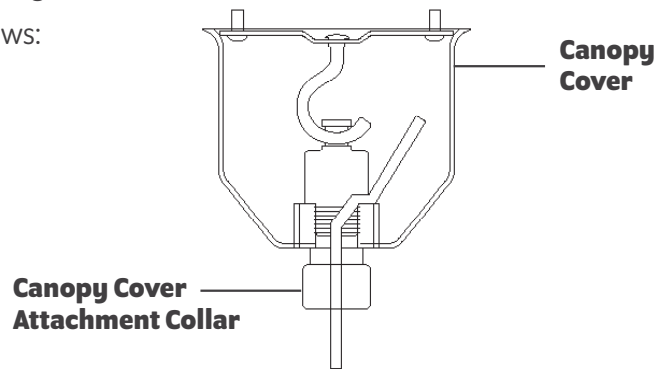
- This unit must be serviced by a certified and insured food service technician only. Service by unqualified personnel may lead to electric shock or burn.
- Locate heat lamp shade a minimum of 1" (25 mm) from combustible walls and materials. If safe distances are not maintained, discoloration or combustion could occur.
- Do not use harsh chemicals such as bleach (or cleaners containing bleach), oven cleaners, or flammable cleaning solutions to clean this unit.
- Some exterior surfaces on unit will get hot. Use caution when touching these areas.

INSTALLATION INSTRUCTIONS

Installation for Fixture:

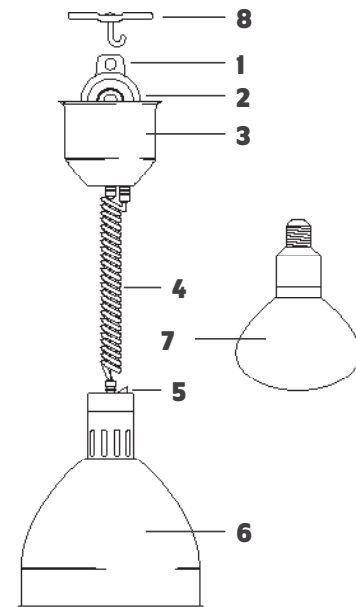
ServIt Hanging Heat Lamps come fully assembled out of the box. The only installation required is ceiling mounting using included bracket/installation kit for the junction box (not included).

1. Remove the canopy cover attachment collar and pull canopy cover down to expose the junction box bracket.
2. Mount the junction box bracket into the junction box using the screws provided with the fixture.
The bracket is designed to be flush mounted on the ceiling.
3. Cut power cord to appropriate length and wire as follows:
 - a. Green wire to ground
 - b. Black wire to neutral
 - c. White wire to line conductor
4. Install the canopy cover over the junction box, secure using the canopy cover attachment collar, and turn the lamp on to ensure functionality.
5. Unit is ready for normal operation.



ANATOMY OF A HANGING HEAT LAMP

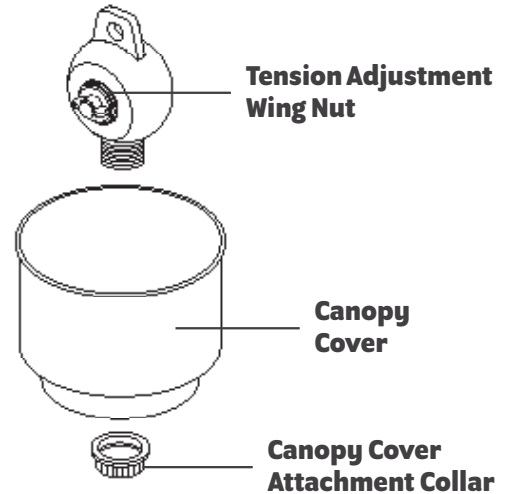
#	DESCRIPTION
1	Hanging Hook
2	Tension Adjustment Nut (Retractable Units Only)
3	Canopy Cover
4	Cord
5	Power Switch
6	Lamp Shade
7	250W Bulb
8	Bracket/Installation Kit for Junction Box



Cord Tension Adjustment (Retractable Cord Units Only):

ServIt Retractable Cord Hanging Heat Lamps come with a tensioning mechanism to ensure flexibility of lamp height during service while still being rigid enough to not droop. Proper tension setting is required. Otherwise the lamp may be too difficult to raise/lower and could potentially cause undesired stress to the installation fixture and junction box, or it will be too loose and droop to the lowest point, potentially damage the lamp, surface, and anything below the lamp.

1. Remove the canopy cover attachment collar.
2. Pull canopy cover down to expose the retractor assembly.
3. To increase tension, turn adjustment nut clockwise.
4. To decrease tension, turn adjustment nut counterclockwise.
5. Install canopy cover and secure canopy cover attachment collar.



OPERATING INSTRUCTIONS

General Information:

- Always clean equipment thoroughly before first use.
- Check rating label for your model designation and electrical rating.
- Ensure unit is installed properly by a qualified electrician.

WARNING: ELECTRIC SHOCK HAZARD.

FAILURE TO FOLLOW THE INSTRUCTIONS IN THIS MANUAL COULD RESULT IN SERIOUS INJURY OR DEATH.

Do not modify the power supply cord plug. If it does not fit into the outlet, have the proper outlet installed by a qualified electrician. Do not use an extension cord with this appliance. Check with a qualified electrician if you are unsure as to whether the appliance is properly grounded.

General Operating Instructions:

- All foodservice equipment should be operated by trained personnel.
- Do not place arms, hands, or other objects not desired to be heated under the heat lamp.
- Never hold perishable food below 150°F (66°C).
- To turn the unit ON, flip the lamp switch to the “on” position.
- To turn the unit OFF, flip the lamp switch to the “off” position.
- Never leave the unit on unsupervised, overnight, or during service down-times.

General Cleaning Instructions:

- NEVER clean any electrical unit by immersing it in water. Turn off before surface cleaning.
- Always clean equipment thoroughly before first use. Clean unit daily.
- Turn off electrical units before cleaning or servicing.
- Do not use abrasive pads or scrubbers, as it may damage the finish of the lamp shade.

TROUBLESHOOTING

PROBLEM	SOLUTION
Light(s) Not Working	Check if the unit is properly connected and the power switch is in the "ON" position.
	Check hardwire power line for volts.
	Check if the bulb has blown.
Loose Socket	Turn off power and check if socket is loose or broken. Remove the bulb and tighten the socket screws.
Loose Shade	Turn off power and check if socket is loose or broken. Remove the bulb and tighten the socket screws.
Unit Blows Fuse or Circuit Breaker	Check to make sure circuit is not overloaded and all electrical connections are properly secured.