

Fellowes

AIR PURIFIERS

Array AS2

Floor Stand Air Purifier
Purificateur d'air sur pied
Purificador de aire de pie



PLEASE READ THESE INSTRUCTIONS BEFORE USE.
DO NOT DISCARD: KEEP FOR FUTURE REFERENCE.

VEUILLEZ LIRE CES INSTRUCTIONS AVANT D'UTILISER L'APPAREIL.
NE PAS JETER : CONSERVER AFIN DE CONSULTER LES DIRECTIVES
ULTÉRIEUREMENT, EN CAS DE BESOIN.

LEA ESTAS INSTRUCCIONES ANTES DEL USO.
NO LAS DESECHE: CONSÉRVELAS PARA REFERENCIA FUTURA.

⚠ WARNING: IMPORTANT SAFETY INSTRUCTIONS — Read Before Using!

PLEASE READ AND SAVE THESE INSTRUCTIONS. Read carefully before attempting to assemble, install, operate or maintain this product. Protect yourself and others by observing all safety information. Failure to comply with instructions could result in personal injury and/or property damage. Retain instructions for future reference.

IMPORTANT CAUTIONS AND INSTRUCTIONS FOR USING AIR PURIFIER:

WARNING – TO REDUCE THE RISK OF FIRE, ELECTRIC SHOCK, OR INJURY TO PERSONS, OBSERVE THE FOLLOWING:

- a) Use this unit only in the manner intended by the manufacturer. If you have questions, contact the manufacturer.
 - b) Before servicing or cleaning unit, switch power off at service panel and lock the service disconnecting means to prevent power from being switched on accidentally. When the service disconnecting means cannot be locked, securely fasten a prominent warning device, such as a tag, to the service panel.
- Do not use this air purifier as sole protection against harmful pollutants.
 - Do not repair or modify the unit unless specifically recommended in this manual. Only an authorized repair technician should disassemble, repair, or modify this product.
 - This product has a polarized plug (one blade is wider than the other). To reduce the risk of electrical shock, this plug is intended to fit in a polarized outlet only one way. If the plug does not fit fully in the outlet, reverse the plug. If it still does not fit, contact a qualified electrician. Do not attempt to defeat this safety feature.
 - Do not use if the power cord or plug is damaged. If the power cord is damaged, it must be replaced by the manufacturer or a qualified technician.
 - Do not bend the power cable excessively or place heavy object on top of it.
 - Periodically remove dust from the power plug. This will reduce the chance that humidity will accumulate, which increases the risk of electric shock.
 - When removing the power plug, grasp by holding the plug itself, never hold by the cord.
 - Unplug this product during thunder or lightning storms. Unplug the product if it will not be used for a long period of time.
 - Do not touch the power cord with wet hands. It may result in electrical shock.
 - Do not run power cord under rugs, carpeting or mats.
 - Use only the electrical power (voltage and frequency) specified for the model air purifier being installed.
 - Do not obstruct the air inlet or air outlet of the air purifier.
 - Ensure filter bags are removed and filters are correctly installed before turning on. Do not operate this product without filters.
 - Do not wash and reuse any of the filters.
 - Do not use attachments or filters other than brand, as unit will not function.
 - Do not spray aerosols on, or into the unit.
 - Do not use detergent to clean the unit.
 - Do not insert fingers, liquids, or foreign objects into the air intake or outlet.
 - Do not use the unit for anything other than air purification.
 - Do not place this product on uneven or inclined surfaces.
 - Do not place this product near heat-generating equipment.
 - This product will not remove carbon monoxide emitted from heating appliances or other sources.
 - Do not use the product near flammable substances or a gas leak.
 - Do not use the unit where it is humid or where the unit may get wet.
 - Do not attempt to pull this product by the cord.
 - Do not attempt to carry this product by the cord.
 - Do not connect this product to any electrical outlet that is damaged.
 - Do not alter the length of the power cord.
 - Not suitable for use with solid state speed controls.
 - Do not use extension cords, adaptors, or power strips with this product.
 - Make sure that the power cord cannot be pulled out or damaged during operation.
 - This product is for indoor use only.
 - Change your filters at the recommended intervals to avoid particle and dust buildup.
 - This appliance can be used by children aged from 8 years and above and persons with reduced physical, sensory, or mental capabilities or lack of experience and knowledge if they have been given supervision or instruction concerning use of the appliance in a safe way and understand the hazards involved.
 - This device contains licence-exempt transmitter(s)/receiver(s) that comply with Innovation, Science and Economic Development Canada's licence-exempt RSS(s). Operation is subject to the following two conditions:
 1. This device may not cause interference.
 2. This device must accept any interference, including interference that may cause undesired operation of the device.
 - **⚠ WARNING:** To reduce the risk of fire, electric shock, or injury to persons, do not use replacement parts that have not been recommended by the manufacturer (e.g. parts made at home using a 3D printer).

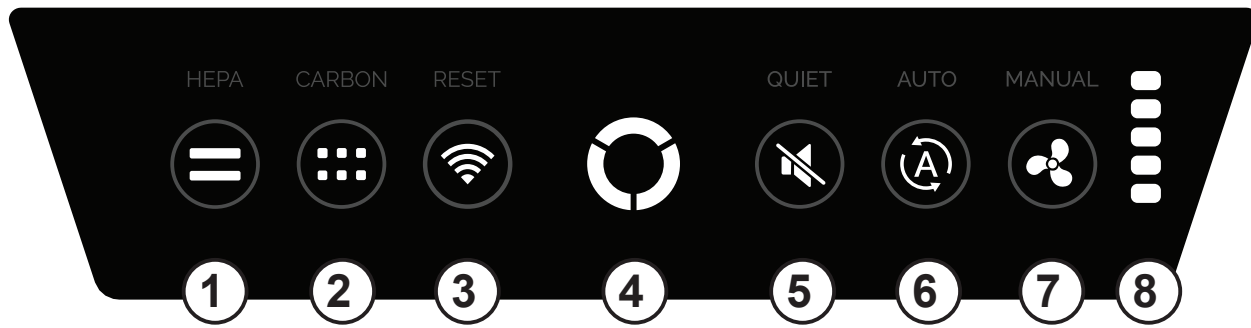
PRODUCT SPECIFICATIONS

Dimensions	20 X 35 X 9 in	508 X 881 X 229 mm
Weight of System	33.3 lbs	15.1 kg
Power Requirements	AC 120V 60Hz 2.5A	
Watts (5 fan speeds)	200W	

PACKAGING CONTENTS

- Air Purifier (1)
- 2-in-1 Hybrid Filter (2)
- Pre-Filter (1)
- Keys for Locking Front Panel (2)
- Registration information
- Quick Start Guide
- User Manual

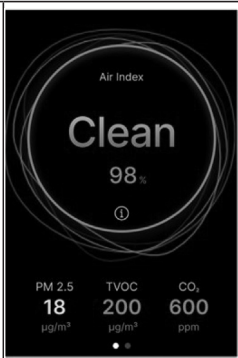
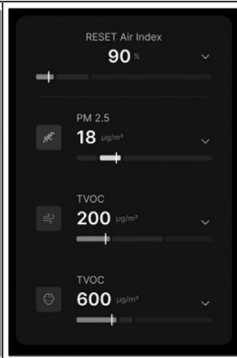
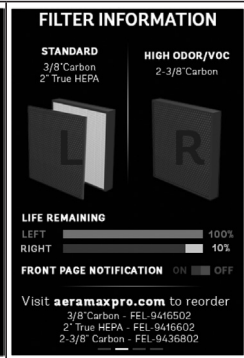
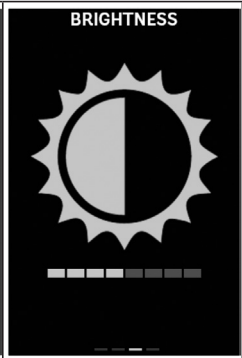
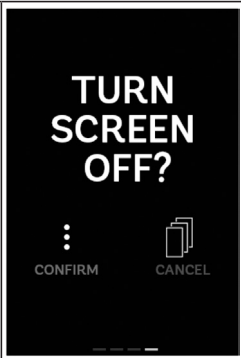
DISPLAY PANEL



NOTE: after the unit is turned on the "AQ" light will flash for a few minutes while the system self-calibrates.

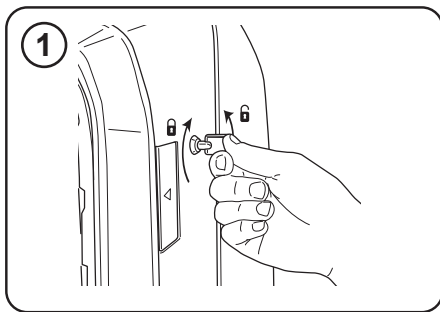
- 1 HEPA FILTER** – Press for 2s: reset the life counter of the HEPA filter.
Light (red): indicates filter life has reached 100%.
- 2 CARBON FILTER** – Press for 2s: reset the life counter of the carbon filter.
Light (red): indicates filter life has reached 100%.
- 3 WIRELESS STATUS/RESET** – Press for 10s: connection reset.
GREEN = Fully Connected & Paired
YELLOW = Connection Available
RED = Not Connected
RED (Blink) = Connection Error
BLUE = Reset Initialized
BLUE (Blink) = Reset Confirmed
OFF = Connection Disabled
- 4 AIR QUALITY INDICATOR** –
GREEN: sensors calibrating
BLUE: air quality Good
AMBER: air quality Fair
RED: air quality Poor
WHITE: door open
PURPLE: unit ping from cloud
- 5 QUIET** – Press: sets the unit to Quiet Mode.
Light: indicates unit is running in Quiet mode, where air quality sensor set fan speed automatically depending on environment with a max of fan speed 3.
- 6 AUTO** – Press: sets the unit to Auto mode.
Light: indicates unit is running in Auto mode where air quality sensors set fan speed automatically depending on environment.
- 7 MANUAL** – Press: cycle through fan speeds, a beep will be heard. If coming from Auto mode, will start at lowest fan speed.
Light: indicates fan speed is being controlled manually.
- 8 MANUAL INDICATORS** – Light: indicates which fan speed is currently selected in manual mode (1-5).

SCREEN CONTROLS

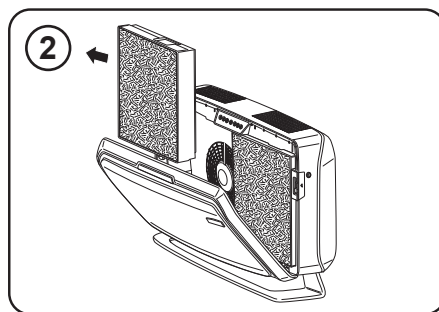
<p>Screen</p> 					
<p>Name</p>	<p>Home</p>	<p>Metric Detail</p>	<p>Filter Information</p>	<p>Screen Brightness</p>	<p>Turn Screen OFF</p>
<p>Functions</p>	<p>Air Index AQI/Machine Status</p> <ul style="list-style-type: none"> Blue (Clean) <ul style="list-style-type: none"> o 91-100 Amber (Cleaning) <ul style="list-style-type: none"> o 81-90 Red (Cleaning) <ul style="list-style-type: none"> o 0-80 <p>Air Index Sensor Readings</p> <ul style="list-style-type: none"> Colors on next page 	<p>Air Index Sensor Readings</p> <ul style="list-style-type: none"> Blue <ul style="list-style-type: none"> o Ideal Amber <ul style="list-style-type: none"> o Acceptable Red <ul style="list-style-type: none"> o Raised Levels 	<p>Filter Identification Filter Life Remaining</p> <ul style="list-style-type: none"> Blue <ul style="list-style-type: none"> o 100-11% Amber <ul style="list-style-type: none"> o 1-10% Red <ul style="list-style-type: none"> o 0% <p>Replacement Filter Numbers</p>	<p>Current Screen Brightness</p>	<p>Turn OFF Screen Option</p>
<p>Options Button</p>	<p>Go to 'Metric Detail' Page</p>	<p>Go to 'Home' Page</p>	<p>Toggle 'Front Page Notification'</p>	<p>Adjust Screen Brightness</p>	<p>Turn OFF Screen</p>
<p>Screen Button</p>	<p>Go to 'Filter Information' Page</p>	<p>Go to 'Filter Information' Page</p>	<p>Go to 'Screen Brightness' Page</p>	<p>Go to "Turn Screen OFF" Page</p>	<p>Go to 'Home' Page</p>

FILTER CHANGE PROCEDURE

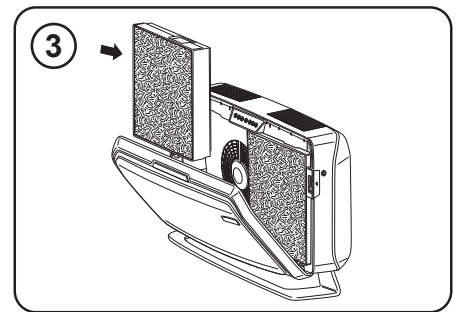
Unit will notify you when filter needs to be changed with a red light visible on the control panel. Always wear a mask and gloves when performing a filter change. For replacement filters, please visit www.fellowes.com



Unlock access panel: to unlock, insert the key provided and rotate counter-clockwise ¼ turn.



Open front access panel by pressing latches on both sides of unit. Allow panel to open fully. Remove filter(s) to be replaced.



Remove any packaging wrap from the new filter(s) and re-install the filters.

FILTER RESET

When installing a new filter, the unit will automatically detect the filter type but the user will have to manually reset the filter replacement indicators with the following procedure:



Touch and hold the illuminated indicator for two seconds until a beep is heard and the indicator turns OFF.

WIRELESS CONNECTION – GETTING STARTED

This product has additional features that are only available when using the online dashboard.

To get started, please visit www.arrayviewpoint.fellowes.com

If you have questions or need help along the way, please contact us at 1-800-955-0959

MAINTENANCE AND CLEANING

Power down machine and remove filters before starting maintenance (See Filter Installation/Removal Guide).

Use dust cloth to remove dust and debris that may have built up around the unit internals.

Note: Do not attempt to clean inside fan blade area. Damage may occur to blades.

Note: Do not use the dust cloth to clean the filters.

If there is dust and debris near the exhaust areas of the unit, gently use a dust cloth to loosen the dust.

Once complete, reinstall the filters, turn the unit on, and close the door.

TROUBLESHOOTING

PROBLEM:	POSSIBLE SOLUTION:
The air quality control system fails to start.	<ul style="list-style-type: none">• Check to assure unit is connected to power supply.• Make sure filters are genuine filters, as unit will not function with other brands. IMPORTANT: Make sure filter detection area on genuine AeraMax® PRO replacement filter aligns with window in filter frame.• Review “Re-Installing Filters” section for further detail.• Make sure front access panel is closed completely.• Make sure power switch is on.
The Filter replacement indicator light remain lit after replacing the filter(s).	<ul style="list-style-type: none">• Repeat filter light reset instruction.

LIMITED WARRANTY

Limited Warranty: Fellowes, Inc. (“Fellowes”) warrants the Array AS2 Commercial Grade Air Purifier (“Product”) to be free from defects in material and workmanship for the time periods as set forth below.

The particle counters, IOT, sensors and display screen for a period of three (3) years from the date of original purchase of the Product.

All other parts for a period of five (5) years from the date of original purchase of the Product.

In the event that the Product is installed into new construction, the warranty period shall commence on the date of the occupancy permit or one year after the date of purchase, whichever is earlier. If any part is found to be defective during the warranty period, Fellowes will (at its sole option) either repair or replace the defective product with no charge for service or parts.

This warranty does not cover damage caused by use of non-Fellowes approved filters or failure to follow the recommended replacement schedule. This warranty does not apply in the cases of abuse, mishandling, failure to comply with product usage standards, operation using an improper power supply (other than listed on the label), installation error, or unauthorized repair. This warranty does not cover replaceable filters.

Fellowes reserves the right to charge the consumer for any additional cost incurred by Fellowes to provide parts or service outside of the country where the Product was initially sold by an authorized reseller. In the event that the Product is not readily accessible to Fellowes designated service personnel, Fellowes reserves the right to supply the customer with replacement parts or product in full satisfaction of its obligations under this warranty and any service obligations. **ANY IMPLIED WARRANTY, INCLUDING THAT OF MERCHANTABILITY OR FITNESS FOR A PARTICULAR PURPOSE, IS HEREBY LIMITED IN DURATION TO THE APPROPRIATE WARRANTY PERIOD SET FORTH ABOVE.** In no event shall Fellowes be liable for any consequential, incidental, indirect or special damages. This warranty gives you specific legal rights. The duration, terms, and conditions of this warranty are valid worldwide, except where different limitations, restrictions, or conditions may be required by local laws. For more details or to obtain service under this warranty, please contact us or your dealer.

INFORMATION TO THE USER

This equipment has been tested and found to comply with the limits for Class B digital device, pursuant to part 15 of the FCC Rules. These limits are designed to provide reasonable protection against harmful interference in an installation. This equipment generates, uses and can radiate radio frequency energy and, if not installed and used in accordance with the instructions, may cause harmful interference to radio communications. However, there is no guarantee that interference will not occur in a particular installation. If this equipment does cause harmful interference to radio or television reception, which can be determined by turning the equipment off and on, the user is encouraged to try to correct the interference by one or more of the following measures:

- Reorient or relocate the receiving antenna.
- Increase the separation between the equipment and receiver.
- Connect the equipment on a circuit different from that to which the receiver is connected.
- Consult the dealer or experienced radio/TV technician for help.

*Pour obtenir une copie du manuel, veuillez visiter www.fellowes.com

⚠ AVERTISSEMENT : IMPORTANTES INSTRUCTIONS DE SÉCURITÉ — À lire avant d'utiliser l'appareil !

VEUILLEZ LIRE ET CONSERVER CES INSTRUCTIONS. À lire attentivement avant d'assembler, d'installer, d'utiliser ou d'entretenir ce produit. Protégez-vous et protégez les autres en respectant toutes les consignes de sécurité. Le non-respect des consignes peut entraîner des blessures corporelles ou des dommages matériels. Conservez ces instructions pour référence ultérieure.

MISES EN GARDE ET INSTRUCTIONS IMPORTANTES POUR L'UTILISATION DE VOTRE PURIFICATEUR D'AIR :

AVERTISSEMENT – AFIN DE RÉDUIRE LE RISQUE D'INCENDIE, D'ÉLECTROCUTION OU DE BLESSURE, RESPECTEZ CE QUI SUIT :

- a) Utilisez cet appareil uniquement selon les instructions du fabricant. Si vous avez des questions, contactez le fabricant.
 - b) Avant de procéder à l'entretien ou au nettoyage de l'appareil, coupez l'alimentation au niveau du panneau de service et verrouillez le dispositif de déconnexion afin d'éviter toute remise sous tension accidentelle. Si le dispositif de déconnexion ne peut pas être verrouillé, fixez solidement un dispositif d'avertissement bien visible, tel qu'une étiquette, sur le panneau de service.
- N'utilisez pas ce purificateur d'air comme unique protection contre les polluants nocifs.
 - Ne réparez pas et ne modifiez pas l'appareil, sauf si spécifiquement recommandé dans ce manuel. Tout démontage, réparation ou modification de ce produit doit être confié à un technicien de réparation agréé.
 - Ce produit est équipé d'une fiche polarisée (une lame plus large que l'autre). Afin de réduire le risque de choc électrique, cette fiche est conçue pour être insérée dans une prise polarisée à sens unique. Si la fiche ne s'insère pas complètement dans la prise, veuillez l'inverser. Si elle ne s'insère toujours pas, contactez un électricien qualifié. Ne tentez pas de contourner ce dispositif de sécurité.
 - N'utilisez pas ce produit si le cordon d'alimentation ou la fiche sont endommagés. Si le câble d'alimentation est endommagé, il doit être remplacé par le fabricant ou un technicien qualifié.
 - Ne pliez pas le câble d'alimentation de manière excessive et ne l'écrasez jamais sous un objet lourd.
 - Dépoussiérez régulièrement la fiche d'alimentation. L'humidité aura ainsi moins de chance de s'y accumuler, ce qui pourrait augmenter le risque de choc électrique.
 - Pour sortir la fiche d'alimentation, tirer sur la fiche même plutôt que sur le cordon d'alimentation.
 - Débranchez ce produit en cas d'orage ou de tonnerre. Débranchez le produit s'il reste inutilisé pendant une longue période.
 - Ne touchez pas le cordon d'alimentation si vos mains sont mouillées. Cela pourrait entraîner un choc électrique.
 - Ne faites pas passer le cordon d'alimentation sous un tapis, une moquette ou un paillason.
 - N'utilisez que l'alimentation électrique (tension et fréquence) spécifiée pour le modèle de purificateur d'air que vous utilisez.
 - N'obstruez pas l'entrée ou la sortie d'air du purificateur d'air.
 - Assurez-vous que les sacs filtrants sont retirés et correctement installés avant la mise en marche. Ne faites pas fonctionner ce produit sans filtres.
 - Ne lavez pas et ne réutilisez pas les filtres.
 - N'utilisez pas d'accessoires ou de filtres d'une autre marque, car l'appareil ne fonctionnera pas.
 - Ne vaporisez pas d'aérosols sur ou à l'intérieur de l'appareil.
 - N'utilisez pas de détergent pour nettoyer l'appareil.
 - N'insérez pas les doigts, des liquides ou d'objets dans l'entrée ou la sortie d'air.
 - N'utilisez pas l'appareil pour un usage autre que la purification de l'air.
 - Ne posez jamais ce produit sur des surfaces inégales ou inclinées.
 - Ne placez pas ce produit à proximité d'un équipement produisant de la chaleur.
 - Ce produit n'éliminera pas le monoxyde de carbone émis par les appareils de chauffage ou provenant d'autres sources.
 - N'utilisez pas le produit à proximité de substances inflammables ou d'une fuite de gaz.
 - N'utilisez pas l'appareil dans un endroit humide ou dans un endroit où il pourrait se faire mouiller.
 - N'essayez pas de tirer ce produit par le cordon.
 - N'essayez pas de déplacer ce produit par le cordon.
 - Ne connectez pas ce produit à une prise électrique endommagée.
 - Ne modifiez pas la longueur du cordon d'alimentation.
 - Ne convient pas à une utilisation avec des commandes de vitesse à semi-conducteurs.
 - N'utilisez pas de rallonges, d'adaptateurs ou de multiprises avec ce produit.
 - Assurez-vous que le cordon d'alimentation ne risque pas d'être tiré ou endommagé en cours de fonctionnement.
 - Ce produit est destiné à un usage intérieur uniquement.
 - Changez les filtres selon les intervalles recommandés afin d'éviter l'accumulation de particules et de poussière.
 - Cet appareil peut être utilisé par des enfants de 8 ans et plus et par des personnes aux capacités physiques, sensorielles ou mentales réduites ou manquant d'expérience et de connaissances, à condition qu'ils soient supervisés ou qu'ils aient reçu des instructions concernant l'utilisation sécuritaire de l'appareil et qu'ils comprennent les risques qui y sont associés.
 - Cet appareil contient un ou des émetteurs/récepteurs exempts de licence qui sont conformes au(x) CRN exempts de licence d'Innovation, Sciences et Développement économique Canada. Le fonctionnement est soumis aux deux conditions suivantes :
 1. Cet appareil ne doit pas provoquer d'interférences.
 2. Cet appareil doit être capable de résister à toutes les interférences, y compris les interférences susceptibles de provoquer un fonctionnement anormal de l'appareil.
 - **⚠ AVERTISSEMENT :** Pour réduire les risques d'incendie, de choc électrique ou de blessure, n'utilisez pas de pièces de rechange qui n'ont pas été recommandées par le fabricant (p. ex., des pièces fabriquées à la maison à l'aide d'une imprimante 3D).

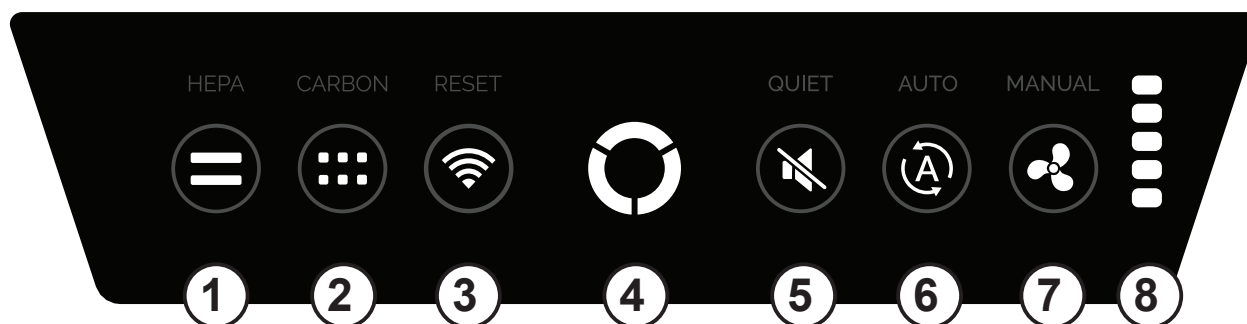
CARACTÉRISTIQUES TECHNIQUES DU PRODUIT

Dimensions	20 X 35 X 9 po	508 X 881 X 229 mm
Poids du système	33,3 lbs	15,1 kg
Alimentation électrique	120 V CA 60 Hz 2,5 A	
Watts (5 vitesses de ventilation)	200 W	

CONTENU DE L'EMBALLAGE

- Purificateur d'air (1)
- Filtre hybride 3 en 1 (1)
- Préfiltre (1)
- Clés pour le verrouillage du panneau avant (2)
- Informations relatives à l'inscription
- Guide de démarrage rapide
- Manuel de l'utilisateur

PANNEAU D'AFFICHAGE



REMARQUE : après la mise sous tension de l'appareil, le voyant « AQ » clignotera pendant quelques minutes pendant que le système se calibre automatiquement.

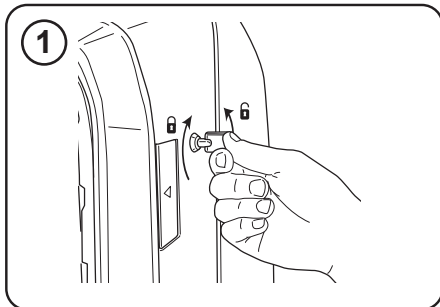
- FILTRE HEPA** — Appuyez pendant 2 secondes : réinitialise le compteur de durée de vie des filtres HEPA.
Voyant lumineux (rouge) : indique que la durée de vie du filtre a atteint 100 %.
- FILTRE À CHARBON** — Appuyez pendant 2 secondes : réinitialise le compteur de durée de vie du filtre à charbon.
Voyant lumineux (rouge) : indique que la durée de vie du filtre a atteint 100 %.
- STATUT SANS FIL/RÉINITIALISATION** — Appuyez pendant 10 secondes : réinitialisation de la connexion.
VERT = Entièrement connecté et jumelé
JAUNE = Connexion disponible
ROUGE = Non connecté
ROUGE (clignotant) = Erreur de connexion
BLEU = Réinitialisation en cours
BLEU (clignotant) = Réinitialisation confirmée
OFF = Connexion désactivée
- INDICATEUR DE QUALITÉ DE L'AIR** —
VERT : étalonnage des capteurs
BLEU : qualité de l'air bonne
AMBRE : qualité de l'air passable
ROUGE : qualité de l'air médiocre
BLANC : porte ouverte
VIOLET : ping de l'appareil du nuage
- QUIET (SILENCIEUX)** — Appuyez : règle l'appareil en mode silencieux.
Voyant : indique que l'appareil fonctionne en mode silencieux, que le capteur de qualité de l'air règle automatiquement la vitesse du ventilateur en fonction de l'environnement, à une vitesse maximale de 3.
- AUTO** — Appuyez : règle l'appareil en mode automatique.
Voyant lumineux : indique que l'appareil fonctionne en mode automatique et que les capteurs de qualité de l'air règlent automatiquement la vitesse du ventilateur en fonction de l'environnement.
- MANUEL** — Appuyez : pour passer d'une vitesse de ventilateur à l'autre, un bip se fera entendre. S'il passe en mode Auto, la vitesse de ventilation sera la plus basse.
Voyant : indique que la vitesse du ventilateur est contrôlée manuellement.
- INDICATEURS MANUELS** — Voyant : indique que la vitesse du ventilateur sélectionnée est en mode manuel (1-5).

COMMANDES À L'ÉCRAN

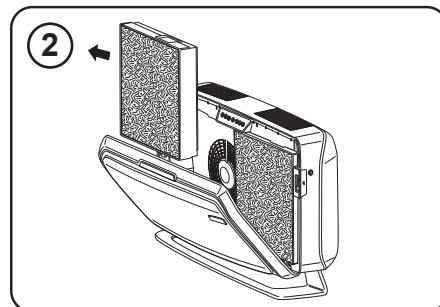
Écran					
Nom	Accueil	Détails métriques	Informations sur les filtres	Luminosité de l'écran	Éteindre l'écran
Fonctions	Indice de qualité de l'air IQA/État de l'appareil <ul style="list-style-type: none"> Bleu (propre) <ul style="list-style-type: none"> o 91-100 Ambre (nettoyage) <ul style="list-style-type: none"> o 81-90 Rouge (nettoyage) <ul style="list-style-type: none"> o 0-80 Lecture des capteurs d'indice de l'air <ul style="list-style-type: none"> Couleurs à la page suivante 	Indice de qualité de l'air Lectures de capteur <ul style="list-style-type: none"> Bleu <ul style="list-style-type: none"> o Idéal Ambre <ul style="list-style-type: none"> o Acceptable Rouge <ul style="list-style-type: none"> o Niveaux supérieurs 	Identification des filtres Durée de vie restante des filtres <ul style="list-style-type: none"> Bleu <ul style="list-style-type: none"> o 100-11% Ambre <ul style="list-style-type: none"> o 1-10% Rouge <ul style="list-style-type: none"> o 0% Numéros des filtres de remplacement	Luminosité actuelle de l'écran	Option de désactivation de l'écran
Options Bouton	Allez à la page « Détails métriques »	Allez à la page d'« accueil »	Basculer « Notification de la page d'accueil »	Ajustement de la luminosité de l'écran	Éteindre l'écran
Bouton d'écran	Allez à la page « Informations sur les filtres »	Allez à la page « Informations sur les filtres »	Allez à la page « Luminosité de l'écran »	Allez à la page « Éteindre l'écran »	Allez à la page d'« accueil »

PROCÉDURE DE CHANGEMENT DE FILTRE

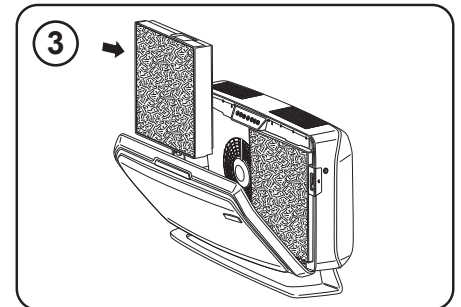
L'appareil vous avertira lorsque le filtre doit être remplacé grâce à un voyant lumineux rouge visible sur le panneau de commande. Portez toujours un masque et des gants lorsque vous effectuez un changement de filtre. Pour obtenir des filtres de rechange, veuillez consulter www.fellowes.com



Déverrouiller le panneau d'accès : pour déverrouiller, insérer la clé fournie et tournez-la dans le sens inverse des aiguilles d'une montre, 1/4 de tour.



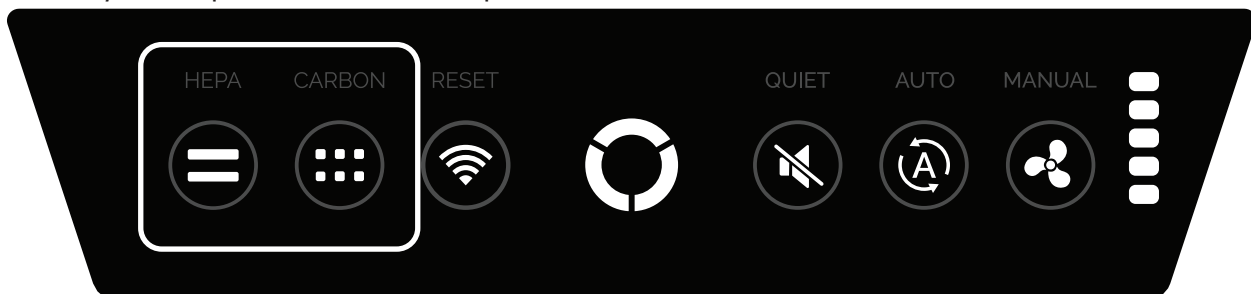
Ouvrez le panneau d'accès avant en appuyant sur les dispositifs de verrouillage situés des deux côtés de l'appareil. Laissez le panneau s'ouvrir complètement. Retirez le(s) filtre(s) à remplacer.



Retirez tout emballage du ou des nouveau(x) filtre(s) et réinstallez les filtres.

RÉINITIALISATION DES FILTRES

Lors de l'installation d'un nouveau filtre, l'unité détectera automatiquement le type de filtre, mais l'utilisateur devra réinitialiser manuellement les voyants de remplacement du filtre en suivant la procédure suivante :



Touchez et maintenez le voyant lumineux pendant deux secondes jusqu'à ce qu'un bip se fasse entendre et que le voyant lumineux s'éteigne.

CONNEXION SANS FIL - DÉMARRAGE

Ce produit possède des fonctionnalités supplémentaires qui ne sont disponibles que lorsqu'on utilise le tableau de bord en ligne.

Pour commencer, veuillez visiter www.arrayviewpoint.fellowes.com

En cas de questions ou de besoin d'assistance, veuillez nous contacter au 1-800-955-0959

ENTRETIEN ET NETTOYAGE

Mettez l'appareil hors tension et retirez les filtres avant de commencer l'entretien (voir le Guide d'installation et de retrait des filtres).

Utilisez un plumeau pour éliminer la poussière et les débris qui peuvent s'être accumulés autour des composants internes de l'appareil.

Remarque : N'essayez pas de nettoyer l'intérieur de la zone des pales du ventilateur. Des dommages pourraient survenir aux pales.

Remarque : N'utilisez pas de plumeau pour nettoyer les filtres.

S'il y a de la poussière et des débris près des zones d'échappement de l'appareil, utilisez délicatement un plumeau pour les déloger.

Une fois terminé, réinstallez les filtres, mettez l'appareil en marche et fermez la porte.

DÉPANNAGE

PROBLÈME :	SOLUTION POSSIBLE :
Le système de contrôle de la qualité de l'air ne démarre pas.	<ul style="list-style-type: none">Assurez-vous que l'appareil est connecté à l'alimentation électriqueAssurez-vous que les filtres sont des filtres d'origines, car l'appareil ne fonctionnera pas avec d'autres marques. IMPORTANT : Assurez-vous que la zone de détection du filtre sur le filtre de remplacement AeraMax[®] PRO original est bien alignée avec la fenêtre du cadre du filtre.Consultez la section « Réinstallation des filtres » pour plus de détails.Assurez-vous que le panneau d'accès avant est complètement fermé.Assurez-vous que le commutateur est à la position de mise en marche.
Le voyant lumineux de remplacement des filtres reste allumé après le remplacement.	<ul style="list-style-type: none">Répétez l'instruction de réinitialisation du voyant lumineux des filtres.

GARANTIE LIMITÉE

Garantie limitée : Fellowes, Inc. (« Fellowes ») garantit que le purificateur d'air Array AS2 de qualité commerciale (« Produit ») est exempt de défauts de matériaux et de fabrication pendant les périodes indiquées ci-dessous.

Les compteurs de particules, IOT, les capteurs et l'écran d'affichage pendant une période de trois (3) ans à compter de la date d'achat du produit.

Toutes les autres pièces pendant une période de cinq (5) ans à compter de la date d'achat du produit.

Dans le cas où l'appareil est installé dans une nouvelle construction, la période de garantie commencera à la date du permis d'occupation ou un an après la date d'achat, selon la première éventualité. Si une pièce s'avère défectueuse pendant la période de garantie, Fellowes réparera ou remplacera (à sa seule discrétion) le produit défectueux sans frais de service ou de pièces.

Cette garantie ne couvre pas les dommages causés par l'utilisation de filtres non approuvés par Fellowes ou le non-respect du programme de remplacement recommandé. Cette garantie ne couvre pas les cas de mauvaise utilisation, de mauvaise manipulation, de non-conformité aux normes d'usage du produit, d'utilisation d'une source d'alimentation inappropriée (autre que celle indiquée sur l'étiquette) ou de réparation non autorisée. Cette garantie ne couvre pas les filtres de remplacement.

Fellowes se réserve le droit de facturer aux consommateurs tous coûts supplémentaires encourus par Fellowes pour fournir des pièces ou les services à l'extérieur du pays où le produit a été vendu à l'origine, par un revendeur autorisé. Dans le cas où le Produit n'est pas facilement accessible au personnel de service désigné de Fellowes, Fellowes se réserve le droit de fournir au client des pièces de rechange ou un produit qui satisfait à ses obligations en vertu de cette garantie et de toute obligation de service. **TOUTE GARANTIE IMPLICITE, Y COMPRIS CELLE DE QUALITÉ MARCHANDE OU D'ADAPTATION À UNE UTILISATION PARTICULIÈRE, SE LIMITE AUX PRÉSENTES À LA DURÉE DE LA PÉRIODE DE GARANTIE APPROPRIÉE ÉTABLIE DANS CE DOCUMENT.** En aucun cas, Fellowes ne pourra être tenu responsable des dommages consécutifs, accessoires, indirects ou spéciaux. Cette garantie vous donne des droits juridiques spécifiques. La durée, les modalités et les conditions de cette garantie s'appliquent partout dans le monde sauf dans les cas où différentes limites, restrictions ou conditions pourraient être exigées par la réglementation locale. Pour plus de détails ou pour obtenir un service sous cette garantie, veuillez communiquer avec nous ou avec votre concessionnaire.

INFORMATIONS POUR L'UTILISATEUR

Cet appareil a été testé et est conforme aux limites établies pour un appareil numérique de classe B, conformément à la partie 15 des règles de la FCC. Ces limitations sont conçues pour fournir une protection raisonnable contre les interférences nuisibles dans une installation. Cet équipement produit, utilise et peut émettre des radiofréquences et, s'il n'est pas installé et utilisé conformément aux instructions, peut causer de l'interférence dangereuse pour les radiocommunications. Il n'est toutefois pas garanti qu'un brouillage préjudiciable ne se produira pas dans une installation particulière. Si cet équipement entraîne des interférences nuisibles pour la réception des programmes radio ou télévisés, ce qui peut être déterminé lors de la mise en fonction puis de la mise en arrêt de l'équipement, l'utilisateur est encouragé à corriger les interférences selon l'une des mesures suivantes :

- Réorientez ou déplacez l'antenne de réception.
- Augmentez la distance entre l'équipement et le récepteur.
- Connectez l'équipement sur un circuit différent de celui auquel le récepteur est connecté.
- Consultez votre concessionnaire ou un technicien radio/télévision expérimenté afin d'obtenir de l'aide.

* Para obtener una copia del manual visite www.fellowes.com

⚠ ADVERTENCIA: INSTRUCCIONES DE SEGURIDAD IMPORTANTES: LEA Y GUARDE ESTAS INSTRUCCIONES

LEA Y GUARDE ESTAS INSTRUCCIONES. Lea atentamente antes de intentar montar, instalar, operar o realizar el mantenimiento de este producto. Protéjase a sí mismo y a los demás siguiendo toda la información de seguridad. El incumplimiento de las instrucciones podría dar como resultado lesiones personales o daños a la propiedad. Conserve las instrucciones para consultarlas en el futuro.

PRECAUCIONES E INSTRUCCIONES IMPORTANTES PARA EL USO DEL PURIFICADOR DE AIRE:

ADVERTENCIA – PARA REDUCIR EL RIESGO DE INCENDIO, DESCARGA ELÉCTRICA O LESIONES PERSONALES, TENGA EN CUENTA LO SIGUIENTE:

- a) Utilice esta unidad sólo de la manera prevista por el fabricante. Si tiene preguntas, comuníquese con el fabricante.
- b) Antes de reparar o limpiar la unidad, desconecte la energía en el panel de servicio y bloquee los medios de desconexión del servicio para evitar que la energía se encienda accidentalmente. Cuando los medios de desconexión del servicio no se puedan bloquear, fije de manera segura un dispositivo de advertencia destacado, como una etiqueta, al panel de servicio.
- No utilice este purificador de aire como única protección contra contaminantes nocivos.
- No repare ni modifique la unidad, a menos que se recomiende específicamente en este manual. Solo un técnico de reparación autorizado debe desarmar, reparar o modificar este producto.
- Este producto tiene un enchufe polarizado (una clavija es más ancha que la otra). Para reducir el riesgo de descarga eléctrica, este enchufe está diseñado para encajar en un tomacorriente polarizado de una sola manera. Si el enchufe no encaja en el tomacorriente, invierta su posición. Si aún no encaja, comuníquese con un electricista calificado. No intente anular esta función de seguridad.
- No lo utilice si el cable de alimentación o el enchufe están dañados. Si el cable de alimentación está dañado, deberá reemplazarlo el fabricante o un técnico calificado.
- No doble excesivamente el cable de alimentación ni coloque objetos pesados encima.
- Retire periódicamente el polvo del enchufe de alimentación. Esto reducirá la posibilidad de que se acumule humedad, lo que aumenta el riesgo de descarga eléctrica.
- Al retirar el enchufe de alimentación, hágalo sujetando el propio enchufe, nunca sujetándolo por el cable.
- Desenchufe este producto durante tormentas eléctricas o con truenos. Desenchufe el producto si no lo va a utilizar durante un largo periodo de tiempo.
- No toque el cable de alimentación con las manos mojadas. Puede provocar una descarga eléctrica.
- No pase el cable de alimentación por debajo de alfombras, moquetas o tapetes.
- Utilice únicamente la energía eléctrica (voltaje y frecuencia) especificada para el modelo de purificador de aire que se está instalando.
- No obstruya la entrada o salida de aire del purificador.
- Asegúrese de que las bolsas de filtro se hayan retirado e instalado correctamente antes de encenderlo. No opere este producto sin filtros.
- No lave ni reutilice ninguno de los filtros.
- No utilice accesorios ni filtros de otra marca, ya que el producto no funcionará.
- No rocíe aerosoles sobre la unidad ni dentro de esta.
- No use detergente para limpiar la unidad.
- No introduzca los dedos, líquidos ni objetos extraños en la entrada o salida de aire.
- No utilice la unidad para otra cosa que no sea la purificación del aire.
- No coloque este producto sobre superficies irregulares o inclinadas.
- No coloque este producto cerca de equipos generadores de calor.
- Este producto no eliminará el monóxido de carbono emitido por aparatos de calefacción u otras fuentes.
- No utilice el producto cerca de sustancias inflamables o de una fuga de gas.
- No use la unidad en condiciones de humedad o donde la unidad pueda mojarse.
- No intente tirar de este producto por el cable.
- No intente transportar este producto por el cable.
- No conecte este producto a ningún tomacorriente que esté dañado.
- No altere la longitud del cable de alimentación.
- No es apto para usarse con controles de velocidad de estado sólido.
- No utilice cables de extensión, adaptadores o regletas de enchufes con este producto.
- Asegúrese de que el cable de alimentación no se extraiga ni se dañe durante el funcionamiento.
- Este producto es solo para uso en interiores.
- Cambie sus filtros en los intervalos recomendados para evitar la acumulación de partículas y polvo.
- Este aparato pueden usarlo niños a partir de los 8 años y personas con capacidades físicas, sensoriales o mentales reducidas o falta de experiencia y conocimiento si han recibido supervisión o instrucciones sobre el uso del aparato de forma segura y comprenden los peligros involucrados.
- Este dispositivo contiene transmisores/receptores exentos de licencia que cumplen con los estándares RSS de exención de licencia del departamento de Innovación, Ciencia y Desarrollo Económico de Canadá. Su operación está sujeta a las siguientes dos condiciones:
 1. Este dispositivo no puede causar interferencias.
 2. Este dispositivo debe aceptar cualquier interferencia, incluida la interferencia que pueda provocar un funcionamiento no deseado del dispositivo.
- **⚠ ADVERTENCIA:** Para reducir el riesgo de incendio, descarga eléctrica o lesiones personales, no utilice piezas de repuesto que no hayan sido recomendadas por el fabricante (por ejemplo, piezas hechas en casa con una impresora 3D).

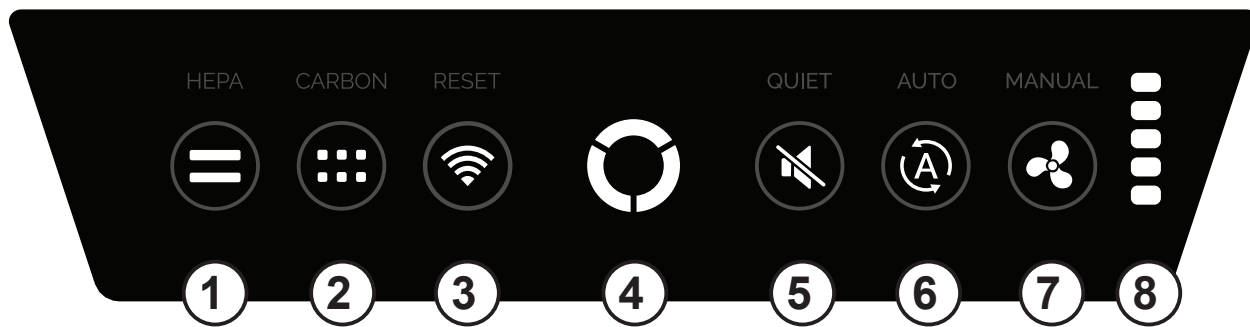
ESPECIFICACIONES DEL PRODUCTO

Dimensiones	20 X 35 X 9 pulgadas	508 X 881 X 229 mm
Peso del sistema	33,3 libras	15,1 kg
Requerimientos de energía	AC 120V, 60 Hz 2,5A	
Vatios (5 velocidades de ventilador)	200 W	

CONTENIDO DEL EMBALAJE

- Purificador de aire (1)
- Filtro híbrido 3 en 1 (1)
- Prefiltro (1)
- Llaves para bloquear el panel frontal (2)
- Información de registro
- Guía de inicio rápido
- Manual de usuario

PANEL DE VISUALIZACIÓN



NOTA: Después de encender la unidad, la luz "AQ" parpadeará durante unos minutos mientras el sistema se autocalibra.

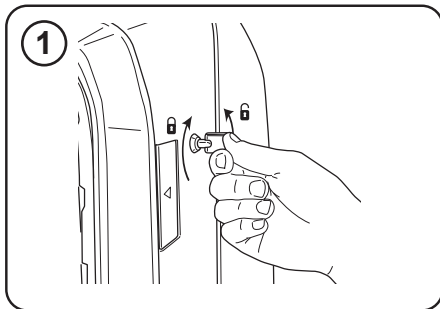
- FILTRO HEPA** — Presionar durante 2 segundos: reinicie el contador de vida útil del filtro HEPA.
Luz (roja): indica que la vida útil del filtro ha llegado al 100 %.
- FILTRO DE CARBONO** — Presionar durante 2 segundos: reinicie el contador de vida útil del filtro de carbón.
Luz (roja): indica que la vida útil del filtro ha llegado al 100 %.
- ESTADO INALÁMBRICO/REINICIAR** — Presionar durante 10 segundos: reiniciar conexión.
VERDE = Totalmente conectado y emparejado
AMARILLO = Conexión disponible
ROJO = No conectado
ROJO (Parpadeo) = Error de conexión
AZUL = Restablecimiento inicializado
AZUL (Parpadeo) = Restablecimiento confirmado
APAGADO = Conexión deshabilitada
- INDICADOR DE CALIDAD DEL AIRE** —
VERDE: sensores en calibración
AZUL: calidad del aire buena
ÁMBAR: calidad del aire regular
ROJO: calidad del aire mala
BLANCO: puerta abierta
PÚRPURA: ping de la unidad desde la nube
- SILENCIO** — Presionar: establece la unidad en modo silencioso.
Luz: indica que la unidad está funcionando en modo silencioso, donde el sensor de calidad del aire establece la velocidad del ventilador automáticamente según el entorno con un máximo de velocidad del ventilador 3.
- AUTO** — Presionar: establece la unidad en modo automático.
Luz: indica que la unidad está funcionando en modo automático, donde los sensores de calidad del aire configuran la velocidad del ventilador automáticamente según el entorno.
- MANUALES** — Presionar: recorra las velocidades del ventilador; se escuchará un pitido. Si viene del modo automático, comenzará a la velocidad más baja del ventilador.
Luz: indica que la velocidad del ventilador se está controlando manualmente.
- INDICADORES MANUALES** — Luz: indica qué velocidad del ventilador está actualmente seleccionada en el modo manual (1-5).

CONTROLES DE PANTALLA

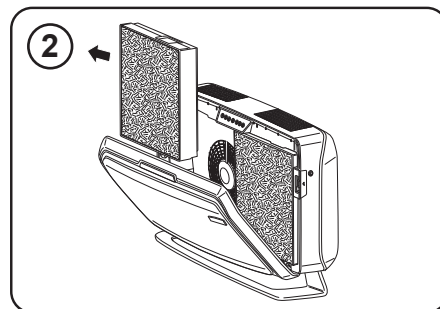
Pantalla					
Nombre	Inicio	Detalle de las métricas	Información del filtro	Brillo de la pantalla	Apagar pantalla
Funciones	<p>Índice de aire AQI/Estado de la máquina</p> <ul style="list-style-type: none"> • Azul (Limpia) o 91-100 • Ámbar (Limpieza) 81-90 • Rojo (Limpieza) 0-80 <p>Lecturas del sensor de índice de aire</p> <ul style="list-style-type: none"> • Colores en la página siguiente 	<p>Índice de aire</p> <p>Lecturas de sensores</p> <ul style="list-style-type: none"> • Azul <ul style="list-style-type: none"> o Ideal • Ámbar <ul style="list-style-type: none"> o Aceptable • Rojo <ul style="list-style-type: none"> o Niveles elevados 	<p>Identificación del filtro</p> <p>Vida útil restante del filtro</p> <ul style="list-style-type: none"> • Azul <ul style="list-style-type: none"> o 100-11% • Ámbar <ul style="list-style-type: none"> o 1-10% • Rojo <ul style="list-style-type: none"> o 0% <p>Números de filtros de repuesto</p>	Brillo de pantalla actual	Opción de apagar la pantalla
Opciones Botón	Vaya a la página "Detalle de las métricas"	Vaya a la página de inicio	Active "Notificación de página principal"	Ajuste el brillo de la pantalla	Apagar pantalla
Botón de pantalla	Vaya a la página "Información de filtro"	Vaya a la página "Información de filtro"	Vaya a la página "Brillo de pantalla"	Vaya a la página "Apagar pantalla"	Vaya a la página de inicio

PROCEDIMIENTO PARA EL CAMBIO DEL FILTRO

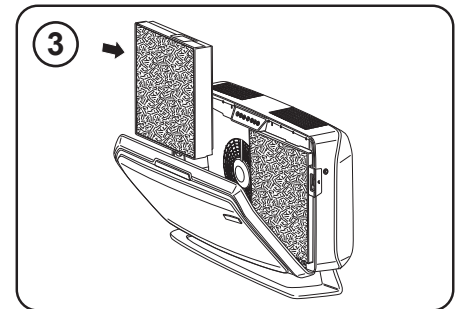
La unidad le notificará cuando sea necesario cambiar el filtro con una luz roja visible en el panel de control. Utilice siempre una máscara y guantes cuando realice un cambio de filtro. Para filtros de repuesto, visite www.fellowes.com



Desbloquee el panel de acceso: para desbloquear, inserte la llave provista y gírela en sentido contrario a las agujas del reloj ¼ de vuelta.



Abra el panel de acceso frontal presionando los pestillos en ambos lados de la unidad. Permita que el panel se abra completamente. Retire los filtros que se van a reemplazar.



Retire cualquier envoltura de embalaje de los filtros nuevos y vuelva a instalar los filtros.

REINICIO DEL FILTRO

Al instalar un filtro nuevo, la unidad detectará automáticamente el tipo de filtro, pero el usuario deberá restablecer manualmente los indicadores de reemplazo del filtro con el siguiente procedimiento:



Toque y mantenga presionado el indicador iluminado durante dos segundos hasta que se escuche un pitido y el indicador se apague.

CONEXIÓN INALÁMBRICA: PRIMEROS PASOS

Este producto tiene características adicionales que solo están disponibles cuando se usa el panel en línea.

Para comenzar, visite www.arrayviewpoint.fellows.com

Si tiene preguntas o necesita ayuda en el proceso, comuníquese con nosotros al 1-800-955-0959

MANTENIMIENTO Y LIMPIEZA

Apague la máquina y retire los filtros antes de iniciar el mantenimiento (consulte la Guía de instalación/remoción de filtros).

Use un trapo para quitar el polvo y los desechos que se hayan acumulado alrededor de las partes internas de la unidad.

Nota: No intente limpiar el área interior de las aspas del ventilador. Se pueden producir daños en las aspas.

Nota: No utilice el paño para polvo para limpiar los filtros.

Si hay polvo y desechos cerca de las áreas de escape de la unidad, use un paño suavemente para quitar el polvo.

Una vez que termine, vuelva a instalar los filtros, encienda la unidad y cierre la puerta.

SOLUCIÓN DE PROBLEMAS

PROBLEMA:	SOLUCIÓN POSIBLE:
El sistema de control de calidad del aire no se inicia.	<ul style="list-style-type: none">• Verifique para asegurarse de que la unidad esté conectada a la fuente de alimentación.• Asegúrese de que los filtros sean filtros originales, ya que la unidad no funcionará con otras marcas. IMPORTANTE: Asegúrese de que el área de detección del filtro en el filtro de reemplazo AeraMax® PRO genuino esté alineada con la ventana en el marco del filtro.• Revise la sección "Reinstalación de filtros" para obtener más detalles.• Asegúrese de que el panel de acceso frontal esté completamente cerrado.• Asegúrese de que el interruptor de encendido esté encendido.
La luz indicadora de reemplazo del filtro permanece encendida después de reemplazar los filtros.	<ul style="list-style-type: none">• Repita la instrucción de reinicio de la luz del filtro.

GARANTÍA LIMITADA

Garantía limitada: Fellowes, Inc. ("Fellowes") garantiza que el purificador de aire de grado comercial Array AS2 ("Producto") está libre de defectos de material y mano de obra durante los períodos de tiempo que se establecen a continuación.

Los contadores de partículas, IOT, sensores y pantalla de visualización durante un periodo de tres (3) años a partir de la fecha de compra original del Producto.

Todas las demás partes por un periodo de cinco (5) años a partir de la fecha de compra original del Producto.

En el caso de que el Producto se instale en una nueva construcción, el periodo de garantía comenzará en la fecha del permiso de ocupación o un año después de la fecha de compra, lo que ocurra primero. Si se determina que alguna pieza es defectuosa durante el periodo de garantía, Fellowes (a su exclusivo criterio) reparará o reemplazará el producto defectuoso sin cargo por el servicio o las piezas.

Esta garantía no cubre los daños causados por el uso de filtros no aprobados por Fellowes o por no seguir el programa de reemplazo recomendado. Esta garantía no se aplica en los casos de abuso, mal manejo, incumplimiento de las normas de uso del producto, operación con una fuente de alimentación inadecuada (diferente a la que figura en la etiqueta), error de instalación o reparación no autorizada. Esta garantía no cubre los filtros reemplazables.

Fellowes se reserva el derecho de cobrar al consumidor cualquier costo adicional incurrido por Fellowes para proporcionar piezas o servicio fuera del país donde un revendedor autorizado vendió inicialmente el Producto. En el caso de que el producto no sea fácilmente accesible para el personal de servicio designado por Fellowes, Fellowes se reserva el derecho de suministrar al cliente piezas de repuesto o productos para satisfacer plenamente sus obligaciones en virtud de esta garantía y cualquier obligación de servicio. **CUALQUIER GARANTÍA IMPLÍCITA, INCLUIDA LA DE COMERCIABILIDAD O IDONEIDAD PARA UN PROPÓSITO EN PARTICULAR, SE LIMITA EN LA DURACIÓN DEL PERÍODO DE GARANTÍA APROPIADO ESTABLECIDO ANTERIORMENTE.** En ningún caso, Fellowes será responsable de daños consecuentes, incidentales, indirectos o especiales. Esta garantía le otorga derechos legales específicos. La duración, los términos y las condiciones de esta garantía son válidos en todo el mundo, excepto cuando las leyes locales exijan limitaciones, restricciones o condiciones diferentes. Para obtener más detalles o para obtener servicio bajo esta garantía, comuníquese con nosotros o con su distribuidor.

INFORMACIÓN PARA EL USUARIO

Este equipo ha sido probado y se encontró que cumple con los límites para dispositivos digitales de Clase B, de conformidad con la parte 15 de las Reglas de la FCC. Estos límites están diseñados para proporcionar una protección razonable contra interferencias perjudiciales en una instalación. Este equipo genera, usa y puede irradiar energía de radiofrecuencia y, si no se instala y usa de acuerdo con las instrucciones, puede causar interferencias perjudiciales en las comunicaciones por radio. Sin embargo, no hay garantía de que no se produzcan interferencias en una instalación en particular. Si este equipo causa interferencias perjudiciales en la recepción de radio o televisión, lo que se puede determinar apagando y encendiendo el equipo, se recomienda al usuario que intente corregir la interferencia mediante una o más de las siguientes medidas:

- Reorientar o reubicar la antena receptora.
- Aumentar la separación entre el equipo y el receptor.
- Conectar el equipo en un circuito diferente al que está conectado el receptor.
- Consultar al distribuidor o a un técnico de radio/TV experimentado para obtener ayuda.

Floor:___ Area:_____ Unit:_____	Floor:___ Area:_____ Unit:_____
[Web ID Sticker Here]	[Web ID Sticker Here]
Floor:___ Area:_____ Unit:_____	Floor:___ Area:_____ Unit:_____
[Web ID Sticker Here]	[Web ID Sticker Here]
Floor:___ Area:_____ Unit:_____	Floor:___ Area:_____ Unit:_____
[Web ID Sticker Here]	[Web ID Sticker Here]
Floor:___ Area:_____ Unit:_____	Floor:___ Area:_____ Unit:_____
[Web ID Sticker Here]	[Web ID Sticker Here]
Floor:___ Area:_____ Unit:_____	Floor:___ Area:_____ Unit:_____
[Web ID Sticker Here]	[Web ID Sticker Here]
Floor:___ Area:_____ Unit:_____	Floor:___ Area:_____ Unit:_____
[Web ID Sticker Here]	[Web ID Sticker Here]
Floor:___ Area:_____ Unit:_____	Floor:___ Area:_____ Unit:_____
[Web ID Sticker Here]	[Web ID Sticker Here]
Floor:___ Area:_____ Unit:_____	Floor:___ Area:_____ Unit:_____
[Web ID Sticker Here]	[Web ID Sticker Here]
Floor:___ Area:_____ Unit:_____	Floor:___ Area:_____ Unit:_____
[Web ID Sticker Here]	[Web ID Sticker Here]



CUSTOMER SERVICE & SUPPORT

www.fellowes.com

U.S.: 1-800-955-0959

Canada: 1-800-665-4339

Mexico: 001-800-514-9057