



INSTALLATION & OPERATION MANUAL

GARLAND ED SERIES ELECTRIC COUNTER UNITS



FOR YOUR SAFETY:
DO NOT STORE OR USE GASOLINE
OR OTHER FLAMMABLE VAPORS OR
LIQUIDS IN THE VICINITY OF
THIS OR ANY OTHER
APPLIANCE

WARNING:
IMPROPER INSTALLATION, ADJUSTMENT,
ALTERATION, SERVICE OR MAINTENANCE
CAN CAUSE PROPERTY DAMAGE, INJURY,
OR DEATH. READ THE INSTALLATION,
OPERATING AND MAINTENANCE
INSTRUCTIONS THOROUGHLY
BEFORE INSTALLING OR
SERVICING THIS EQUIPMENT

PLEASE READ ALL SECTIONS OF THIS MANUAL
AND RETAIN FOR FUTURE REFERENCE.

THIS PRODUCT HAS BEEN CERTIFIED AS
COMMERCIAL COOKING EQUIPMENT AND
MUST BE INSTALLED BY PROFESSIONAL
PERSONNEL AS SPECIFIED.

INSTALLATION AND ELECTRICAL CONNECTION
MUST COMPLY WITH CURRENT CODES:
IN CANADA - THE CANADIAN ELECTRICAL
CODE PART 1 AND / OR LOCAL CODES.
IN USA - THE NATIONAL ELECTRICAL CODE
ANSI / NFPA - CURRENT EDITION.

ENSURE ELECTRICAL SUPPLY CONFORMS WITH
ELECTRICAL CHARACTERISTICS SHOWN ON
THE RATING PLATE.

Users are cautioned that maintenance and repairs must be performed by a Garland authorized service agent using genuine Garland replacement parts. Garland will have no obligation with respect to any product that has been improperly installed, adjusted, operated or not maintained in accordance with national and local codes or installation instructions provided with the product, or any product that has its serial number defaced, obliterated or removed, or which has been modified or repaired using unauthorized parts or by unauthorized service agents. For a list of authorized service agents, please refer to the Garland web site at <http://www.garland-group.com>. The information contained herein, (including design and parts specifications), may be superseded and is subject to change without notice.

GARLAND COMMERCIAL INDUSTRIES, LLC
185 East South Street
Freeland, Pennsylvania 18224
Phone: (570) 636-1000
Fax: (570) 636-3903

GARLAND COMMERCIAL RANGES, LTD.
1177 Kamato Road, Mississauga, Ontario L4W 1X4
CANADA
Phone: 905-624-0260
Fax: 905-624-5669

IMPORTANT INFORMATION

WARNING:

This product contains chemicals known to the state of California to cause cancer and/or birth defects or other reproductive harm. Installation and servicing of this product could expose you to airborne particles of glass wool/ceramic fibers. Inhalation of airborne particles of glass wool/ceramic fibers is known to the state of California to cause cancer.

TABLE OF CONTENTS

IMPORTANT INFORMATION.....	2		
DIMENSIONS AND SPECIFICATIONS	4		
GENERAL INSTALLATION	5		
Unpacking.....	5		
Serial Plate	5		
Statutory Regulations	5		
Installation Of Banking Plates.....	5		
Sanitary Countertop Seal.....	5		
Installation Of Counter Stands (Optional).....	6		
Leg Installation	6		
INDIVIDUAL MODEL INSTALLATIONS	7		
Hot Plate – Model ED-15H	7		
Wall Clearances	7		
Supply Connection.....	7		
Electrical Connection.....	7		
Controls	7		
Solid Elements Hot Plate – Model ED-15HSE / ED-15THSE.....	7		
Wall Clearances	7		
Supply Connection.....	7		
Electrical Connection.....	7		
Controls	7		
Before Operating The Hot Plate	7		
Sealed Hot Plates.....	7		
Operating The Sealed Hot Plate.....	8		
Fryers – Models ED-15F, ED-15SF, ED-30FT & ED- 30SFT	8		
Wall Clearance	8		
Supply Connection.....	8		
Electrical Connection.....	8		
Before Operating the Fryer	8		
Operating Suggestions	8		
Controls	9		
		Griddles – Models: ED-15G, ED-24G & ED-36G	
		Grooved Griddles – Models:	
		ED-15G-U, ED-24-U, ED-24G-U1, ED-36G-U, ED-36-U1 & ED-36G-U2.....	9
		Wall Clearances	9
		Supply Connection.....	9
		Electrical Connection.....	9
		Controls	9
		Calibration Instructions.....	9
		Broilers – Models: ED-15B, ED-30B & ED-42B	10
		Wall Clearance	10
		Supply Connection.....	10
		Electrical Connection.....	10
		Controls	10
		Food Warmers – Models ED-15W & ED-15WP.....	10
		Wall Clearances	10
		Supply Connection.....	10
		Electrical Connection.....	10
		Controls	10
		Operating Instructions.....	10
		CLEANING AND MAINTENANCE.....	11
		Cleaning Exterior Finishes	11
		Fryers	11
		Griddle Top Plates.....	11
		Seasoning.....	11
		Cleaning	11
		Broiler	11
		Broiler Grates Surfaces.....	11
		Broiler Interior and Under Broiler Grates ..	12
		Periodic Cleaning.....	12

DIMENSIONS AND SPECIFICATIONS

LOADING AND VOLTAGE CHART				
Total KW Loading				
MODEL NUMBER	North America		Export	
	208V	240V	220V/380V	240V/415V
ED-15H	4.2	4.2	4.2	4.2
ED-15HSE	5.2	5.2	5.2	5.2
ED-15THSE	4.0	4.0	Contact Factory	
ED-15F	5.3	5.3	5.93	5.3
ED-15SF	8.0	8.0	8.0	8.0
ED-30FT	10.6	10.6	11.86	10.3
ED-30SFT	16.0	16.0	16.0	16.0
ED-15G	3.4	3.4	3.4	3.4
ED-24G	6.7	6.7	6.7	6.7
ED-36G	10.1	10.1	10.1	10.1
ED-15B	2.7	2.7	2.7	2.7
ED-30B	5.4	5.4	5.4	5.4
ED-42B	8.1	8.1	8.1	8.1
ED-15W	1.0	1.0	1.12	1.0

MODEL NUMBER	OVERALL DIMENSIONS						PHASE AND AMPERAGE CHART							
	Width		Depth		Height		Nominal Amps Per Line							
							North America				Export			
							Single Phase		Hi Line 3 Phase		Single Phase		Hi Line 2 Or 3 Phase	
	In	mm	in	mm	in	mm	208V	240V	208V	240V	240V/380V	240V/425V	220V/380V	240V/415V
ED-15H	15	381	24	610	11.25	286	21	18	18	16	20	18	10	9
ED-15HSE	15	381	24	610	11.25	286	25	22	22	19	24	22	12	11
ED-15THSE	15	381	24	610	11.25	286	19.2	16.7	16.7	14.4	Contact Factory			
ED-15F	15	382	24	610	13	330	26	23	N/A	N/A	27	23	N/A	N/A
ED-15SF	15	381	24	610	13	330	39	34	23	20	37	34	13	12
ED-30FT	30	762	24	610	13	330	51	45	45	39	54	45	27	22
ED-30SFT	30	762	24	610	13	330	77	67	45	39	73	67	25	23
ED-15G	15	381	24	610	13.75	349	17	14	N/A	N/A	16	14	N/A	N/A
ED-24G	24	620	24	610	13.75	349	33	28	28	25	31	28	16	14
ED-36G	36	914	24	610	13.75	249	49	42	28	25	46	42	16	14
ED-15B	15	381	24	610	13.75	349	13	12	N/A	N/A	13	12	N/A	N/A
ED-30B	30	762	24	610	13.75	349	39	34	23	20	37	34	13	12
ED-42B	42	1067	24	610	13.75	349	39	34	23	20	37	34	13	12
ED-15W	15	381	24	610	11.50	292	5	5	N/A	N/A	6	5	N/A	N/A

GENERAL INSTALLATION

Unpacking

Carefully remove units from cartons. Remove all packing materials from units. The protective material covering the stainless steel should be removed immediately after the unit is installed.

Serial Plate

All electrical ratings are shown on the serial plate of each unit and are readily visible by opening the enameled door located below the control panel.

Ensure electrical supply conforms with electrical characteristics shown on the rating plate.

Statutory Regulations

The installation and connection should comply with current codes in Canada – The Canadian Electrical Code Part 1 and / or local codes. In USA – The National Electrical Code ANSI / NFPA – Current Edition.

Ventilation requirements can vary by country, state or providence, please consult with local authorities having jurisdiction for code requirements.

Installation Of Banking Plates

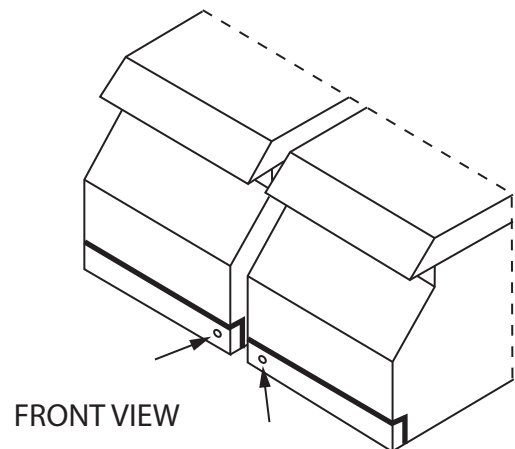
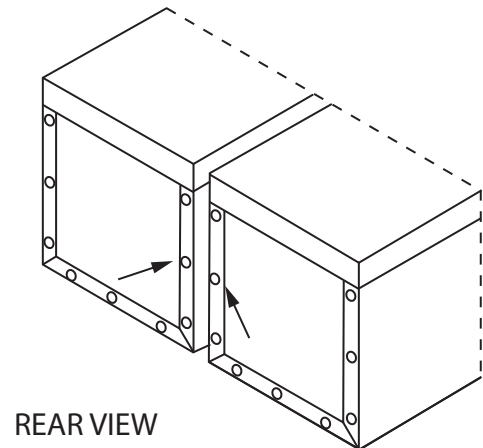
All units may be installed independently or banked with other ED or GD series equipment. To ensure a matching and permanent fit between units, two banking plates are available for each unit to be installed. One at the front and one at the rear of each two units being banked together. If optional 2 1/2" (64mm) legs are supplied with unit, discard leveling bolts and replace with legs.

1. Level each unit by adjustment of leveling bolts or legs. Use a spirit level and level unit four ways; across front and back and down left and right edges. Level all other units to the first unit.

NOTE: Griddles may not rest evenly on the unit body if units are not leveled.

2. Remove acorn nuts at rear of unit.
3. Attach one banking plate in position at rear by placing 1/4" (6mm) diameter holes in the banking plate over the screw holes in the rear of units and fasten by replacing the acorn nuts removed in step 2.
4. Push units into position on counter top or back bar.

5. To secure the front, open the lower front panel, place banking plate over the two holes (one on each unit) and secure banking plate using sheet metal screws supplied.



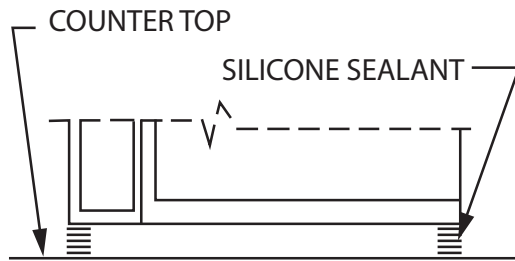
Sanitary Countertop Seal

When appliance is installed without legs on a counter top, it must be sealed in accordance with N.S.F. standards as per the following instructions:

1. Appliance should be located on a level counter top surface. Complete the electrical connection.
2. Thoroughly clean the appliance bottom perimeter and the counter top area around the appliance perimeter.
3. Lay a generous bead of silicone under the entire perimeter of appliance bottom.

GENERAL INSTALLATION continued

- Secure unit to counter top through the holes located on the underside of the appliance using 10A sheet metal screws.
- Smooth the silicone seal into the crevice with finger or tool to provide a cove seal.



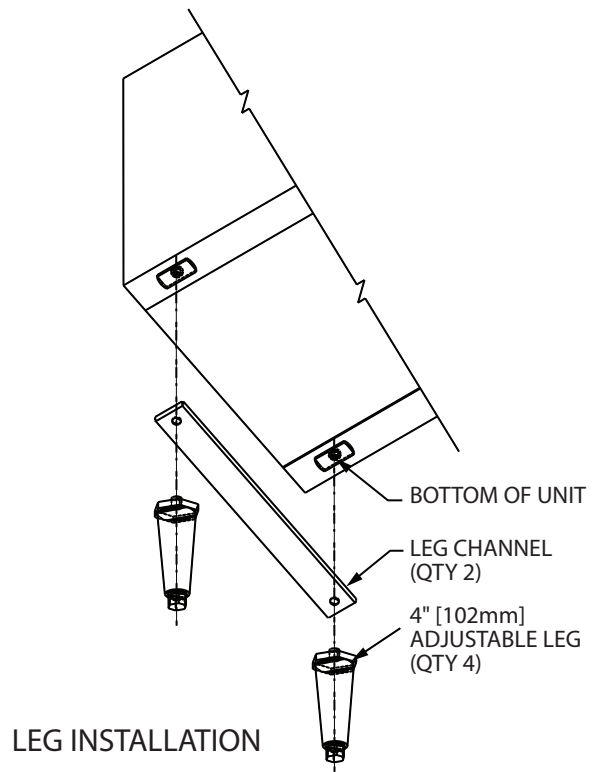
Installation Of Counter Stands (Optional)

- Assemble and level counter stand as illustrated in the instructions found in the counter stand carton.
- Remove and discard leveling bolts on unit to be installed on counter stand.
- Place units in desired position on counter stand, securing the first unit with 8-32 machine screws and flat washers. Insert 8-32 machine screws through the 7/32" (5mm) diameter holes in stand into the nutserts in the bottom of ED Series unit.
- Connect banking plates as described in section titled, Installation of Banking Plates.

- Secure last unit to counter stand with 8-32 machine screws and flat washers. Insert 8-32 machine screws through the 7/32" (5mm) diameter holes in stand into the nutserts in the bottom of ED series unit.

Leg Installation

The leg channel is located on the package base. This channel must be installed when using the legs.



INDIVIDUAL MODEL INSTALLATIONS

Hot Plate – Model ED-15H

Wall Clearances

Do not install appliance closer to a wall of combustible material than:

Back 1 ½" (38mm)

Sides 1 ½" (38mm)

Supply Connection

For supply connection, use wire suitable for 90°C (194°F).

Electrical Connection

A knockout is provided near the front left side of the unit located behind the control panel. To view knockout, loosen the two acorn nuts and hinge control panel downward. The terminal block is also located in this area.

The supply cable entrance is located on the right side when facing the rear of the unit. The cable is fed towards the front through a wire way.

Controls

Infinite switches are used to control the tubular elements:

- HI to 5 - High Heat
- 5 to 3 - Medium Heat
- 3 to LO - Low Heat

Setting of switches between the numbers will give intermediate heat. Switches are reversible and may be turned right or left.

Solid Elements Hot Plate – Model ED-15HSE / ED-15THSE

Wall Clearances

Do not install appliance closer to a wall of combustible material than:

Back 1 ½" (38mm)

Sides 1 ½" (38mm)

Supply Connection

For supply connection, use wire suitable for 75°C (167°F).

NOTE: - All 208V 1 phase 60 hZ ED-15THSE models are equipped with a 4-ft (1219mm) power cord and NEMA L6-30P plug (HUBBELL HBL2621 or equivalent).

Electrical Connection

A knockout is provided near the front left side of the unit located behind the control panel. To view knockout, loosen the two acorn nuts and hinge control panel downward. The terminal block is also located in this area.

The supply cable entrance is located on the right side when facing the rear of the unit. The cable is fed towards the front through a wire way.

Controls

Solid element hot plates are controlled by a six heat switch. There are three boiling and three simmering positions. Turn the switch left or right from the off position to the desired number, one being the lowest setting and six being the highest.

SWITCH POSITION	WATTAGE		HEAT
	15HSE	15THSE	
1	240	200	Low (Simmer)
2	340	305	
3	450	450	Medium
4	1300	950	
5	1750	1400	High (Boil)
6	2600	2000	

This hot plate is protected against overheating when running empty or when using poor quality cookware, by a unique built-in bimetal protector switch.

This protector cuts down the power automatically under the above conditions, overriding the regular switch and it resets itself when conditions return to normal. This is an important safety feature.

Before Operating The Hot Plate

The top working surface has a heat resistant coating. Before using the sealed hot plates for the first time, they should be heated for a short period without a pan to harden and burn off the protective coating (3-5 minutes at the highest setting).

Sealed Hot Plates

All purpose sealed top elements provide an ease-clean top. They are intended for boiling, simmering, sauté and other top cooking.

INDIVIDUAL MODEL INSTALLATIONS continued

Operating practices are very important for the efficient use of these elements:

1. Pot bottoms must be flat. This increases heat transfer to the pot. Do not use pots with either convex or concave in excess of 1 mm (1/32").
2. Use pots with the same diameter as the elements when possible. This will reduce heat up time.
3. Do not preheat the element. Elements are protected with a high limit which automatically reduces the element to a lower power. It will increase heat up time if this occurs.
4. Use a lid to cover the pots when boiling water.

Operating The Sealed Hot Plate

1. Before using the sealed hot plates for the first time they should be heated at setting 3 for 5 minutes, then turned off and allowed to cool. This will harden and burn off the protective coating.
2. Set the six heat switch dial to the desired position from 1 to 6.

APPLICATION	DIAL SETTING	WATTAGE	
		ED-15HSE	ED-15THSE
Boiling, Frying, Braising	6	2300	2000
	5	1750	1400
	4	1300	950
Simmering	3	450	450
	2	340	305
Warming	1	240	200

Shutting down the sealed hot plate:

1. Turn the six heat switch to the off "O" position.

Fryers – Models ED-15F, ED-15SF, ED-30FT & ED-30SFT

Wall Clearance

Do not install appliance closer to a wall of combustible material than:

- Back 1/2" (13mm)
- Sides 1/2" (13mm)

Supply Connection

For supply connection, use wire suitable for 75°C (167°F).

Electrical Connection

A knockout is provided on the right side when facing the rear of the unit. Access to the terminal block is gained by removing the fry tank assembly, the rear shield and contactor box cover all located at the rear of the fryer.

Before Operating the Fryer

1. Before leaving the factory, the fryer was tested and the thermostat calibrated with oil in the fry tank; therefore, it is necessary to clean the fry tank and the elements before filling with frying compound. Use detergent or other cleaning agents, with hot water. Thoroughly rinse and dry fry tank.
2. To remove the fry tank, raise the element assembly by means of the handle until the support engages, holding the element assembly in the upright position. The element assembly is lowered by moving the lock stop to release unit from upright position.

Operating Suggestions

1. For liquid oil fill the frypot with oil to the bottom OIL LEVEL line located on the rear of the frypot. This allows for oil expansion as heat is applied. Do not fill cold oil any higher than the bottom line; overflow may occur as heat expands the oil.
2. When using a solid frying compound, pack the tank with the compound then turn the fryer on and off every 10 seconds and repack until compound has melted. The fryer capacity is 17 Lbs. (7.7Kg) per tank. Scorched shortening cuts down on the useable life and could damage the fryer.

CAUTION: Never set a complete block of solid shortening on top of heating elements.

3. Ensure that the oil level is at the top OIL LEVEL line when the oil is at its cooking temperature. It may be necessary to add oil or shortening to bring the levels up to the proper mark, after reaching cooking temperature.
4. To prolong shortening life, avoid over heating and reduce the temperature during idle periods.
5. Ensure shorting is up to frying temperature before adding foods.

INDIVIDUAL MODEL INSTALLATIONS continued

- To increase the life of the shortening, it should be filtered with Garland fryer filter cones daily or more often, if necessary.
- Baskets should never be more than half full.
- Keep fat at operating level.
- Fry pieces of similar size at the same time for best results.
- Excessive moisture should be shaken from the product before frying.
- Your shortening manufacturer can supply excellent frying and shortening guides.

Controls

- All ED series fryers are equipped with a manually resettable high limit located at the rear of the element termination box. In the event that shortening temperatures exceed normal limits, the high limit will trip and can only be reset by pushing the red button when shortening has cooled.
- All ED series are equipped with a precision electronic thermostat which has been factory calibrated and is designed to hold that calibration. There should never be the need to calibrate this thermostat in the field. Should there ever be an abnormal discrepancy in the set point of actual temperatures, or repeated tripping on the high limit occurs, the fryer should be serviced by an authorized Garland service agency.

**Griddles – Models: ED-15G,
ED-24G & ED-36G
Grooved Griddles – Models:
ED-15G-U, ED-24-U,
ED-24G-U1, ED-36G-U,
ED-36-U1 & ED-36G-U2**

Wall Clearances

Do not install appliance closer to a wall of combustible material than:

Back 1 1/2" (38mm)

Sides 1" (25mm)

Supply Connection

For supply connection, use wire suitable for 75°C (167°F).

Electrical Connection

A knockout is provided near the front left side of the unit located behind the control panel. To view knockout, loosen the two acorn nuts and hinge control panel downward. The terminal block is also located in this area.

The supply cable entrance is located on the right side when facing the rear of the unit. The cable is fed towards the front through a wire way.

Controls

Griddles are equipped with snap action thermostats.

Calibration Instructions

- Field calibration is seldom necessary and should not be attempted unless experience with cooking results definitely proves that the control is not maintaining the temperature to which the dial is set.
- Should calibration be required, use a test instrument (pyrometer) which special disc type thermocouple or reliable "surface" type thermometer.

NOTE: A drop of oil on face of disc will provide better contact.

- Turn ALL griddle temperature control dials to 350°F (177°C). In order to allow griddle temperature to stabilize, the controls must be allowed to cycle twice before taking a test reading.
- Check temperature reading when control just cycles "OFF" (as indicated by the cycling amber pilot), by placing sensor firmly on griddle surface directly above sensing bulb of control. If the temperature does not read within 15°F (8°C) of the dial setting recalibrate as follows.
- Carefully remove the thermostat dial making sure the setting is not disturbed.
- Hold dial shaft steady and with a screwdriver, turn calibration screw located inside the dial shaft, clockwise to decrease and counterclockwise to increase the temperature.

EXAMPLE: 1/4 turn = 35°F (19°C)

- Replace thermostat dial and repeat steps 2 through 4 to verify correct adjustment has been made.

INDIVIDUAL MODEL INSTALLATIONS continued

Broilers – Models: ED-15B, ED-30B & ED-42B

Wall Clearance

Do not install appliance closer to a wall of combustible material than:

Back 9" (229mm)

Sides 9" (229mm)

Supply Connection

For supply connection, use wire suitable for 90°C (194°F).

Electrical Connection

A knockout is provided near the front left side of the unit located behind the control panel. To view knockout, loosen the two acorn nuts and hinge control panel downward. The terminal block is also located in this area.

The cable entrance is located on the right side when facing the rear of the unit. The cable is fed towards the front through a wire way.

Controls

Infinite switches are used to control the elements.

HI to 5 - High heat

5 to 3 - Medium Heat

3 to LO - Low Heat

Setting of switches between the numbers will give intermediate heat. Switches are reversible and may be turned right or left.

Food Warmers – Models ED-15W & ED-15WP

Wall Clearances

Do not install appliance closer to a wall of combustible material than:

Back 1" (25mm)

Sides 1" (25mm)

Supply Connection

NOTE: Applicable to Model ED-15W only. Model ED-15WP is a 115 volt unit supplied with a grounded cord and plug.

For Model ED-15W, use a wire suitable for 90°C (194°F).

Electrical Connection

NOTE: Applicable to Model ED-15W only.

A knockout is provided near the front left side of the unit located behind the control panel. To view knockout, loosen the two acorn nuts and hinge control panel downward. The terminal block is also located in this area.

The supply cable entrance is located on the right side when facing the rear of the unit. The cable is fed towards the front through a wire way.

Controls

Infinite switches are used to control the elements.

HI to 5 - High Heat

5 to 3 - Medium Heat

3 to LO - Low Heat

Setting of switches between the numbers will give intermediate heat. Switches are reversible and may be turned right or left.

Operating Instructions

ED series food warmers are supplied with a removable tank assembly. Fill tank with 1-1/4" (32mm) to 1-1/2" (38mm) of water.

While not supplied with the food warmer it uses a 200 series of Gastronorm cafeteria pan and any arrangement of 200 series pans in various sizes may be used. Individual preference of the operation will determine sizes of inserts to be used. Pans may be purchased from your kitchen equipment dealer.

CAUTION: Do Not Allow The Tank Assembly To Run Dry.

ED Series food warmers are wet type only. Operating these units dry for extended periods may cause the tank assembly to warp and void the warranty.

CLEANING AND MAINTENANCE

Cleaning Exterior Finishes

Black Baked Enamel – Allow equipment to cool after use and wash all grease deposits from exterior with a hot mild detergent or soap solution. Dry thoroughly. Do not use abrasives.

Brushed Chrome Or Brushed Nickel – Wash when cool with a hot mild detergent or soap solution. Do not use abrasives.

Stainless Steel – Normal soil may be removed with a detergent or soap solution applied with a cloth.

To remove grease that has baked on, apply cleanser to a damp cloth or sponge and rub cleanser on the metal in the direction of the polishing lines of the metal. **Never rub in circular motion.** Soil and brunt deposits, which do not respond, can usually be removed by rubbing the surface with Scotch-Brite scouring pads or stainless scouring pads. **DO NOT USE ORDINARY STEEL WOOL.**

Heat tint can be removed by vigorous scouring in the direction of the polish lines using Scotch-Brite scouring pads or stainless scouring pad in combination with powdered cleanser.

Exterior surfaces should be cleaned daily before debris is allowed to heat and bake onto the surfaces.

Fryers

Cleaning The Fry Tank

1. If a liquid frying compound is used, allow the compound to cool, then raise the element assembly by means of the handle until the support engages and let the oil run off the elements into the fry tank. Wipe the surface oil off the elements to prevent dripping into the unit bottom when the tank is removed. Lift out the fry tank and empty the oil into a filter, after filtering it is then ready for re-use. Clean the tank in the pot wash area with a mild detergent and hot water. Rinse with a sponge dipped in a vinegar and water solution. (3/4 cup of vinegar to 1 quart of water) and dry thoroughly with a clean cloth.
2. If hydrogenated (solid) frying compound is used that has been allowed to cool and become solidified, first turn the thermostat dial to 121°C (250°F) until the compound is in a liquid state. Turn the thermostat dial/s to off "O". Lift the element assembly by means of the handle until the support engages and let the oil run off the elements into the fry tank. Then proceed as described in step 1 to filter the compound and clean the fry tank.

3. Clean the top of the unit with a cloth soaked in a mild detergent and hot water, including the front of the element assembly housing. Rinse with a clean cloth dipped in clean hot water, Dry thoroughly with a clean cloth.

Griddle Top Plates

Seasoning

Before being used for the first time, all the griddle surfaces must be seasoned.

1. Wash griddle with a hot detergent or soap solution, rinse and dry thoroughly.
2. Set the griddle heat to lowest possible temperature for 30 minutes. Apply a thin film of cooking oil.
3. Allow oil to remain on griddle 5 minutes then wipe off.
4. Reset heat to medium temperature and apply a second film of oil.
5. Wipe off excess after 5 minutes. Reset heat to cooking temperature and apply a final film of oil wiping off surplus after 3 minutes.

The griddle is now seasoned and ready for use. The griddle may be re-seasoned at any time by cleaning thoroughly and following the seasoning procedure.

Cleaning

Griddle plates should be wiped daily while still warm. Remove carbonized grease or food with spatula. When necessary, clean griddle surfaces thoroughly using a fine griddle brick or a liquid griddle cleaner (available from your kitchen equipment dealer). Polish the griddle surface to a bright finish. For stubborn residue wash the griddle surfaces, rinse and dry thoroughly. Re-season griddle.

Broiler

Broiler Grates Surfaces

Broiler grates – or cooking racks are manufacture from a cast iron material. For maximum efficiency the racks should be scraped and wiped down daily. Grease and other food particles char and carbonize onto the rack surfaces building up becoming harder to clean.

CLEANING AND MAINTENANCE continued

Broiler Interior and Under Broiler Grates

Debris and grease that gathers inside the broiler and must be removed.

Daily

1. Lowering the front black enamel panel and remove the grease drawer to be empty. NEVER operate the broiler without the grease drawer. A magnetic door catch on the grease drawer holds the front panel closed, acting as a simple safety reminder. The front panel will not close when the grease drawer is not in place.
2. In order for an electric broiler to heat up the cooking racks/grates the electric elements must be attached to the grates. After the broiler has cooled down, clean inside the broiler under these grates using the broiler grate lifter supplied with the broiler to lift the racks. Once the grates are lifted a prop will kick out that is attached to the underside of the grates to hold assembly up. This will allow you access to clean the inside the broiler.

Periodic Cleaning

Over time debris carbonizes on the broiler grates requiring major cleaning with detergent soap or degrease agent. The broiler racks can be completely removed from the attached elements for cleaning.

WARNING: All power should be shut off prior to cleaning.

1. Lift the broiler grates as described in the daily cleaning section.
2. You will see the elements clamps that attaches the elements to grates. Remove the element clamps and clean the broiler racks.
3. Reverse the above procedure to reassemble the broiler.

After major cleaning it is recommended that you re-season the broiler grates. Broiler grates are manufactured from cast iron, which is a porous material. Major cleaning removes the oils in the metal that helps prevent food from sticking to the cook surface requiring re-seasoning.

To re-season the grates heat the broiler at a low temperature setting then rub cooking oil into the broiler rack. At this point you are ready to begin cooking again. If food is still sticking to the broiler grate rub more cooking oil onto the grates.

WARNING : NEVER use tin foil inside the broiler as it is a reflective material and it could cause the temperature to escalate beyond the normal range of the broiler design.

 **Garland**[®]

Garland  TM

- 2 Les pinces des éléments fixant les éléments aux grilles sont alors visibles. Retirer les pinces des éléments et nettoyer les grilles de la rotissoire.
3. Inverser la procédure ci-dessus pour remonter la rotissoire.

Après chaque nettoyage important, il est recommandé d'apprêter de nouveau les grilles de la rotissoire. Les grilles de la rotissoire sont fabriquées en fonte, qui est un matériau poreux. Un nettoyage majeur élimine les huiles se trouvant dans le métal qui empêchent les aliments de coller à la surface de cuisson, ce qui nécessite donc un nouvel apprêtage.

Pour apprêter de nouveau les grilles, chauffer la rotissoire à basse température puis frotter les grilles avec de l'huile de cuisson. Vous pouvez alors commencer de nouveau la cuisson. Si les aliments continuent de coller aux grilles de la rotissoire, frotter encore les grilles avec de l'huile.

AVERTISSEMENT : NE JAMAIS utiliser de feuille d'étain à l'intérieur de la rotissoire car il s'agit d'un matériau réfléchissant qui pourrait causer une augmentation de la température au-delà de la plage pour laquelle la rotissoire est conçue.

- 2 Pour qu'une rotissoire électrique puisse chauffer, les éléments électriques des grilles de cuisson doivent être fixés aux grilles. Une fois que la rotissoire a refroidi, nettoyer l'intérieur de la rotissoire sous ces grilles en utiliser le dispositif de levage des grilles fourni avec la rotissoire. Une fois les grilles soulevées, une béquille fixée à la partie inférieure des grilles sort et permet de maintenir l'ensemble levé. Cela permet d'accéder à l'intérieur de la rotissoire pour le nettoyer.

Nettoyage Périodique

Avec le temps, les débris se carbonisent sur les grilles de la rotissoire, ce qui nécessite un nettoyage majeur avec un détergent ou agent dégraisant. Les grilles de la rotissoire peuvent être retirées complètement des éléments fixés pour le nettoyage.

AVERTISSEMENT : L'alimentation électrique doit être coupée avant le nettoyage.

1. Lever les grilles de la rotissoire comme décrit dans la section de nettoyage quotidien.

La coloration causée par la chaleur peut être éliminée en frottant vigoureusement dans le sens des lignes de polissage avec des tampons à récurer Scotch-Brite ou un tampon à récurer pour acier inoxydable combinés à un produit de nettoyage en poudre.

Les surfaces extérieures doivent être nettoyées quotidiennement avant que les débris puissent chauffer et cuire sur les surfaces.

Frituses

Nettoyage Du Bassin De Friture

1. En cas d'utilisation de produit à friture liquide, laisser le produit refroidir, puis soulever l'ensemble d'éléments chauffants avec la poignée jusqu'à enclenchement du support et laisser l'huile couler des éléments dans le bassin de friture. Essuyer l'huile des éléments pour éviter qu'ils ne s'égouttent dans le fond de l'appareil une fois le bassin retiré. Soulever le bassin à friture et vider l'huile dans un filtre; après filtration, elle est prête à être réutilisée. Nettoyer le bassin dans le secteur de lavage des marmites avec un détergent doux et de l'eau chaude. Rincer avec une éponge trempée dans une solution de vinaigre dans l'eau. (3/4 de tasse de vinaigre pour 1 litre d'eau) et sécher soigneusement avec un chiffon sec.

2. En cas d'utilisation de produit à friture hydrogène (solide) que l'on a laissé refroidir et se solidifier, commencer par tourner le cadran du thermostat sur 121°C (250°F) jusqu'à ce que le produit à friture devienne liquide. Tourner le cadran du thermostat sur arrêt « O ». Soulever l'ensemble d'éléments avec la poignée jusqu'à ce que le support s'enclenche et laisser le produit à friture s'égoutter dans le bassin. Procéder ensuite comme décrit à l'étape 1 pour filtrer le produit à friture et nettoyer le bassin.

3. Nettoyer le dessus de l'appareil ainsi que l'avant du carter de l'ensemble d'éléments chauffants avec un chiffon trempé dans de l'eau chaude et du détergent doux. Rincer avec un chiffon propre trempé dans de l'eau chaude propre et sécher avec un chiffon propre.

Plaques Supérieures De Gril

Apprêtage

Avant de les utiliser pour la première fois, toutes les surfaces du gril doivent être apprêtées.

1. Laver le gril avec une solution chaude de détergent ou de savon, rincer et sécher soigneusement.

2. Régler le gril à la température la plus basse possible pendant 30 minutes. Appliquer une mince couche d'huile de cuisson.

3. Laisser l'huile sur le gril pendant 5 minutes, puis l'essuyer.

4. Régler le gril sur une température moyenne et appliquer une deuxième couche d'huile.

5. Essuyer l'excès au bout de 5 minutes. Régler le gril à la température de cuisson et appliquer une couche finale d'huile en essuyant l'excès après 3 minutes.

Le gril est maintenant apprêté et prêt à être utilisé. On peut apprêter de nouveau le gril à n'importe quel moment en le nettoyant à fond et en suivant la procédure d'apprêtage.

Nettoyage

Les plaques du gril doivent être essuyées chaque jour pendant qu'elles sont encore chaudes. Éliminer la graisse ou les aliments carbonisés avec la spatule. Si nécessaire, nettoyer à fond les surfaces du gril avec une pierre à gril fine ou un produit de nettoyage liquide pour gril (disponible auprès de votre fournisseur d'équipement pour cuisine). Polir la surface du gril pour obtenir un fini brillant. Pour les résidus rebelles, laver les surfaces du gril, rincer et sécher à fond. Apprêter de nouveau le gril.

Rôtissoire

Surfaces Des Grilles De La Rôtissoire

Les grilles de la rôtissoire – ou grilles de cuisson – sont en fonte. Pour une efficacité maximale, les grilles doivent être grattées et essuyées chaque jour. La graisse et les particules d'aliment se carbonisent sur les surfaces des grilles et s'accumulent en devenant plus difficiles à nettoyer.

Intérieur De La Rôtissoire Et Sous Les Grilles De La Rôtissoire

Les débris et la graisse qui s'accumulent à l'intérieur de la rôtissoire doivent être éliminés.

Chaque Jour

1. Abaisser le panneau émaille noir avant et retirer le tiroir à graisse à vider. NE JAMAIS utiliser la rôtissoire sans le tiroir à graisse. Un loquet magnétique sur le tiroir à graisse maintient fermé le panneau avant et sert de rappel de sécurité. Le panneau avant ne peut pas être fermé quand le tiroir à graisse n'est pas en place.

Connexions Électriques

NOTA : Applicable au modèle ED-15W seulement.

Une entrée défonçable est prévue près du côté avant gauche de l'appareil se trouvant derrière le panneau de commande. Pour voir l'entrée défonçable, desserrer les deux écrous bornes et basculer le panneau de commande vers le bas. Le bornier se trouve également dans cette zone.

L'entrée du câble d'alimentation se trouve sur le côté droit lorsque l'on se place en face de la partie arrière de l'appareil. Le câble doit passer vers l'avant de l'appareil par un passage de câble.

Commandes

Des commutateurs à réglage infini sont utilisés pour commander les éléments tubulaires.

HI à 5	-	Chauffage Fort
5 à 3	-	Chauffage Moyen
3 à LO	-	Chauffage Faible

Le fait de placer les commutateurs entre les chiffres donne un réglage de chauffe intermédiaire. Les commutateurs sont réversibles et peuvent tourner à gauche ou à droite.

Instructions D'utilisation

Les chauffe-plats série ED sont fournis avec un ensemble de cuve amovible. Remplir la cuve avec 1-1/4 po (32 mm) à 1-1/2 po (38 mm) d'eau.

Même si les bacs ne sont pas fournis avec le chauffe-plats, celui-ci utilise un bac cafetière Gastronorm série 200 et on peut utiliser n'importe quel ensemble de bacs série 200 en différentes tailles. En fonction de l'établissement, on déterminera les tailles des bacs à utiliser. Les bacs peuvent être achetés auprès de votre concessionnaire en équipements de cuisine.

ATTENTION : Ne pas laisser l'ensemble de réservoir sans eau.

Les chauffe-plats série Ed sont de type humide seulement. L'utilisation de ces appareils sans eau pendant des périodes de temps prolongées peut causer un gauchissement de l'ensemble de réservoir et annuler la garantie.

Nettoyage Des Fins Extérieurs

Email Noir – Laisser l'équipement refroidir après utilisation et laver tous les dépôts graisseux à l'extérieur avec une solution très chaude de détergent doux ou de savon. Bien sécher. Ne pas utiliser de produits abrasifs.

Chrome Ou Nickel Brossé – Laver les pièces une fois froides avec une solution très chaude de détergent doux ou de savon. Ne pas utiliser de produits abrasifs.

Acier Inoxydable – Les salissures normales peuvent être éliminées avec une solution de détergent ou de savon appliquée avec un chiffon.

Pour éliminer la graisse cuite sur place, appliquer le produit de nettoyage sur un chiffon ou un éponge humide et frotter le métal dans le sens des lignes de polissage du métal. **Ne jamais frotter avec un mouvement circulaire.** La saleté et les dépôts brûlés qui ne se détachent pas ainsi peuvent habituellement être éliminés en frottant la surface avec des tampons à récureur Scotch-Brite ou des tampons à récureur pour acier inoxydable. NE PAS UTILISER DE LAINE D'ACIER ORDINAIRE.

ENTRETIEN ET NETTOYAGE

Commandes

Les grils sont équipés de thermostats à rupture brusque.

Instructions D'étalonnage

1. L'étalonnage sur place est rarement nécessaire et on ne devra pas essayer de le faire sauf si les résultats de cuisson démontrent que les commandes ne maintiennent pas les températures sur lesquelles sont réglées les commandes.

2. Si un étalonnage est nécessaire, utiliser un instrument d'essai (pyromètre) avec thermocouple spécial de type à disque ou un thermomètre faible de type « surface ».

Nota : Une goutte d'huile à la surface du disque assurera un meilleur contact.

3. Tourner TOUTS les cadrans de commande de température du gril à 350°F (177°C). Pour permettre à la température du gril de se stabiliser, il faut laisser les commandes cycler deux fois avant de mesurer la température.

4. Vérifier la température quand la commande COUPE l'alimentation (comme indiqué par le témoin ambre), en maintenant fermement le capteur à la surface du gril, directement au-dessus du bulbe thermostatique de contrôle. Si la température diffère de plus de 15°F (8°C) de la température du cadran, réétalonner comme suit :

5. Retirer soigneusement le cadran du thermostat en faisant attention à ne pas modifier le réglage.

6. Immobiliser l'axe du cadran et, avec un tournevis, tourner la vis d'étalonnage située à l'intérieur de l'axe du cadran, dans le sens des aiguilles d'une montre pour diminuer et dans le sens contraire pour augmenter la température.

EXEMPLE : 1/4 tour = 35°F (19°C)

7. Remettre en place le cadran du thermostat et répéter les étapes 2 à 4 pour vérifier que le réglage est correct.

Rôtissoires – Modèles : ED-15B, ED-30B Et ED-42B

Dégagements Par Rapport Aux Murs

Ne pas installer l'appareil à une distance de matériaux combustibles inférieure à :

Arrière : 9 po (229 mm)

Côtés : 9 po (229 mm)

Commandes

Connexion D'alimentation

Pour la connexion d'alimentation, utiliser un câble convenant à une température de 90°C (194°F).

Connexions Électriques

Une entrée défonçable est prévue près du côté avant gauche de l'appareil se trouvant derrière le panneau de commande. Pour voir l'entrée défonçable, desserrer les deux écrous bornes et basculer le panneau de commande vers le bas. Le bornier se trouve également dans cette zone.

L'entrée du câble d'alimentation se trouve sur le côté droit lorsque l'on se place en face de la partie arrière de l'appareil. Le câble doit passer vers l'avant de l'appareil par un passage de câble.

Commandes

Des commutateurs à réglage infini sont utilisés pour commander les éléments tubulaires.

HI à 5	-	Chauffage Fort
5 à 3	-	Chauffage Moyen
3 à LO	-	Chauffage Faible

Le fait de placer les commutateurs entre les chiffres donne un réglage de chauffe intermédiaire. Les commutateurs sont réversibles et peuvent tourner à gauche ou à droite.

Chauffe-plats : Modèles: EDU-15W Et ED-15WP

Dégagements Par Rapport Aux Murs

Ne pas installer l'appareil à une distance de matériaux combustibles inférieure à :

Arrière 1 po (25 mm)

Côtés 1 po (25 mm)

Connexion D'alimentation

NOTA : Applicable au modèle ED-15W seulement. Le modèle ED-15WP est un appareil fonctionnant en 115 volts livré avec un cordon d'alimentation et une fiche avec prise de terre. Pour le modèle ED-15W, utiliser un câble convenant pour une température de 90°C (194°F).

Commandes

1. Toutes les friteuses de série ED sont équipées d'un dispositif à maximum réenclenchable à la main placé à l'arrière du boîtier de raccordement des éléments. Dans le cas où les températures du produit de friture dépassent les limites normales, le dispositif à maximum se déclenche et ne peut être réenclenché qu'en appuyant sur le bouton rouge une fois que le produit de friture a refroidi.

2. Tous les appareils de la série ED sont équipés d'un thermostat électronique de précision qui a été étalonné en usine et est conçu pour conserver cet étalonnage. Il ne devrait pas être nécessaire d'étalonner de nouveau ce thermostat sur place. Dans le cas où il y aurait une différence anormale entre le point de réglage et les températures réelles ou en cas de déclenchement répété du dispositif à maximum, la friteuse devra être réparée par une agence de réparation agréée par Garland.

Grils – Modèles : ED-15G, ED-24G Et ED-36G;

Grils Rainurés – Modèles :

ED-15G-U, ED-24-U,

ED-24G-U1, ED-36G-U,

ED-36-U1 Et ED-36G-U2

Dégagements Par Rapport Aux Murs

Ne pas installer l'appareil à une distance de matériaux combustibles inférieure à :

Arrière : 1-1/2 po (38 mm)

Côtés : 1 po (25 mm)

Connexion D'alimentation

Pour la connexion d'alimentation, utiliser un câble convenant à une température de 75°C (167°F).

Connexions Electriques

Une entrée défonçable est prévue près du côté avant gauche de l'appareil se trouvant derrière le panneau de commande. Pour voir l'entrée défonçable, desserrer les deux écrous bornes et basculer le panneau de commande vers le bas. Le bornier se trouve également dans cette zone.

L'entrée du câble d'alimentation se trouve sur le côté droit lorsque l'on se place en face de la partie arrière de l'appareil. Le câble doit passer vers l'avant de l'appareil par un passage de câble.

2. Pour retirer le bassin de friture, soulever les éléments à l'aide de la poignée jusqu'à l'engagement du support maintenant l'ensemble des éléments en position haute. L'ensemble des éléments est abaissé en déplaçant la butée de verrouillage de la position haute.

Suggestions D'utilisation

1. Pour la suffisance liquide d'huile le friture avec de l'huile à la ligne DE NIVEAU inférieure d'huile située sur l'arrière du friture. Ceci tient compte de l'expansion d'huile pendant que la chaleur est appliquée. Ne remplissez pas l'huile froide plus haut que le résultat ; le débordement peut se produire pendant que la chaleur augmente l'huile.
 2. En cas d'utilisation de produit à friture solide, tasser le produit dans le bassin puis allumer la friteuse et l'éteindre toutes les 10 secondes et rajouter du produit jusqu'à ce qu'il soit tout fondu. La capacité de la friteuse est de 17 Lb. (7,7 kg) par bassin. Du shortening brûlé ne peut plus être utilisé et pourrait endommager la friteuse.
- ATTENTION : Ne placez jamais un bloc complet de rapetissement plein sur des éléments de chauffe. rapetissement de cuisson. Il peut être nécessaire d'ajouter NIVEAU supérieure d'huile quand l'huile est à sa température de cuisson. l'huile ou le rapetissement pour apporter les niveaux jusqu'à la marque appropriée, après température de cuisson de atteinte.

3. Assurez-vous que le niveau d'huile est à la ligne DE NIVEAU supérieure d'huile quand l'huile est à sa température de cuisson. Il peut être nécessaire d'ajouter l'huile ou le rapetissement pour apporter les niveaux jusqu'à la marque appropriée, après température de cuisson de atteinte.
4. Pour prolonger la durée de vie du shortening, éviter toute surchauffe et réduire la température pendant les périodes d'inactivité.
5. S'assurer que le shortening a atteint la température de friture avant d'ajouter les aliments.
6. Pour augmenter la durée de vie du shortening, le filtrer avec des cônes à filtrer pour friteuse Garland, chaque jour ou plus souvent si nécessaire.
7. Les paniers ne doivent jamais être plus que moitié pleins.
8. Maintenir le niveau de produit pour friture.
9. Pour de meilleurs résultats, faire frite des morceaux de taille similaire.
10. Éliminer du produit l'humidité en excès avant de le faire frite.

11. Votre fabricant de shortening peut vous offrir d'excellents guides sur la friture et l'utilisation du shortening.

Avant D'utiliser La Plaque Chauffante

La surface de travail supérieure de la plaque porte un revêtement résistant à la chaleur. Avant d'utiliser les plaques chauffantes scellées pour la première fois, elles doivent être chauffées pendant une courte période de temps sans ustensiles dessus afin de durcir et de brûler le revêtement de protection (3- 5 minutes au réglage le plus fort).

Plaques Chauffantes Scellées

Les éléments de chauffe scellés tout usage offrent l'avantage d'une plaque facile à nettoyer. Ils peuvent être utilisés pour faire bouillir, mijoter, braiser et pour tout autre procédé de cuisson sur plaque.

Les pratiques d'utilisation sont très importantes pour l'utilisation efficace de ces éléments :

1. Le dessous des marmittes doit être bien plat. Ceci optimise le transfert de la chaleur. Ne pas utiliser de marmittes convexes ou concaves de plus de 1 mm (1/32 po).

2. Utiliser, autant que possible, des marmittes d'un diamètre similaire à celui de la plaque. Ceci réduit le temps de chauffage.
3. Ne pas préchauffer les éléments. Les éléments sont protégés par un dispositif automatique qui réduit automatiquement sa puissance d'alimentation. Ceci augmentera le temps de montée en température.

1. Avant la première utilisation des plaques chauffantes, les faire chauffer pendant 5 minutes sur le réglage 3, les arrêter et les laisser refroidir. Cette opération fera durcir et brûler le revêtement de protection.
2. Placer le commutateur à 6 positions à la position choisie entre 1 et 6.

Utilisation De La Plaque Chauffante Scellée

1. Placer le commutateur à 6 positions en position « OFF ».

Arrêt Des Plaques Chauffantes Scellées :

Application	Réglage De L'interrupteur	Puissance	
		ED-15THSE	ED-15HSE
Bouillir, Frire, Braisier	6	2300	2000
	5	1750	1400
Mijoter	4	1300	950
	3	450	450
Réchauffer	2	340	305
	1	240	200

Ne pas installer l'appareil à une distance de matériaux combustibles inférieure à :

Arrière : 1/2 po (13mm)
Côtés : 1/2 po (13mm)

Connexion D'alimentation

Pour la connexion d'alimentation, utiliser un câble convenant à une température de 75°C (167°F).

Alimentation Electrique

Une entrée défonçable est prévue sur le côté droit quand on est face à l'arrière de l'appareil. On accède au bornier en retirant l'ensemble du bassin de friture, le bouchier arrière et le couvercle du boîtier du contacteur à l'arrière de la friteuse.

Avant D'utiliser La Friteuse

1. Avant son départ de l'usine, la friteuse a été testée et son thermostat étalonné avec de l'huile dans le bassin de friture. Pour cette raison, il est nécessaire de nettoyer le bassin de friture et les éléments avant de la remplir avec du produit de friture. Utiliser du détergent ou tout autre produit de nettoyage et de l'eau chaude. Bien rincer et assécher le bassin.

Plaque Chauffante – Modèle ED -15H

Dégagements Par Rapport Aux Murs

Ne pas installer l'appareil à une distance de matériaux combustibles inférieure à :

Arrière 1 1/2 po (38 mm)
Côtés 1 1/2 po (38 mm)

Connexion D'alimentation

Pour la connexion d'alimentation, utiliser un câble convenant à une température de 90°C (194°F).

Alimentation Electrique

Une entrée défonçable est prévue près du côté avant gauche de l'appareil se trouvant derrière le panneau de commande. Pour voir l'entrée défonçable, desserrer les deux écrous bornes et basculer le panneau de commande vers le bas. Le bornier se trouve également dans cette zone.

L'entrée du câble d'alimentation se trouve sur le côté droit lorsque l'on se place en face de la partie arrière de l'appareil. Le câble doit passer vers l'avant de l'appareil par un passage de câble.

Commandes

Des commutateurs à réglage infini sont utilisés pour commander les éléments tubulaires :

Hi à 5 - Chauffage Fort
5 à 3 - Chauffage Moyen
3 à LO - Chauffage Faible

Le fait de placer les commutateurs entre les chiffres donne un réglage de chauffe intermédiaire. Les commutateurs sont réversibles et peuvent tourner à gauche ou à droite.

Plaque Chauffante À Éléments Pleins – Modèle ED-15HSE / ED-15THSE

Dégagements Par Rapport Aux Murs

Ne pas installer l'appareil à une distance de matériaux combustibles inférieure à :

Arrière 1 1/2 po (38 mm)
Côtés 1 1/2 po (38 mm)

Connexion D'alimentation

Pour la connexion d'alimentation, utiliser un câble convenant à une température de 75°C (167°F).

NOTA: - Tout les modèles ED-15THSE a 208V 1 phase 60 hZ, seront munis d'un cordon électrique de 4 pieds de long, NEMA L6-30P (HUBBELL HBL2621 ou équivalent)

Alimentation Electrique

Une entrée défonçable est prévue près du côté avant gauche de l'appareil se trouvant derrière le panneau de commande. Pour voir l'entrée défonçable, desserrer les deux écrous bornes et basculer le panneau de commande vers le bas. Le bornier se trouve également dans cette zone.

L'entrée du câble d'alimentation se trouve sur le côté droit lorsque l'on se place en face de la partie arrière de l'appareil. Le câble doit passer vers l'avant de l'appareil par un passage de câble.

Commandes

Les plaques chauffantes à éléments pleins sont commandées par un commutateur à 6 positions, 3 pour faire bouillir et 3 pour mijoter. Tourner le commutateur à gauche ou à droite par rapport à la position Arrêt (OFF), pour le placer sur le chiffre choisi, le chiffre 1 étant le plus bas et le chiffre 6 le plus haut.

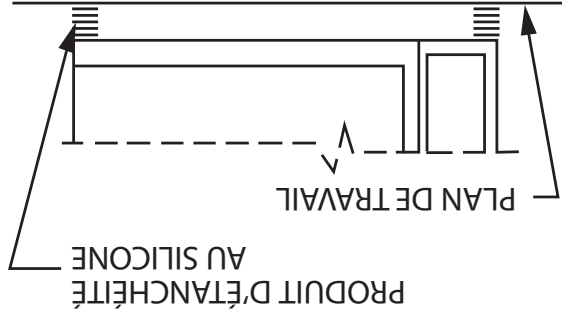
Chaleur	Position De l'Interrupteur		Puissance
	15HSE	15THSE	
Faible (Mijoter)	1	240	200
	2	340	305
Moyen	3	450	450
	4	1 300	950
Fort (Bouillir)	5	1 750	1 400
	6	2 600	2 000

Cette plaque chauffante est protégée contre la surchauffe en cas d'allumage à vide ou en cas d'utilisation d'ustensiles de cuisson de mauvaise qualité, par un interrupteur de protection bimétallique intégré de conception unique. Ce dispositif coupe automatiquement l'alimentation électrique dans les conditions décrites plus haut, annulant le réglage de l'interrupteur normal et restitue la puissance lorsque les conditions de fonctionnement reviennent à la normale. Ceci est une importante caractéristique de sécurité.

Étanchéité Sanitaire Du Plan De Travail

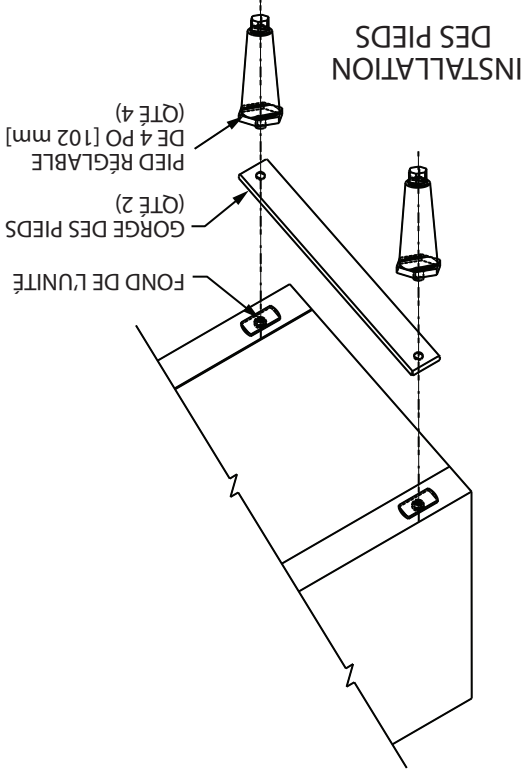
Lorsque l'appareil est installé sans les pieds sur un plan de travail, il doit être scellé conformément aux normes N.S.F. comme suit :

1. L'appareil doit être installé sur un plan de travail de niveau. Terminer les connexions électriques.
2. Nettoyer soigneusement le périmètre inférieur de l'appareil et le plan de travail autour du périmètre de l'appareil.
3. Disposer un généreux cordon de silicone sous tout le périmètre du fond de l'appareil.
4. Fixer l'appareil au plan de travail en utilisant les trous se trouvant sous l'appareil et en utilisant des vis à tête 10A.
5. Lisser le joint de silicone en le poussant dans la fente avec un doigt ou un outil afin d'obtenir un joint à gorge.



Installation Des Socles De Comptoir (Option)

1. Assembler et mettre de niveau le socle de plan de travail comme indiqué dans les instructions se trouvant dans le carton du socle.
2. Retirer et jeter les boulons de mise à niveau des appareils devant être installés sur un socle de plan de travail.



Installation Des Pieds

La gorge pour les pieds est située sur la base de l'ensemble. Cette gorge doit être installée quand on utilise les pieds.

3. Placer les appareils dans les positions choisies sur le socle de plan de travail, en fixant la première unité avec des vis à métaux de 8-32 et des rondelles plates. Insérer les vis à métaux de 8-32 à travers les trous de diamètre 7/32 po (5 mm) du socle dans les écrous au fond de l'appareil de série EDU.
4. Connecter les plaques d'union comme décrit dans la section Installation des plaques d'union.
5. Fixer la dernière unité au socle de plan de travail à l'aide de vis à métaux 8-32 et de rondelles plates. Insérer les vis à métaux 8-32 à travers les trous de diamètre 7/32 po (5 mm) du socle et dans les écrous au fond de l'appareil de série EDU.

Déballage

Retirer soigneusement les appareils des cartons. Retirer tous les matériaux d'emballage des appareils. Les matériaux de protection des surfaces en acier inoxydable doivent être retirés aussitôt après l'installation de l'appareil.

Plaque Signalétique

Toutes les indications électriques sont présentes sur la plaque de série de chaque appareil et sont facilement lisibles en ouvrant la porte émaillée sous le panneau de commande. S'assurer que l'alimentation électrique est conforme aux caractéristiques électriques indiquées sur la plaque signalétique.

Réglementation Légale

L'installation et la connexion doivent respecter les codes en vigueur au Canada - Le Code Électrique Canadien, Partie 1 et/ou les codes. Locaux. Aux États-Unis - Le National Electrical Code ANSI / NFPA - Edition En Vigueur.

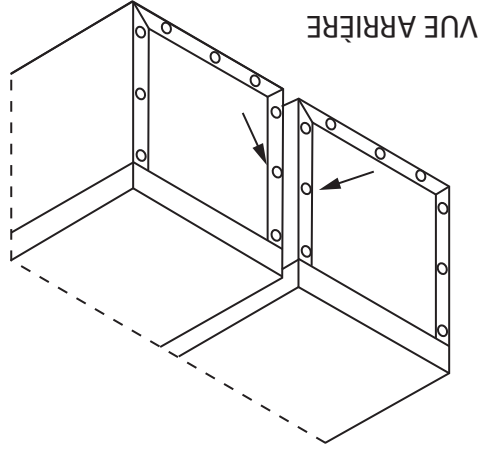
Les exigences en matière de ventilation peuvent varier en fonction du pays, de l'état ou de la province; consulter les autorités locales ayant juridiction pour les exigences en matière de code.

Installation Des Plaques D'union

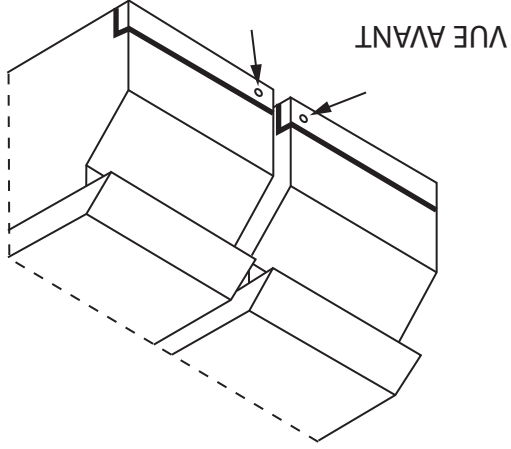
Toutes les unités peuvent être installées indépendamment ou en série avec d'autres équipements de séries ED ou GD. Pour assurer la correspondance et l'ajustement permanent entre les unités, deux plaques d'union sont livrées pour ce type d'installation. Une plaque se trouve à l'avant et l'autre à l'arrière de chacune des deux unités à installer. Si les pieds de 2-1/2 po (64 mm) en option sont livrés avec l'unité, jeter les boulons de mise à niveau et les remplacer par les pieds.

1. Mettre chaque appareil de niveau en ajustant les boulons de mise à niveau ou les pieds. Utiliser un niveau à bulle et mettre l'appareil de niveau dans quatre directions : en travers à l'avant et à l'arrière et verticalement sur les bords de droite et de gauche. Mettre toutes les unités de niveau avec la première.

Note : Les grils peuvent ne pas reposer correctement, si les appareils ne sont pas de niveau.



VUE ARRIÈRE



VUE AVANT

2. Retirer les écrous borgnes à l'arrière de l'appareil.
3. Fixer une plaque d'union en place à l'arrière en mettant les trous de diamètre 1/4 po (6,4 mm) de la plaque d'union sur les trous de vis à l'arrière de l'appareil et les serrer à l'aide des écrous borgnes retirés à l'étape 2.
4. Pousser les appareils pour les mettre en place sur le plan de travail ou le dossier du bar.
5. Pour fixer l'avant, ouvrir le panneau inférieur avant, placer la plaque d'union sur les deux trous (un sur chaque appareil) et fixer la plaque à l'aide des vis à tôle fournies.

NUMÉRO DE MODÈLE	Po	mm	Profondeur	mm	Po	mm	DIMENSIONS TOTALES				TABLEAU PHASES ET AMPÉRAGE			
							Hauteur		Amérique Du Nord		Export		Monophasé	
ED-15H	15	381	24	610	11.25	286	21	18	18	16	20	18	10	9
ED-15HSE	15	381	24	610	11.25	286	25	22	22	19	24	22	12	11
ED-15THSE	15	381	24	610	11.25	286	19.2	16.7	16.7	14.4	Contacter l'usine			
ED-15SF	15	382	24	610	13	330	26	23	N/A	N/A	27	23	N/A	N/A
ED-15SF	15	381	24	610	13	330	39	34	23	20	37	34	13	12
ED-30FT	30	762	24	610	13	330	51	45	45	39	54	45	27	22
ED-30SFT	30	762	24	610	13	330	77	67	45	39	73	67	25	23
ED-15G	15	381	24	610	13.75	349	17	14	N/A	N/A	16	14	N/A	N/A
ED-24G	24	620	24	610	13.75	349	33	28	28	25	31	28	16	14
ED-36G	36	914	24	610	13.75	249	49	42	28	25	46	42	16	14
ED-15B	15	381	24	610	13.75	349	13	12	N/A	N/A	13	12	N/A	N/A
ED-30B	30	762	24	610	13.75	349	39	34	23	20	37	34	13	12
ED-42B	42	1067	24	610	13.75	349	39	34	23	20	37	34	13	12
ED-15W	15	381	24	610	11.50	292	5	5	N/A	N/A	6	5	N/A	N/A

TABLEAU DE CHARGE ET DE TENSION				
Puissance Totale Kw				
NUMÉRO DE MODÈLE	Amérique Du Nord		Export	
	208V	240V	220V/380V	240V/415V
ED-15H	4.2	4.2	5.2	4.2
ED-15HSE	5.2	5.2	5.2	5.2
ED-15THSE	4.0	4.0	Contacter l'usine	
ED-15F	5.3	5.3	5.93	5.3
ED-15SF	8.0	8.0	8.0	8.0
ED-30FT	10.6	10.6	11.86	10.3
ED-30SFT	16.0	16.0	16.0	16.0
ED-15G	3.4	3.4	3.4	3.4
ED-24G	6.7	6.7	6.7	6.7
ED-36G	10.1	10.1	10.1	10.1
ED-15B	2.7	2.7	2.7	2.7
ED-30B	5.4	5.4	5.4	5.4
ED-42B	8.1	8.1	8.1	8.1
ED-15W	1.0	1.0	1.12	1.0

DIMENSIONS ET SPÉCIFICATIONS

2	INFORMATIONS IMPORTANTES	2
4	DIMENSIONS ET SPÉCIFICATIONS	4
5	INSTALLATION GÉNÉRALE	5
5	Déballage	5
5	Plaque Signalétique	5
5	Réglementation Légale	5
5	Installation Des Plaques D'union	5
6	Étanchéité Sanitaire Du Plan De Travail	6
6	Installation Des Socles	6
6	De Comptoir (Option)	6
6	Installation Des Pieds	6
7	INDIVIDUELS	7
7	Plaque Chauffante –	7
7	Modèle ED-15H	7
7	Dégagements Par Rapport Aux Murs	7
7	Connexion D'alimentation	7
7	Alimentation Electrique	7
7	Commandes	7
7	Plaque Chauffante À Éléments Pleins – Modèle ED-15HSE / ED-15THSE	7
7	Dégagements Par Rapport Aux Murs	7
7	Connexion D'alimentation	7
7	Alimentation Electrique	7
7	Commandes	7
8	Avant D'utiliser La Plaque Chauffante	8
8	Plaques Chauffantes Scellées	8
8	Utilisation De La Plaque Chauffante Scellée	8
8	Friteuses : Modèles ED-15F, ED-15SF, ED-30FT Et ED-30SFT	8
8	Dégagements Par Rapport Aux Murs	8
8	Connexion D'alimentation	8
8	Alimentation Electrique	8
8	Avant D'utiliser La Friteuse	8
9	Suggestions D'utilisation	9
9	Commandes	9
9	Dégagements Par Rapport Aux Murs	9
9	Connexion D'alimentation	9
9	Connexions Electriques	9
10	Commandes	10
10	Instructions D'étalonnage	10
10	Rôtissoires –	10
10	Modèles : ED-15B, ED-30B Et ED-42B	10
10	Dégagements Par Rapport Aux Murs	10
10	Connexion D'alimentation	10
10	Connexions Electriques	10
10	Commandes	10
10	Chauffe-plats : Modèles EDU-15W Et ED-15WP	10
10	Dégagements Par Rapport Aux Murs	10
10	Connexion D'alimentation	10
10	Connexions Electriques	10
11	Commandes	11
11	Instructions D'utilisation	11
11	ENTRETIEN ET NETTOYAGE	11
11	Nettoyage Des Finis Extérieurs	11
12	Friteuses	12
12	Plaques Supérieures De Grill	12
12	Apprêtage	12
12	Nettoyage	12
12	Rôtissoire	12
12	Surfaces Des Grilles De La Rôtissoire	12
12	Intérieur De La Rôtissoire Et Sous Les Grilles	12
13	De La Rôtissoire	13
13	Nettoyage Périodique	13

INFORMATIONS IMPORTANTES

AVERTISSEMENT

Ce produit contient des produits chimiques reconnus par l'état de Californie comme causant le cancer et/ou des malformations congénitales ou d'autres problèmes de reproduction. L'installation et l'entretien de ce produit peut vous exposer aux poussières de laine de verre/fibres céramiques. L'inhalation de ces particules de laine de verre ou de fibres céramiques est reconnue par l'état de Californie comme causant le cancer.



MANUEL D'UTILISATION ET D'INSTALLATION UNITÉS ÉLECTRIQUES DE PLAN DE TRAVAIL GARLAND SÉRIE ED



POUR VOTRE SÉCURITÉ: NE PAS STOCKER NI UTILISER D'ESSENCE OU D'AUTRES VAPEURS OU LIQUIDES INFLAMMABLES À PROXIMITÉ DE CET APPAREIL OU DE TOUT AUTRE APPAREIL
AVERTISSEMENT UNE INSTALLATION, DES RÉGLAGES, DES MODIFICATIONS, DES RÉPARATIONS OU UN ENTRETIEN MAL FAITS PEUVENT CAUSER DES DOMMAGES MATÉRIELS, DES BLES- SURES OU LA MORT. LIRE SOIGNEUSE- MENT LES INSTRUCTIONS D'INSTALLATION, D'UTILISATION ET D'ENTRETIEN AVANT D'INSTALLER OU DE RÉPARER L'ÉQUIPEMENT.

LIRE TOUTES LES SECTIONS DU PRÉSENT
MANUEL ET LE CONSERVER POUR S'Y REPORTER
ULTÉRIEUREMENT.
CE PRODUIT A ÉTÉ HOMOLOGUÉ EN TANT
QU'ÉQUIPEMENT PROFESSIONNEL DE CUISSON
ET DOIT ÊTRE INSTALLÉ PAR DU PERSONNEL
PROFESSIONNEL TEL QUE SPÉCIFIÉ.
L'INSTALLATION ET LES CONNEXIONS
DEVONT ÊTRE CONFORMES AUX CODES EN
VIGUEUR: AU CANADA – LE CODE CANADIEN
DE L'ÉLECTRICITÉ, PARTIE 1 ET/OU LES CODES
LOCAUX. AUX É.-U. – LE NATIONAL ELECTRICAL
CODE ANSI / NFPA – ÉDITION EN VIGUEUR.
VÉRIFIER QUE L'ALIMENTATION ÉLECTRIQUE
EST CONFORME AUX CARACTÉRISTIQUES
ÉLECTRIQUES FIGURANT SUR LA PLAQUE
SIGNALÉTIQUE.

L'attention des utilisateurs est attirée sur le fait que l'entretien et les réparations doivent être effectués par un agent d'entretien autorisé par Garland utilisant des pièces de rechange d'origine Garland. Garland n'aura aucune obligation en ce qui concerne n'importe quel produit mal installé, réglé, utilisé ou qui n'aurait pas été entretenu conformément aux codes nationaux et locaux ou aux instructions d'installation fournies avec le produit ou n'importe quel produit dont le numéro de série aurait été mutile, oblitéré ou supprimé ou qui aurait été modifié ou réparé avec des pièces non autorisées ou par des agents d'entretien non autorisés. Pour obtenir la liste des agents de service autorisés, consulter le site web de Garland à : <http://www.garland-group.com>. Les renseignements contenus dans le présent document (y compris la conception et les spécifications des pièces) peuvent être remplacés ou modifiés sans préavis.

GARLAND COMMERCIAL INDUSTRIES, LLC

185 East South Street
Freeland, Pennsylvanie 18224
Téléphone : (570) 636-1000
Télécopieur : (570) 636-3903

GARLAND COMMERCIAL RANGES, LTD.
1177 Kamato Road, Mississauga, Ontario L4W 1X4
CANADA
Téléphone : 905-624-0260
Télécopieur : 905-624-5669