



Gas Stock Pot Ranges



351CPGDSPRN, 351CPGDSPRL, 351CPGSP18N, 351CPGSP18L

REVISED 12/2022

Contents

Safety Precautions	2
Gas Pressure	2
Specifications	3
Diagram	4

Safety Precautions

CAUTION:

- Failure to comply with the following operation instructions could lead to potential hazards and/or unsafe practice and could result in injury and damage to product and property.

NOTICE:

- Local codes regarding installation vary greatly from one area to another. The National Fire Protection Association, Inc., states in its NFPA96 latest edition that Local codes are “Authority Having Jurisdiction” when it comes to requirement for installation of equipment. Therefore, installation should comply with all Local codes.
- This product is intended for commercial use only. Not for residential use. Use in residential applications will void warranty.

WARNING:

- Do not store or use gasoline or other flammable vapors and liquids in the vicinity of this or any other equipment.
- Improper installation, adjustment, alteration, service or maintenance could lead to property damage, injury or death. Read the installation, operating and maintenance instructions thoroughly before installing or servicing CPG equipment. This manual must be retained for future reference.
- A factory authorized agent must handle all maintenance and repair.

Gas Pressure

- The appliance and its individual shutoff valve (to be supplied by user) must be disconnected from the gas supply piping system during any pressure testing of that system at test pressures in excess of ½ PSI (3.45 kPa).
- The appliance must be isolated from the gas supply piping system by closing its individual manual shut-off valve during any pressure testing of the gas supply piping system at test pressures equal to or less than ½ PSI (3.45 kPa).



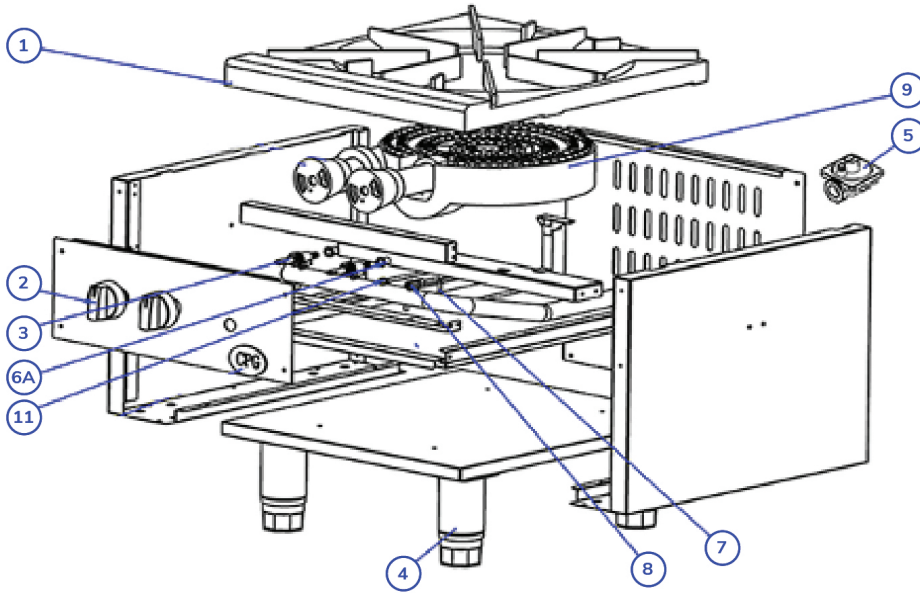
Conforms to ANSI STD Z83.11-2016
Conforms to CSA STD 1.8-2016

Specifications

#	ITEM NUMBER	DESCRIPTION	USAGE	
			351CPGSP18N/L	351CPGDSPRN/L
1	35120302C009	Grate	1	2
2	35120703C009	Knob	2	4
3	N/A	Gas Valve	2	4
4	35121001Q001	Adjustable Foot	4	6
5	N/A	Gas Regulator	1	0
6A	35121102C021	NG Orifice	2	4
6B	35121102C035	LP Orifice	2	4
7	35121101C048	Pilot tube for single	1	0
8	N/A	Pilot valve of single	1	1
9	N/A	Burner	1	2
10	N/A	Pilot valve of double	0	1
11	35121101C046	Front pilot tube for double	0	1
12	35121101C047	Rear pilot tube for double	0	1

Diagram

351CPGSP18N/L



351CPGDSRN/L

