

# ASSEMBLY INSTRUCTIONS

GLASS DISPLAY CASE #20092



\*Photo shown on website is upside down. Lock on top.

	<b>2 PERSON ASSEMBLY RECOMMENDED</b>
	<b>TOOLS REQUIRED:</b> Phillips Screwdriver
	<b>CAUTION:</b> Glass panels are fragile. Handle with care.
Do not overtighten screws.	

**Step 1** - Assemble base, rear panel, and side panels, using front & rear connectors, loosely hand-tightened

**Step 2** - Attach hinges to door panel, then loosely set in place in hole on base

**Step 3** - Loosely, attach top front & rear connectors

**Step 4** - Place top panel onto loosely assembled display while lining up top door hinge with respective mounting point. Tighten all 4 connectors to top panel

**Step 5** - Attach all 8 shelf rests to side panels with rubber mounts inside display. Then add glass shelves

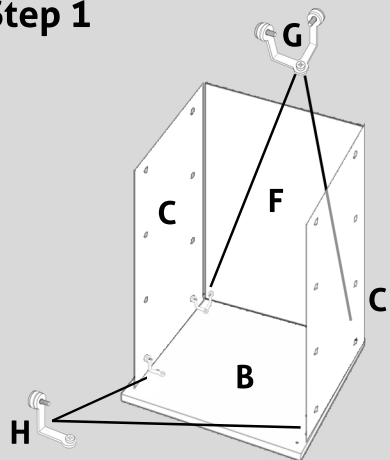
**Step 6** - Screw lock to mounting point on door panel

PARTS LIST									
<b>A</b>	(1x) Top Panel	<b>B</b>	(1x) Bottom Panel	<b>C</b>	(2x) Side Glass Panel	<b>D</b>	(1x) Glass Door Panel		
<b>E</b>	(2x) Glass Shelf Panel	<b>F</b>	(1x) Rear Glass Panel	<b>G</b>	(4x) Rear Corner Connector	<b>H</b>	(4x) (Front) Side Panel Connector		
<b>I</b>	(8x) Metal Shelf Rest	<b>J</b>	(2x) Door Hinges	<b>K</b>	(1x) Door Stop	<b>L</b>	(1x) Lock	<b>M</b>	(2x) Keys

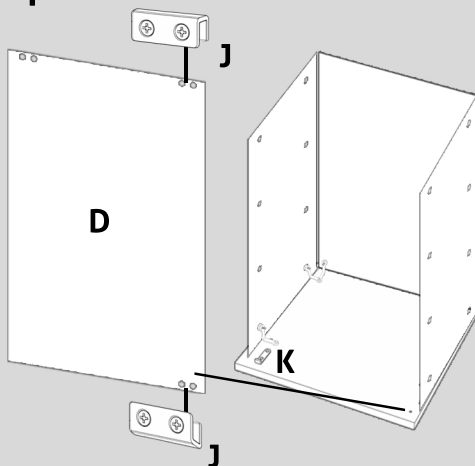
1(800) 999-0771

[customercare@specialtystoreservices.com](mailto:customercare@specialtystoreservices.com)

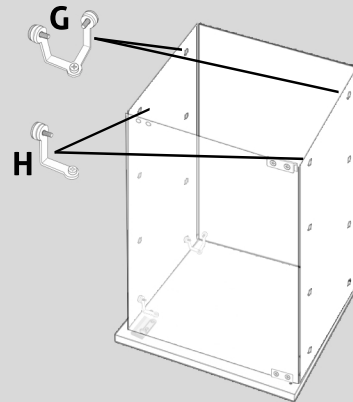
## Step 1



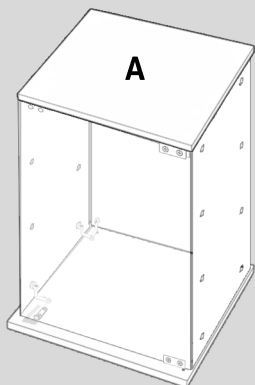
## Step 2



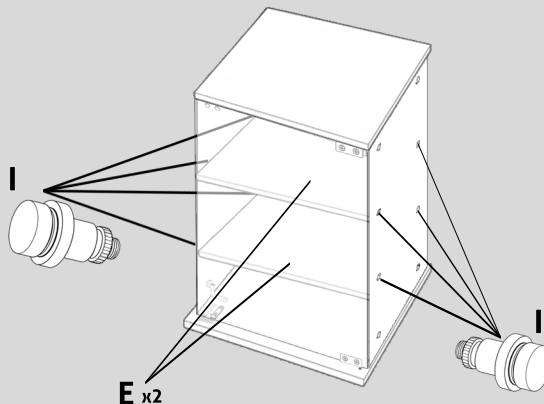
## Step 3



## Step 4



## Step 5



## Step 6

