

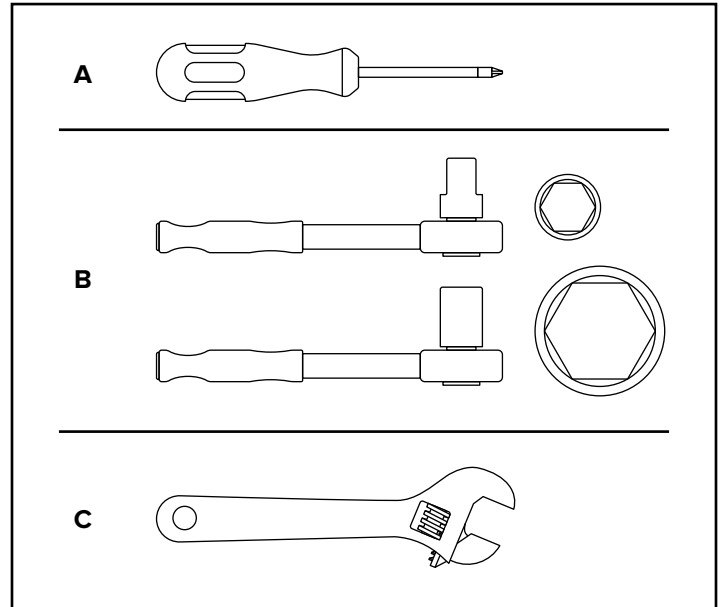
Z Series
Half Door Reach-in Refrigerators and Freezers
178Z1F2A, 178Z1F2AWMS, 178Z1R2A, 178Z1R2AWMS

Door Reversal

Required Tools

(Not included)

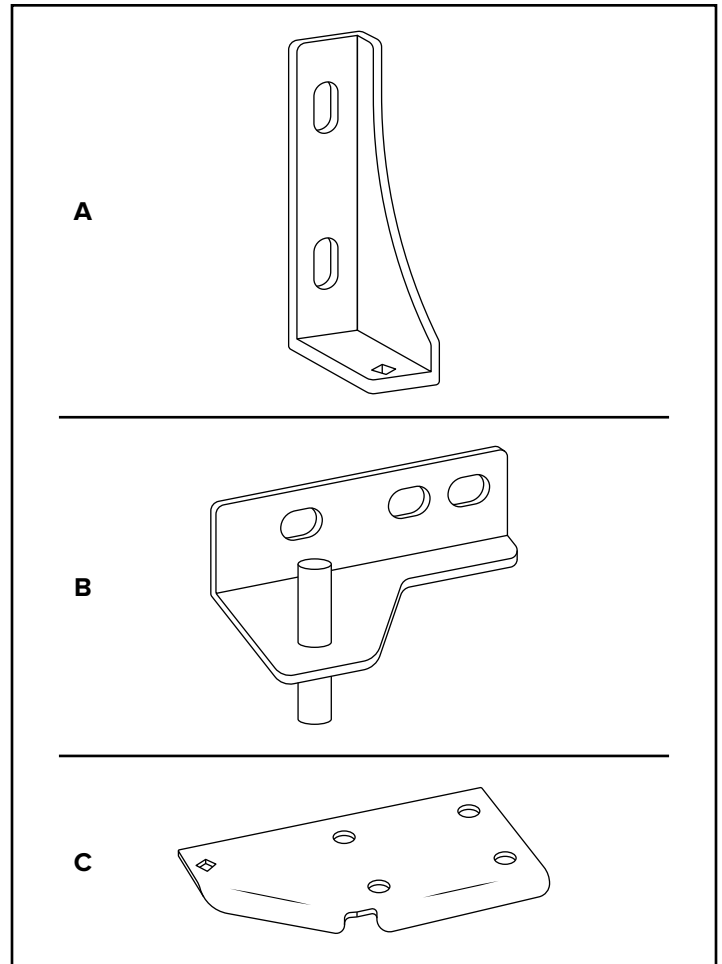
- A. Phillips Head Screwdriver
- B. Ratchet and Socket Set (Metric)
- C. Wrench (Alternative to Sockets)



Reversible Hinge Kit (178ZHDKIT)

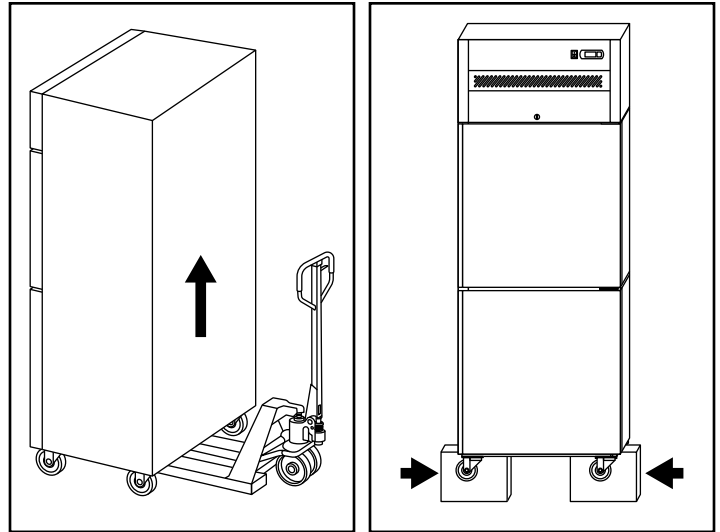
Includes:

- A. Top Hinge Left Bracket (178HINGCFDTL)
- B. Middle Left Hinge Bracket (17812424)
- C. Bottom Left Hinge Bracket (17815322)



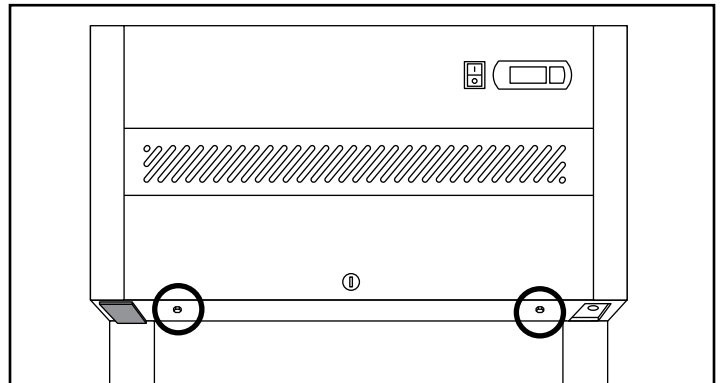
Step 1: Raise Unit Off of Ground

- The unit will need to be off the ground to remove the caster and hinge hardware.
- With help from another person, use a pallet jack or lifting straps to carefully raise the unit off the ground.
- Place blocking or another form of protection under the unit if needed to provide stability and avoid injury or damage to the unit.



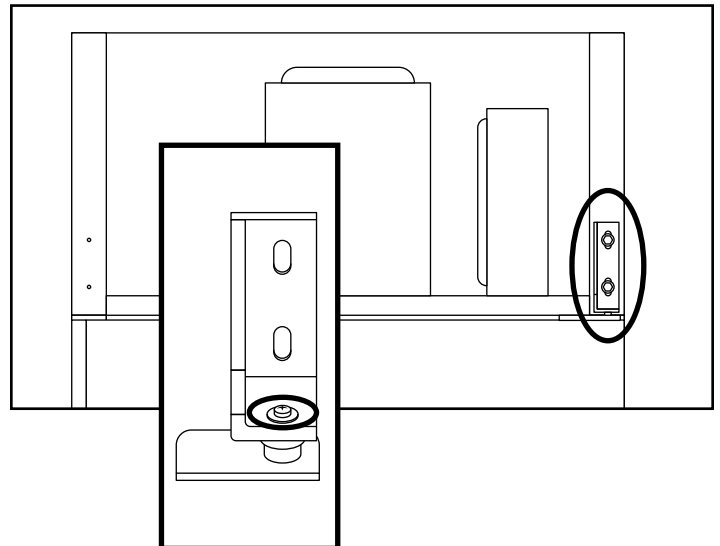
Step 2: Remove Control Panel

- Open the top door to access the control panel bolts.
- Use a ratchet or wrench to remove the two hex head bolts holding the control panel in place.
- After removal, lift the control panel up and out of the way. Support the panel to avoid damage or injuries.



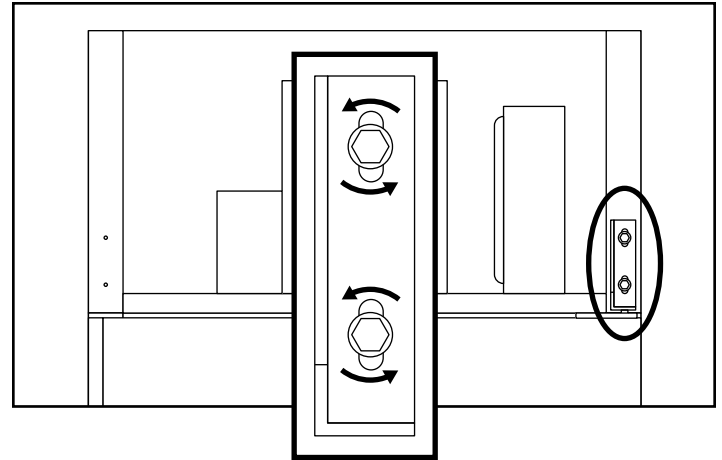
Step 3: Remove Top Door Cartridge Hardware

- Use a Phillips screwdriver to remove the small screw connecting the hinge-mount bracket to the door hinge pin.
- Keep all removed hardware.



Step 4: Remove Top Door Hinge Bolts

- Open the door to 90°. This will keep the door in the tensioned position.
- Use a ratchet or wrench to remove the two hex head bolts from the top mounting hinge.

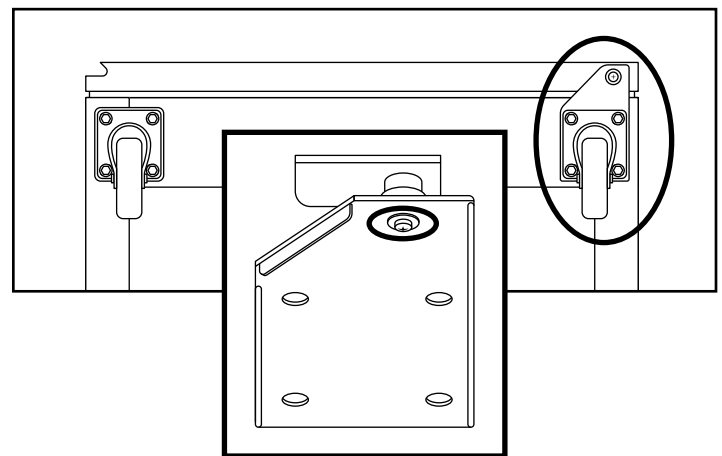


Step 5: Remove Top Door

- Lift the door from the middle bracket and set aside.

Step 6: Remove Bottom Door Cartridge Hardware

- Use a Phillips screwdriver to remove the small screw connecting the hinge-mount bracket to the door hinge pin.
- Keep all removed hardware.

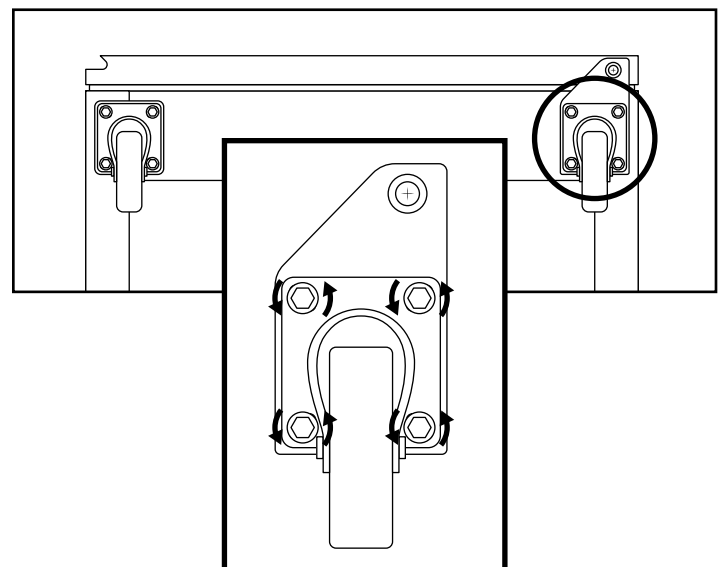


Step 7: Remove Bottom Door Bracket

- Open the door to 90°. This will keep the door in the tensioned position.
- Use a ratchet or wrench to remove the bolts from the bracket and caster assembly.

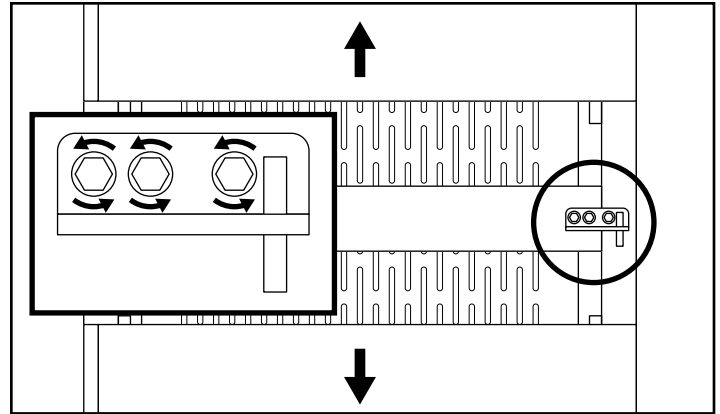
Step 8: Remove Bottom Door

- Pull the door from the middle bracket and set aside.



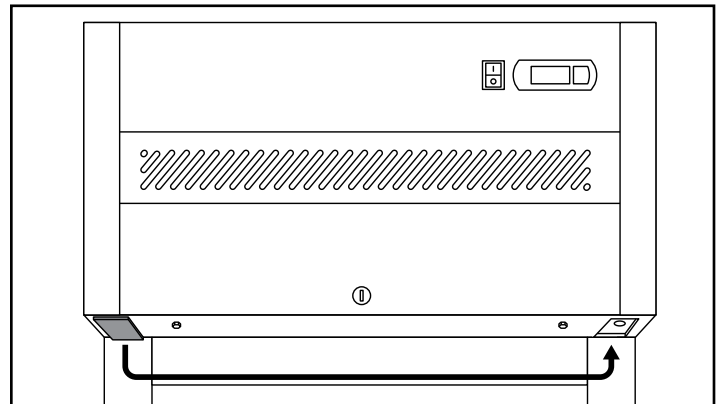
Step 9: Remove Left Half Door Hinge

- Use a ratchet or wrench to remove the three hex head bolts from the left half door hinge middle bracket.



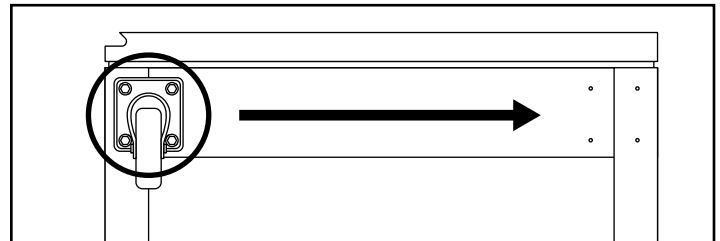
Step 10: Move Plastic Cover and Tab

- Once all doors and existing hardware are removed, move the plastic cover from the left side to the right side by the control panel.



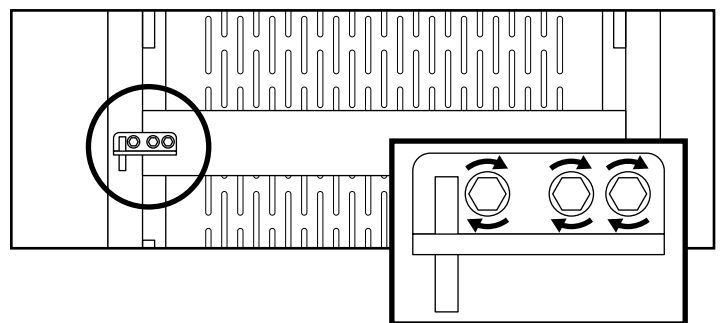
Step 11: Move Left Caster Assembly

- Use a ratchet or wrench to remove the bolts from the left-side caster assembly.
- Install this caster assembly to the right side.



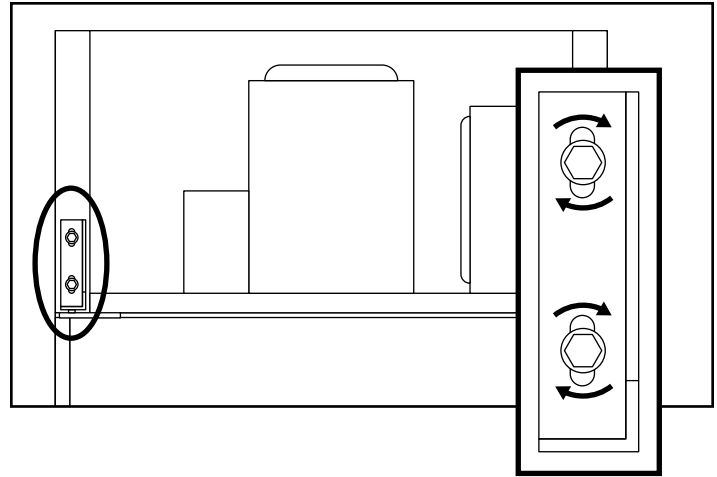
Step 12: Install Middle Left Hinge Bracket

- Locate the 17812424 middle left hinge bracket from the 178ZHDKIT reversible hinge kit.
- Install hinge to the middle of the frame and secure with three hex head bolts.



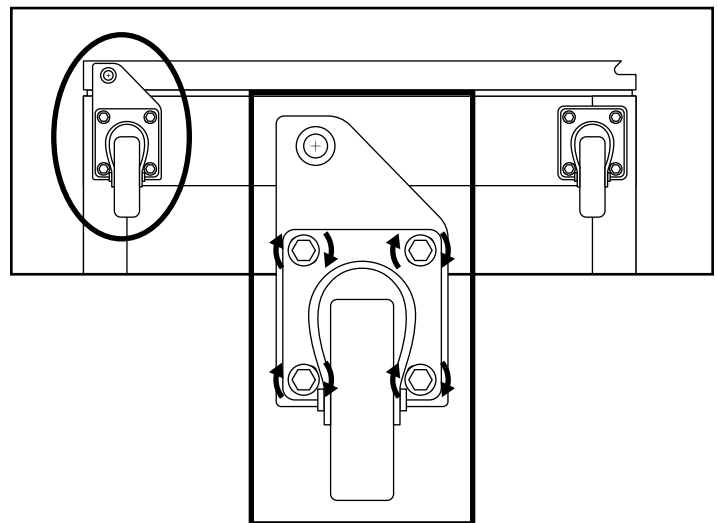
Step 13: Install Top Left Hinge Bracket

- Locate the 178HINGCFDTL top left hinge bracket from the 178ZHDKIT reversible hinge kit.
- Install hinge to the top of the frame and secure with two hex head bolts.



Step 14: Install Bottom Left Hinge Bracket

- Locate the 17815322 bottom left hinge bracket from the 178ZHDKIT reversible hinge kit.
- Install hinge and caster assembly to the bottom of the frame and secure with bolts.



Step 15: Install Bottom Door

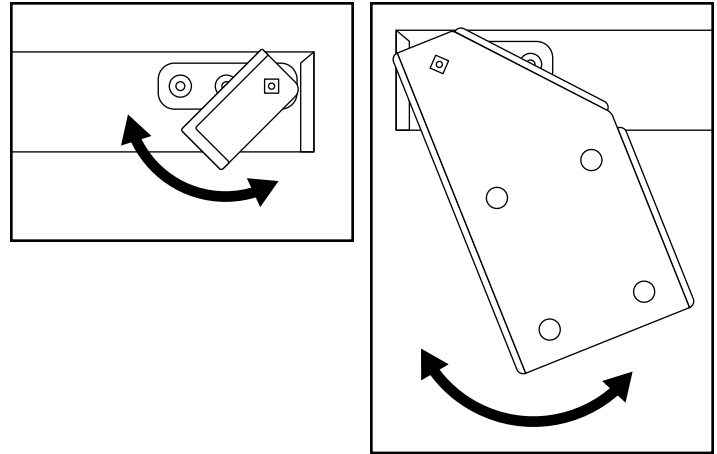
- Install the bottom door in the open 90° position.
- Place the bottom cartridge into the bottom bracket, then insert the middle left hinge into the top hole on the door.
- Verify the door hex pin engages with the bottom bracket.

Step 16: Install Top Door

- Install the door in the open 90° position.
- Place the top cartridge into the top bracket, then insert the middle left hinge into the bottom hole on the door.
- Verify the door hex pin engages with the top bracket.

Step 17: Door Installation Check

- Open and close the doors to ensure both require firm force to rotate.
- If rotation is too easy or the door is not closing, reset the hinge.
- Refer to Step 18: Spring Reset to correct the rotation.

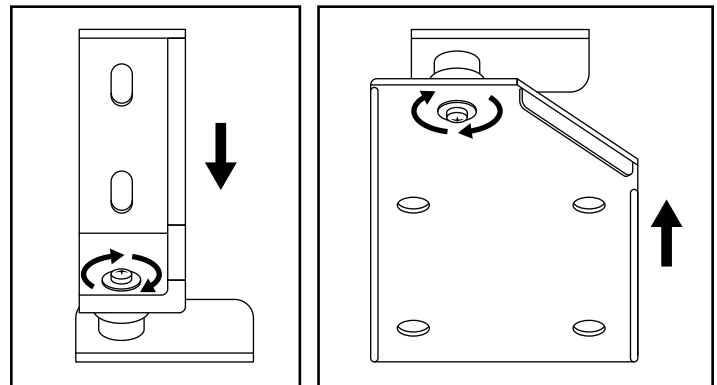


Step 18: Spring Reset (optional)

- The door cartridge requires a stronger return force; firmly grip the hinge to avoid damage or injuries.
- For the top door setting, rotate the cartridge hub counterclockwise until the spring is loose.
- For the bottom door setting, rotate the cartridge hub clockwise until the spring is loose.

Step 19: Install Cartridge Hardware

- Use a Phillips screwdriver to install the small screw connecting the hinge-mount bracket to the door hinge pin on the bottom and top hinges.
- Verify that the washers are installed.



Step 20: Reinstall Control Panel

- Ensure the plastic tab is correctly transferred to the right mounting hole.
- Install the control panel and secure with screws.

