

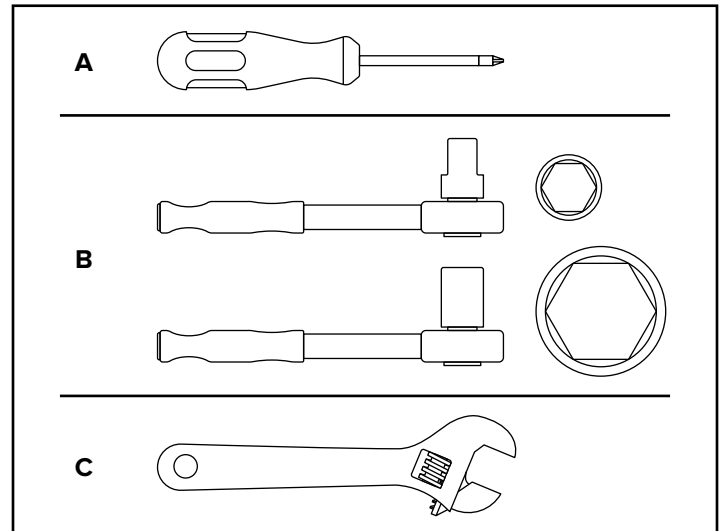
SS Series
Solid Half Door Reach-in Refrigerators and Freezers
178SS1F2HC, 178SS1R2HC

Door Reversal

Required Tools

(Not included)

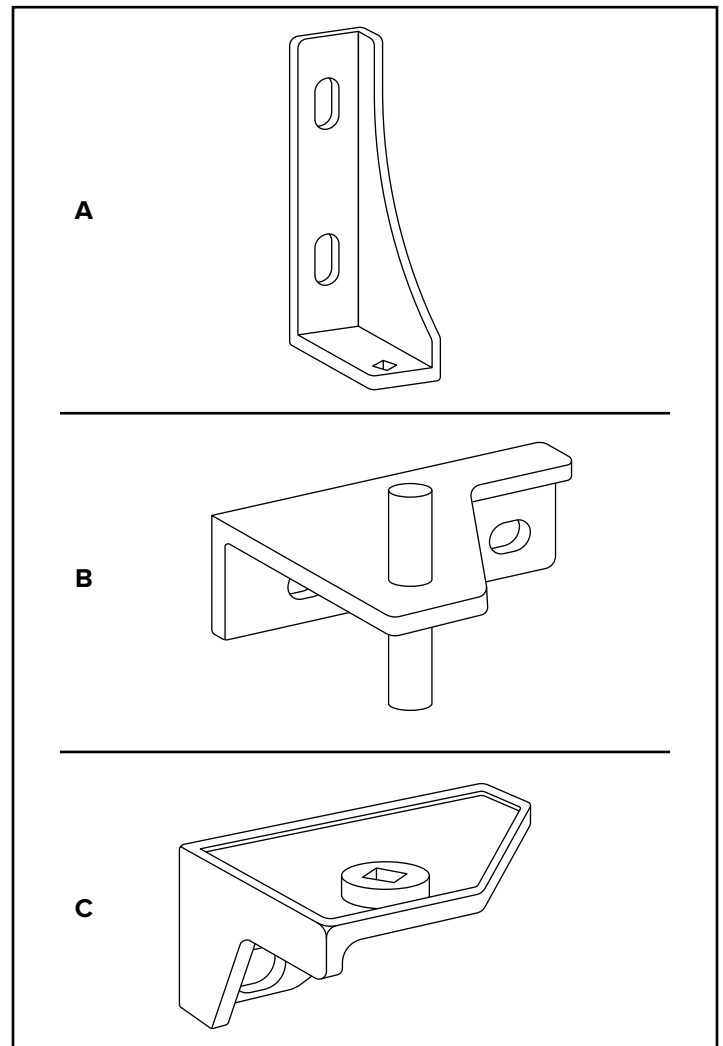
- A.** Phillips Head Screwdriver
- B.** Ratchet and Socket Set (Metric)
- C.** Wrench (Alternative to Sockets)



Reversible Hinge Kit (178SSHDKIT)

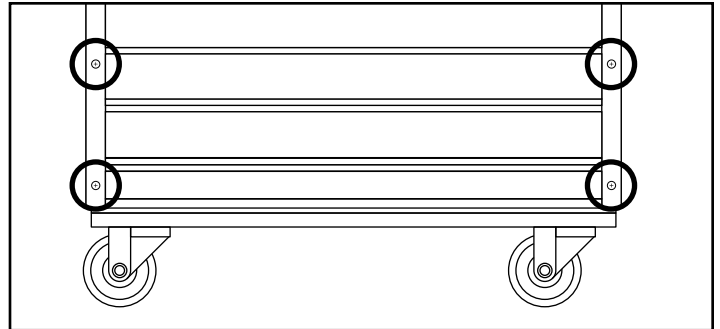
Includes:

- A.** Top Hinge Left Bracket (178HINGCFDTL)
- B.** Middle Left Hinge Bracket (178HINGSSHL)
- C.** Bottom Left Hinge Bracket (178HINGCFDBL)



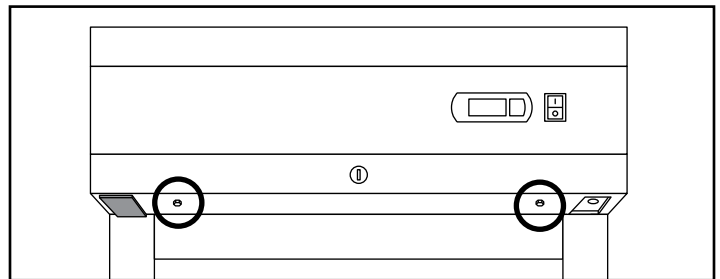
Step 1: Remove Bottom Cover

- Use a Phillips screwdriver to remove the four screws from the front cover. Remove the front cover.



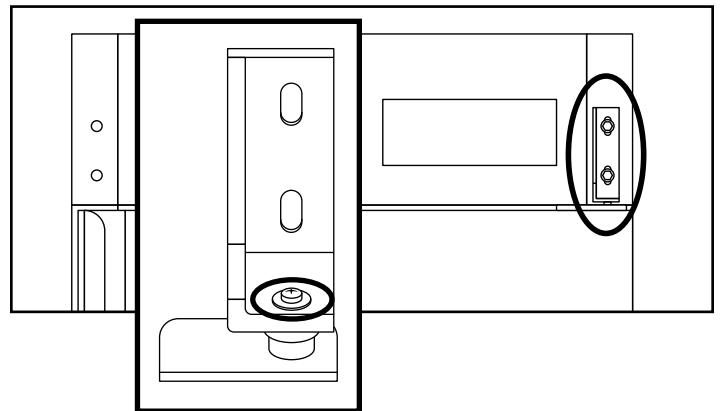
Step 2: Remove Control Panel

- Open the top door to access the control panel bolts.
- Use a ratchet or wrench to remove the two hex head bolts holding the control panel in place.
- After removal, lift the control panel up and out of the way. Support the panel to avoid damage or injuries.



Step 3: Remove Top Door Cartridge Hardware

- Use a Phillips screwdriver to remove the small screw connecting the hinge-mount bracket to the door hinge pin.
- Keep all removed hardware.

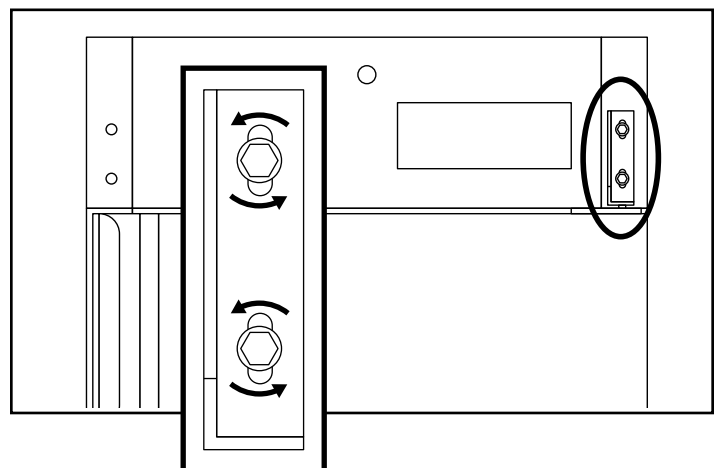


Step 4: Remove Top Door Hinge Bolts

- Open the door to 90°. This will keep the door in the tensioned position.
- Use a ratchet or wrench to remove the two hex head bolts from the top mounting hinge.

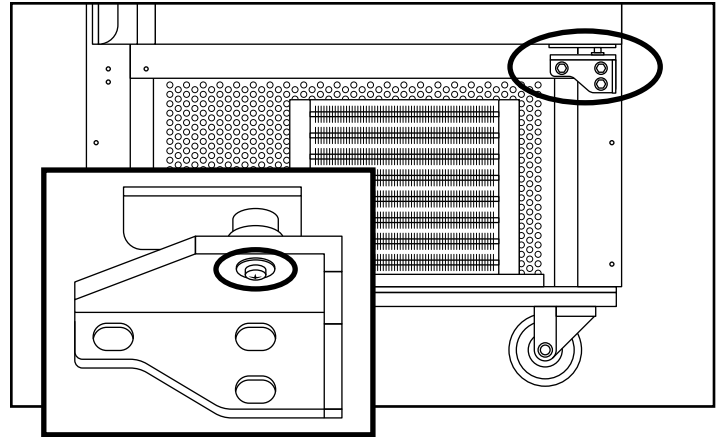
Step 5: Remove Top Door

- Lift the door from the middle bracket and set aside.



Step 6: Remove Bottom Door Cartridge Hardware

- Use a Phillips screwdriver to remove the small screw connecting the hinge-mount bracket to the door hinge pin.
- Keep all removed hardware.

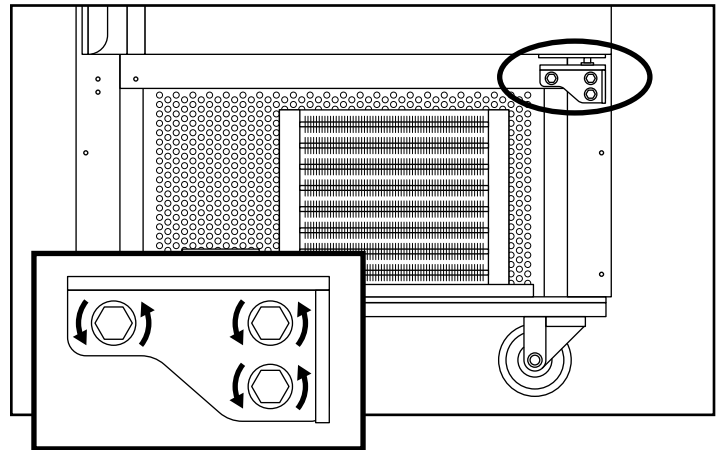


Step 7: Remove Bottom Door Bracket

- Open the door to 90°. This will keep the door in the tensioned position.
- Use a ratchet or wrench to remove the bolts from the bracket and caster assembly.

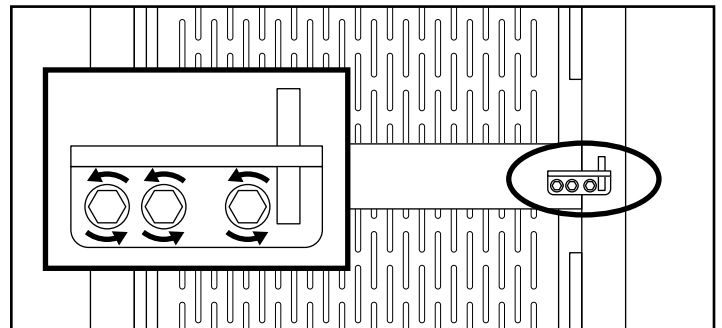
Step 8: Remove Bottom Door

- Pull the door from the middle bracket and set aside.



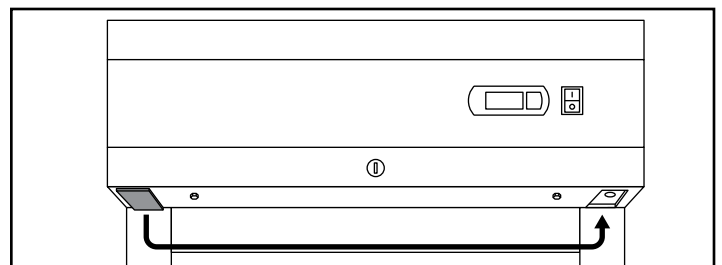
Step 9: Remove Left Half Door Hinge

- Use a ratchet or wrench to remove the three hex head bolts from the left half door hinge middle bracket.



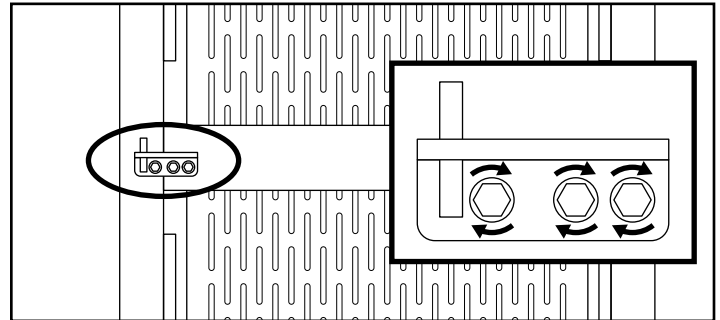
Step 10: Move Plastic Cover and Tab

- Once all doors and existing hardware are removed, move the plastic cover from the left side to the right side by the control panel.



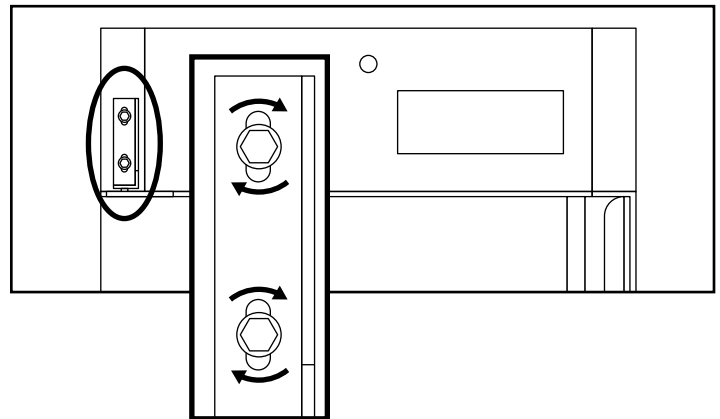
Step 11: Install Middle Left Hinge Bracket

- Locate the 178HINGSSHL middle left hinge from the 178SSHDKIT reversible hinge kit.
- Install hinge to the middle of the frame and secure with three hex head bolts.



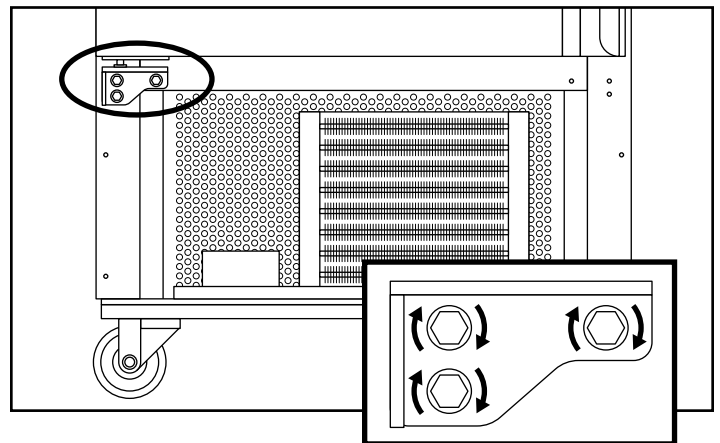
Step 12: Install Top Left Hinge Bracket

- Locate the 178HINGCFDTL top left hinge bracket from the 178SSHDKIT reversible hinge kit.
- Install hinge to the top of the frame and secure with two hex head bolts.



Step 13: Install Bottom Left Hinge Bracket

- Locate the 178HINGCFDBL bottom left hinge bracket from the 178SSHDKIT reversible hinge kit.
- Install hinge to the bottom of the frame and secure with three hex head bolts.



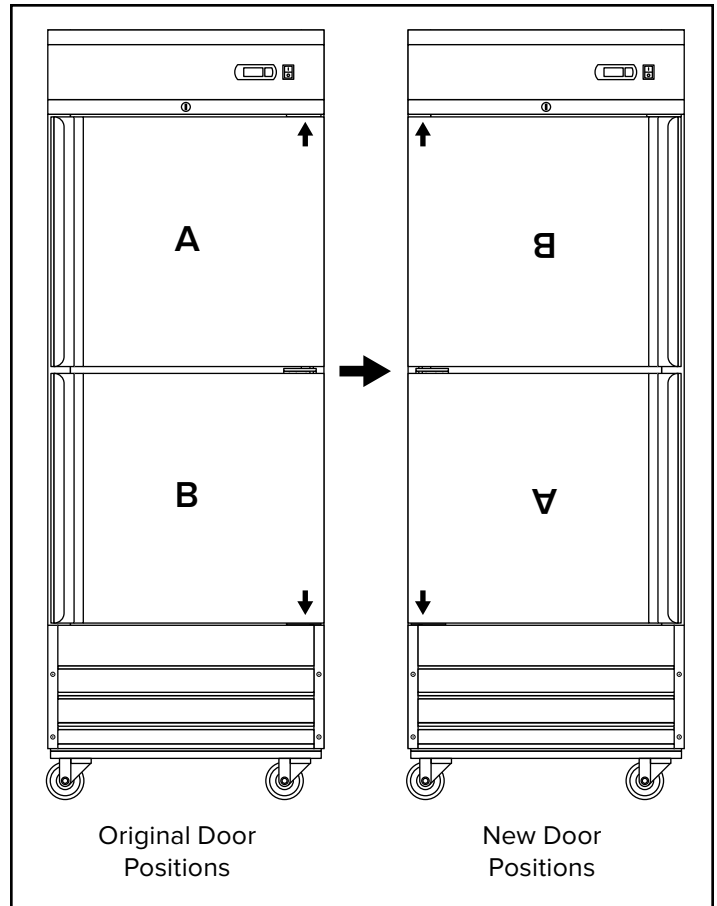
IMPORTANT: The original top door will now be the bottom door. The original bottom door will now be the top door.

Step 14: Install Bottom Door (previously top door)

- Install the bottom door in the open 90° position.
- Place the bottom cartridge into the bottom bracket, then insert the middle left hinge into the top hole on the door.
- Verify the door hex pin engages with the bottom bracket.

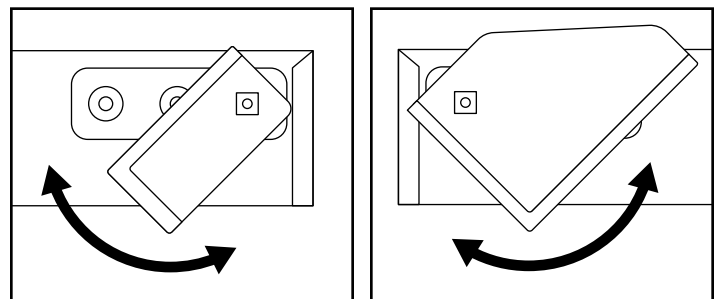
Step 15: Install Top Door (previously bottom door)

- Install the door in the open 90° position.
- Place the top cartridge into the top bracket, then insert the middle left hinge into the bottom hole on the door.
- Verify the door hex pin engages with the top bracket.



Step 16: Door Installation Check

- Open and close the doors to ensure both require firm force to rotate. If rotation is too easy or the door is not closing, reset the hinge. Refer to Step 17: Spring Reset to correct the rotation.

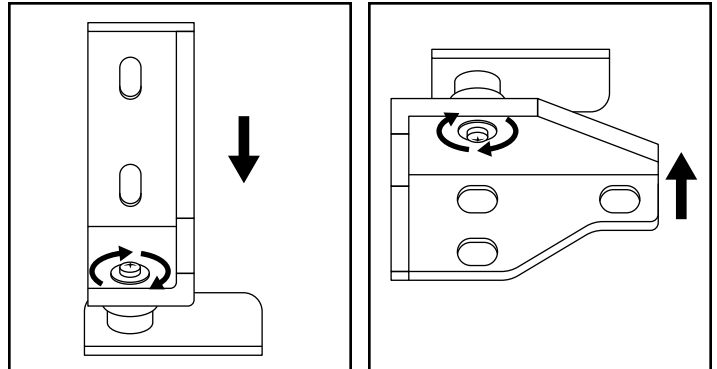


Step 17: Spring Reset (optional)

- The door cartridge requires a stronger return force; firmly grip the hinge to avoid damage or injuries.
- For the top door setting, rotate the cartridge hub counterclockwise until the spring is loose.
- For the bottom door setting, rotate the cartridge hub clockwise until the spring is loose.

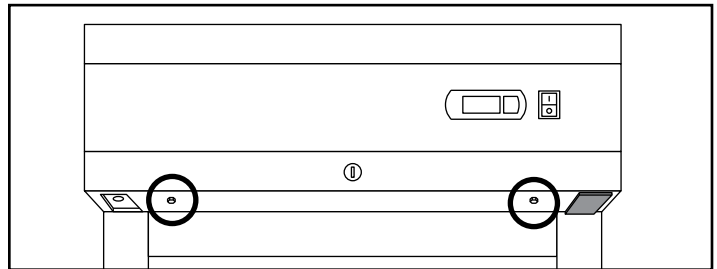
Step 18: Install Cartridge Hardware

- Use a Phillips screwdriver to install the small screw connecting the hinge-mount bracket to the door hinge pin on the bottom and top hinges.
- Verify that the washers are installed.



Step 19: Reinstall Control Panel

- Confirm that the plastic tab is mounted in the right-side mounting hole.
- Install the control panel and secure with screws.
- Verify that the control panel is flush and seated.



Step 20: Reinstall Front Cover

- Install the front cover and secure with screws.

