



Electric Rice Cooker/Warmers with Sealed Lids

(Includes Large 25 oz. Rice Cup & 10½" Slotted Rice Paddle)

Models:

177RCSA40 • 40 Cup (20 Cup Raw), 177RCSA60 • 60 Cup (30 Cup Raw)

Please read and save these instructions for future reference. Indoor use only.

NOTE: Save these instructions for future reference.

Index

Specifications..... 2

Important Safeguards 2

Cautions..... 3

Parts Identification 4

How to Use 5

Using an Extension Cord 6

Maintenance Guide 6

Unique Features 7

Cleaning..... 7

Suggestions..... 7

Warranty..... 8

Specifications



Model	177RCSA40	177RCSA60
Voltage	120V	120V
Wattage	1550W	1550W
Capacity (Raw)	20 Cups	30 Cups
Capacity (Cooked)	40 Cups	60 Cups
Weight	16 lb.	8.49 lb.
Width	16 $\frac{1}{8}$ "	18"
Depth	14"	15 $\frac{1}{2}$ "
Height	13 $\frac{3}{16}$ "	15 $\frac{7}{16}$ "

Important Safeguards

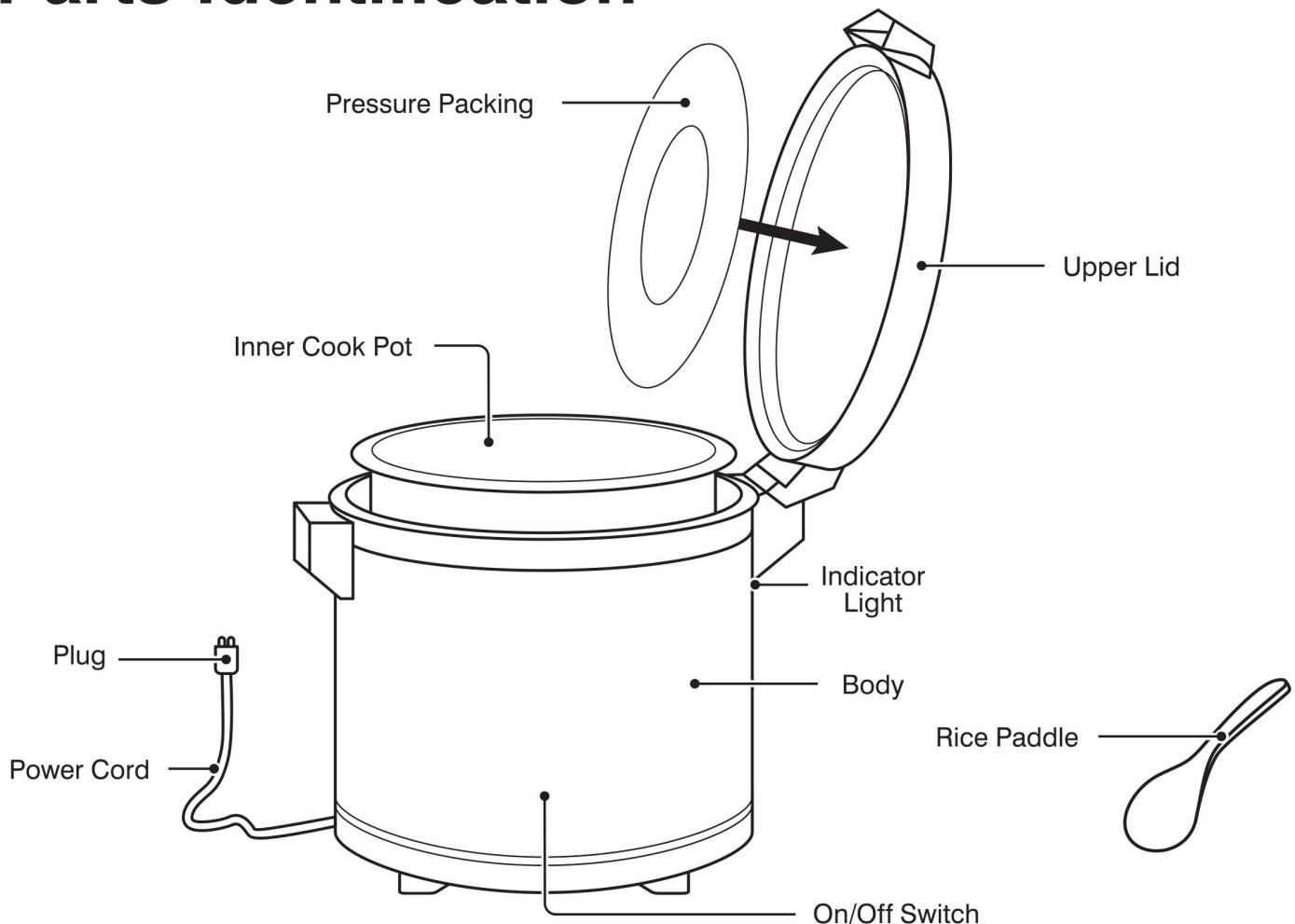
1. Read all instructions carefully before using the appliance for the first time.
2. Do not touch hot surfaces. Use handles.
3. To prevent electric hazards, do not immerse cord, plug, or rice cooker heating plate in water or other liquid.
4. Close supervision is necessary when children are present.
5. Before plugging in power cord, ensure voltage rating of outlet is suitable for the equipment.
6. Unplug appliance from wall outlet when not in use and before cleaning. Allow appliance to cool completely before putting on or taking off pot.
7. Do not operate appliance if cord has been damaged, or if appliance malfunctions or suffers serious damage.
8. Never put water or any liquid into the outer pot. Water should be placed only in the inner pot.
9. Do not heat cooking pot on any other stove.
10. Never plug in the power cord without the inner pot inside the cooker.
11. Only use the inner pot provided.
12. The burn-proof pad should be placed on the inner pot. Do not put it on top of the electric heat plate, otherwise it will cause damage to this cooker.
13. Do not let cord hang over edge of table or counter, or allow it to touch hot surfaces.
14. Do not place appliance on or near gas or electric burner, or in heated oven.
15. Use extreme caution when moving appliances containing hot oil or other hot liquids.
16. Always plug cord into a wall outlet. To disconnect, remove by plug, not cord.
17. Always place the unit on a flat, level surface.
18. Rice cooker should be stored and operated away from high temperatures.
19. Do not block the steam vent on the top of the lid.
20. Make sure the cover is properly locked when cooking.
21. Do not connect or disconnect the power cord with wet hands.
22. Never place the unit into your refrigerator or freezer.
23. Do not use this appliance for anything other than its intended use.
24. Do not use abrasive sponges and scrubbers that could scratch surface.
25. **CAUTION:** Risk of fire or burn hazard. Do not store combustible material in container. To reduce the risk of electric shock, cook only in removable container. Risk of fire or electric shock. Only operate this appliance with the removable container in place.
26. **WARNING:** To reduce the risk of electric shock, do not remove or open bottom cover. No user-serviceable parts inside. Refer servicing to qualified personnel.
27. Any maintenance servicing should be performed by an authorized service representative.
28. **FOR COMMERCIAL & INDOOR USE ONLY.**

Cautions

1. Use only an electrical outlet with proper voltage.
2. Plug the unit directly into the electrical outlet. A short power cord is provided to reduce tripping hazards.
3. Do not dent the bottom of the inner pot as it could damage or affect warming.
4. If there is still some uncooked rice in the pot after the cooking cycle is complete, the unit may have been overloaded. Try putting in less rice next time.

NOTE: Only use the inner pot provided. Using other brands may cause damage.

Parts Identification



How to Use

NOTE: 1 cup raw rice yields approx. 2 cups of cooked rice.

1. First, rinse the raw rice in another container until the water runs clear.
2. Before putting anything in the inner pot, please read the cautions carefully and observe the following instructions:
 - a. Wipe away any water outside the inner pot, then place the inner pot inside the cooker.
 - b. Turn the inner pot left and right to make sure the inner pot is placed above the heating plate properly.

3. Add in proper amount of raw rice to the pot:

Please use included measuring cup to measure the rice. One large 25 oz. measuring cup is included with this cooker and will hold 4 standard 6 oz. cups of rice. Follow the lines on the cup for exact measurements.

For example: for 20 cups of rice, add 5 full measuring cups of raw rice to the pot.

NOTE: This measuring cup is 4 times the size of a standard 6 oz. rice cooker measuring cup

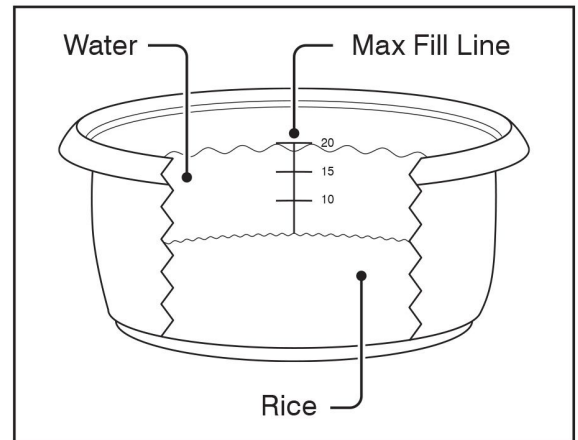
4. Add in the proper amount of water to the pot:
Fill the pot with water to the proper graduation mark or follow the 1 cup rice to 1 cup water rule (approximate) and adjust to taste.

For example: for 20 cups of rice, add water on top of 20 cups of rice up to the 20 cups graduation mark indicated on the water ruler on the inner pot.

NOTE: Water amount may need to be adjusted according to different types of rice.

Generally, 1 cup of rice requires 1 cup of water

5. Firmly close and latch the lid.
6. Plug the power cord into the power outlet.
7. Press the cook switch down, you will see the “cook” indicator light go on.
8. After the rice has finished cooking, the unit will automatically switch to its warming mode.
Wait 15 minutes before removing the cover to allow the steam to continue cooking the rice.
9. Stir rice before serving.
10. When finished, turn the switch to OFF, and unplug the unit.



Using an Extension Cord

A short power cord is provided to reduce tripping hazards. Longer extension cords are available and may be used if care is exercised in their use. If an extension cord is used, please follow these instructions:

1. The marked electrical rating of the extension cord should be equal to or greater than the cooker's (15A or over).
2. Only use an extension cord that is grounded (for countries where applicable).
3. Arrange extension cord so that it does not hang from cooking surface, counter, or table.
4. Place the extension cord where it cannot be pulled on by children or tripped over accidentally.

Maintenance Guide

1. Unplug the plug from the wall socket before cleaning. Wait until unit is cold to clean.
2. Clean the outside of the rice cooker with a damp cloth. And then clean the outside of the rice cooker with a dry cloth again.
3. Clean the inner pot with a rubber or foam sponge. **Do not use a rough cleaning tool as it will damage the nonstick coating.**
4. Unplug the water reservoir and dispose of the water contained therein.
5. Clean the heater pieces with a damp cloth. And then clean the heater pieces with a dry cloth again.

Unique Features

EASY ONE TOUCH OPERATION: A simple push-button/ON-OFF control switch assures ease of operation.

AUTOMATIC SHUT-OFF AND WARMING FUNCTIONS: When the rice is cooked, the rice cooker shuts off the switches automatically to the warm function.

Cleaning

1. Un-plug the power cord from the wall before cleaning.
2. DO NOT immerse any part of the outer body into water. Wipe clean with a dish cloth.
3. To clean the cooking pot, soak in hot sudsy water then gently clean the bottom of the cooking pot with a dish cloth. BE CAREFUL not to press down too hard, or drop anything on the bottom of the cooking pot, as this can cause warping and inhibit the proper functioning of the rice cooker.
4. Wipe the cooker body and cooking pot dry before storing.

Suggestions

For Best Results:

1. When washing rice, use warm water and wash lightly. Do not scrub with force. Pour out the water quickly, and repeat the process 2 to 3 times until the rice is clear.
2. After the rice is washed, it should be immersed in water for 30-60 minutes before cooking.
3. The amount of water needed will depend on the type and quality of the rice. Generally, 1 cup of rice requires 1 cup of water.
4. For best results, do not warm rice for more than 12 hours.

Equipment Limited Warranty

Avantco warrants its equipment to be free from defects in material and workmanship for a period of 1 year. This is the sole and exclusive warranty made by Avantco covering your Avantco brand equipment. A claim under this warranty must be made within **1 year** from the **date of purchase** of the equipment. Only the equipment's original purchaser may make a claim under this warranty. Avantco reserves the right to approve or deny the repair or replacement of any part or repair request. The warranty is not transferable. Avantco Equipment installed in/on a food truck or trailer will be limited to a period of **30 days** from the original date of purchase.

To Make a Warranty Claim:

For Warranty Inquiries contact the location where you purchased the product:

- **WebstaurantStore.com:** Contact help@webstaurantstore.com. Please have your order number ready.
- **The Restaurant Store:** If you purchased this unit from your local store, please contact your store directly.
- **TheRestaurantStore.com:** Online purchases, call 717-392-7261. Please have your order number ready.

Failure to contact the designated location prior to obtaining equipment service may void your warranty.

Avantco makes no other warranties, express or implied, statutory or otherwise, and **HEREBY DISCLAIMS ALL IMPLIED WARRANTIES, INCLUDING THE IMPLIED WARRANTIES OF MERCHANTABILITY AND OF FITNESS FOR A PARTICULAR PURPOSE.**

This Limited Warranty does not cover:

- Equipment sold or used outside the Continental United States
- Use of unfiltered water (if applicable)
- Avantco has the sole discretion on wearable parts not covered under warranty
- Equipment not purchased directly from an authorized dealer
- Equipment used for residential or other non-commercial purposes
- Equipment that has been altered, modified, or repaired by anyone other than an authorized service agency
- Equipment where the serial number plate has been removed or altered.
- Damage or failure due to improper installation, improper utility connection or supply, and issues resulting from improper ventilation or airflow.
- Defects and damage due to improper maintenance, wear and tear, misuse, abuse, vandalism, or Act of God.

Any action for breach of this warranty must be commenced within 1 year of the date on which the breach occurred. No modification of this warranty, or waiver of its terms, shall be effective unless approved in a writing signed by the parties. The laws of the Commonwealth of Pennsylvania shall govern this warranty and the parties' rights and duties under it. Avantco shall not under any circumstances be liable for incidental or consequential damages of any kind, including but not limited to loss of profits.