



65" Electric Meat & Bone Saw



04/2019

Models: 177EMBS65SS

Please read and keep these instructions. Indoor use only.



WARNING

The warnings, cautions, and instructions discussed in this instruction manual cannot cover all possible conditions or situations that could occur. It must be understood by the operator that common sense and caution are factors that cannot be built into this product, but must be supplied by the operator.

General Safety Regulations

Please use this machine according to these cautions. The user should understand all rules. Please carefully read them before you operate the machine. This machine may cause harm to the health of the operator if the user removes or changes equipment in the machine.

We are not responsible for any injuries resulting from improper operation of this machine. Please operate according to "Operation Method" instructions and follow the proper operation procedures while using. Take care while assembling and operating, in order to avoid scratching skin. Please avoid putting hands around the saw blade to prevent any possible injuries. Please read the instruction manual.

- Keep all loose clothing, away from moving parts when the saw is in use.
- Keep fingers and hair away from moving parts when saw is in use.
- Turn the unit off before unplugging it from the outlet.
- Always unplug it when changing a part on the saw.
- Unplug when assembling or disassembling the unit.
- Always provide supervision when this appliance is being used near children.
- Do not disassemble the saw during operation.
- Avoid contact with moving parts.
- Do not use the saw if the power cord is broken.
- To protect against risk of electrical shock, do not put any electrical components, such as the motor or cord, in water or other liquids.
- Unplug this unit from the outlet before putting on or taking off parts, and before cleaning.
- Do not use fingers to scrape food away from the discharge disc while the appliance is operating. A cut type injury may result.
- Do not operate your appliance if it has a damaged cord or plug, after it malfunctions, or if it is dropped and damaged in any manner.
- The use of attachments not recommended or sold by the manufacturer may cause fire, electric shock, or injury.
- Do not use outdoors.
- Do not let the cord hang over edge of table or counter.
- SAVE THESE INSTRUCTIONS.

Technical Details

Item	Power	Electric Source	Saw Length	Work Table Size
177EMBS65SS	750W, 1 HP	110V/60Hz	65"	17.2" x 18.31"

Installation

1. Remove the machine from its packaging and be sure to put it on a grounded, level, and even surface while assembling or disassembling.
2. If your surface is not steady and even, adjust the rubber feet accordingly.
3. Please carefully check that the voltage and power are the same as the label. Check if it is single phase or three phase, and whether you need to use the earthing wire.
4. Please check that the power line is long enough to connect to the socket and that you are satisfied by the work arrangement.
5. Once you or any other user opens the machine, please install the saw belt on the top and bottom block. It must be parallel with the edge on the the block for optimal use.
6. When you've finished installing the belt, close the machine's door. Then please connect the unit with the electric line, turn on the green switch, and check that the machine works.
7. When you are ready to stop the machine, turn off the red switch and it will stop at once.

Please attention to these details:

1. The machine will run clockwise if it is running correctly.
2. If the machine belt needs adjusted, please use the handle on top and adjust the belt until the machine makes a slicing sound. When you hear that sound it means the bone saw belt has the correct amount of tension in its position and you can proceed to use the machine.

Using Condition

1. This machine is to be used for cutting fresh meat and bones. If you want to cut frozen meat and bones, the right saw blade should be chosen.
2. This machine should be operated according to this manual.
3. The service life of your saw blade depends on what you're using it to cut and the pressure. Usually it has a standard use for 2000 lb to 4400 lb, but if you're using the machine for sawing meat without the bone, the blade will have a longer lifespan. The undular saw blade can be used to cut fresh meat in order to have a longer lasting use. And you can turn over the saw blade and use the other side of the blade as well.
4. Please read the manual to completion and then operate according to the instructions. If the door of the machine is open, if there is no security push device, or if you're missing a saw blade protection device, please stop using the machine immediately.

IF YOU USE AND EXTENSION CORD, MAKE SURE TO USE ONLY UL APPROVED CORDS WITH THE CORRECT GAUGE AND LENGTH.

Nameplate Amperes	Extension Cord Length					
	25'	50'	75'	100'	150'	200'
0-5	16	16	16	14	12	12
5.1-8	16	16	14	12	19	-
8.1-12	14	14	12	10	-	-
12.1-15	12	12	10	10	-	-
15.1-20	10	10	10	-	-	-

Operation Instructions

To operate, make sure all appropriate doors, covers, and guards are closed. Then take meat and use the pusher plate to move meat through the band safely. Push the meat through the saw blade with the handle along the pusher plate to cut it into pieces. Then catch the meat you want on the other side. If you have a small amount of meat, then make sure the saw blade is transitioned correctly to cut the size and amount. If something isn't working right, stop immediately. Also be sure to NOT take the meat through with your hand directly.

Pay attention to the process in order to protect users from harm and the machine from damage. While the machine is working, do NOT change the cutting direction, as this may cause breakage of the blade. Additionally, this could hurt the user and the wheel may skid with the belt causing further harm. At all times, put the meat needing cut on the suitable surface and cut the meat portion before the bone part.

Additional Notices:

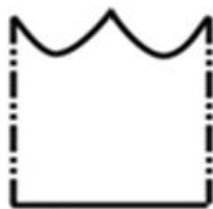
1. When installing, pay attention to the direction. The sawtooth blade needs to go down the right way.
2. The scrap must be pinned to the saw blade. It is not to touch with the saw tine or it will increase the noise of the machine and reduce the saw life.
3. When the bone saw is not in use, the handle will have two circles with the bone saw on top.
4. If you open the door of the machine, the machine will stop by itself. However the saw blades are still sharp, so please do not touch the saw. It is still a risk for users to get cut.
5. While using this machine, we advise that you wear a cut-resistant glove on your hand.
6. Please do not use the saw and take meat directly from the machine without any protection. Especially when working with smaller meat, such as pig hooves. If users do that, the saw blade can cause injury to fingers. Even while using a protective glove, always be careful and use caution around the blade.

Replace Saw Blade

When you replace the saw blade, be sure to loosen the blade by turning the handle anticlockwise. When installing the new blade, please attention to the direction (refer to the key notice #1 above). Otherwise the saw blade will break off from the machine.

Please make sure that the saw blade and slicer are installed between the top wheel and bottom pulley / middle plate, and that it passes through the guide groove. The tension knob should be turned to the point that the loosened wheel can make a slicing sound. This sound means the blade has the correct amount of tension. Be sure to match the right saw blade to the type of food you are cutting.

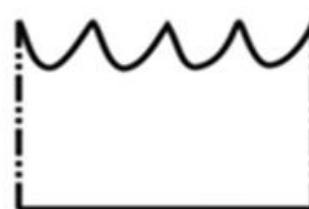
Please see the following figure:



2TPI
Boneless Meat



3TPI
General Use



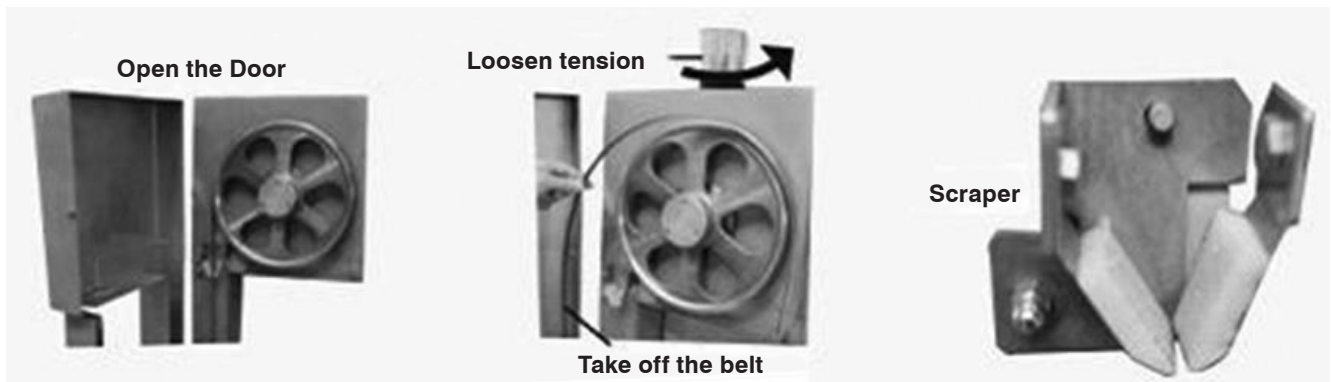
4TPI
Frozen Meat/General Use

Adjust Saw Blade

1. In order to make the machine work better, the blade edge must be kept in line with the round wheel.
2. If the machine is not in line, remove the blade and then adjust the slope knob.
3. You'll find when you tighten the knob at the same time that you're adjusting the saw blade, the blade will move backwards. Oppositely, when the knob is loosened, the blade will move forward.
4. You can only operate the machine after loosening the knob by tightening the knob up again. Doing so ensures the blade is installed properly and that it can't fall off. When you go to adjust the slope knob, please turn the wheel by hand.
5. After replacing the saw blade, check that the blade can run normally before continuing use of the machine.

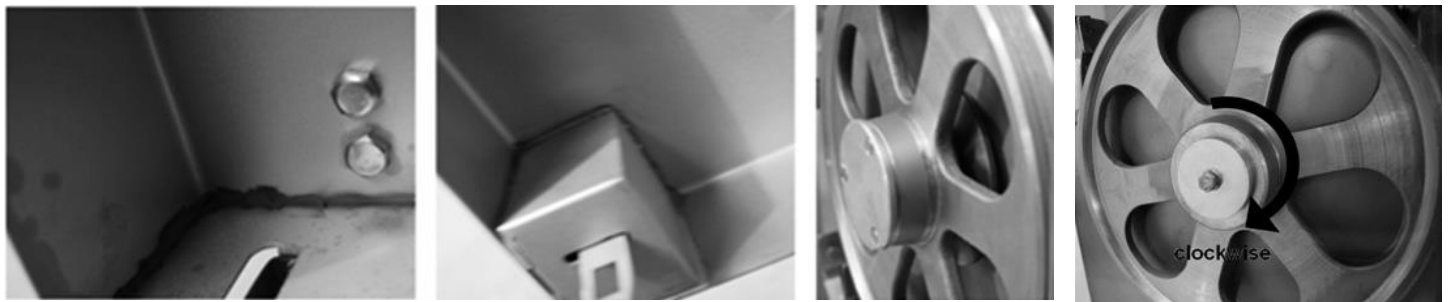
Cleaning

Please take off the plug, before cleaning the machine. Open the door of machine, loosen the tension, and take off the saw blade. Loosen the scraper protection knob, just enough to take off scraper. It's best to clean the machine with hot water and a hard brush.



You can also use hot water to scour and wash the main parts, belt, and protective device. Afterwards, wipe off all water from the machine with a dry cloth.

Pay attention to cleaning the dead angle, wheel, and chain wheel bottom parts.

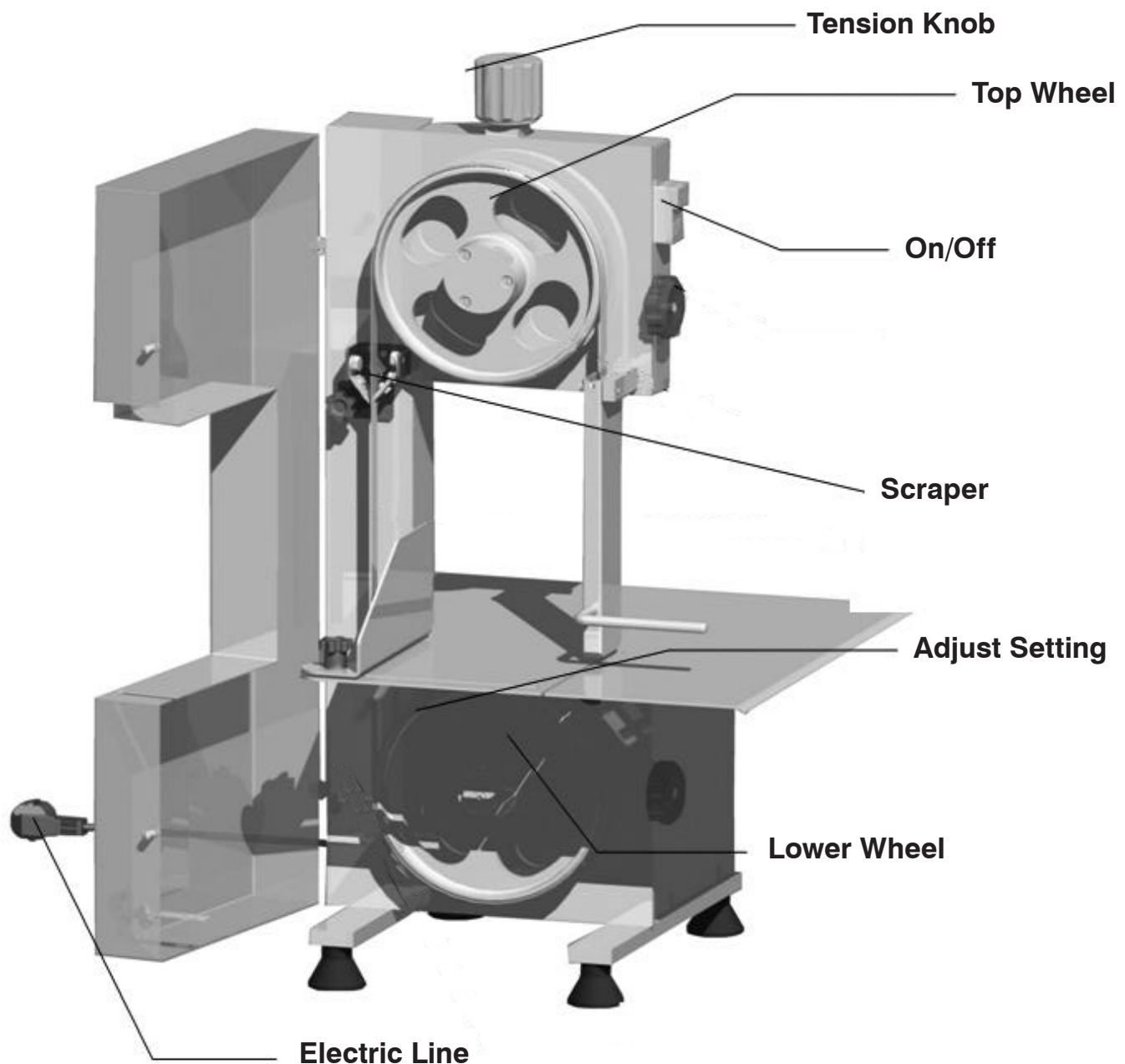


Maintenance

After working for 200 hours, it's best to put lube oil on the guide apparatus where you tighten the device. To do so, take off the tightening device, oil the spring, and thread the line. It's suggested to change the wheel bearing after using the machine for 5000 hours.

Voice class

The highest of voice class is 70 dB (a)



Exploded and Parts List

PART NO.	DESCRIPTION	QTY.	PART NO.	DESCRIPTION	QTY.
1	Housing of Motor	1	31	Rotating Shaft Seat	1
2	Screw	1	32	Hand Wheel Screw	1
3	Big Flat Washer	1	33	U-Handle	1
4	Rubber Insert	1	34	Box	1
5	Screw Rod	1	35	Holding Plate	1
6	Back Cover	1	36	Bent Plate	1
7	Motor	1	37	Belt Wheel (2)	1
8	Guide Plate	2	38	Groove Protect Seat	1
9	Tensioning Slide	1	39	Bottom Sheet Holder	2
10	Top Cover	1	40	Feet	4
11	Locking Nut	1	41	Bottom Sheet	1
12	Press Spring	1	42	Wire and Plug	1
13	Adjust Handle	1	43	Line Card	1
14	Steel Ball	4	44	Electric Box	1
15	Cover	1	45	Housing	1
16	On/Off Switch	4	46	Fixed Plate	1
17	Shaft Collar	1	47	Adjustable Mandrel	1
18	Switch	2	48	Saw Blade Cleaning	1
19	U-Steel	1	49	Meat Scaper Holer	2
20	Guide Axle	1	50	Meat Scaper Board	3
21	Table	1	51	Handle	1
22	Shaft	1	52	Angie Steel	1
23	Small Shaft	1	53	Rotation Shaft	1
24	Belt Wheel (1)	1	54	Angie Steel	1
25	Saw Blade	1	55	Electric-Cut On/Off	1
26	Bearing 6203	2	56	Shaft End Ring	1
27	O Ring	1	57	Bent Plate	1
28	Cover 1	1	58	Meat Scaper Board	3
29	Door	1	59	Cleaning	2
30	Saw Protector	1	60	Cleaning Spring	2

Exploded Diagram

