

Electric Portable Hot Plates



05/2022

Models: 177EB200A, 177EB202SBSA, 177EB202F2BA

Please read and keep these instructions. Indoor use only.

Index

Important Safety Information.....	3
Specifications	4
Installation	4
Operation.....	5
Care and Maintenance.....	5
Troubleshooting	6
Parts Diagram.....	7

Important Safety Information

WARNING!



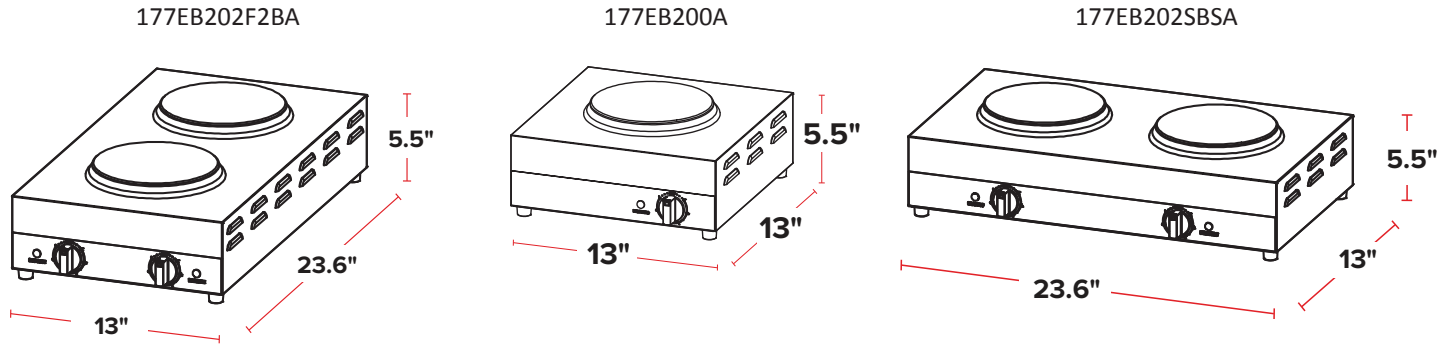
When using electrical appliances, basic safety precautions should always be followed, including the following:

1. Read all instructions carefully and completely.
2. For commercial use only.
3. DO NOT touch hot surfaces.
4. Protect against electrical shock by keeping all cords, plugs, and other electrical components away from water or other liquids.
5. Unplug this unit when not in use and before cleaning.
6. Allow the unit to cool before putting on or taking off parts.
7. DO NOT operate this or any appliance with a damaged electrical cord or plug.
8. DO NOT operate this or any appliance after it has malfunctioned or been damaged in any way.
9. DO NOT use outdoors.
10. DO NOT place on or near a hot gas or electric burner.
11. Attach plug to appliance first, then plug electrical cord into the wall outlet.
12. Disconnect the unit by turning the temperature and timer control to "OFF", then removing the electrical plug from the wall outlet.
13. DO NOT use appliance for any application other than intended use.
14. DO NOT insert metal utensils or oversized foods into this unit as they may cause a fire and heighten the risk of electrical shock.
15. DO NOT store any item on top of this unit when in operation.
16. DO NOT allow this oven to touch or be covered by flammable material, such as curtains, draperies, walls, etc., when in operation.
17. DO NOT clean with metal scouring pads as pieces can break off and touch electrical components, heightening the risk of electrical shock
18. Never place materials such as paper, cardboard, plastic, etc. in this oven.
19. DO NOT cover interior of this unit with metal foil as it may cause the oven to overheat.
20. Avoid scratching the surface or nicking the edges of this unit's tempered, safety glass door. If the oven door has a scratch or nick, contact customer service before use.
21. Turn the appliance off by turning the temperature and timer control to the "OFF" position.
22. Note that the use of accessories not recommended by the manufacturer may result in injury.
23. Children should be supervised to ensure that they DO NOT play with the oven.
24. This appliance is not intended for use by persons (including children) with reduced physical sensory or mental capabilities, or lack of experience and knowledge, unless they have been given supervision or instruction concerning use of the appliance by a person responsible for their safety.
25. When using the appliance in shops, snack bars, hotels etc., check the voltage and outlet to make sure the appliance is correctly connected with power.
26. Place unit on a flat surface that is well ventilated. The appliances must be supervised during operation, DO NOT leave appliance without powering off.

NOTE: SAVE THESE INSTRUCTIONS FOR FUTURE REFERENCE.

Specifications

ITEM	VOLTAGE	WATTAGE	AMPS	PLUG	PRODUCT SIZE	ELEMENT
177EB200A	120V	1,500W	12.5A	5-15P	13"W x 13"D x 5.5"H	Single 7" Coils
177EB202SBSA	120V	1,800W (900W+900W)	15A	5-20P	23.6"W x 13"D x 5.5"H	(2) Side-to-Side 7" Coils
177EB202F2BA	120V	1,800W (900W+900W)	15A	5-20P	13"W x 23.6"D x 5.5"H	(2) Front-to-Back 7" Coils



Installation

CAUTION: This unit should be installed in a non-combustible location only.

CAUTION: The installation must be performed by qualified personnel or the warranty will be void.

1. Unbox the hotplate. Remove the plastic coating from all stainless-steel surfaces.
2. Make sure no parts are discarded with crating and packing material.
3. Always clean the equipment thoroughly before the first use. Checking rating label for your model designation and electrical rating.
4. Install the adjustable legs into the pre-threaded holes in the base of the unit. Unit must be operated with the legs provided.
5. Set the hot plate in the operating location.

Electrical Connections

To avoid a circuit overload when using this product, do not operate other high wattage products on the same electrical circuit. A short power supply cord is provided to reduce the risk of becoming entangled or causing a tripping hazard. Use of an extension cord is not recommended. **WARNING:** This product is equipped with a polarized plug (one blade is wider than the other blade) to reduce the risk of electrical shock. This is a safety feature, as the plug will fit into a polarized outlet only one way. If you are unable to insert the plug into the electrical outlet, try reversing the plug. If the plug still does not fit, contact a qualified electrician. Do not alter the plug or attempt to defeat the safety purpose of the plug.

Operating Instructions

WARNING: The entire product will become extremely hot when in use and will remain hot immediately after use.

1. Ensure the Control Knob(s) is in the “OFF” position, and then place the product on a flat, level, heat-resistant surface.
2. Insert the plug into a standard 120V AC electrical outlet.
3. Place cookware onto the heating element(s), and then adjust the Control Knob to the desired heat level (Lo to Hi). To turn OFF the product, rotate the Control Knob to the “OFF” position and unplug it from the electrical outlet. Always unplug the product when not in use.

WARNING: Do not use a pot/pan that is wider than the burner. 120v models are not designed for saucepots over 4 quarts. They are designed for pan frying, sautéing, or simmering. Not for boiling.



WARNING : This unit is not intended to hold potentially hazardous foods such as uncooked or un-preserved meats and sausages.



Care and Maintenance

WARNING: To avoid electrical shocks or burn hazards, always make sure the product is unplugged from the electrical outlet and allowed to cool completely before cleaning.

NOTICE: Do not attempt to remove the heating element(s). Use a damp cloth/sponge and a mild detergent to clean the product's surfaces, ensuring that no detergent remains on the heating element(s). **WARNING:** Do not immerse the product in liquid or place in a dishwasher.

NOTICE: Do not use abrasive cleaners/pads to clean any part of the product.

Caution: To reduce the risk of fire, the appliance is to be installed in non-combustible surroundings only, with no combustible material within 18 inches of the sides, front, or rear of the appliance or within 40 inches above the appliance.

General Troubleshooting

If the units fails to operate checking the following:

1. Is the unit connected to a live power source?
2. Check circuit breaker?
3. Is power switch on and pilot light glowing?
4. Check the data plate. Are you operating the unit on the proper voltage?

NOTICE: Service work should be performed only by a qualified technician who is experienced in and knowledgeable with the operation of commercial gas, electric, steam cooking equipment.