

3 Gallon Bowl Refrigerated Beverage Dispensers

Model: 177D3G1, 177D3G2, 177D3G3

05/2022

Please read and keep these instructions. Indoor use only.

TABLE OF CONTENTS

SAFETY	1
FEATURES & CONTROLS.....	3
INSTALLATION.....	4
OPERATION.....	5
CLEANING	6
DISPOSAL	6
TROUBLESHOOTING	7
ELECTRICAL DIAGRAM.....	8
PARTS DIAGRAM.....	9

SAFETY

- This instruction manual is an integral part of the machine and must be kept for any further consultation.
- This machine is a cold drink dispenser.
- This machine should be used only for the purpose for which it was designed. Any other use is inappropriate and therefore dangerous.
- The manufacturer will not be held responsible for any damage caused by improper use.
- Before installing and operating the machine read this instruction manual carefully.
- Basic safety rules:
 - DO NOT touch the machine when hands or feet are wet.
 - DO NOT use the machine when barefoot.
 - This appliance should only be used by persons who have the knowledge, experience, and capability to operate it in a safe way.
 - DO NOT allow children to play with the appliance.
 - DO NOT allow the machine to be used by children or untrained persons.
 - DO NOT leave the machine outdoors.
 - DO NOT pull on the electrical cord to unplug the machine.
- The company reserves the right to modify the construction or appearance without notice.

Prop 65 Warning



WARNING: This product can expose you to chemicals including lead, which are known to the State of California to cause cancer, birth defects, or other reproductive harm. For more information, go to www.p65warnings.ca.gov



FEATURES & CONTROLS

TECHNICAL FEATURES

	D3G1	D3G2	D3G3
Bowls	1	2	3
Capacity	1 x 3 Gal	2 x 3 Gal	3 x 3 Gal
Gas	R134a		
Width	7.9 in	14.7 in	23.6 in
Depth	16.9 in		
Height	30 in		
Weight	42 lb	59.5 lb	84 lb
Power	275W	325W	395W
Voltage	120V		

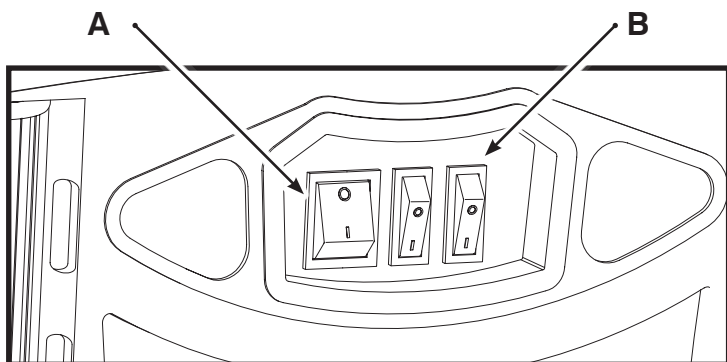
SERIAL PLATE

The technical features of the machine are reported on the serial plate attached on the frame.

	MADE IN ITALY
ITEM: 177D3G1	
MODEL: COLDREAM 1M	
DESCRIPTION: REFRIGERATED BEVERAGE DISPENSER	
VOLTAGE: 120V WATTS: 260W	
GAS/Q.TY: R513 - GR. 140	
SERIAL #:	

MAIN CONTROLS

Positioned on the right side of the machine.



A - Main Power Switch

O: Machine is OFF

I: Machine is ON

B - Mixing System Switch(es) - One for Each Bowl

O: Mixer is OFF

I: Mixer is ON

INSTALLATION

UNPACKING

In order to prevent the oil contained in the air-tight compressor from flowing into the cooling circuit, it is necessary to always carry, store, and handle the machine in a vertical position, following the instructions found on the packaging.

If the machine was accidentally or purposely placed in a non-vertical position during transport, before operating the machine it should be kept in a straight position for approximately 30 minutes to allow the oil to flow back into the compressor.

1. Remove cardboard and plastic covering.
2. Make sure that the machine has not been damaged.
3. Remove the plastic film from all the stainless steel panels.
4. Before operating, remove the green plastic plug(s) from the tap(s). (Fig. 1)

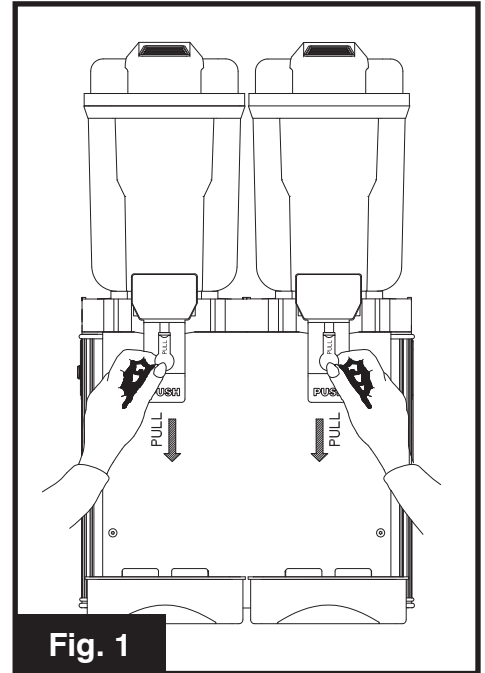


Fig. 1

CAUTION

Dispose of packaging materials correctly.
Do not leave within reach of children.

POSITIONING

1. Place the machine on a sturdy horizontal surface.
2. For improved ventilation, maintain a distance of 6 in. between the unit and walls or other obstacles. Increase the distance if the obstacles are a heating source. (Fig. 2)
3. Leave 60 in. of free space in front of the machine to allow for easy use and maintenance. (Fig. 2)
4. Leave 10 in. of free space above the machine to allow for removal of lids. (Fig. 2)
5. When the machine is in place, adjust the rubber legs to level.

ELECTRICAL CONNECTION

If in doubt, consult a specialized electrical technician.
Before inserting the plug into the electrical outlet, carefully read the following precautions:

1. Make sure that the machine is properly connected to an efficient grounding system, in compliance with current safety standards;
2. Make sure that the voltage is in accordance with what is indicated on the "serial number" tag applied on the chassis.
3. The current available is sufficient for the maximum required by the machine;
4. If needed, use only approved multiple outlets, in compliance with current safety standards
5. If in doubt, consult only specialized technicians.
6. By law, the machine must always be grounded.

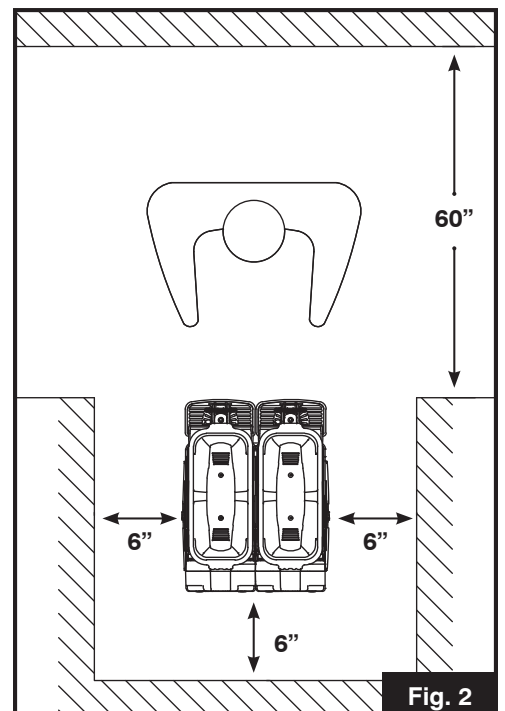


Fig. 2

OPERATION



CAUTION

Before using the machine, all food contact surfaces and components must be cleaned and sanitized in accordance to the Washing & Sanitizing section of this manual.

PREPARING THE PRODUCT

Concentrate

In order to obtain a homogeneous mix, the product will need to be pre-mixed before being added to the machine. Follow the manufacturer's recommendations for mixing.

Ready-to-Use & Pre-Mixed Concentrates

1. Turn the machine OFF and unplug from power supply.
2. Pour liquid into the bowl. (Fig. 3)
3. DO NOT pour below the MIN Level. (3-4 L)
4. DO NOT pour above the MAX Level.

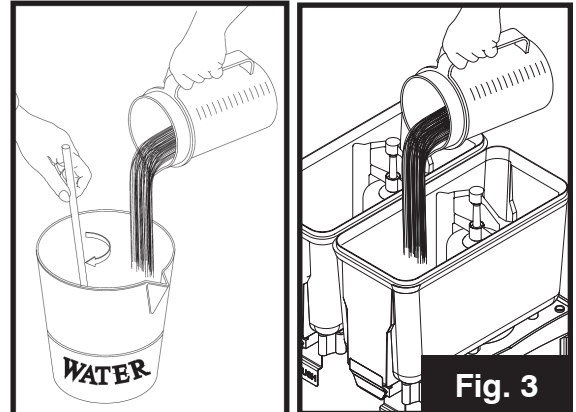


Fig. 3

COLD DRINKS



CAUTION

DO NOT run the pump without liquid.

Prepare the product separately before proceeding.

1. Make sure that the main switch (A) is in the [OFF] position, and plug in the machine. (Fig. 4)
2. Before starting the machine ensure that the bowls are properly closed with their covers.
3. Turn the main switch (A) to [ON] position; the refrigerant group unit will automatically start. (Fig. 4)
4. To start the mixing action, turn the mixing system switch (B) to [ON] position. There is a switch for each container. (Fig. 4)
5. To pour drink out, press the drinking glass lightly against lever.

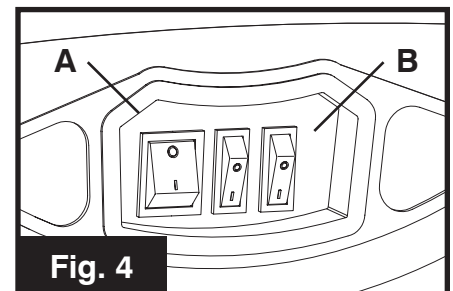


Fig. 4

BEVERAGE TEMPERATURE REGULATOR



CAUTION

Remove power plug before adjusting temperature.



CAUTION

Left Hopper is primary and should always have product.

1. Every dispenser has been tested and the thermostat has been set at c.a. +41°F temperature.
2. To adjust this temperature, turn the thermostat knob clockwise to set a lower temperature. (Fig. 6)
3. In the case of a machine with an internal thermostat, remove left or rear side panel (machine with 2 compressors).
4. To disassemble the side panels, loosen the screws on the panels, pushing up then unlatching.
5. To adjust the temperature turn thermostat handle clockwise to set a lower temperature.
6. Hoppers will refrigerate even if there is no product in them. Because the thermostat is installed in the left hopper, product must be used in that hopper above all others.
7. Unit cannot be used with water or any other product that does not contain sugar. If the unit runs below 30°F, then the chance of freezing is high.

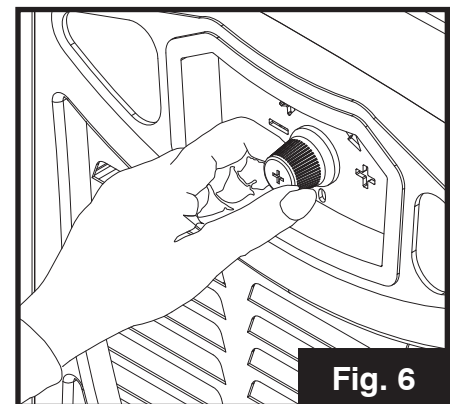


Fig. 6

CLEANING



CAUTION

The machine must be turned OFF and unplugged from the power source before cleaning.

DISASSEMBLY (Fig. 7)

1. Lift the lid off.
2. Pull the mixer off.
3. Lift the container with both hands with a light, swinging motion. Should you have difficulty, it may be necessary to dampen steel refrigerator and gasket, then repeat the operation.
4. To remove container's gasket, lift it from its setting.
5. To disassemble the panels, unscrew the nuts on the panels, pushing up then unlatching.
6. To reassemble the unit, repeat the above operations in reverse.

CLEANING

Do not use abrasive powders which might impair the container and lid's shine

1. Use neutral soap and lukewarm water to wash container, lid, mixer/pump, refrigerator, and tap.
2. Rinse carefully with water in order to remove any soap residue.
3. For sanitation purpose wash the parts with a solution of cold water and sodium hypochlorite (bleach) with 10 grams (1/2 spoon) for 1 liter of water ratio. Rinse with lukewarm water. For better cleaning and sanitation, use a soft brush.
4. If the dispenser is out of use for a long period of time, remove the power plug and clean all parts carefully; keep the dispenser away from dust and cover it with a plastic sheet.

SERVICING

Any necessary repairs on the machine should be undertaken exclusively by an authorized repair center, using original replacement parts.

The electrical cord should not be replaced by the user.

1. After disconnecting the dispenser, remove panels and clean inside parts, especially condenser fins, with a brush (Fig. 8).
2. Dust reduces the performance of the machine, so clean it at least once a month.
3. The dispenser does not require oiling.

DISPOSAL

When the machine is no longer of use, dispose of it properly. Or if still operational, sell off through an authorized organization or company.

Fig. 7

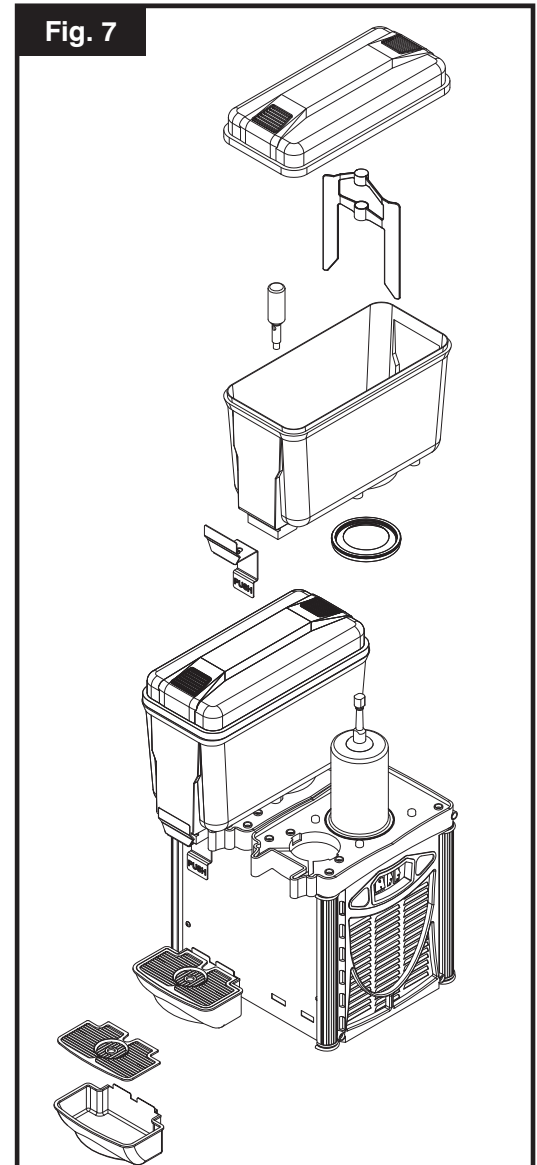
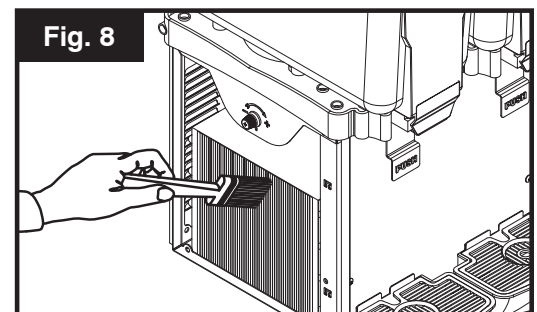


Fig. 8
















TROUBLESHOOTING

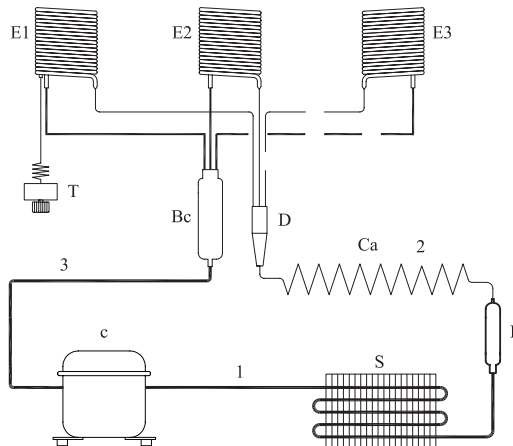
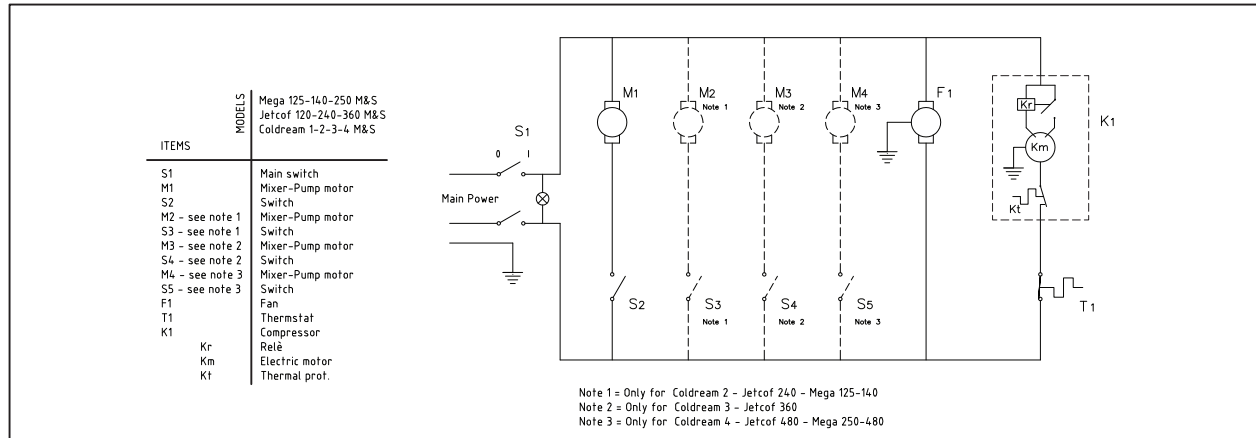


CAUTION

Problems marked with this symbol must be handled by a specialized technician.

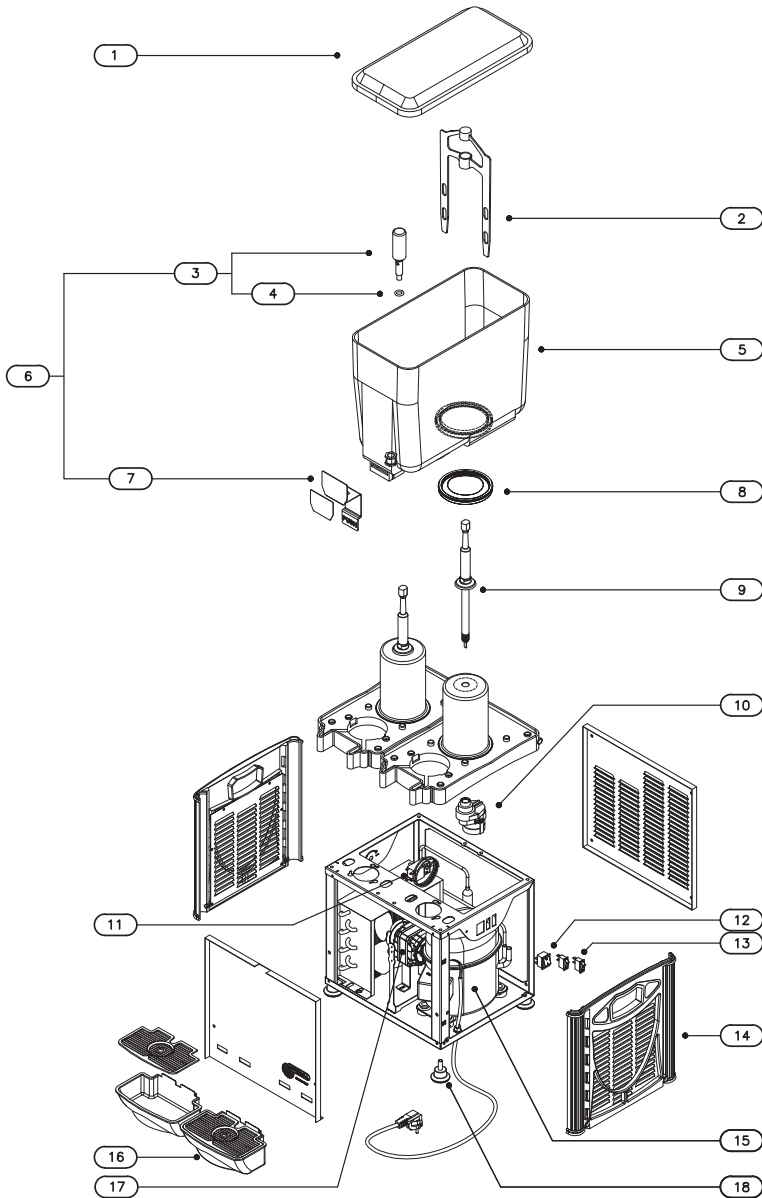
PROBLEM	CAUSE	SOLUTION
The machine does not turn ON	The Main Switch is not set to I	Set the Main Switch to I
	The machine is not plugged in	Plug the machine into the outlet
	Electric cable defective	Replace the electric cable 
	The Main Switch is defective	Replace the switch 
The machine is not cooling	Compressor does not start	See Compressor does not start section below
	Gas leak into the cooling circuit	Find leak, filter it out & re-charge cooling circuit 
	Condenser is clogged	Clean the condenser (see Fig. 8)
	Fan motor is burnt out	Replace the fan motor 
	Lack of air flow	Increase the distance between the machine and other obstacles/heating sources (see Fig. 2)
Compressor does not start	Main switch is broken	Replace main switch 
	Compressor protector is broken	Replace compressor protector
	Compressor relay is broken	Replace compressor relay 
	Compressor motor is broken	Replace motor 
One bowl is not cooling	Gas leak into the cooling circuit	Find leak, filter it out & re-charge cooling circuit 
	Condenser is clogged	Clean the condenser (see Fig. 8)
	Lack of air flow	Increase the distance between the machine and other obstacles/heating sources (see Fig. 2)
	Tube of the cooling circuit is clogged	Cut the tube, eliminate clog, re-charge the cooling circuit 
	Filter is clogged	Replace the filter
Stirring paddles not working	The gearbox is broken	Replace the gearbox, taking care to assemble it in the correct position 
	The gearbox switch is broken	Replace the gearbox switch 
The pump is not working	The pump motor is broken	Replace the pump motor 
	The pump switch is broken	Replace the pump switch 

ELECTRICAL DIAGRAM - D3G1/2/3



c	Compressor
S	Exchanger
F	Fan motor
Bc	Boiler collector
E 1,2,3	Evaporator
D	Distributor
Ca	Capillary
1	Drain Line
2	Liquid Line
3	Suction Line
T	Thermostat

PARTS DIAGRAM - D3G1/2/3



NO.	CODE	DESCRIPTION
1	169	Lid
2	180	Mixer Paddle
3	226	S/S Piston
4	153	O-R for Stainless Steel Tap
5	161	Bowl

NO.	CODE	DESCRIPTION
6	215	Stainless Steel Tap Assembly
7	369	Push Lever
8	151	Bowl Gasket
9	184	Mixer Guiding Shaft
10	297	Gearbox 110V
	298	Gearbox 220V
11	64	Thermostat
12	57	Red Switch
13	56	Black Switch
14	0193,00	Side Panel Grey
	0193,01	Side Panel Red
	0193,02	Side Panel Blue
15	85	Compressor 220V
	86	Compressor 110V
	0067,02	Compressor 220V
	0067,03	Compressor 110V
	82	Compressor 220V/50
	83	Compressor 220V/60
	84	Compressor 110V
16	666	Drip Tray
17	182	Fan Motor 220V
	68	Fan Motor 110V
	833	Fan Motor 220V
	834	Fan Motor 110V
	835	Fan Motor 220V
	836	Fan Motor 110V
18	150	Rubber Leg