



177CMA1B



177CMA3L

Automatic Coffee Makers

Base Models: _____

#177CMA1B

#177CMA2B

#177CMA1L2U

#177CMA3L

#177CMAPADJ

Note:

Please read the manual thoroughly prior to equipment set-up, operation, and maintenance.

Table of Contents

Safety	3
Installation	4
Operation	4
Cleaning.....	6
177CMA1B Parts Diagrams	7
177CMA2B Parts Diagrams	8
177CMA1L2U Parts Diagrams	9
Decanter Brewers Spare Parts List.....	10
177CMAPADJ Parts Diagrams	11
177CMAPADJ Spare Parts List.....	12



Safety

- This appliance is designed for commercial use only.
- This appliance must be placed on a level surface able to adequately support its weight.
- Users should not leave the appliance unattended while it is in operation.
- Never immerse the appliance in water.
- Do not unplug the appliance if your hands are wet.
- Do not unplug the appliance by pulling the cord.
- Do not attempt to repair or replace the power cord if it becomes damaged. Contact a qualified service agent.
- While the appliance is in use, some parts will become very hot. Ensure that the cord does not come in contact with any hot parts.
- Be careful not to touch any hot surfaces.
- Do not allow empty decanters to sit on the hot plate.
- Do not plug in or energize this appliance until installation directions are read and followed.
- Be careful not to touch any hot surfaces. Hot surfaces include, but are not limited to, burners, appliance surfaces, brew chamber, and servers.
- Ensure all operators of the appliance are familiar with all instructions and warnings.
- Brewer must be properly grounded to avoid shock hazard.
- Use appliance only for intended purpose.
- Please keep this manual with appliance.

Specifications

REQUIRED WATER SPECIFICATIONS:

- Total Dissolved Solids: Minimum 50 PPM, Maximum 125 PPM
- Total Hardness: Minimum 3 GPG, Maximum 5 GPG
- Minimum amount of water pressure 40-80 PSI

	177CMA1B	177CMA2B	177CMA1L2U	177CMA3L	177CMA PADJ
Warmers	1	2	3	3	--
Server	Decanter	Decanter	Decanter	Decanter	Decanter
Voltage	120V	120V	120V	120V	120V
Wattage	1550W	1650W	1650W	1650W	1450W

Installation

As stated in the warranty, poor water quality will void warranty. Whenever installing new plumbed-in equipment, water should be tested and new water filtration cartridge/system installed by a certified technician. Avantco recommends item 790OCLOKITL from C Pure.

1. Position the brewer on a sturdy, level surface.
2. Connect the brewer to a water source with a water pressure between 20 and 90 psi using a ½" connection.
3. Plug the brewer into a power source with the correct voltage.
4. Place empty glass decanter or airpot under the funnel.
5. Turn the brewer on and press the brew button.
6. The filling indicator will light up.
7. Hot water should start to flow into the pot after approximately 30 seconds.
8. Repeat steps 4-7 twice to clean the internal parts of the brewer before brewing coffee for the first time.



#790OCLOKITL
C Pure Oceanloch-L
Water Filtration System
1 Micron Rating and
1.67 GPM

Operation

Controls

1. Power Switch – Controls power to the entire brewer.
2. Brew Button – Begins brew cycle with one push (177CMAPADJ offers two brew settings).
3. Filling Indicator Light – Shows that the tank is filling with water.
4. Heating Indicator Light – Shows the water is heating in preparation to begin brew cycle.
5. Warmer Switches – Each switch controls 1 warmer. On/Off setting.

Decanter Brewers

1. Remove the funnel and insert a paper coffee filter.
2. Add the appropriate amount of coffee grounds and level across filter. Return the funnel to its correct position.
3. Make sure the empty decanter is positioned correctly under the funnel.
4. Turn the power switch on.
5. Press the Brew button.
6. Coffee will start to flow into the pot in approximately 30 seconds.
7. When the Heating indicator turns off, the brew cycle has completed.
8. Do not remove the server until the coffee stops flowing.
9. Dispose of used coffee grounds and filter.
10. Rinse the funnel.
11. To brew a second batch, wait until filling and heating lights are off and restart from step 1.

Airpot Brewer – 177CMAPADJ

1. Remove the funnel and insert a paper coffee filter.
2. Add the appropriate amount of coffee grounds and level across filter. Return the funnel to its correct position.
3. Make sure the empty airpot or server is positioned correctly under the funnel.
4. Turn the power switch on.
5. Press the brew switch to the desired batch size.
6. Coffee will start to flow into the pot in approximately 30 seconds.
7. When the Heating indicator turns off, the brew cycle has completed.
8. Do not remove the server until the coffee stops flowing.
9. Dispose of used coffee grounds and filter.
10. Rinse the funnel.
11. To brew a second batch, wait until filling and heating lights are off and restart from step 1.

Using Pour-over Mode (All models)

1. Follow above steps 1-4 (Do not press the brew button or toggle the brew switch).
2. Fill pour-over basin with appropriate amount of water.
3. Water from the basin will displace the same amount of water from the heated tank. The hot water will go into the brew head and spray over the grounds. Coffee will begin to brew into the below container.
4. When the flow and dripping stops, the coffee is ready to serve.
5. Follow steps 9-11.

Cleaning

Regular cleaning ensures long life. For dirt or smudges on the brewer's exterior, a damp cloth will suffice. If necessary, a non-corrosive, non-abrasive detergent or cleaner may be used. Be sure to unplug the appliance before cleaning. Check and clean the sprayhead ensuring the holes remain open to provide optimal brewing.



**Klearly
Koffee**

Klearly Koffee is a simple, easy-to-use product that should be used daily to remove or prevent oil residue and mineral build-up, which turns rancid, causing bitter tasting coffee or tea.

Directions for Cleaning Glass Decanters

Use daily for best results

1. Shake bottle. Apply 3-4 squirts (approx. 1/4 oz. per 1 gal. of liquid) of Klearly Koffee into the decanters (not included). Add very hot water (not boiling).
2. Use a carafe brush for best results on tough stains.
3. Empty solution and rinse vessel thoroughly with clean, warm water. Air dry or wipe clean before next use.

The Importance of Deliming

To prolong your coffee brewer's life and maintain a consistent, quality product, regular deliming is recommended. When hard water is heated, minerals are left behind which can inhibit optimum performance. You should perform the following deliming process at least every 6 months. If your water is extremely hard, monthly deliming is recommended.

Deliming Procedure

- Mix 10 oz. of fresh or condensed lemon juice with 32 oz. of water and pour it into the water reservoir.
- Make sure an empty decanter is underneath the funnel, and turn the unit "ON" as if you are brewing a pot of coffee.
- If the brewer has stopped working, the use of a deliming spring (sold separately) may be necessary to loosen lime deposits in the spray head.

- After the brewer has completed its cycle, turn it “OFF” and empty the decanter.
- Run two or three brewing cycles of plain water through the machine to rinse out all traces of the lemon water solution before brewing more coffee.

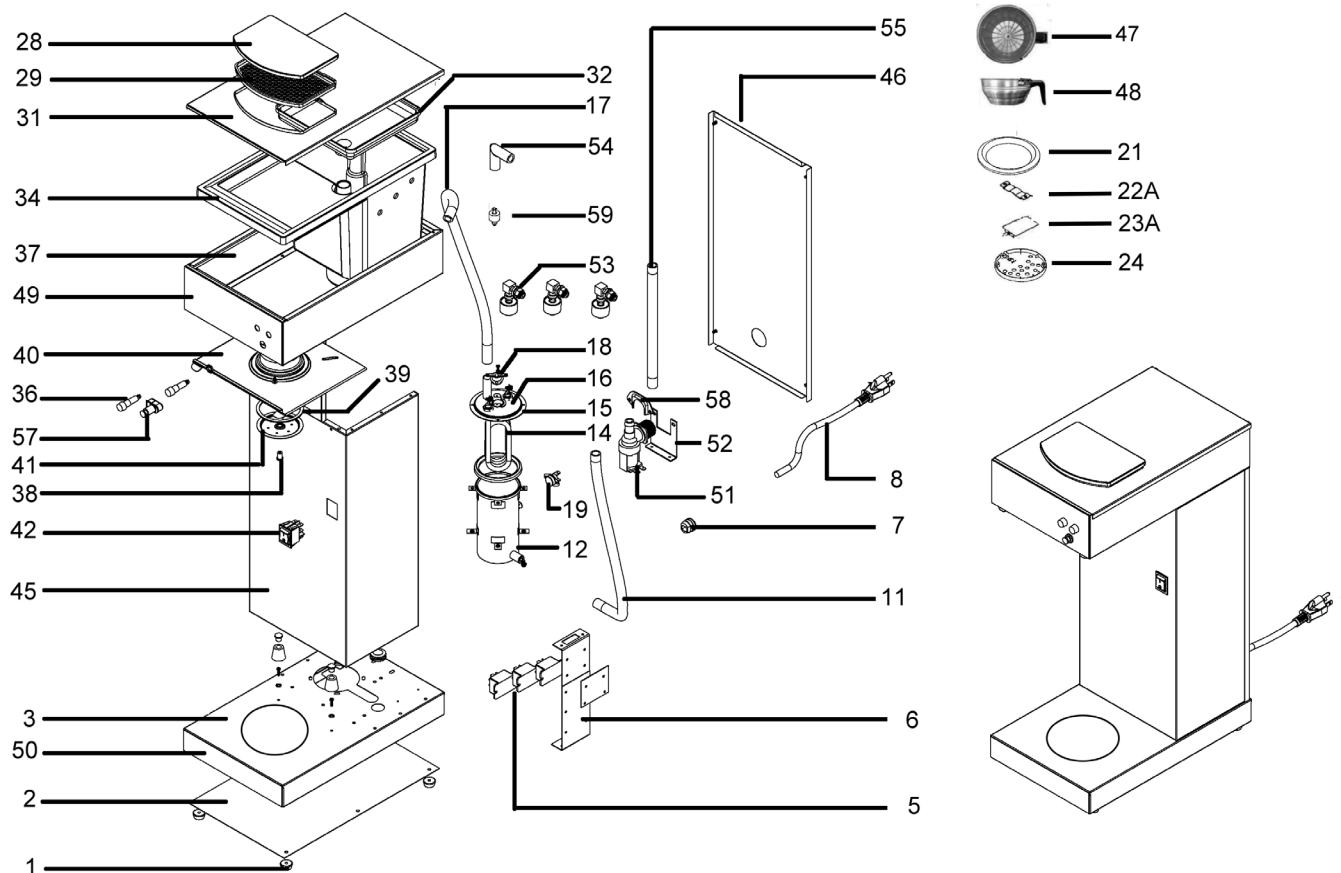
If the brewer suddenly stops working during a normal brewing cycle, deliming may be necessary.



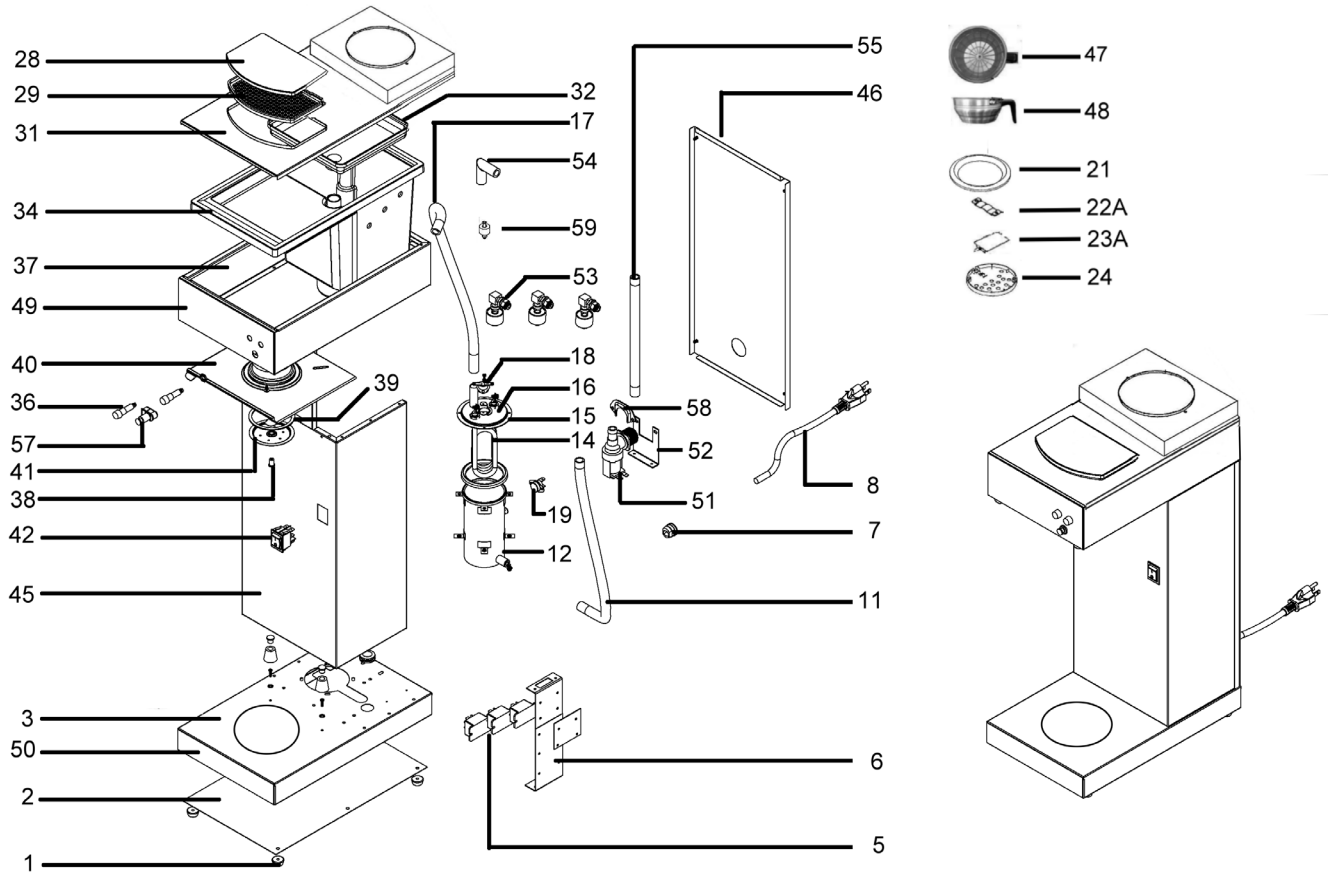
20" Deliming Spring

This deliming spring fits into the sprayhead opening of pour-over coffee makers to loosen lime deposits. Made of stainless steel. Sold separately.

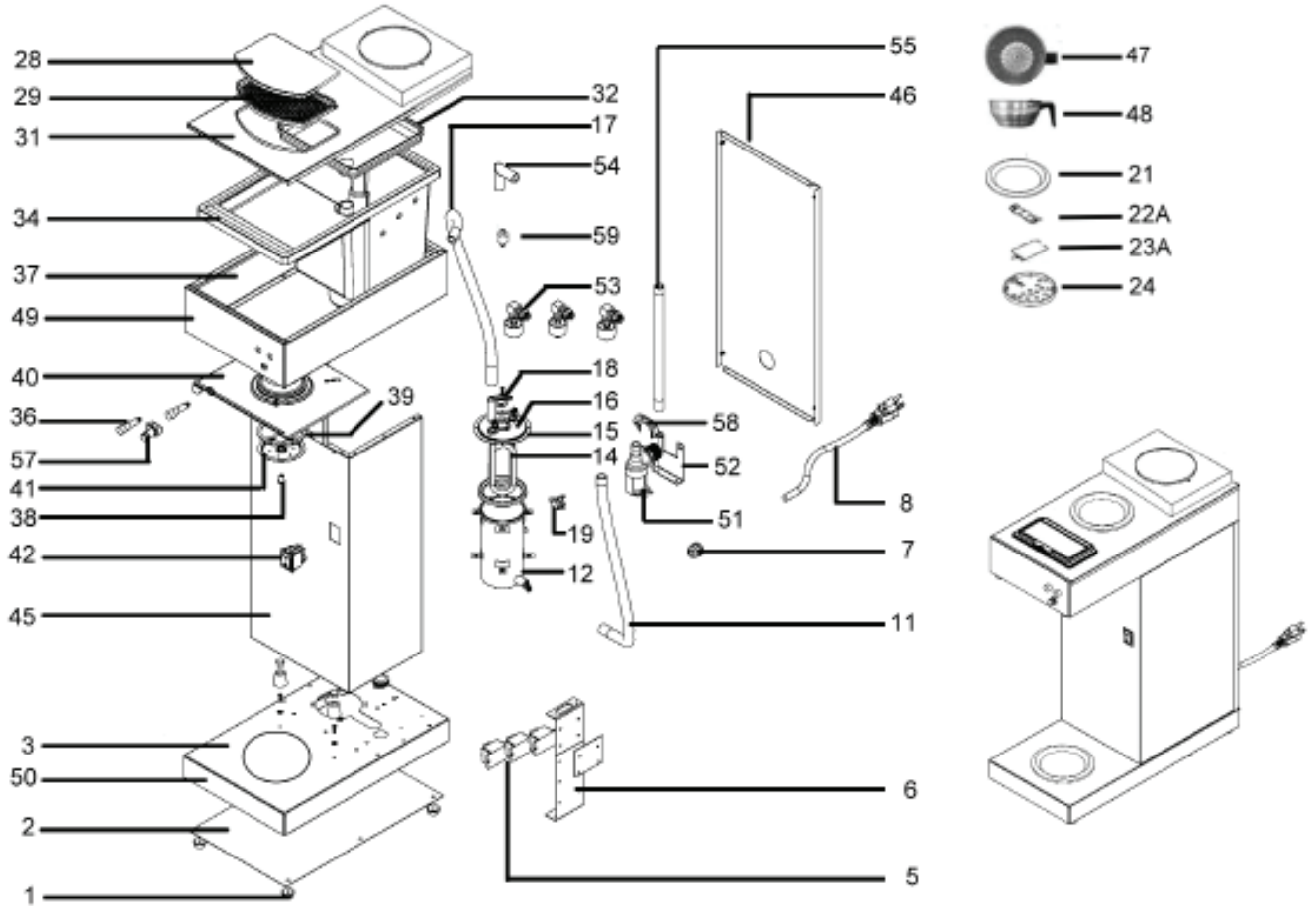
177CMA1B Parts Diagram



177CMA2B Parts Diagram



177CMA1L2U Parts Diagram

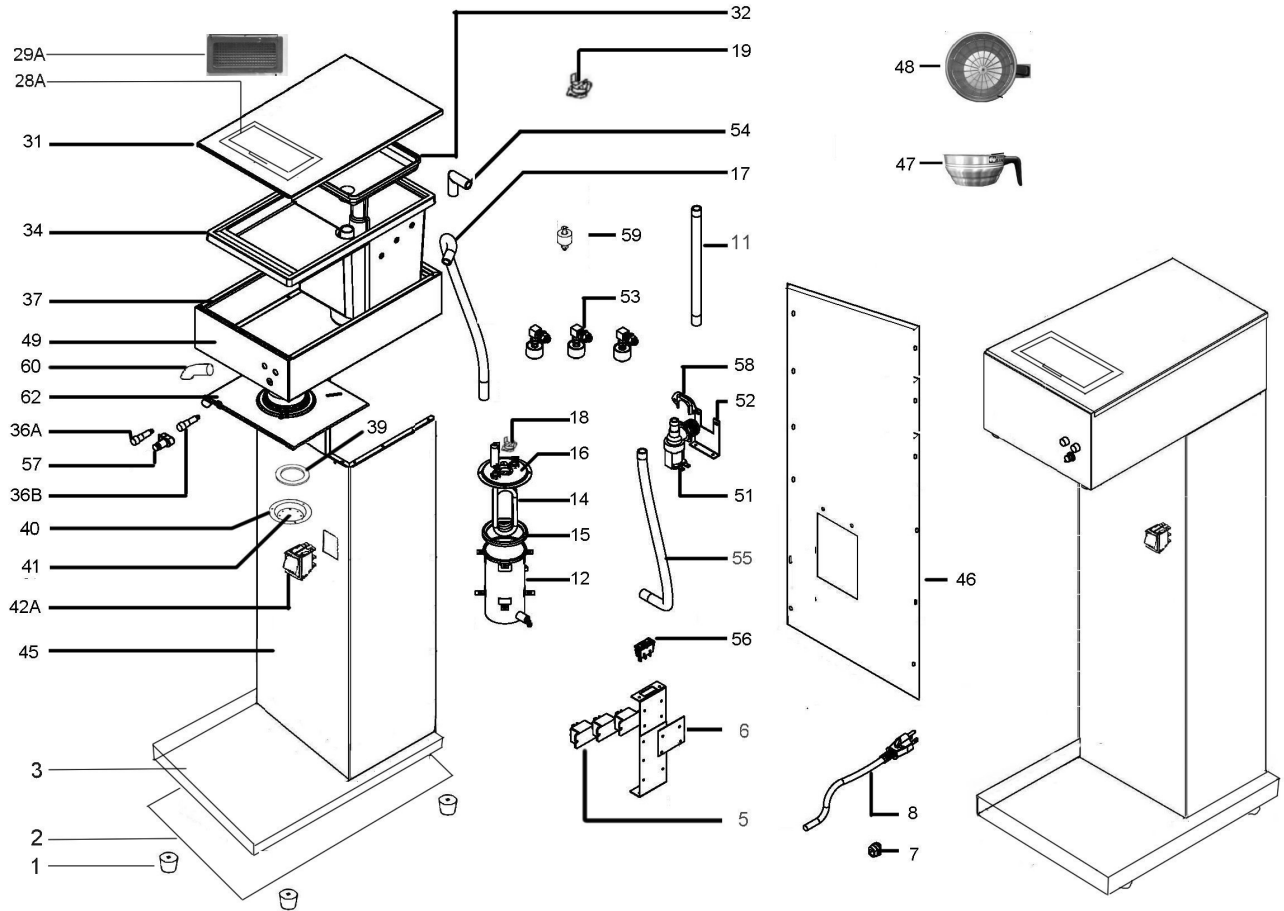


Decanter Brewers Spare Parts List

#	DESCRIPTION	VENDOR #
1	Foot	NUB001
2	Bottom Cover	NUB002
3	Base Frame	NUB003
5	Relay	NUB005
6	Relay Holder	NUB006
7	Wire Clip	NUB007
8	Power Cord + Plug	NUB008
11	Inflow Pipe	NUB011
12	Boiler Tank	NUB012
14	Main Heater	NUB014
15	Sealing Ring Of Boiler	NUB015
16	Lid Of Boiler Tank	NUB016
17	Outflow Pipe	NUB017
18	Auto Thermostat	NUB018
19	Manual Thermostat	NUB019
21	Fever Partition	NUB021
22	Mica Warming Plate Holder	NUB022A
23	Mica Warming Plate	NUB023A
24	Warming Plate	NUB024
28	Lid Of Water Reservoir	NUB028
29	Net Of Water Entrance	NUB029
31	Upper Cover	NUB031
32	Waterproof Panel	NUB032

#	DESCRIPTION	VENDOR #
34	Water Reservoir	NUB034
36	Indicator (Red)	NUB036A
36	Indicator (Green)	NUB036B
37	Upper Frame	NUB037
38	Screw of Sprinkler	NUB038
39	Sealing Ring of Sprinkler	NUB039
40	Sprinkler Holder	NUB040
41	Sprinkler	NUB041
42	Power Switch Single	NUB042A
45	Body Frame	NUB045
46	Rear Cover	NUB046
47	SS Filter Bowl	NUB047
48	Filter Supporter of Filter Bowl	NUB048
49	Upper Panel	NUB049
50	Lower Panel	NUB050
51	Solenoid Valve	NUB051
52	Solenoid Fixer	NUB052
53	Level Switch	NUB053
54	Elbow in Tank	NUB054
55	Inflow Pipe	NUB055
57	Push Switch	NUB057
58	Solenoid Valve Holder	NUB058
59	Double Float Switch	NUB059

177CMAPADJ Parts Diagram



177CMAPADJ Spare Parts List

#	DESCRIPTION	VENDOR #
1	Foot	NUB001
2	Bottom Cover	NUB002
3	Base Frame	NUB003
5	Relay	NUB005
6	Relay Holder	NUB006
7	Wire Clip	NUB007
8	Power Cord + Plug	NUB008
11	Inflow Pipe 10x15x300mm	NUB011
12	Boiler Tank	NUB012
14	Main Heater	NUB014
15	Sealing Ring Of Boiler	NUB015
16	Lid Of Boiler Tank	NUB016
17	Outflow Pipe 10x15x375mm	NUB017
18	Auto Thermostat 105°C	NUB018
19	Manual Thermostat 145°C	NUB019
28	Plastic Lid of Water Reservoir	NUB028
29	Net Of Water Entrance	NUB029
31	Upper Cover	NUB031
32	Waterproof Panel (SS)	NUB032
34	Plastic Water Reservoir	NUB034
36	Indicator (Red)	NUB036A
36	Indicator (Green)	NUB036B

#	DESCRIPTION	VENDOR #
37	Upper Frame	NUB037
39	Sealing Ring of Sprinkler	NUB039
40	Sprinkler Holder	NUB040
41	Sprinkler	NUB041
42	Power Switch Single (black)	NUB042A
45	Body Frame	NUB045
46	Rear Cover	NUB046
47	Filter Pan	NUB047
48	Spring	NUB048
49	Upper Panel	NUB049
51	Solenoid Valve	NUB051
52	Solenoid Fixer	NUB052
53	Level Switch 2.2L/2.5L/2.6L	NUB053
54	Elbow in Tank 10x40x40mm	NUB054
55	Solenoid Inflow Pipe 10x15x330	NUB055
56	Shift Switch of Capacity	NUB056
57	Push Switch	NUB057
58	Solenoid Valve Holder	NUB058
59	Float Switch	NUB059
60	Elbow-out	NUB060
62	Sprinkler Cover	NUB062