

ASSEMBLY INSTRUCTIONS



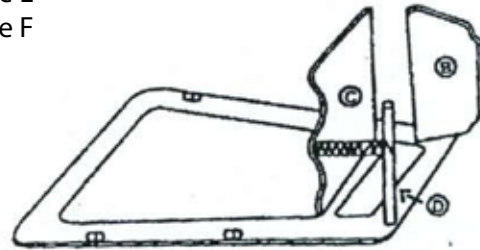
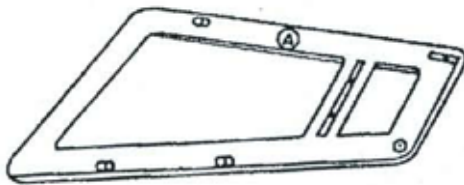
WARNING

To prevent serious injury or death from falls or sliding out, always keep child in view while in high chair. Never leave child unattended.

CONTENTS:

Quantity	Description	
14	JCBC M6 diam x 40mm	
02	Pre-assembled side panels	-Side A
01	Back panel, 12" x 6-5/16"	-Side B
01	Seat panel, 13" x 10-5/8"	-Side C
01	Barrler bar, 11-15/16" x 1-1/4" diam	-Side D
01	Horizontal strut, 14-11/16" x 1-3/4"	-Side E
02	Horizontal struts, 16-7/16" x 1-3/4"	-Side F

Please use wood glue when assembling joints

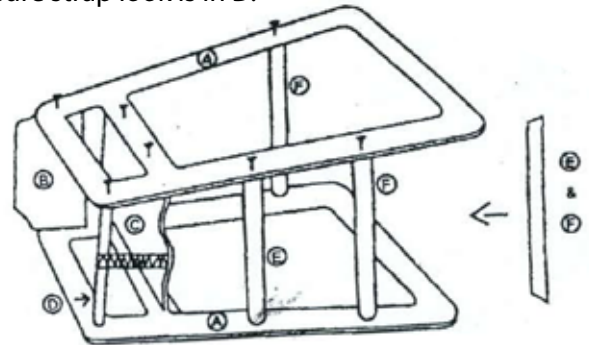
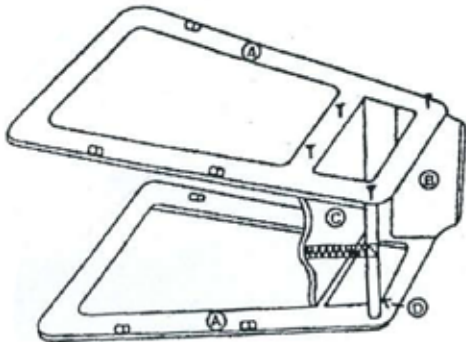


1. Place side A on flat surface with slot facing up.

2. Insert back B into slot, (warning Instructions at the back) tap in with palm.

3. Insert seat C into slot.

4. With strap uncolled, attach bar D into slot. Make sure strap look is in D.



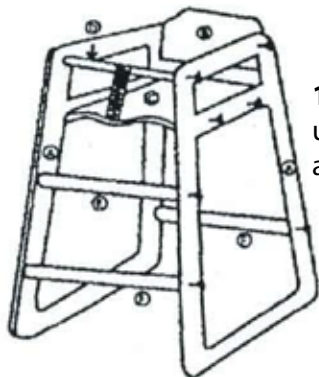
5. Place remaining side A on top of B, C & D. Tap in place. This will hold in place until secured.

6. Starting with back B install screws loosely in B, C & D.

7. Turn chair over and install screws as in step 6.

8. Tap shorter bar E into slots, making sure angle cuts on ends are properly aligned (shorter width at top), install screw.

9. Tap in bottom bars F, install screws.



10. Turn chair upright and tighten all screws.

WARNING: NEVER LEAVE CHILD IN HIGH CHAIR UNATTENDED

Maintenance: Periodically tighten screws, as needed. Clean with a mild detergent and soft cloth.

We strongly advise against using electric drills or appliances when assembling this product.