



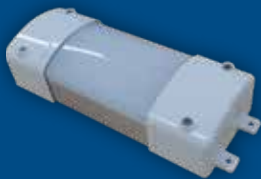
LED LIGHTING

For Walk-In Coolers and Freezers

Standard LED lighting on all walk-ins reduces energy costs, delivers maximum performance in cold environments, and improves light output for better profitability

Features

- Instant-on to full brightness with no waiting for lights to warm up
- LED light is centered above door so not to be obstructed by retarder or shelving
- Brighter white output at 5000°K at 15% the power usage
- 15W LED delivers 1500 lumens—same as 100W incandescent, with far less energy
- Reduced heat output reduces cooling costs. LEDs emit 3 BTUs/hour while incandescent bulbs emit 85 BTUs/hour
- 90% of incandescent light bulb's energy is wasted heat
- Reduced maintenance cost: LEDs average 50,000 hours of life vs. 1,000 hours for incandescent
- Ideal for operating temperature of -40°F (-40°C) to +122°F (+50°C)
- Approvals: UL, NSF and C-UL
- 5 year replacement warranty



P/N 157750
9" standard over door -
optional for ceiling mount



P/N 157751
24" optional ceiling mount



P/N 157752
48" optional ceiling mount

SPECIFICATIONS

9" 1500 Unit Specifications

Input Voltage (nominal, AC, 50/60Hz)	volts 120 to 277
Input Power (typical)	watts 15
Input Current @ 120V AC	amps 0.125
Luminous Flux (typical)	lumens 1500

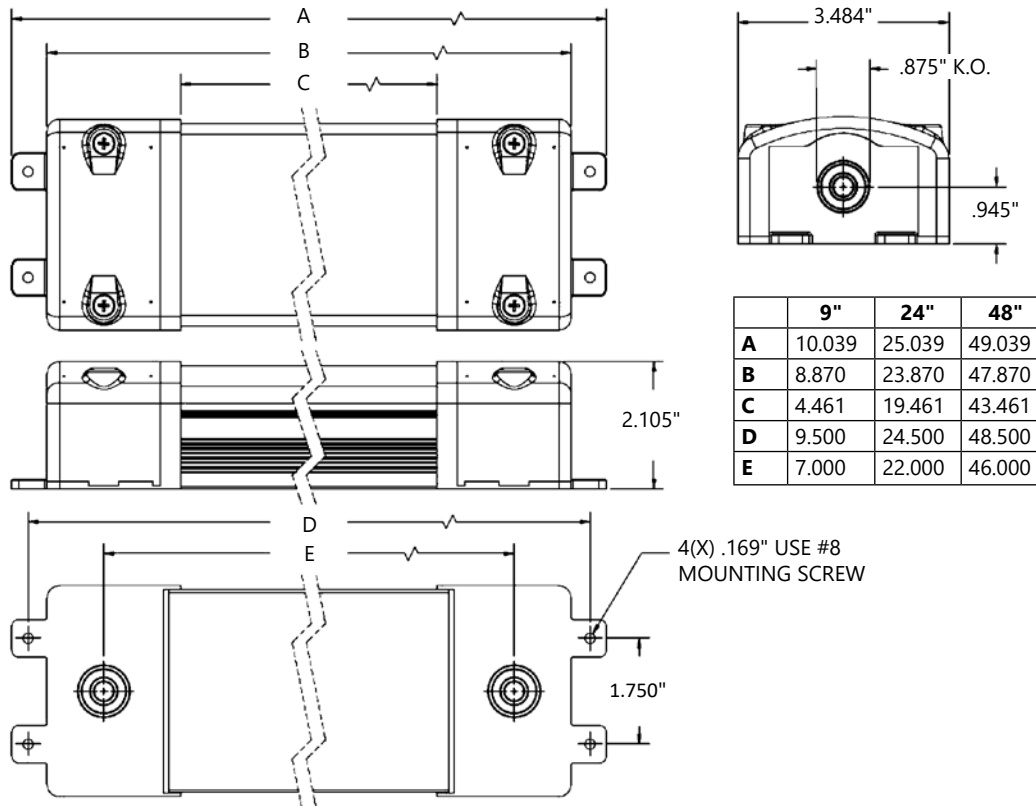
48" 4350 Unit Specifications

Input Voltage (nominal, AC, 50/60Hz)	volts 120 to 277
Input Power (typical)	watts 39
Input Current @ 120V AC	amps 0.325
Luminous Flux (typical)	lumens 4350

24" 2900 Unit Specifications

Input Voltage (nominal, AC, 50/60Hz)	volts 120 to 277
Input Power (typical)	watts 30
Input Current @ 120V AC	amps 0.242
Luminous Flux (typical)	lumens 2900

- Safety Testing: Complies to UL standards
- NSF International: NSF/ANSI 2 compliant
- Ingress Protection: IP65 compliant
- IESNA LM80-08: LEDs used comply with LM80-08 standards ensuring verifiable life-span.



891 County Road U • Hudson, WI 54016
800-955-5253 • www.norlake.com

