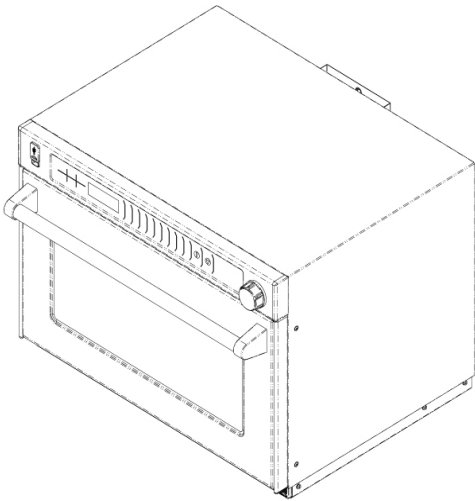




# Owner's Manual

**THIS OVEN IS INTENDED FOR COMMERCIAL USE ONLY**



## Commercial Microwave Oven

Keep these instructions for future reference. If the oven changes ownership, be sure this manual accompanies the oven.

### Contents

Model Identification .....	2
Precautions to Avoid Possible Exposure to Excessive Microwave Energy.....	2
Important Safety Instructions.....	3-4
Earthing Instructions.....	5
Installation.....	5
Display and Features.....	6-8
Using Oven Controls.....	9
Programming Oven Controls.....	10-11
Changing User Options.....	11
User Options Table.....	12
Care and Cleaning.....	13
Before Calling for Service.....	14

# Model Identification

---

When contacting ACP, provide product information. Product information is located on oven serial plate. Record the following information:

Model Number: \_\_\_\_\_  
Manufacturing Number: \_\_\_\_\_  
Serial or S/N Number: \_\_\_\_\_  
Date of purchase: \_\_\_\_\_  
Dealer's name and address: \_\_\_\_\_  
\_\_\_\_\_

Any questions or to locate an authorized ACP servicer, call toll free 1-866-426-2621 inside U.S.A. or Canada, or 1-319-368-8120 outside U.S.A or Canada. Warranty service must be performed by an authorized ACP servicer. ACP also recommends contacting an authorized ACP servicer if service is required after warranty expires.

---

## IMPORTANT SAFETY INSTRUCTIONS



It is used to alert you to potential personal injury hazards. Obey all safety messages that follow this symbol to avoid possible injury or death. When using electrical equipment, basic safety precautions should be followed to reduce the risk of burns, electrical shock, fire, or injury to persons.

### PRECAUTIONS TO AVOID POSSIBLE EXPOSURE TO EXCESSIVE MICROWAVE ENERGY

- A. **DO NOT** attempt to operate this oven with the door open since open door operation can result in harmful exposure to microwave energy. It is important not to defeat or tamper with the safety interlocks.
- B. **DO NOT** place any object between the oven front face and the door or allow soil or cleaner residue to accumulate on sealing surfaces.
- C. **DO NOT** operate the oven if it is damaged. It is particularly important that the oven door close properly and that there is no damage to the:
  - 1. door (bent)
  - 2. hinges and latches (broken or loosened)
  - 3. door seals and sealing surfaces.
- D. The oven should not be adjusted or repaired by anyone except properly qualified service personnel.

## SAVE THESE INSTRUCTIONS

# IMPORTANT SAFETY INSTRUCTIONS



It is used to alert you to potential personal injury hazards. Obey all safety messages that follow this symbol to avoid possible injury or death.



## WARNING

When using electrical equipment, basic safety precautions should be followed to reduce the risk of burns, electrical shock, fire, or injury to persons.

1. **READ** all instructions before using equipment.
  2. **READ AND FOLLOW** the specific “**PRECAUTIONS TO AVOID POSSIBLE EXPOSURE TO EXCESSIVE MICROWAVE ENERGY**” on page 2.
  3. This equipment **MUST BE GROUNDED**. Connect only to properly **GROUNDED** outlet. See “**GROUNディング/EARTHING INSTRUCTIONS**” on page 5.
  4. Install or locate this equipment **ONLY** in accordance with the installation instructions in this manual.
  5. Some products such as whole eggs and sealed containers—for example, closed glass jars—are able to explode and **SHOULD NOT** be **HEATED** in this oven.
  6. Use this equipment **ONLY** for its intended use as described in this manual. Do not use corrosive chemicals or vapors in this equipment. This type of oven is specifically designed to heat, cook, or dry food. It is not designed for industrial or laboratory use.
  7. As with any equipment, **CLOSE SUPERVISION** is necessary when used by **CHILDREN**.
  8. **DO NOT** operate this equipment if it has a damaged cord or plug, if it is not working properly, or if it has been damaged or dropped.
  9. This equipment, including power cord, must be serviced **ONLY** by qualified service personnel. Special tools are required to service equipment. Contact nearest authorized service facility for examination, repair, or adjustment.
  10. **DO NOT** cover or block filter (if applicable) or other openings on equipment.
  11. **DO NOT** store this equipment outdoors. **DO NOT** use this product near water – for example, near a kitchen sink, in a wet basement, a swimming pool, or a similar location.
  12. **DO NOT** immerse cord or plug in water.
  13. Keep cord **AWAY** from **HEATED** surfaces.
  14. **DO NOT** let cord hang over edge of table or counter.
  15. See door cleaning instructions on page
  16. Cleaning and user maintenance shall not be made by children without supervision.
  17. To avoid risk of fire in the oven cavity:
    - a. **DO NOT** overcook food. Carefully attend oven when paper, plastic, or other combustible materials are placed inside the oven to facilitate cooking.
    - b. Remove wire twist-ties from paper or plastic bags before placing bag in oven.
    - c. If materials inside the oven ignite, keep oven door **CLOSED**, turn oven off and disconnect the power cord, or shut off power at the circuit breaker panel.
  - d. **DO NOT** use the cavity for storage. **DO NOT** leave paper products, cooking utensils, or food in the cavity when not in use.
  18. For commercial use only.
  19. It is hazardous for anyone other than a competent person to carry out any service or repair operation that involves the removal of any cover which gives protection against exposure to microwave energy.
  20. If the door or door seals are damaged, the oven must not be operated until it has been repaired by a competent person.
  21. Appliance is not to be used by children 8 years and below or persons with reduced physical, sensory or mental capabilities or lack of experience and knowledge, unless they have been given supervision or instruction.
  22. Children being supervised not to play with appliance.
  23. Only use utensils that are suitable for use in microwave oven.
  24. When heating food in plastic or paper containers, keep an eye on the oven due to the possibility of ignition.
  25. If smoke is observed, switch off or unplug the appliance and keep the door closed in order to stifle any flames.
  26. Failure to maintain the oven in a clean condition could lead to deterioration of the surface that could adversely affect the life of the appliance and possibly result in a hazardous situation.
  27. The appliance should not be cleaned with a water jet (for appliances intended to stand on the floor and which are not at least IPX5).
  28. Liquids or other foods must not be heated in sealed containers since they are liable to explode.
  29. Microwave heating of beverages can result in delayed eruptive boiling, therefore care must be taken when handling the container.
- Combination Ovens Only:**
30. **DO NOT** insert oversized foods or oversized utensils in a microwave/convection oven as they may create a fire, an electrical arc, or risk of electrical shock.
  31. **DO NOT** clean with metal scouring pads. Pieces can break off the pad and touch electrical parts involving risk of electrical shock.
  32. **DO NOT** use paper products not intended for high temperature cooking when equipment is operated in convection or combination mode.
  33. **DO NOT** store any materials, other than manufacturer’s recommended accessories, in this equipment when not in use.
  34. **DO NOT** cover any part of the oven with metal foil. Airflow restriction will cause overheating of the oven.
  35. **DO NOT** spray oven cleaning solutions toward the rear inner cavity surface. This will contaminate and damage the convection heating assembly.

# IMPORTANT SAFETY INSTRUCTIONS



## WARNING

To avoid risk of fire in the oven cavity:

- a. **DO NOT** overcook food. Carefully attend oven when paper, plastic, or other combustible materials are placed inside the oven to facilitate cooking.
- b. Remove wire twist-ties from paper or plastic bags before placing bag in oven.
- c. If materials inside the oven ignite, keep oven door **CLOSED**, turn oven off and disconnect the power cord, or shut off power at the fuse or circuit breaker panel.
- d. **DO NOT** use the cavity for storage. **DO NOT** leave paper products, cooking utensils, or food in the cavity when not in use.



## WARNING

Liquids such as water, coffee, or tea are able to be overheated beyond the boiling point without appearing to be boiling due to surface tension of the liquid. Visible bubbling or boiling when the container is removed from the microwave oven is not always present.

**THIS COULD RESULT IN VERY HOT LIQUIDS SUDDENLY BOILING OVER WHEN A SPOON OR OTHER UTENSIL IS INSERTED INTO THE LIQUID.** To reduce the risk of injury to persons:

- i) Do not overheat the liquid.
- ii) Stir the liquid both before and halfway through heating it.
- iii) Do not use straight-sided containers with narrow necks.
- iv) After heating, allow the container to stand in the microwave oven for a short time before removing the container.
- v) Use extreme care when inserting a spoon or other utensil into the container.



## CAUTION

To avoid personal injury or property damage, observe the following:

1. Do not deep fat fry in oven. Fat could overheat and be hazardous to handle.
2. Do not cook or reheat eggs in shell or with an unbroken yolk using microwave energy. Pressure may build up and erupt. Pierce yolk with fork or knife before cooking.
3. Pierce skin of potatoes, tomatoes, and similar foods before cooking with microwave energy. When skin is pierced, steam escapes evenly.
4. Do not operate equipment without load or food in oven cavity.
5. Use only popcorn in packages designed and labeled for microwave use. **Popping time varies depending on oven wattage.** Do not continue to heat after popping has stopped. Popcorn will scorch or burn. Do not leave oven unattended.
6. Do not use regular cooking thermometers in oven. Most cooking thermometers contain mercury and may cause an electrical arc, malfunction, or damage to oven.
7. Do not use metal utensils in oven.
8. Never use paper, plastic, or other combustible materials that are not intended for cooking.
9. When cooking with paper, plastic, or other combustible materials, follow manufacturer's recommendations on product use.
10. Do not use paper towels which contain nylon or other synthetic fibers. Heated synthetics could melt and cause paper to ignite.
11. Do not heat sealed containers or plastic bags in oven. Food or liquid could expand quickly and cause container or bag to break. Pierce or open container or bag before heating.
12. To avoid pacemaker malfunction, consult physician or pacemaker manufacturer about effects of microwave energy on pacemaker.
13. An authorized servicer **MUST** inspect equipment annually. Record all inspections and repairs for future use.

# SAVE THESE INSTRUCTIONS



# IMPORTANT SAFETY INSTRUCTIONS

## **WARNING**

To reduce the risk of burns, electrical shock, fire, or personal injury when using electrical equipment, basic safety precautions should be followed.

1. **READ** all instructions before using equipment.
  2. **READ AND FOLLOW** the specific “**PRECAUTIONS TO AVOID POSSIBLE EXPOSURE TO EXCESSIVE MICROWAVE ENERGY**” on page 1.
  3. This equipment **MUST BE GROUNDED**. Connect only to properly **GROUNDED** outlet. See “**GROUNDING/EARTHING INSTRUCTIONS**” on page 4.
  4. Install or locate this equipment **ONLY** in accordance with the installation instructions in this manual.
  5. Some products such as whole eggs and sealed containers—for example, closed glass jars—are able to explode and **SHOULD NOT** be **HEATED** in this oven.
  6. Use this equipment **ONLY** for its intended use as described in this manual. Do not use corrosive chemicals or vapors in this equipment. This type of oven is specifically designed to heat, cook, or dry food. It is not designed for industrial or laboratory use.
  7. As with any equipment, **CLOSE SUPERVISION** is necessary when used by **CHILDREN**.
  8. **DO NOT** operate this equipment if it has a damaged cord or plug, if it is not working properly, or if it has been damaged or dropped.
  9. This equipment, including power cord, must be serviced **ONLY** by qualified service personnel. Special tools are required to service equipment. Contact nearest authorized service facility for examination, repair, or adjustment.
  10. **DO NOT** cover or block filter (if applicable) or other openings on equipment.
  11. **DO NOT** store this equipment outdoors. **DO NOT** use this product near water – for example, near a kitchen sink, in a wet basement, a swimming pool, or a similar location.
  12. **DO NOT** immerse cord or plug in water.
  13. Keep cord **AWAY** from **HEATED** surfaces.
  14. **DO NOT** let cord hang over edge of table or counter.
  15. See door cleaning instructions on page 4. Cleaning and user maintenance shall not be made by children without supervision.
  16. To avoid risk of fire in the oven cavity:
    - a. **DO NOT** overcook food. Carefully attend oven when paper, plastic, or other combustible materials are placed inside the oven to facilitate cooking.
    - b. Remove wire twist-ties from paper or plastic bags before placing bag in oven.
    - c. If materials inside the oven ignite, keep oven door **CLOSED**, turn oven off and disconnect the power cord, or shut off power at the fuse or circuit breaker panel.
  - d. **DO NOT** use the cavity for storage. **DO NOT** leave paper products, cooking utensils, or food in the cavity when not in use.
  17. For commercial use only.
  18. It is hazardous for anyone other than a competent person to carry out any service or repair operation that involves the removal of any cover which gives protection against exposure to microwave energy.
  19. If the door or door seals are damaged, the oven must not be operated until it has been repaired by a competent person.
  20. Appliance is not to be used by children 8 years and below or persons with reduced physical, sensory or mental capabilities or lack of experience and knowledge, unless they have been given supervision or instruction.
  21. Children being supervised not to play with appliance.
  22. Only use utensils that are suitable for use in microwave oven.
  23. When heating food in plastic or paper containers, keep an eye on the oven due to the possibility of ignition.
  24. If smoke is observed, switch off or unplug the appliance and keep the door closed in order to stifle any flames.
  25. Failure to maintain the oven in a clean condition could lead to deterioration of the surface that could adversely affect the life of the appliance and possibly result in a hazardous situation.
  26. The appliance should not be cleaned with a water jet (for appliances intended to stand on the floor and which are not at least IPX5).
  27. Liquids or other foods must not be heated in sealed containers since they are liable to explode.
  28. Microwave heating of beverages can result in delayed eruptive boiling, therefore care must be taken when handling the container.
- Combination Ovens Only:**
29. **DO NOT** insert oversized foods or oversized utensils in a microwave/convection oven as they may create a fire, an electrical arc, or risk of electrical shock.
  30. **DO NOT** clean with metal scouring pads. Pieces can break off the pad and touch electrical parts involving risk of electrical shock.
  31. **DO NOT** use paper products not intended for high temperature cooking when equipment is operated in convection or combination mode.
  32. **DO NOT** store any materials, other than manufacturer’s recommended accessories, in this equipment when not in use.
  33. **DO NOT** cover any part of the oven with metal foil. Airflow restriction will cause overheating of the oven.
  34. **DO NOT** spray oven cleaning solutions toward the rear inner cavity surface. This will contaminate and damage the convection heating assembly.

# IMPORTANT SAFETY INSTRUCTIONS



## CAUTION

To avoid risk of personal injury or property damage, observe the following safety instructions:

### General Use:

1. **Do not** use regular cooking thermometers in oven. Most cooking thermometers contain mercury and may cause an electrical arc, malfunction, or damage to oven.
2. Never use paper, plastic, or other combustible materials that are not intended for cooking.
3. When cooking with paper, plastic, or other combustible materials, follow manufacturer's recommendations on product use.
4. **Do not** use paper towels which contain nylon or other synthetic fibers. Heated synthetics could melt and cause paper to ignite.
5. To avoid surface deterioration, keep the oven in a clean condition. Infrequent cleaning could adversely affect the life of the appliance and possible result in a hazardous situation.
6. Clean oven regularly and remove any food deposits.

### Heating Foods and Liquids:

7. Liquids such as water, coffee, or tea are able to be overheated beyond the boiling point without appearing to be boiling due to surface tension of the liquid. Visible bubbling or boiling when the container is removed from the microwave oven is not always present. **THIS COULD RESULT IN VERY HOT LIQUIDS SUDDENLY BOILING OVER WHEN A SPOON OR OTHER UTENSIL IS INSERTED INTO THE LIQUID.** To reduce the risk of injury to persons:
  - a. Do not overheat the liquid.
  - b. Stir the liquid both before and halfway through heating it.
  - c. Do not use straight-sided containers with narrow necks.
  - d. After heating, allow the container to stand in the microwave for a short time before removing it.
  - e. Use extreme care when inserting a spoon or other utensil into the container.
8. **Do not** deep fat fry in oven. Fat could overheat and be hazardous to handle.
9. **Do not** cook or reheat eggs in shell or with an unbroken yolk using microwave energy. Pressure may build up and erupt. Pierce yolk with fork or knife before cooking.
10. Pierce skin of potatoes, tomatoes, and similar foods before cooking with microwave energy. When skin is pierced, steam escapes evenly.

11. **Do not** heat sealed containers or plastic bags in oven. Food or liquid could expand quickly and cause container or bag to break. Pierce or open container or bag before heating.
12. **Do not** heat baby bottles in oven.
13. Baby food jars shall be open when heated and contents stirred or shaken before consumption, in order to avoid burns.
14. Never use oven to heat alcohol or food containing alcohol as it can more easily catch fire if overheated.

### Additional Microwave Oven Safety Instructions:

15. **Do not** operate equipment without load or food in oven cavity.
16. Use only popcorn in packages designed and labeled for microwave use. **Popping time varies depending on oven wattage.** Do not continue to heat after popping has stopped. Popcorn will scorch or burn. Do not leave oven unattended.
17. **Do not** use metal utensils in oven.
18. An authorized servicer **MUST** inspect equipment annually. Record all inspections and repairs for future use.

### Additional Combination Oven Safety Instructions:

19. **Do not** pop popcorn in this oven.
20. **Do not** use metal utensils in oven except when recommended by microwave food manufacturers or recipe requires metal utensils in convection or combination mode. Heat food in containers made of glass or china if possible.
21. Oven temperature is at least 450°F in convection mode. Verify plastic, paper or other combustible materials are recommended by the manufacturer to withstand the maximum oven temperature.
22. Racks, utensils, rack guides, and oven surfaces may become hot during or after use. Use utensils or protective clothing, like pan grips or dry oven mitts, when necessary to avoid burns.
23. **Do not** unplug oven immediately after use. Internal fan must cool oven to avoid damage of electrical components.
24. Caution: To avoid burns, do not use containers loaded with liquid or kitchen products that become liquid by heating at levels above those that can be easily observed.

# Installation & Cleaning

## Unpacking Oven

- Inspect oven for damage such as dents in door or inside oven cavity.
- Report any dents or breakage to source of purchase immediately.  
**Do not attempt to use oven if damaged.**
- Remove all packing materials from oven interior.
- If oven has been stored in extremely cold area, wait a few hours before connecting power.
- A protective film is used to prevent scratching of the outer case during transportation. Peel off the film from the exterior of the oven before installation.
- The warning label provided with the oven must be placed in a conspicuous location near the oven.

## Radio Interference

Microwave operation may cause interference to WiFi network, radio, television, or a similar oven. Reduce or eliminate interference by doing the following:

- Clean door and sealing surfaces of oven according to provided instructions.
- Place WiFi network, radio, television, etc. as far as possible from oven.
- Use a properly installed antenna on radio, television, etc. to obtain stronger signal reception.

## Oven Placement

- Do not install oven next to or above source of heat, such as pizza oven or deep fat fryer. This could cause microwave oven to operate improperly and could shorten life of electrical parts.
- Do not block or obstruct oven filter. Allow access for cleaning.
- Install oven on level countertop surface.
- Outlet should be located so that plug is accessible when oven is in place.



## CAUTION

To avoid risk of electrical shock, severe personal injury or death, unplug power cord or open circuit breaker to oven before cleaning.



## Cleaning Interior, Exterior, and Door

Clean microwave oven daily with mild detergent in warm water using soft sponge or cloth. Wring sponge or cloth to remove excess water before wiping equipment. If desired,

boil a cup of water in microwave oven to loosen soil before cleaning.  
**DO NOT allow cooking residues such as grease or fat to remain in oven interior for any length of time.**

- Do NOT allow cooking residues to remain in oven cavity.
- Do NOT use abrasive cleansers or cleaners containing ammonia. These could damage finish.
- Do NOT use caustic cleaning products or those containing ammonia, phosphates or chlorine in oven. These could damage oven. Use non-caustic cleaner.
- NEVER pour water into microwave oven bottom.
- Do NOT use water pressure type cleaning systems.
- For more detailed cleaning instructions, see the Owner's Manual on-line at [www.acpsolutions.com](http://www.acpsolutions.com).



## WARNING

To avoid risk of electrical shock or death, this oven must be grounded and plug must not be altered.

## Grounding/Earthing Instructions



Oven **MUST** be grounded. Grounding reduces risk of electric shock by providing an escape wire for the

electric current, if an electrical short occurs. This oven is equipped with a cord having a ground wire with a grounding plug. The plug must be plugged into an outlet that is properly installed and grounded.

Consult a qualified electrician or servicer if grounding instructions are not completely understood, or if doubt exists as to whether the oven is properly grounded.

### Do not use an extension cord.

If the product power cord is too short, have a qualified electrician install a three-slot receptacle. This oven should be plugged into a separate circuit with the electrical rating as provided in product specifications (available on ACP's website at [www.acpsolutions.com](http://www.acpsolutions.com)). When a microwave oven is on a circuit with other equipment, an increase in cooking times may be required and fuses can be blown.

## External Equipotential

### Earthing Terminal *(export only)*

Equipment has secondary earthing terminal. Terminal provides external earthing connection used in addition to earthing prong on plug. Located on outside of oven back, terminal is marked with symbol shown below.



## **⚠ WARNING**

### **Excessive Weight Hazard**

- Use two or more people to move and install oven.
- Failure to do so can result in back or other injury.

## **Unpacking Oven**

- Inspect oven for damage such as dents in door or inside oven cavity.
- Report any dents or breakage to source of purchase immediately.

### **Do not attempt to use oven if damaged.**

- Remove all materials from oven interior.
- If oven has been stored in extremely cold area, wait a few hours before connecting power.

## **Radio Interference**

Microwave operation may cause interference to radio, television, or a similar microwave oven. Reduce or eliminate interference by doing the following:

- Clean door and sealing surfaces of oven according to instructions in *Care and Cleaning* section.
- Place radio, television, etc. as far as possible from oven.
- Use a properly installed antenna on radio, television, etc. to obtain stronger signal reception.

## **Oven Placement**

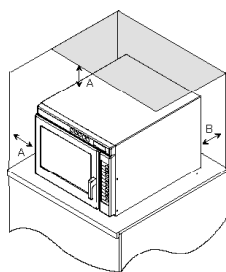
- Do not install oven next to or above source of heat, such as pizza oven or deep fat fryer. This could cause microwave oven to operate improperly and could shorten life of electrical parts.
- Do not block or obstruct oven filter. Allow access for cleaning.
- Install oven on level countertop surface.
- If provided, place warning label in a conspicuous place close to microwave oven.

Outlet should be located so that plug is accessible when oven is in place.

A—For North American (UL/CSA) models, allow at least 2" (5.1 cm) of clearance around top of oven. For International (50 Hz) models, allow at least 7" (17.8 cm) of clearance around top of oven. Proper air flow around oven cools electrical components. With restricted air flow, oven may not operate properly and life of electrical parts is reduced.

B—Allow at least 2 9/16" (6.5 cm) between air discharge on back of oven and back wall.

C—Allow at least 2" (5.1 cm) around sides of oven.



## **⚠ WARNING**

To avoid risk of electrical shock or death, this oven must be grounded.

## **⚠ WARNING**

To avoid risk of electrical shock or death, do not alter the plug.



## **Grounding/Earthing Instructions**

**Oven MUST be earthed.**

Earthing reduces risk of electric shock by providing an escape wire for the electric current, if an electrical short occurs. This oven is equipped with a cord having a earth wire with a earthing plug. The plug must be plugged into an outlet that is properly installed and earthed.

Consult a qualified electrician or servicer if earthing instructions are not completely understood, or if doubt exists as to whether the oven is properly earthed.

### **Do not use an extension cord.**

If the product power cord is too short, have a qualified electrician install a three-slot receptacle. This oven should be plugged into a separate circuit with the electrical rating as provided in product specifications. When a microwave oven is on a circuit with other equipment, an increase in cooking times may be required and circuit protection can be tripped.

### **External Equipotential Earthing Terminal (export only)**

Equipment has secondary earthing terminal. Terminal provides external earthing connection used in addition to earthing prong on plug. Located on outside of oven back, terminal is marked with symbol shown below.

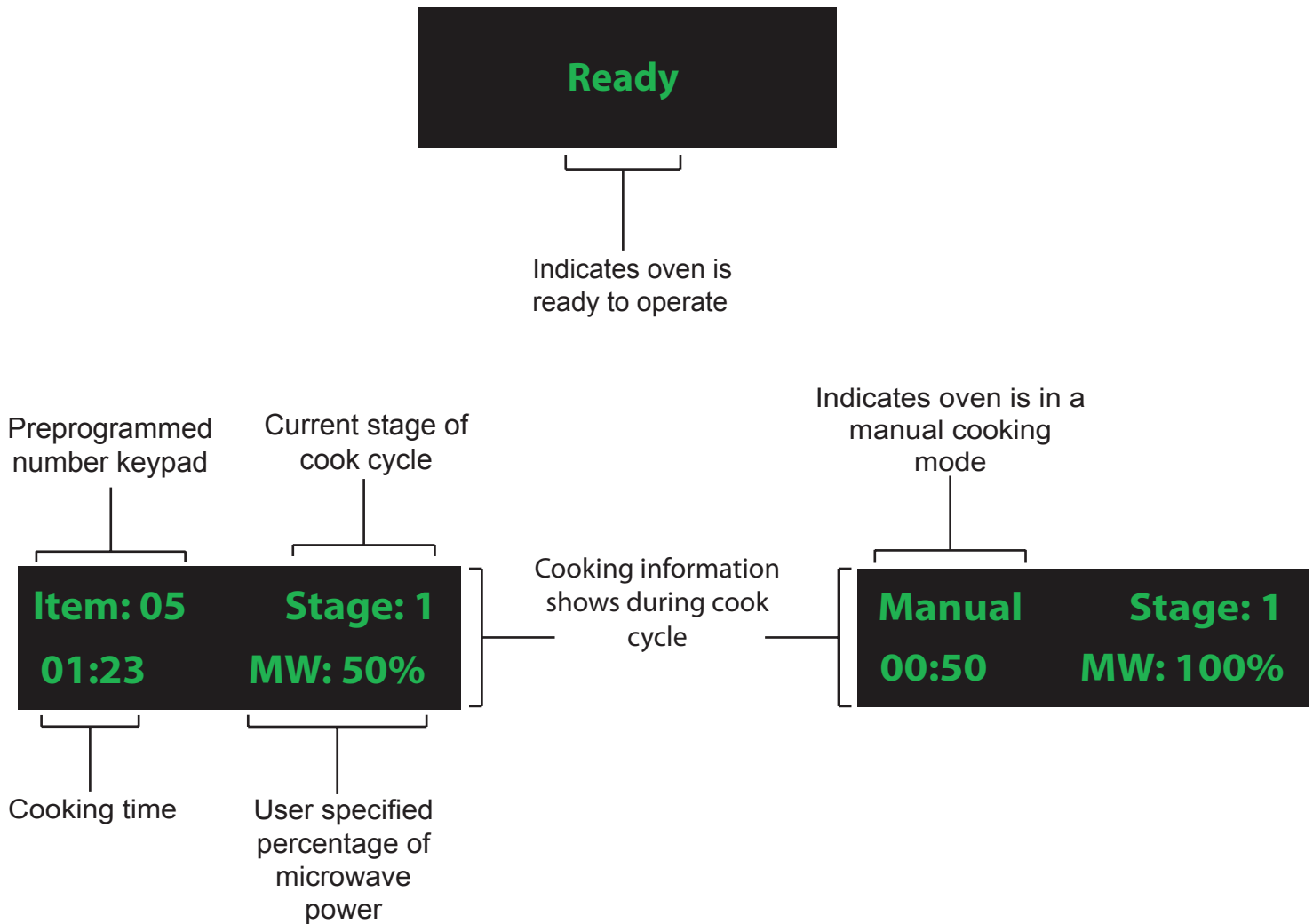


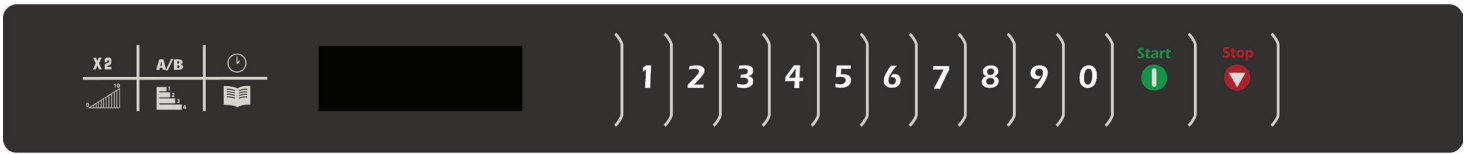


# Display and Features

---

## Microwave Oven Displays





## Manual Time Entry Pad

Time entry pad is used to enter cooking time for either manual entry or programming. Cooking time ranges from one second (00:01) to 60 minutes. If more than 60 minutes of total cooking time is required, open door and inspect food before beginning a new cooking cycle. Using manual time entry does not affect the programmed settings.



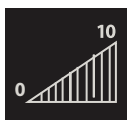
## Quantity Pad

The quantity pad automatically adjusts a preset cooking time for two servings of a food item. When pressed before a preprogrammed cooking cycle, the oven automatically adjusts the cook time. To clear, open the door or press the STOP pad. For instructions on how to use this feature, see the Preprogrammed Pads section on page 9 of this manual.



## A/B Pad

The A/B pad toggles menu selection between two sets of preprogrammed menu settings. Selecting Menu A allows preset programs 0 through 9 to operate using keypads 0 through 9. Selecting Menu B allows preset programs 10 through 19 to operate using keypads 0-9.



## Power Level Pad

The power level keypad allows the user to change the microwave power level for different stages of a cook cycle. For instructions on how to program the power level, see page 10 of the *Programming Oven Controls* section of this manual.



## Stage Cooking

A user can program up to four different stages combining both power levels and time changes per keypad. Each combination is known as a stage. See page 10 of the *Programming Oven Controls* section of this manual for more information about stage cooking.



## Program Save Pad

Programs or settings can be changed and saved based on a user's preference. For instructions on saving changes, see pages 9-11 of the *Programming Oven Controls* section of this manual.



## START Pad

The START pad is used to begin manual time entry for a cooking cycle.



## STOP Pad

The STOP pad stops a cooking sequence in progress, clears any remaining time, and also ends a programming option cycle.



## Hidden Key Pad

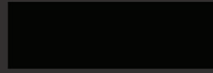
The hidden key pad can be used for adjusting oven controls based on user preferences. It is located to the right of the STOP pad. For instructions on how to use this, see page 11 of the *Programming Oven Controls* section of this manual.

## Control Knob

The control knob, located to the right of the number pads, can be used for several different purposes. If enabled, the user may turn the knob to either add or subtract time from the total cooking time. Or, the user may push on the knob to start a selected cooking cycle, if enabled.

To learn how to enable this feature, see pages 11 and 12 of the *Programming Oven Controls* section of this manual.

# Display and Features



## Single Pad Programming

Each numbered pad can be programmed for a specific food item, such as defrosting and then cooking vegetables or other frozen foods. To use this feature, program the pad to the desired length of time and power level. Press the pad once and the microwave will begin cooking. For instructions, see page 10 of the *Programming Oven Controls* section of this manual.



## Double Pad Programming

A maximum of 100 programs can be saved when this feature is enabled. Each entry will be assigned a double digit number, for example 01, 05, or 20. When double pad programming is enabled, two pads must be pressed to start the cooking cycle.



## USB Compatibility

A standard USB flash drive is compatible with the microwave oven. This feature allows the user to save preprogrammed settings and user options to the flash drive rather than programming the settings directly to the numeric keypads.



## Top or Bottom Only Cooking

Top Only or Bottom Only cooking allows the user to use only the top or bottom of the microwave during a cooking cycle. When "Top Only" is selected, only the top magnetrons operate. When "Bottom Only" is selected only the bottom magnetrons operate. See page 10 for more information about this feature.

## User Options

User options such as beep volume or the number of programmable pads can be changed and saved. To change different options, see page 11 of the *Programming Oven Controls* in this manual.

## Mid-Cycle Cooking Pause

The cooking pause is a feature unique to this series of microwaves. This pause enables extra ingredients to be added, cooking progress to be checked, or for food to sit for a necessary time between cooking cycles. During a mid-cycle cooking pause, the microwave beeps continuously and PROGRAM PAUSED displays until the oven door is opened and closed. To continue the cycle, press the START button. To utilize this feature, see the *Programming Oven Controls* section of this manual.



## What is stage cooking?

Stage cooking enables several different cooking cycles, or stages, to be used consecutively without repeated input from the user. Stage cooking can be set to defrost food initially, then cook it, and keep the food warm until serving time. The total cooking time for all combined stages cannot exceed 60 minutes. To learn how to use the stage cooking function, see page 10 of the *Programming Oven Controls* section of this manual.

# Using the Oven Controls

## Manual Time Entry

To cook food using a specific time and power level.

- Open oven door and place food in oven. Close door.
  - READY** displays. Fan and light will turn on.
- Press TIME ENTRY pad.
  - If pad does not work, open and close oven door and try again.
- Enter cooking time by using the numbered keypads.
- Press POWER LEVEL pad to change power level.
  - To change the microwave's power, press pads 1 (for 10%) through 9 (for 90%).
- If stage cooking is desired, press STAGE and repeat steps 2 through 4.
  - Up to four different stages can be programmed.
- Press START pad.
  - Oven operates and time counts down.
- At end of cooking cycle oven beeps and shuts off. **DONE** displays.



## Microwave Cooking

Microwave cooking uses high frequency energy waves to heat the food. When cooking, microwave energy causes food molecules to move rapidly. This rapid movement between the food molecules creates heat, which cooks the food.

### Is it safe to run a microwave if it is empty?

Running a microwave without a load can cause serious damage to electrical components. When food is placed in the oven, microwave energy generated by the magnetron is absorbed by the food. When no food is in the oven, there is nothing to absorb the energy. The energy bounces around the cavity and is channeled back through the waveguide. This can cause arcing, fire and may burn out the magnetron.

## Preprogrammed Pads

Cooking food using preprogrammed keypads.

For instructions on programming keypads, see page 10 of the *Programming Oven Controls* section of this manual.

- Open oven door and place food in oven. Close door.
  - READY** displays. Fan and light will turn on.
- Press desired pad.
  - For single pad entry, press only one pad.
  - For double pad entry, press the two pads representing the two digits.
  - To change single or double pad entry option see *User Options* section in this manual.
- When cooking two of the same food item, press the QUANTITY pad before a preprogrammed cook cycle. The oven will automatically adjust the program.
  - Display will read, "DOUBLE."
  - To clear, open and close the door or press the STOP pad
- Oven begins to cook.
  - For additional cooking time, press preprogrammed number pad again.
- At the end of the cooking cycle oven beeps and shuts off. **DONE** displays.



### How do you defrost food while using a commercial microwave?

Not all commercial microwaves have the defrost button that is commonly found on a residential microwave. To defrost, simply use 20% microwave power level.

### How do you know if a container is microwave safe?

To test if a container is microwave safe, place it in the microwave next to a container of water that is microwave safe. Run the microwave for one minute. If the tested container is warm or hot, it is not microwave safe.

### Factory Settings

Pad	Time	Pad	Time
1	10 sec.	6	1:30 min.
2	20 sec.	7	2 min.
3	30 sec.	8	3 min.
4	45 sec.	9	4 min.
5	1 min.	0	5 min.

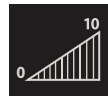


# Programming Oven Controls

## Programming Pads

Oven is shipped from the factory set for single pad programming. To change the oven default to double pad programming, see *User Option* section. To program the amount of time or power level setting for a pad:

1. **READY** must be in the display. If not, open and close door.
2. Press PROGRAM SAVE pad.
  - Programming mode begins
  - "Enter Program to Add/Review" displays
3. Press desired number pad to be programmed.
  - Display will show all settings for the pad
  - The pad number that is being programmed displays beside the word **ITEM**
4. Press TIME ENTRY to program amount of cooking time.
  - Enter desired cooking time by using numeric key pads
  - Maximum cooking time is 60 minutes
5. Press POWER LEVEL to program level of microwave power.
  - For a lower microwave power, press pads 1 (for 10%) through 9 (for 90%)
  - Press numeric key pad for desired level. Press same numeric key pad again to set power level to 100%
6. Press PROGRAM SAVE to save changes.
7. To discard changes, press STOP/RESET.



## Programming Top & Bottom Only Cooking

1. Push the POWER LEVEL pad. Select and program the preferred microwave power.
2. If the POWER LEVEL pad is pushed a second time, "Top Only" heating option will be selected and displayed.
3. If the POWER LEVEL pad is pushed a third time, "Bottom Only" heating is selected and displayed.
4. If the POWER LEVEL button is pushed a fourth time, the oven resets and both top and bottom will heat.

Top Only Cooking

Manual Stage: 1  
00:00 MW: 50%



Bottom Only Cooking

Manual Stage: 1  
00:00 MW: 50%



Top and Bottom Cooking

Manual Stage: 1  
00:50 MW: 100%



## Programming Multiple Stages

Stage cooking allows consecutive cooking cycles without interruption. Up to four different cooking cycles can be programmed into a memory pad.

To use stage cooking:

1. Follow steps 1 through 5 above.
6. Press STAGE.
  - This will begin programming for the next cooking stage
  - Display indicates stage to be programmed
  - Enter cook time and power level as in steps 4 and 5
  - To enter another cooking stage for that pad, press STAGE pad again
  - Up to four different stages can be programmed
  - Total cooking time (all stages totaled) is 60 minutes
7. Press PROGRAM SAVE to save the programming and changes.
8. To discard changes, press STOP/RESET before pressing PROGRAM SAVE.



# Programming Oven Controls

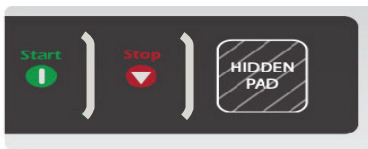
## Mid-Cycle Cooking Pause

To add a pause to a programmed cook cycle:

1. Press HIDDEN PAD after entering time or power level.
2. A short beep sounds. This indicates the program is set for a mid-cycle pause.
3. Continue programming pad as desired.

To remove a pause from a programmed cook cycle:

1. Press HIDDEN PAD after entering time or power level.
2. A short beep sounds. This indicates that the mid-cycle has been removed.
3. Continue programming as desired.



Hidden Key Pad

## Using the USB Flash Drive

1. **READY** must be in the display. If not, open and close door.
2. Open the oven door completely.
3. Insert USB flash drive.
4. Press and hold the 5 pad until "USB" appears on the display.
5. To transfer programming **FROM** the USB flash drive **TO** the oven, press the 1 pad.
  - Or to transfer programming **TO** the **USB** flash drive **FROM** the oven, press the 2 pad.
6. Push the START pad to begin transfer.
  - Display will read, "Contacting USB card."
  - Display will then read, "Transferring data from USB to oven," or vice versa.
7. Once programming has been successfully transferred, display will read, "Done - Loaded \_\_\_ Programs."
  - Shut the door to clear the display and begin cooking cycle
8. Error codes:
  - **No file:** USB flash drive is empty or does not have the correct file(s) required for operation.



## Changing User Options

Options such as single and double pad programming or beep volume can be changed to suit individual preferences.

**If oven has just been turned on, door must be opened and closed before proceeding:**

1. Press firmly on hidden pad located to the right of the STOP keypad.
  - Pad is unmarked
  - The display remains the same when hidden pad is pressed
2. Press PROGRAM SAVE pad.
  - The first user option will display. Oven is now in options mode.
3. Press desired number pad to control changes in options.
  - See table on next page for options
  - Current option will display
4. Press the same number pad again to disable or enable the setting.
  - Each time the pad is pressed the option will change
  - To change additional options repeat steps 3 and 4
5. Press PROGRAM SAVE to return to READY mode, changes take effect immediately. To exit without saving, press the STOP pad.



# User Options Table

Numbered Pads	Displays	Options
<b>1</b> Double Digit Entry	Disabled Enabled	<b>Allows 10 (0-9) preprogrammed pads</b> Allows 100 (00-99) preprogrammed pads
<b>2</b> Manual Programming	Disabled <b>Enabled</b>	Manual time entry/cooking not allowed <b>Manual time entry/cooking allowed</b>
<b>3</b> Reset on Door Open	Disabled Enabled	<b>Opening oven door does not reset oven back to READY mode</b> Opening oven door resets the oven back to READY mode
<b>4</b> Key Beep	OFF <b>ON</b>	Keys do not beep when pressed <b>Keys beep when pressed</b>
<b>5</b> Speaker Volume	OFF LOW MEDIUM <b>HIGH</b>	Key beep volume OFF Key beep volume LOW Key beep volume MEDIUM <b>Key beep volume HIGH</b>
<b>6</b> End of Cook Signal	<b>Solid Beep</b> 3 Second Beep 4 Beeps Once 4 Beeps Repeating	<b>Done signal is a continuous beep until reset by user</b> Done signal is a three second beep Done signal is four beeps continuously Done signal is four beeps, four times
<b>7</b> Keyboard Active	15 Seconds 30 Seconds <b>60 Seconds</b> 120 Seconds Always	Keypad time entry window is 15 seconds Keypad time entry window is 30 seconds <b>Keypad time entry window is one minute</b> Keypad time entry window is two minutes Keypad time entry window is always active
<b>8</b> On-The-Fly Knob	Disabled Enabled	<b>Disables turning the knob to enter manual mode</b> Allows turning the knob to enter manual time entry mode, allows pressing knob to start oven and allows turning the knob to add time before starting a cook cycle
<b>9</b> Manual Knob	Disabled <b>Enabled</b>	Disables knob completely <b>Enables knob according to Option 8</b>
<b>0</b> Top or Bottom Cooking	Disabled Enabled	<b>Disables the use of top or bottom only cooking</b> Enables the use of top or bottom only cooking
<b>Time Entry Pad</b> On-The-Fly Cook	Disabled Enabled	<b>Disables pushing any additional keypads during a cook cycle</b> Allows pushing additional keypads to add or change time in the middle of a cook cycle without stopping
<b>X2 Pad</b> X2 Prompt	Disabled <b>Enabled</b>	Disables X2 prompt <b>Enables X2 prompt</b>
<b>A/B Pad</b> A/B Menus	Disabled Enabled	<b>Disables A/B Menus</b> Enables A/B Menus
<b>Power Level Pad</b> Return to Menu	<b>A</b> B Last Selected	<b>Return to Menu A</b> Return to Menu B Return to last selected menu
<b>Stage Pad</b> Clean Filter Message (Frequency)	Disabled <b>Weekly</b> Monthly Quarterly	Oven will not display CLEAN FILTER <b>Oven will display CLEAN FILTER every seven days</b> Oven will display CLEAN FILTER every 30 days Oven will display CLEAN FILTER every 90 days

Options in bold are factory default.

# Care and Cleaning

## Cleaning Interior, Exterior and Door

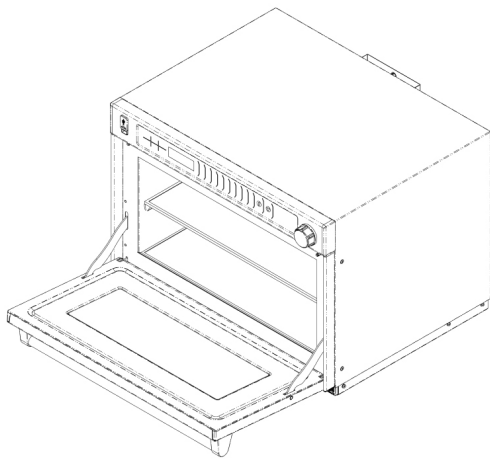
Clean microwave oven with mild detergent in warm water using a soft sponge or cloth. Wring sponge or cloth to remove excess water before wiping equipment. If desired, boil a cup of water in microwave oven to loosen soil before cleaning. **DO NOT allow cooking residues such as grease or fat to remain in oven interior for any length of time.**

- Do NOT allow cooking residues to remain in oven cavity.
- Do NOT use abrasive cleansers or cleaners containing ammonia, as they may cause damage.
- NEVER pour water into microwave oven bottom.
- Do NOT use water pressure type cleaning systems.

## Cleaning Air Intake Filter

Clean air intake filters weekly for proper air flow. Do NOT use oven without filters in place.

- There are two magnetic filters below the oven door.
- Wash the filters using a washcloth with hot water and mild detergent, or in a warewasher.



### CAUTION

To avoid risk of product damage, clean air filters regularly.

### CAUTION

To avoid electrical shock which can cause personal injury, unplug power cord or open circuit breaker to oven before cleaning.

### CAUTION

To avoid risk of product damage, do not operate oven without splatter shield in place. Arcing will damage oven cavity and antennas when operated without shield in place.



# Before Calling for Service

## **WARNING**

To avoid electrical shock which can cause severe personal injury or death, do not remove outer case at any time. Only an authorized servicer should remove outer case.

<b>Problem</b>	<b>Possible Cause</b>
Oven does not operate.	<p>Confirm oven is plugged into dedicated circuit.</p> <p>Confirm oven is on grounded and polarized circuit (Contact electrician to confirm).</p> <p>Check circuit breaker.</p>
Oven operates intermittently.	Check air filter and discharge areas for obstructions.
If oven does not accept entries when pad is pressed.	<p>Make sure oven is on.</p> <p>Open and close door. Press pad again.</p>
If oven malfunctions or shows CALL SERVICE or an ERROR with a number	<p>Oven control is equipped with self-diagnostic system. Self-diagnostic system alerts you if there is a problem or error. When electronic control signals a problem, follow steps listed below:</p> <ol style="list-style-type: none"> <li>1. Record number shown.</li> <li>2. Unplug oven. Wait one (1) minute. Plug in oven               <ul style="list-style-type: none"> <li>- Disconnecting electrical supply may eliminate service code.</li> </ul> </li> </ol> <p>If failure continues, contact ComServ at 1-866-426-2621 or an authorized ACP servicer.</p>
Oven operates but does not heat food.	<p>Place one cup of water in oven.</p> <p>Run for one (1) minute at full power (100%)</p> <p>If temperature does not rise, oven is not operating correctly. Contact ComServ at 1-866-426-2621 or an authorized ACP servicer.</p>
HOT displays	Oven's magnetron is overheated. Oven automatically interrupts cooking sequence and turns on cooling fan until normal temperature is reached. When magnetrons cool to normal temperature, oven returns to READY mode.
CALL SERVICE (flashing after cook cycle)	Oven may not be operating at full power. Contact ComServ at 1-866-426-2621 or an ACP authorized servicer.

# Cooking Instructions

---

## Steaming Tips:

### 1. Cooking Vessels

- a) Always heat or cook food items in covered containers to accomplish:
  - Retention of steam for efficient cooking and to keep foods moist
  - Even cooking results and temperatures
  - A cleaner oven interior and prevention of food splatters
- b) Ceramic, paper, china, styrofoam, glass and plastic are suitable materials for use in microwave ovens. A high temperature resistant amber pan is recommended for ALL items, especially those high in fat or sugar content, as these ingredients get hot very quickly.

### 2. Food Temperature

- a) To reach a mandatory serving temperature, frozen foods require a longer cook time than refrigerated items.
- b) Refrigerated items:
  - Items stored at 40°F (4°C) in the refrigerator should be covered while heated; except breads, pastries or any products with a breaded coating, which should be heated uncovered to avoid softening.
- c) Room temperature items:
  - Foods held at room temperature, such as canned items or vegetables, will require less time to heat than refrigerated items.
- d) Conventionally prepared foods should be slightly undercooked to prevent overcooking when rethermed by microwave steaming.
- e) After a steaming cycle has been completed, internal food temperatures continue to slightly rise due to the presence of steam.

### 3. Structure of Food

- a) Food items that are high in fat, sugar, salt and moisture attract and quickly absorb microwave energy, allowing for a shorter cook time.
- b) Items high in protein or fiber require a longer cook time, due to a slower absorption of microwave energy.

### 4. Quantity

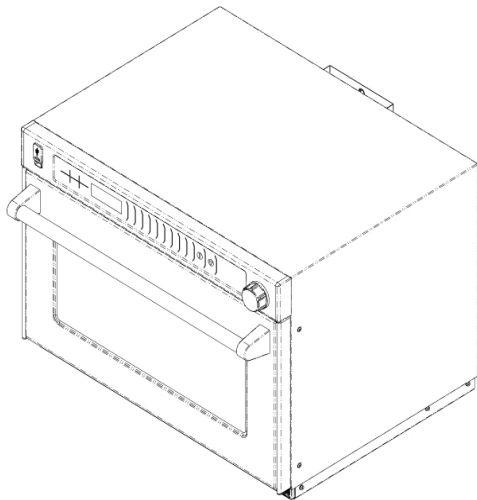
- a) As the mass of food increases, so will the necessary cook time.

Refer to and comply with all USDA/FDA Food Code guidelines when cooking or heating food items.



# Manuel de l'utilisateur

**CE FOUR A ÉTÉ CONÇU POUR UNE UTILISATION COMMERCIALE UNIQUEMENT**



## Four à micro-ondes commercial

Veillez conserver ces instructions pour toute référence ultérieure. Si l'équipement change de propriétaire, le manuel doit obligatoirement être fourni avec le four.

### Table des matières

Identification du modèle .....	2
Précautions à prendre pour éviter toute exposition potentielle à une énergie excessive du four à micro-ondes .....	2
Importantes consignes de sécurité	3-4
Instructions sur la mise à la terre .....	5
Installation .....	5
Affichage et fonctionnalités .....	6-8
Utilisation des commandes du four ..	9
Programmation des commandes du four .....	10-11
Modification des options de l'utilisateur .....	11
Tableau des options de l'utilisateur .	12
Entretien et nettoyage .....	13
Avant d'appeler le centre de service	14

# Identification du modèle

Lorsque vous contactez ACP, veuillez fournir les informations relatives au produit. Vous trouverez ces informations sur la plaque signalétique du four. Prenez note des informations suivantes:

Numéro de modèle: \_\_\_\_\_

Numéro de fabrication: \_\_\_\_\_

Numéro de série (S/N): \_\_\_\_\_

Date de l'achat: \_\_\_\_\_

Nom et adresse du revendeur: \_\_\_\_\_

Pour toute information supplémentaire ou pour localiser un centre de service autorisé ACP, composez le numéro sans frais suivant +1-866-426-2621 aux États-Unis ou au Canada, ou le +1-319-368-8120 en dehors des USA ou du Canada. Les services sous garantie doivent être exécutés par un centre de service agréé ACP. ACP recommande également de contacter un agent de service agréé par ACP si le service requis a lieu après l'expiration de la garantie.

## IMPORTANTES CONSIGNES DE SÉCURITÉ



Utilisé pour vous avertir des risques de blessures potentiels. Respecter tous les messages de sécurité qui suivent ce symbole pour éviter tout risque de blessures graves voire mortelles. Lorsque vous utilisez un four électrique, vous devez prendre des précautions élémentaires de sécurité afin de réduire les risques de brûlures, d'incendies, de chocs électriques, de blessures à des personnes.

## PRÉCAUTIONS À PRENDRE POUR ÉVITER TOUTE EXPOSITION POTENTIELLE AUX EXCÈS D'ÉNERGIE DU MICRO-ONDES

- A. **NE PAS** utiliser ce four avec la porte ouverte. Toute utilisation avec la porte ouverte peut entraîner une exposition dangereuse à l'énergie du micro-ondes. Il est important de ne pas manipuler ni altérer les dispositifs de sécurité.
- B. **NE PAS** placer d'objets entre la partie frontale du four et la porte ou laisser des résidus de produits de nettoyage ou des impuretés s'accumuler sur les surfaces d'étanchéité.
- C. **NE PAS** utiliser le four s'il est endommagé. Il est particulièrement important que la porte du four se ferme correctement et qu'il n'y ait pas de trace de dommages aux éléments suivants:
  - 1. porte (pliée)
  - 2. charnières et verrous (brisés ou desserrés)
  - 3. joints de porte et surfaces d'étanchéité.
- D. Le four doit obligatoirement être ajusté ou réparé par un personnel de service qualifié en la matière.

## IL EST IMPORTANT DE CONSERVER CES INSTRUCTIONS



# IMPORTANTES CONSIGNES DE SÉCURITÉ



Utilisé pour vous avertir des risques de blessures potentiels. Respecter tous les messages de sécurité qui suivent ce symbole pour éviter tout risque de blessures graves voire mortelles.



## AVERTISSEMENT

Lorsque vous utilisez un four électrique, vous devez prendre des précautions élémentaires de sécurité afin de réduire les risques de brûlures, d'incendies, de chocs électriques, de blessures à des personnes.

- LISEZ** toutes les instructions avant d'utiliser l'équipement.
- LISEZ ET OBSERVEZ LES « PRÉCAUTIONS POUR ÉVITER TOUTE EXPOSITION POTENTIELLE À UNE ÉNERGIE EXCESSIVE DU FOUR À MICRO-ONDES »** à la page 2.
- Cet équipement **DOIT ÊTRE MIS À LA TERRE**. Branchez-le uniquement à une prise qui est correctement **MISE À LA TERRE**. Voir « **INSTRUCTIONS POUR LA MISE À LA TERRE** » à la page 5.
- Installez cet appareil **UNIQUEMENT** selon les instructions d'installation stipulées dans ce manuel.
- Certains produits, tels que des œufs entiers et des conteneurs scellés (comme par ex. des bocaux en verre fermés) peuvent exploser et **NE DOIVENT PAS ÊTRE CHAUFFÉS** dans le four.
- Utilisez cet équipement **UNIQUEMENT** pour l'emploi auquel il a été destiné et selon les informations stipulées dans ce manuel. N'utilisez pas de produits chimiques ni de vapeurs corrosives dans cet équipement. Ce type de four a été spécifiquement conçu pour chauffer, cuisiner ou sécher des aliments. Il n'est pas destiné à être utilisé en milieu industriel ni en laboratoire.
- Comme pour n'importe quel autre équipement, lorsque des **ENFANTS** se servent du four, il faut les **SURVEILLER ÉTROITEMENT**.
- NE PAS** utiliser ce four si le cordon ou la fiche sont endommagés, s'il ne fonctionne pas correctement, s'il a subi des dommages ou s'il est tombé.
- Cet équipement, y compris le cordon d'alimentation, doit être réparé **UNIQUEMENT** par un personnel de service qualifié. Des outils spéciaux sont requis pour réparer l'équipement. Veuillez contacter le centre de service agréé le plus proche de chez vous pour faire examiner, réparer ou régler le four.
- NE PAS** recouvrir ou bloquer le filtre ni toute autre ouverture sur le four.
- NE PAS** placer cet équipement à l'extérieur. **NE PAS** utiliser ce four près de l'eau, comme par exemple près d'un évier de cuisine, dans un sous-sol humide ou près d'une piscine.
- NE PAS** immerger le cordon ni la fiche dans l'eau.
- Il faut veiller à ce que le cordon soit tenu **À DISTANCE** des surfaces **CHAUFFANTES**.
- NE PAS** laisser le cordon pendre sur le bord d'une table ou d'un comptoir.
- Voir les instructions de nettoyage de la porte à la page
- Lorsque des enfants effectuent les opérations de nettoyage et d'entretien, surveillez-les étroitement.
- Pour réduire le risque d'incendie dans la cavité du four:
  - NE PAS** chauffer les aliments à l'excès. Surveillez le four attentivement si du papier, du plastique ou d'autres matériaux combustibles sont placés à l'intérieur du four pour en faciliter la cuisson.
  - Retirer les liens twists des sacs en papier ou en plastique avant de placer ces derniers dans le four.
  - Si des matériaux à l'intérieur du four s'enflamment, gardez la porte du four **FERMÉE**, mettez le four hors tension et
- débranchez le cordon d'alimentation ou coupez le courant au niveau du panneau électrique.
- NE PAS** utiliser la cavité pour ranger des affaires. **NE PAS** laisser de produits en papier, d'ustensiles de cuisine ou de la nourriture dans la cavité quand le four n'est pas utilisé.
- Pour utilisation commerciale uniquement.
- Il est dangereux pour quiconque autre qu'une personne compétente d'effectuer des services ou des opérations de réparation qui impliquent la suppression de couvercle offrant une protection contre l'exposition à l'énergie des micro-ondes.
- Si la porte ou les joints de la porte sont endommagés, le four ne doit pas être utilisé jusqu'à ce qu'ils aient été réparés par une personne compétente.
- L'appareil ne doit pas être utilisé par les enfants de 8 ans et moins ou les personnes dont les capacités physiques, sensorielles ou mentales sont réduites ou si elles manquent d'expérience et de connaissances, à moins qu'elles ne soient sous supervision ou aient reçu des instructions.
- Les enfants ne doivent pas jouer avec l'appareil.
- Utilisez uniquement des ustensiles adaptés au four à micro-ondes.
- Lorsque vous réchauffez des aliments dans des récipients en plastique ou en papier, surveillez le four au cas où les articles prendraient feu.
- Si de la fumée se dégage, éteignez ou débranchez l'appareil et gardez la porte bien fermée pour étouffer les flammes.
- Si le four n'est pas maintenu dans un bon état de propreté, ce qui pourrait détériorer la surface, affecter la durée utile de l'appareil et provoquer une situation dangereuse.
- L'appareil ne doit pas être nettoyé avec un jet d'eau (pour les appareils destinés à rester sur le sol et qui ne satisfont pas au minimum aux exigences IPX5).
- Les liquides ou les aliments ne doivent pas être réchauffés dans des récipients fermés sous risque d'exploser.
- Le réchauffement de boissons au micro-ondes peut entraîner une ébullition retardée soudaine, en conséquence, il faut manipuler le récipient avec soin.

### Pour les fours mixtes uniquement:

- NE PAS** insérer d'aliments ou d'ustensiles surdimensionnés dans un four micro-ondes/à convection, sous risque de déclencher un incendie, un arc électrique, ou des chocs électriques.
- NE PAS** nettoyer avec des tampons à récurer métalliques. Des pièces peuvent se détacher du tampon et toucher les pièces électriques entraînant des chocs électriques.
- NE PAS** utiliser de produits de papier non destinés à la cuisson à haute température lorsque l'équipement est utilisé en mode mixte ou à convection.
- NE PAS** placer d'articles autres que les accessoires recommandés par le fabricant, dans cet équipement lorsqu'il n'est pas utilisé.
- NE PAS** couvrir une partie du four avec des feuilles d'aluminium. Le four surchauffera si le débit d'air est limité.
- NE PAS** pulvériser de solutions de nettoyage pour four vers la surface interne arrière de la cavité. Les éléments chauffants de convection risquent d'être contaminés et de subir des dommages.

# IL EST IMPORTANT DE CONSERVER CES INSTRUCTIONS

# IMPORTANTES CONSIGNES DE SÉCURITÉ

## ▲ AVERTISSEMENT

Pour réduire le risque d'incendie dans la cavité du four:

- a. **NE PAS** chauffer les aliments à l'excès. Surveillez le four attentivement si du papier, du plastique ou d'autres matériaux combustibles sont placés à l'intérieur du four pour en faciliter la cuisson.
- b. Retirer les attaches des sacs en papier ou en plastique avant de placer ces derniers dans le four.
- c. Si les matériaux à l'intérieur du four s'enflamment, maintenir la porte du four fermée **FERMÉE**, éteindre le four et débrancher le cordon d'alimentation ou couper le courant au niveau du panneau électrique.
- d. **NE PAS** utiliser la cavité pour ranger des affaires. **NE PAS** laisser de produits en papier, d'ustensiles de cuisine ou de la nourriture dans la cavité quand le four n'est pas utilisé.

## ▲ AVERTISSEMENT

En raison de la tension des liquides, tels que l'eau, le café ou le thé peuvent surchauffer au-delà du point d'ébullition sans sembler bouillir. Lorsque le récipient est retiré du four à micro-ondes, il est possible que les bulles ou l'ébullition ne soient pas visibles. **CES LIQUIDES TRÈS CHAUDS DÉBORDENT ALORS SOUDAINEMENT LORSQUE VOUS PLACEZ UNE CUILLÈRE OU UN AUTRE USTENSILE DANS LE LIQUIDE.** Pour réduire le risque de blessures aux personnes:

- i) Ne pas surchauffer le liquide.
- ii) Remuer le liquide avant et pendant le chauffage, à la moitié du temps.
- iii) Ne pas utiliser de récipients aux parois droites avec un goulot étroit.
- iv) Après le chauffage, laisser reposer le récipient dans le four à micro-ondes pendant quelques instants avant de retirer le récipient.
- v) Prendre toutes les précautions nécessaires lors de l'insertion d'une cuillère ou un autre ustensile dans le récipient.

## ▲ MISE EN GARDE

Pour éviter toute blessure personnelle ou tout dommage matériel, respectez les consignes suivantes:

1. N'utilisez pas le four pour la friture. La graisse pourrait surchauffer et la manipulation en est dangereuse.
2. Ne pas cuire ni réchauffer des œufs en coquille ou un jaune d'œuf entier dans le four à micro-ondes. La pression peut s'accumuler et provoquer une éruption. Percez le jaune d'œuf avec une fourchette ou un couteau avant de cuire l'œuf.
3. Percez la peau des pommes de terre, des tomates et des aliments de ce type avant de les passer au four à micro-ondes. Lorsque la peau est percée, la vapeur s'échappe de manière uniforme.
4. Ne pas utiliser le four sans charge ni nourriture à l'intérieur.
5. Utilisez uniquement du maïs soufflé dans un emballage désigné et étiqueté pour micro-ondes. **La durée de cuisson du maïs varie en fonction de la puissance en watts du four.** Ne pas continuer à chauffer le maïs lorsqu'il a cessé d'éclater. Le maïs soufflé brûlera. Ne pas laisser le four sans surveillance.
6. Ne pas utiliser de thermomètres de cuisson standard dans le four. La plupart des thermomètres de cuisson contiennent du mercure et peuvent provoquer un arc électrique, un dysfonctionnement ou endommager le four.
7. Ne pas utiliser d'ustensiles métalliques dans le four.
8. Ne jamais utiliser de papier, de plastique ou d'autres matériaux combustibles qui ne sont pas destinés à la cuisson.
9. Lors de cuisson avec du papier, du plastique ou d'autres matériaux combustibles, respecter les recommandations du fabricant sur l'emploi du produit.
10. Ne pas utiliser de serviettes de papier contenant du nylon ou d'autres fibres synthétiques. Les fibres synthétiques réchauffées pourraient fondre et enflammer le papier.
11. Ne pas chauffer de conteneurs scellés ou de sacs en plastique dans le four. La nourriture ou le liquide pourraient rapidement se dilater, prendre de l'ampleur et briser le conteneur ou le sac. Percer ou ouvrir le conteneur ou le sac avant de chauffer.
12. Pour éviter le dysfonctionnement des stimulateurs cardiaques, consulter le médecin ou le fabricant du stimulateur cardiaque sur les effets de l'énergie du micro-ondes sur le stimulateur cardiaque.
13. Un technicien autorisé **DOIT** inspecter l'équipement une fois par an. Enregistrez toutes les inspections et réparations à titre de référence ultérieure.

# IL EST IMPORTANT DE CONSERVER CES INSTRUCTIONS

# INSTRUCTIONS IMPORTANTES SUR LA SÉCURITÉ



## AVERTISSE-

Afin de réduire les risques de brûlures, de décharge électrique, d'incendie ou de blessures lors de l'utilisation d'équipement électrique, il convient de suivre des précautions de base sur la sécurité.

1. **LIRE** toutes les instructions avant d'utiliser l'équipement.
2. **LIRE ET SUIVRE** les « **PRÉCAUTIONS À PRENDRE POUR ÉVITER UNE EXPOSITION À UN EXCÈS D'ÉNERGIE MICRO-ONDES** » spécifiques, de la page 13.
3. Cet équipement **DOIT ÊTRE MIS À LA TERRE**. Connecter seulement à une prise correctement  
**MISE À LA TERRE**. Voir « **INSTRUCTIONS DE MISE À LA TERRE** » à la page 16.
4. Installer ou placer cet équipement **SEULEMENT** conformément aux instructions d'installation de ce manuel.
5. Certains produits, comme des oeufs entiers ou des contenants scellés — par exemple, des pots en verre fermés — pourraient exploser et **NE DOIVENT PAS** être **RÉCHAUFFÉS** dans ce four.
6. Utiliser cet équipement **UNIQUEMENT** pour son usage prévu, comme il est décrit dans ce manuel. Ne pas utiliser de vapeurs ou de produits chimiques corrosifs dans cet équipement. Ce type de four est conçu spécifiquement pour réchauffer, cuire ou sécher des aliments. Il n'est pas conçu pour un usage industriel ou de laboratoire.
7. Comme pour tout équipement, une **SURVEILLANCE ATTENTIVE** est requise lorsque utilisé par des **ENFANTS**.
8. **NE PAS** utiliser cet équipement si la fiche ou le cordon sont endommagés, s'ils ne fonctionnent pas correctement, s'il a été endommagé ou s'il est tombé.
9. Cet équipement, y compris son cordon d'alimentation, doit être réparé **UNIQUEMENT** par du personnel de service qualifié. Des outils spéciaux sont requis pour réparer cet équipement. Contacter le centre de service autorisé le plus près pour faire examiner, réparer ou ajuster.
10. **NE PAS** couvrir ou bloquer le filtre (le cas échéant) ou les autres ouvertures sur cet équipement.
11. **NE PAS** ranger cet équipement à l'extérieur. **NE PAS** utiliser ce produit à proximité de l'eau — comme par exemple à proximité d'un évier de cuisine, dans un sous-sol humide, à proximité d'une piscine ou d'un emplacement semblable.
12. **NE PAS** immerger le cordon ou la prise dans l'eau.
13. Garder le cordon **LOIN** des surfaces **CHAUFFÉES**.
14. **NE PAS** laisser le cordon pendre sur le rebord d'une table ou d'un comptoir.
15. Voir les instructions de nettoyage à la page 16. Le nettoyage et l'entretien utilisateur ne doivent pas être faits par des enfants sans surveillance.
16. Éviter les risques d'incendie dans la cavité du four :
  - a. **NE PAS** trop faire cuire les aliments. Surveiller attentivement le four lorsque du papier, du plastique ou d'autres matériaux combustibles sont placés dans le four pour faciliter la cuisson.
  - b. Enlever les liens torsadés des sacs en papier ou en plastique avant de placer un sac dans le four.
  - c. Si des matériaux à l'intérieur du four venaient à prendre feu, garder la porte du four **FERMÉE**, éteindre le four et débrancher le cordon d'alimentation ou couper le courant au niveau du fusible ou du disjoncteur.
  - d. **NE PAS** utiliser la cavité du four comme lieu d'entreposage. **NE PAS** laisser de produits en papier, d'ustensiles de cuisson ou d'aliments dans la cavité du four lorsqu'il n'est pas utilisé.
17. Pour une utilisation commerciale seulement.
18. Il est dangereux pour toute personne qui ne possède pas la qualification requise d'effectuer toute opération d'entretien ou de réparation nécessitant la dépose de tout couvercle de protection contre l'exposition au rayonnement des micro-ondes.
19. Si la porte ou les joints d'étanchéité de la porte sont endommagés, cesser d'utiliser le four jusqu'à sa réparation par une personne qualifiée.
20. L'appareil ne doit pas être utilisé par des enfants âgés de 8 ans et moins ou des personnes dont les capacités physiques, sensorielles ou mentales sont réduites ou qui n'auraient pas l'expérience ni les connaissances requises, à moins qu'elles ne soient surveillées ou reçoivent les instructions.
21. Ne pas laisser les enfants jouer avec l'appareil.
22. Utiliser uniquement des ustensiles qui sont adaptés pour une utilisation dans un four à micro-ondes.
23. Lors de la cuisson d'aliment dans des récipients en plastique ou en papier, surveiller la cuisson pour éviter tout risque de combustion.
24. En cas de fumée, arrêter l'appareil ou le débrancher en gardant la porte fermée pour étouffer toute flamme.
25. Si le four n'est pas entretenu pour le maintenir propre, cela risque d'entraîner une détérioration de la surface et d'affecter ainsi la durée de vie de l'appareil, aussi bien que de créer une situation dangereuse.
26. Ne pas nettoyer l'appareil avec un jet d'eau (pour les appareils conçus pour être posés sur le sol et qui ne sont pas classés au moins IPX5).
27. Ne pas chauffer de liquides ou d'aliments dans des récipients hermétiques car ces derniers risquent d'exploser.
28. Chauffer des boissons dans un four à micro-ondes peut provoquer un retard d'ébullition, par conséquent prendre toutes les précautions nécessaires lors de la manipulation du récipient.

### Fours combinés seulement :

29. **NE PAS** insérer des aliments ou des ustensiles de taille excessive dans un four à micro-ondes / convection, car ils peuvent provoquer un incendie, un arc électrique ou créer un risque de décharge électrique.
30. **NE PAS** nettoyer avec des tampons à récurer en laine métallique. Des morceaux de tampon risquent d'être arrachés et d'entrer en contact avec des pièces, créant ainsi un risque de décharge électrique.
31. **NE PAS** utiliser des produits en papier qui ne sont pas conçus pour tolérer des hautes températures de cuisson, lorsque l'équipement est utilisé en mode de convection ou combiné.
32. **NE PAS** ranger d'articles, autres que ceux recommandés par le fabricant, dans cet équipement lorsqu'il n'est pas utilisé.
33. **NE PAS** couvrir une partie quelconque du four avec du papier d'aluminium. Une restriction du débit d'air fait surchauffer le four.
34. **NE PAS** vaporiser de solutions nettoyantes du four vers la surface de la cavité intérieure arrière. Ceci contamine et endommage le dispositif de chauffage du système de convection.

## CONSERVER CES INSTRUCTIONS

# INSTRUCTIONS IMPORTANTES SUR LA SÉCURITÉ



Afin d'éviter des blessures ou des dommages, observer les instructions de sécurité suivantes :

## Usage général :

1. **Ne pas** utiliser de thermomètres de cuisson réguliers dans le four. La plupart des thermomètres de cuisson contiennent du mercure qui peut causer un arc électrique, un mauvais fonctionnement ou endommager le four.
2. Ne jamais utiliser de papier, de plastique ou d'autres matériaux combustibles qui ne sont pas conçus pour la cuisson.
3. Lors d'une cuisson avec du papier, du plastique ou d'autres matériaux combustibles, suivre les recommandations du fabricant sur l'utilisation du produit.
4. **Ne pas** utiliser des serviettes en papier qui contiennent du nylon ou d'autres fibres synthétiques. Des produits synthétiques chauffés pourraient fondre et enflammer le papier.
5. Afin d'éviter la détérioration des surfaces, garder le four propre. Un nettoyage irrégulier pourrait nuire à la durée de vie de l'appareil et même entraîner des situations à risque.
6. Nettoyer le four régulièrement et enlever tout dépôt de nourriture.

## Cuisson d'aliments et de liquides :

7. Les liquides comme l'eau, le café ou le thé peuvent être surchauffés au-delà du point d'ébullition sans indiquer de bouillonnement, étant donnée la tension de surface du liquide. Des bulles ou une ébullition ne sont pas toujours visibles lorsque le contenant est retiré du four à micro-ondes. **CECI PEUT ENTRAÎNER UNE ÉBULLITION SOUDAINES LORSQU'UNE CUILLÈRE OU UN AUTRE USTENSILE EST INTRODUIT DANS LE LIQUIDE.** Afin de réduire le risque de blessures :
  - a. Ne pas surchauffer le liquide.
  - b. Mélanger le liquide avant et pendant le réchauffement.
  - c. Ne pas utiliser des contenants aux parois droites et au col étroit.
  - d. Après avoir réchauffé, laisser le contenant dans le four à micro-ondes pendant quelques instants avant de le retirer.
  - e. Insérer une cuillère ou un autre ustensile dans le contenant avec beaucoup de précautions.
8. **Ne pas** faire frire en friture profonde dans le four. Le gras pourrait surchauffer et sa manipulation pourrait être dangereuse.
9. **Ne pas** cuire ou recuire des oeufs dans leur coquille ou un jaune non brisé en utilisant de l'énergie micro-ondes. La pression peut s'accumuler et causer une éruption. Percer les jaunes avec une fourchette ou un couteau avant de cuire.
10. Percer la peau des pommes de terre ou d'autres aliments semblables avant de les cuire avec de l'énergie micro-ondes, pour permettre à la vapeur de s'échapper.
11. **Ne pas** chauffer de contenants ou de sacs en plastique fermés

hermétiquement dans le four. La nourriture ou le liquide pourrait prendre de l'expansion et briser le sac ou le contenant. Percer ou ouvrir le contenant avant de le chauffer.

12. **Ne pas** chauffer des biberons dans de four.
13. Les pots d'aliments pour bébés doivent être ouverts lorsqu'ils sont réchauffés et leur contenu mélangé ou brassé avant d'être consommé afin d'éviter les brûlures.
14. Ne jamais utiliser le four pour chauffer de l'alcool ou des aliments qui contiennent de l'alcool, car ce dernier risque de s'enflammer plus facilement lorsqu'il est surchauffé.

## Instructions de sécurité supplémentaires pour le four à micro-ondes :

15. **Ne pas** utiliser l'équipement sans charge ou sans nourriture dans la cavité du four.
16. Utiliser seulement du maïs soufflé dans des sacs conçus et étiquetés pour une utilisation au micro-ondes. **Le temps d'éclatement varie selon la puissance du four. Ne pas continuer la cuisson une fois l'éclatement terminé.** Sinon le maïs soufflé va roussir ou brûler. Ne pas laisser le four sans surveillance.
17. **Ne pas** utiliser d'ustensiles en métal dans le four.
18. Un réparateur autorisé DOIT inspecter l'équipement manuellement. Enregistrer toutes les inspections et les réparations pour une utilisation future.

## Instructions de sécurité supplémentaires pour le four combiné :

19. **Ne pas** faire éclater du maïs soufflé dans ce four.
20. **Ne pas** utiliser d'ustensiles en métal dans le four sauf lorsque recommandé par les fabricants de nourriture pour four à micro-ondes ou lorsque la recette exige d'utiliser des ustensiles dans un four en mode convection ou combiné. Dans la mesure du possible, réchauffer la nourriture dans des contenants en verre ou en porcelaine.
21. La température du four atteint au moins 232 °C en mode de convection. Vérifier que le plastique, le papier ou d'autres matériaux combustibles sont recommandés par le fabricant comme pouvant résister à la température maximale du four.
22. Les grilles, les ustensiles, les guides de grille ou les surfaces du four deviennent chauds pendant ou suite à l'usage. Utiliser des ustensiles ou des vêtements protecteurs, comme des poignées de plateau ou des gants de cuisine lorsque nécessaire, pour éviter des brûlures.
23. **Ne pas** débrancher le four immédiatement après l'avoir utilisé. Le ventilateur interne doit refroidir le four pour éviter d'endommager des composants électriques.
24. Precaución: Para evitar quemaduras, no use recipientes llenos de líquido o productos de cocina que se vuelvan líquidos al calentarse a niveles mayores a los que puedan ser fácilmente observados.

## CONSERVER CES INSTRUCTIONS



# Installation et nettoyage

## Déballage du four

- Inspecter le four pour y détecter des dommages comme des bossellements dans la porte ou à l'intérieur de la cavité.
- Rapporter immédiatement tout bossellement ou bris à l'emplacement ou le produit a été acheté.  
**Ne pas essayer d'utiliser le four s'il est endommagé.**
- Enlever tous les matériaux d'emballage de l'intérieur du four.
- Si le four a été entreposé dans des endroits soumis à un froid extrême, attendre quelques heures avant de rebrancher l'alimentation.
- Une pellicule protectrice est utilisée pour éviter d'égratigner le boîtier extérieur pendant le transport. Peler la pellicule qui adhère à l'extérieur du four avant d'installer.
- La vignette d'avertissement fournie avec le four doit être placée dans un endroit bien visible, à proximité de ce dernier.

## Brouillage radioélectrique

Le fonctionnement d'un four à micro-ondes peut brouiller les ondes d'un réseau WiFi, d'une radio, d'un téléviseur ou d'un four semblable. Réduire ou éliminer le brouillage comme suit :

- Nettoyer la porte et les surfaces d'étanchéité du four selon les instructions fournies.
- Placer le réseau WiFi, la radio, le téléviseur, etc, aussi loin que possible du four.
- Utiliser une antenne de radio, de téléviseur, etc, correctement installée pour obtenir une meilleure réception.

## Emplacement du four

- Ne pas installer un four à proximité ou au-dessus d'une source de chaleur comme un four à pizza ou une friteuse. Ceci pourrait entraîner un mauvais fonctionnement du four et réduire la durée de vie des pièces électriques.
- Ne pas bloquer ou obstruer le filtre du four. Permettre l'accès pour le nettoyage.
- Installer le four sur un comptoir de niveau.
- La prise doit être située de manière à rendre la fiche accessible lorsque le four est en place.



## Nettoyage de l'intérieur, de l'extérieur et de la porte



### ATTENTION

Pour éviter les risques de décharge électrique, ou encore de blessures graves ou mortelles, débrancher le cordon d'alimentation ou ouvrir le disjoncteur relié au four avant de le nettoyer.

Nettoyer quotidiennement le four à micro-ondes avec un détergent doux mélangé à de l'eau tiède, en utilisant une éponge ou un chiffon doux. Essorer l'éponge ou le chiffon pour expulser l'excès d'eau avant d'essuyer l'équipement. On pourra au besoin faire bouillir une tasse d'eau dans le four pour ramollir les saletés avant de nettoyer. **NE PAS laisser des résidus de cuisson, comme de la graisse ou du gras, dans l'intérieur du four.**

- Ne PAS laisser de résidus de cuisson dans la cavité du four.
- Ne PAS utiliser de nettoyeurs abrasifs ou qui contiennent de l'ammoniaque. Ils pourraient endommager le fini.
- Ne PAS utiliser de produits caustiques, ou qui contiennent de l'ammoniaque, des phosphates ou du chlore dans le four Veloci™. Ils pourraient endommager le four.
- Ne JAMAIS verser de l'eau dans le fond du four à micro-ondes.
- Ne PAS utiliser de systèmes de nettoyage à jet d'eau sous pression.
- Pour obtenir des instructions de nettoyage plus détaillées, consulter les Manuel de l'utilisateur, disponible en ligne au site Web [www.acpsolutions.com](http://www.acpsolutions.com).



### AVERTISSEMENT

Afin d'éviter les risques de décharge électrique ou de mort, ce four doit être mis à la terre et sa fiche ne doit pas être modifiée.



## Instructions de mise à la terre

Le four **DOIT** être mis à la terre.

La mise à la terre réduit

les risques de décharge électrique en donnant un fil de fuite pour le courant électrique si un court-circuit électrique venait à se produire. Ce four est équipé d'un cordon avec mise à la terre et une fiche de mise à la terre. La fiche doit être branchée dans une prise installée et mise à la terre correctement.

Consulter un électricien qualifié ou un réparateur si les instructions de mise à la terre ne sont pas entièrement comprises ou s'il existe un doute sur la mise à la terre correcte du four.

### Ne pas utiliser de rallonge électrique.

Si le cordon d'alimentation du produit est trop court, faire installer une prise à trois fentes par un électricien qualifié. Ce four doit être branché dans un circuit séparé dont les caractéristiques nominales du circuit électrique correspondent aux spécifications pour le produit (disponibles sur le site Web d'ACP [www.acpsolutions.com](http://www.acpsolutions.com)). Lorsqu'un four à micro-ondes est branché sur un circuit partagé par d'autres équipements, un temps de cuisson supérieur peut être requis et des fusibles peuvent griller.

### Borne de mise à la terre isopotentielle externe

*(pour l'exportation seulement)*

L'équipement est muni d'une deuxième borne de mise à la terre. La borne permet un branchement externe de mise à la terre utilisé en plus de la broche ou de la fiche de mise à la terre. Cette borne, située sur le panneau extérieur arrière du four, est marquée avec le symbole indiqué ci-dessous.



# CONSERVER CES INSTRUCTIONS

## ⚠ AVERTISSEMENT

Danger de poids excessif

Deux ou plusieurs personnes doivent déplacer et installer le four. Le non-respect de cette directive peut entraîner des blessures au dos ou d'autres blessures.

### Déballage du four

- Inspectez le four pour détecter tout dommage, tel que des bosses sur la porte ou dans la cavité du four.
- Signalez immédiatement toute bosse ou dommage à la source de l'achat.

#### Ne pas utiliser un four endommagé.

- Enlevez tous les matériaux d'emballage de l'intérieur du four.
- Si le four a été entreposé dans un endroit particulièrement froid, attendez plusieurs heures avant de le brancher.

### Brouillage radio

Le micro-ondes peut brouiller la radio, la télévision ou un four semblable. Réduisez ou supprimez le brouillage en procédant comme suit:

- Nettoyez la porte et les surfaces d'étanchéité du four conformément aux instructions stipulées dans la section Entretien et nettoyage.
- Placez la radio, la télévision, etc. aussi loin que possible du four.
- Utilisez une antenne que vous installez correctement sur la radio, la télévision, etc. pour améliorer la réception du signal.

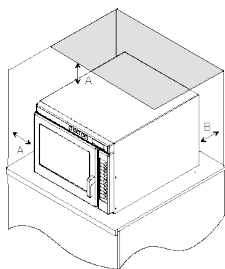
### Installation du four

- Ne pas installer le four près ou au-dessus d'une source de chaleur, telle qu'un four pour pizza ou une friteuse. La performance du four à micro-ondes pourrait en être affectée et la durée de la vie utile des composants électriques raccourcit.
- Ne pas bloquer le filtre du four. L'accès pour le nettoyage doit être facile.
- Installez le four sur une surface de comptoir régulière.
- Collez l'étiquette d'avertissement (si fournie) à un endroit bien en vue près du four à micro-ondes.
- La prise doit être accessible à la fiche lorsque le four est en place.

A—Pour les modèles de l'Amérique du Nord (UL/CSA), laissez au minimum un intervalle de 5,1 cm (2 po) autour de la partie supérieure du four. Pour les modèles internationaux (50 Hz), laissez au minimum un intervalle de 17,8 cm (7 po) autour de la partie supérieure du four. Le flux d'air approprié autour du four refroidit les composants électriques. Si le flux d'air est limité, le four risque de ne pas fonctionner correctement et la vie utile des composants électriques sera réduite.

B—Laissez au minimum un intervalle de 6,5 cm (2 9/16 po) entre l'évacuation de l'air à l'arrière du four et mur.

C—Laissez au minimum un intervalle de 5,1 cm (1 1/2 po) sur les côtés du four.



## ⚠ AVERTISSEMENT

Pour garantir une protection contre les chocs électriques, voire la mort, ce four doit être mis à la terre.

## ⚠ AVERTISSEMENT

Pour garantir une protection contre les chocs électriques, voire la mort, ne pas modifier la fiche.



### Instructions relatives à la mise à la terre

#### Le four DOIT

**obligatoirement être mis à la terre.**

La mise à la terre réduit le risque de chocs électriques en fournissant un fil d'échappement au courant électrique (s'il y a un court-circuit). Ce four est muni d'un cordon ayant un fil de mise à la terre avec une fiche de mise à la terre. La fiche doit être branchée dans une prise correctement installée et mise à la terre.

Consultez un électricien ou un technicien de service qualifié si vous ne comprenez pas les instructions de mise à la terre ou si vous avez des doutes quant à la mise à la terre correcte du four.

#### Ne pas utiliser de rallonges.

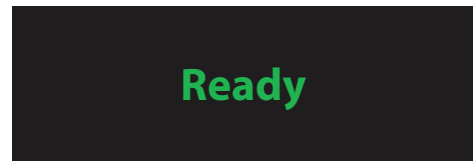
Si le cordon électrique du produit est trop court, contactez un électricien qualifié pour installer une prise à trois broches. Ce four doit être branché dans un circuit distinct dont les caractéristiques électriques correspondent aux spécifications du produit. Lorsqu'un four à micro-ondes partage un circuit avec une autre pièce d'équipement, la durée de la cuisson risque d'augmenter et les fusibles peuvent sauter.

#### Borne d'équipotentialité pour une mise à la terre externe (exportation uniquement)

L'équipement dispose d'une borne de mise à la terre auxiliaire. Elle permet d'effectuer une mise à la terre externe qui est utilisée en sus de la broche de mise à la terre sur la fiche. Située à l'extérieur de la partie arrière du four, la borne est indiquée par le symbole illustré ci-dessous.



## Affichages du four à micro-ondes



Indique que le four est prêt.

Touche de numéro préprogrammé

Étape en cours du cycle de cuisson

Indique que le four est en mode manuel de cuisson

**Item: 05**  
**01:23**

**Stage: 1**  
**MW: 50%**

Des informations sur la cuisson s'affichent pendant le cycle de cuisson

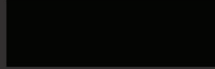
**Manual**  
**00:50**

**Stage: 1**  
**MW: 100%**

Durée de la cuisson

Pourcentage de la puissance du micro-ondes défini par l'utilisateur

# Affichage et caractéristiques



## Touche de saisie manuelle de la durée

Cette touche permet de saisir la durée de la cuisson pour une saisie manuelle ou programmée. La durée de cuisson est comprise entre une seconde (00:01) et 60 minutes. Si la cuisson requiert plus de 60 minutes, ouvrez la porte et inspectez la nourriture avant de reprendre un nouveau cycle de cuisson. Les saisies manuelles de la durée n'ont aucune incidence sur les boutons programmés.



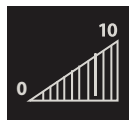
## Touche Quantity

La touche de la quantité ajuste automatiquement la durée de cuisson pré-réglée pour deux portions d'un produit alimentaire. Lorsque vous appuyez sur cette touche avant un cycle de cuisson pré-programmée, le four se règle automatiquement la durée de cuisson. Pour effacer, ouvrez la porte ou appuyez sur la touche STOP. Pour toute instruction sur l'utilisation de cette fonction, consultez la section Touches pré-programmées à la page 9 de ce manuel.



## Touche A/B

La touche A/B permet de basculer la sélection du menu entre deux ensembles de paramètres de menus pré-programmés. La sélection de Menu A permet d'activer les programmes pré-réglés de 0 à 9 attribués à l'aide des touches de 0 à 9. La sélection de Menu B permet d'activer les programmes de 10 à 19 à l'aide des touches de 0 à 9.



## Touche Power Level.

La touche de niveau de puissance permet à l'utilisateur de modifier le niveau de la puissance du micro-onde pour les différentes étapes d'un cycle de cuisson. Pour toute instruction sur la programmation du niveau de puissance, voir la page 10 de la section *Programmation des commandes du four de ce manuel*.



## Cuisson par étapes

Un utilisateur peut programmer jusqu'à quatre étapes différentes combinant les deux niveaux de puissance ainsi que des changements de durée avec le bouton. Chaque combinaison représente une étape. Voir la page 10 de la section *Programmation des commandes du four de ce manuel pour de plus d'informations sur la cuisson par étape*.



## Touche Program Save.

Les programmes ou les paramètres peuvent être modifiés et sauvegardés en fonction des préférences de l'utilisateur. Pour toute instruction sur l'enregistrement des modifications, voir les pages de 9 à 11 de la section *Programmation des commandes du four de ce manuel*.



## Touche START (Démarrer)

La touche START permet de lancer un cycle de cuisson avec saisie manuelle de la durée.



## Touche STOP

La touche STOP met fin à une séquence de cuisson en cours, efface la durée restante et termine également un cycle d'option de programmation de l'utilisateur.



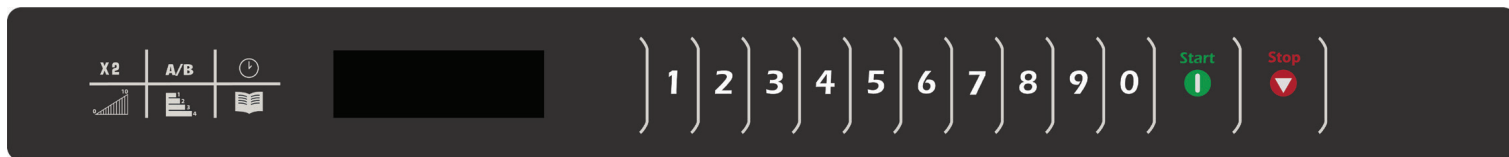
## Touche masquée

La touche masquée peut être utilisée pour ajuster les commandes du four en fonction des préférences de l'utilisateur. Il est situé à droite de la touche STOP. Pour toute instruction sur son utilisation, voir la page 11 de la section *Programmation des commandes du four de ce manuel*.

## Bouton de commande

Le bouton de commande, situé à droite des touches numériques, peut être utilisé à des fins différentes. S'il est activé, l'utilisateur peut tourner le bouton pour ajouter ou soustraire du temps de la cuisson totale. L'utilisateur peut également appuyer sur le bouton pour démarrer un cycle de cuisson sélectionnée, s'il est activé. Pour apprendre comment activer cette fonction, voir les pages 11 et 12 de la section *Programmation des commandes du four de ce manuel*.

# Affichage et caractéristiques



## Programmation avec une seule touche

Chaque touche numérotée peut être programmée pour un produit alimentaire spécifique, tel que le dégivrage et la cuisson des légumes ou d'autres aliments surgelés. Pour utiliser cette fonction, il suffit de programmer la touche à la durée et au niveau de puissance souhaités. Appuyez sur la touche une fois. Le micro-ondes se met en marche. Pour toute instruction, voir les pages de 10 de la section *Programmation des commandes du four de ce manuel*.



## Programmation à deux touches

Une centaine de programmes maximum peut être enregistrée lorsque cette fonction est activée. Un nombre à deux chiffres, par exemple 01, 05, ou 20 sera attribué à chaque entrée. Lorsque vous activez la programmation à deux touches, vous devez appuyer sur deux touches pour lancer le cycle de cuisson.



## Compatibilité USB

Une clé USB flash standard est compatible avec ce four à micro-ondes et permet à l'utilisateur de sauvegarder les réglages préprogrammés et les options de l'utilisateur sur la clé flash plutôt que de programmer directement les réglages sur les touches numériques.



## Cuisson uniquement en haut ou uniquement en bas

La cuisson Top only (En haut uniquement) ou Bottom Only (En bas uniquement) permet à l'utilisateur d'utiliser uniquement le haut ou le bas du four pendant un cycle de cuisson. Lorsque vous sélectionnez « Top Only », seuls les magnétrons supérieurs fonctionnent. Lorsque vous sélectionnez « Bottom Only », seuls les magnétrons inférieurs fonctionnent. Pour de plus amples informations sur cette fonction, voir la page 10.

## Options utilisateur

Les options de l'utilisateur, telles que le volume sonore ou le nombre de touches programmables, peuvent être modifiées et sauvegardées. Pour changer d'options, voir la page 11 de la section *Programmation des commandes du four dans ce manuel*.

## Pause de cuisson à mi-cycle

La pause de cuisson est une caractéristique unique à cette série de micro-ondes. Cette pause permet d'ajouter des ingrédients supplémentaires, de vérifier les progrès de la cuisson ou de laisser la nourriture mijoter pendant un intervalle nécessaire entre les cycles de cuisson. Au cours d'une pause à mi-cycle, le micro-ondes émet un bip continu et le message PROGRAM PAUSED (PROGRAM PAUSE) s'affiche jusqu'à ce que la porte du four est ouverte et fermée. Pour poursuivre le programme, appuyez sur la touche START (DÉMARRER). Pour utiliser cette fonction, voir la section *Programmation des commandes du four de ce manuel*.



## Que signifie une « cuisson par étape » ?

Une cuisson par étape permet d'utiliser différents cycles (ou étapes) de cuisson l'un après l'autre sans l'intervention de l'utilisateur. Elle permet par exemple de régler le dégivrage des aliments puis leur cuisson et maintien les aliments au chaud jusqu'à ce qu'ils soient servis. La durée totale de cuisson pour toutes les étapes combinées ne doit pas dépasser 60 minutes. Pour apprendre comment activer cette fonction, voir la page 10 de la section *Programmation des commandes du four de ce manuel*.



# Utilisation des commandes du four

## Saisie manuelle de la durée

Pour chauffer des aliments selon une durée et un niveau de puissance spécifiques.

- Ouvrez la porte du four et placez les aliments à l'intérieur. Refermez la porte.
  - Le message **READY (PRET)** s'affiche. Le ventilateur et la lumière s'allument.
- Appuyez sur la touche TIME ENTRY (SAISIE DE LA DURÉE).
  - Si la touche ne fonctionne pas, ouvrez et refermez la porte puis réessayez.
- Saisissez la durée de la cuisson à l'aide des touches numérotées.
- Appuyez sur la touche POWER LEVEL (NIVEAU DE PUISSANCE) pour changer le niveau de puissance.
  - Pour modifier la puissance du micro-ondes, appuyez sur les touches de 1 (pour 10%) à 9 (pour 90%).
- Pour une cuisson par étape, appuyez sur la touche STAGE (ÉTAPE) et répétez les étapes de 2 à 4.
  - Vous pouvez programmer jusqu'à quatre étapes.
- Appuyez sur la touche START (DÉMARRER).
  - Le four est en marche et le compte à rebours est lancé.
- À la fin du cycle de cuisson, le four fait un bip et s'éteint. **Le message DONE s'affiche.**



## Cuisson par micro-ondes

• La cuisson par micro-ondes utilise des ondes d'énergie à haute fréquence pour chauffer les aliments. Pendant la cuisson, l'énergie du micro-ondes déplace rapidement les molécules alimentaires. Ce mouvement rapide entre les molécules alimentaires émet de la chaleur qui cuit les aliments.

## Peut-on faire marcher le micro-ondes vide sans danger?

Si vous faites marcher le micro-ondes sans charge, vous risquez d'endommager sérieusement les composants électriques. Lorsque les aliments sont placés dans le four, l'énergie du micro-ondes générée par les magnétrons est absorbée par l'aliment. Lorsqu'il n'y a pas d'aliments dans le four, l'énergie ne peut pas être absorbée. L'énergie rebondit autour de la cavité et est acheminée à travers le guide d'onde. Un arc électrique peut être généré, un incendie peut être déclenché et les magnétrons peuvent brûler.

## Comment doit-on décongeler les aliments avec un micro-ondes commercial?

Les micro-ondes commerciaux ne disposent pas obligatoirement du bouton de dégivrage qui est standard sur les micro-ondes résidentiels. Pour décongeler, il suffit d'utiliser le niveau de puissance du micro-ondes de 20%.

## Comment savoir si un conteneur peut être utilisé dans le micro-ondes?

Pour tester si un conteneur peut être utilisé dans un micro-ondes, placez le dans le four micro-ondes à côté d'un récipient d'eau qui est utilisable dans un micro-ondes. Faites ensuite marcher le micro-ondes pendant une minute. Si le conteneur testé est chaud ou très chaud, il ne peut pas être utilisé dans le micro-ondes.

## Touches préprogrammées

La cuisson des aliments avec des touches préprogrammées.

Pour toute instruction sur la programmation des touches, voir les pages de 10 de la section *Programmation des commandes du four de ce manuel*.

- Ouvrez la porte du four et placez les aliments à l'intérieur. Refermez la porte.
  - Le message **READY (PRET)** s'affiche. Le ventilateur et la lumière s'allument.
- Appuyez sur la touche souhaitée.
  - Pour une saisie à une seule touche, appuyez sur une seule touche.
  - Pour une saisie à deux touches, appuyez sur les deux touches représentant les deux chiffres.
  - Pour changer les options à une seule touche ou deux touches, voir la section Options de l'utilisateur dans ce manuel.
- Lors de la cuisson de deux produits alimentaires identiques, appuyez sur la touche QUANTITY avant un cycle de cuisson préprogrammée. Le four ajuste automatiquement le programme.
  - Le message **DOUBLE** s'affiche.
  - Pour effacer, ouvrir et fermer la porte ou appuyer sur la touche **STOP**.
- Le four commence la cuisson.
  - Pour augmenter la durée de cuisson, appuyez à nouveau sur la touche du numéro préprogrammé.
- À la fin du cycle de cuisson, le four émet un bip et s'éteint. **Le message DONE s'affiche.**



### Réglage par défaut

Touche	Durée
1	10 sec.
2	20 sec.
3	30 sec.
4	40 sec.
5	1 min.

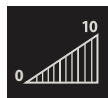
Touche	Durée
6	1 min. 30
7	2 min.
8	3 min.
9	4 min.
0	5 min.

# Programmation des commandes du four

## Programmation des touches

Le four est expédié de l'usine pour une programmation à une seule touche. Pour passer à une programmation à deux touches, voir la section *Options de l'utilisateur*. Pour programmer la durée ou le niveau de puissance à l'aide d'une touche:

1. Le message **READY (PRÊT)** doit être affiché. Si ce n'est pas le cas, ouvrez et fermez la porte.
2. Appuyez sur la touche PROGRAM SAVE (ENREGISTREMENT DU PROGRAMME).
  - Le mode de programmation est lancé
  - Le message « Enter Program to Add/Review (Saisir le programme à ajouter/réviser) » s'affiche
3. Appuyez sur la touche numérique à programmer.
  - L'affichage change pour passer en revue tous les réglages de la touche.
  - Le numéro de la touche qui est cours de programmation s'affiche adjacent au terme **ITEM**
4. Appuyez sur la touche TIME ENTRY pour programmer la durée de cuisson.
  - Saisissez la durée souhaitée à l'aide des touches numériques.
  - La durée de cuisson maximum est 60 minutes
5. Appuyez sur la touche POWER LEVEL pour programmer le niveau de la puissance du micro-ondes.
  - Pour une puissance plus faible du micro-ondes, appuyez sur les touches de 1 (pour 10%) jusqu'à 9 (pour 90%)
  - Appuyez sur la touche numérique correspondant au niveau souhaité. Appuyez à nouveau sur la même touche numérique pour régler le niveau de la puissance à 100 %.
6. Appuyez sur PROGRAM SAVE pour effectuer l'enregistrement.
7. Pour ignorer les modifications, appuyez sur la touche STOP/RESET.



## Programmation de la cuisson uniquement en haut ou uniquement en bas

1. Appuyez sur la touche POWER LEVEL. Sélectionnez et programmez la puissance du micro-ondes.
2. Si vous appuyez sur la touche POWER LEVEL une deuxième fois, l'option de réchauffement en haut seulement « Top Only » sera sélectionnée et affichée.
3. Si vous appuyez sur la touche POWER LEVEL une troisième fois, l'option de réchauffement en bas seulement « Bottom Only » sera sélectionnée et affichée.
4. Si vous appuyez sur la touche POWER LEVEL une quatrième fois, le four est réinitialisé et le réchauffement se fera par le haut et le bas.

Cuisson en haut seulement

Manual Stage: 1  
00:00 MW: 50%

↑ ↑ ↑  
Clignotement

Cuisson en bas seulement

Manual Stage: 1  
00:00 MW: 50%

↑ ↑ ↑  
Clignotement

Cuisson en haut et en bas

Manual Stage: 1  
00:50 MW: 100%

↑ ↑  
Clignotement

## Programmation de plusieurs étapes

La cuisson par étape permet d'avoir des cycles de cuisson consécutifs sans interruption.

Vous pouvez programmer et enregistrer quatre cycles de cuisson avec les touches.

Pour utiliser la cuisson par étapes:

1. Répétez les étapes de 1 à 5 ci-dessus.
6. Appuyez sur STAGE (ÉTAPE).
  - La programmation est maintenant lancée pour l'étape de cuisson suivante.
  - L'affichage indique l'étape à programmer.
  - Saisissez la durée de cuisson et le niveau de puissance comme pour les étapes 4 et 5.
  - Pour affecter une autre étape de cuisson à cette touche, appuyez à nouveau sur la touche STAGE.
  - Vous pouvez programmer jusqu'à quatre étapes.
  - La durée de cuisson totale du micro-ondes (toute étape comprise) est de 60 minutes.
7. Appuyez sur la touche PROGRAM SAVE pour enregistrer le programme et les modifications.
8. Pour ignorer les modifications, appuyez sur la touche STOP/RESET avant d'appuyer sur PROGRAM SAVE.



# Programmation des commandes du four

## Pause de cuisson à mi-cycle

Pour ajouter une pause à un cycle de cuisson programmée:

1. Appuyez sur la TOUCHE MASQUÉE après avoir saisi la durée ou le niveau de puissance.
2. Un bip court retentit. Ce bip indique que le programme est configuré pour une pause à mi-cycle.
3. Poursuivez la programmation de la touche comme vous le souhaitez.

Pour supprimer une pause d'un cycle de cuisson programmée:

1. Appuyez sur la TOUCHE MASQUÉE après avoir saisi la durée ou le niveau de puissance.
2. Un bip court retentit. Un bip indique que la pause mi-cycle a été supprimée.
3. Poursuivez la programmation comme vous le souhaitez.



Touche masquée

## Utilisation de la clé flash USB

1. Le message **READY (PRÊT)** doit être affiché. Si ce n'est pas le cas, ouvrez et fermez la porte.
2. Ouvrez complètement la porte du four.
3. Insérez une clé flash USB.
4. Appuyez sur la touche 5 que vous maintenez enfoncée jusqu'à ce que le message USB s'affiche.
5. Pour transférer la programmation **DEPUIS** la clé USB **VERS** le four, appuyez sur la touche 1.
  - Pour transférer la programmation **VERS** la clé **USB DEPUIS** le four, appuyez sur la touche 2.
6. Appuyez sur la touche **START (DÉMARRER)** pour commencer le transfert.
  - Le message « Contacting USB card » s'affiche.
  - Le message « Transferring data from USB to oven » ou vice-versa s'affiche ensuite.
7. Une fois que la programmation a été transférée, le message « Done - Loaded \_\_\_ Programs (Terminé - Programmes \_\_ chargés) » s'affiche.
  - Fermez la porte pour effacer l'affichage et commencez le cycle de cuisson
8. Codes d'erreur:
  - **No file (Aucun fichier):** La clé flash USB est vide ou n'a pas le ou les fichiers requis pour l'opération.



## Modification des options utilisateur

Les options, telles que la programmation d'une touche simple ou double, le volume du bip et la durée maximum de cuisson peuvent être adaptées aux préférences personnelles.

**Si le four vient d'être allumé, la porte doit être ouverte et fermée pour pouvoir commencer:**

1. Appuyez fermement sur la touche masquée située à droite de la touche STOP.
  - La touche n'a pas de symbole
  - L'affichage reste le même lorsque vous appuyez sur la touche masquée
2. Appuyez sur la touche PROGRAM SAVE (ENREGISTREMENT DU PROGRAMME).
  - La première option utilisateur s'affiche. Le four est maintenant en mode options.
3. Appuyez sur la touche du numéro souhaité pour contrôler les changements dans les options.
  - Voir les options dans le tableau de la page suivante
  - L'option en cours s'affiche.
4. Appuyez à nouveau sur la même touche pour activer ou désactiver le réglage.
  - L'option change à chaque fois que vous appuyez sur la touche.
  - Pour changer d'autres options, répétez les étapes 3 et 4.
5. Appuyez sur PROGRAM SAVE pour revenir au mode READY, les changements entrent immédiatement en vigueur. Pour quitter sans sauvegarder, appuyez sur la touche STOP.



# Tableau des options de l'utilisateur

Touches numérotées	Affichages	Options
<b>1</b> Saisie à deux chiffres	Désactivée Activée	<b>Permet de préprogrammer 10 touches (0-9)</b> Permet de préprogrammer 100 touches (00-99)
<b>2</b> Programmation manuelle	Désactivée <b>Activée</b>	Saisie de la durée/cuisson manuelles non autorisées <b>Saisie de la durée/cuisson manuelles autorisées</b>
<b>3</b> Réinitialiser avec la porte ouverte	Désactivée Activée	<b>L'ouverture de la porte ne réinitialise pas le four en mode READY</b> L'ouverture de la porte réinitialise le four en mode READY
<b>4</b> Son des touches	DÉSACTIVER <b>ACTIVER</b>	Les touches n'émettent pas de son lorsque vous appuyez dessus <b>Les touches émettent un son lorsque vous appuyez dessus</b>
<b>5</b> Volume haut-parleur	DÉSACTIVÉ FAIBLE MOYEN <b>FORT</b>	Volume du son des touches DÉSACTIVÉ Volume du son des touches FAIBLE Volume du son des touches MOYEN <b>Volume du son des touches FORT</b>
<b>6</b> Signal de fin de cuisson	<b>Bip continu</b> Bip de 3 secondes Quatre bips une seule fois 4 bips distincts	<b>Le signal indiquant que les aliments sont prêts est un bip continu jusqu'à ce que l'utilisateur le réinitialise</b> Le signal indiquant que les aliments sont prêts est un bip de trois secondes Le signal indiquant que les aliments sont prêts est quatre bips en continu Le signal indiquant que les aliments sont prêts est quatre bips, quatre fois
<b>7</b> Touche active	15 secondes 30 secondes <b>60 secondes</b> 120 secondes Always (Toujours)	L'intervalle d'entrée au pavé est de 15 secondes L'intervalle d'entrée au pavé est de 30 secondes <b>L'intervalle d'entrée au pavé est d'une minute</b> L'intervalle d'entrée au pavé est de deux minutes L'intervalle d'entrée au pavé est toujours actif
<b>8</b> Bouton On-The-Fly	Désactivé Activé	<b>Désactivation en tournant le bouton pour activer le mode manuel</b> Tourner le bouton pour activer le mode de saisie manuelle de la durée, appuyer sur le bouton pour mettre le four en marche et tourner le bouton pour prolonger la durée avant de commencer un cycle de cuisson
<b>9</b> Bouton de saisie manuelle	Désactivée <b>Activée</b>	Désactive complètement le bouton <b>Active le bouton selon l'option 8</b>
<b>0</b> Cuisson uniquement en haut (Top) ou uniquement en bas (Bottom)	Désactivée Activée	<b>Désactive la cuisson uniquement haut ou en bas</b> Active la cuisson uniquement haut ou en bas
<b>Touche Time Entry.</b> On-The-Fly Cook	Désactivée Activée	<b>Désactive les touches supplémentaires pendant un cycle de cuisson</b> Permet d'appuyer sur des touches supplémentaires pour ajouter ou modifier la durée de la cuisson à mi-cycle sans s'arrêter
<b>Touche X2</b> Invite X2	Désactivée <b>Activée</b>	Désactive l'invite X2 <b>Active l'invite X2</b>
<b>Touche A/B</b> Menus A/B	Désactivée Activée	<b>Désactive les menus A/B</b> Active les menus A/B
<b>Touche Power Level.</b> Retour au menu	<b>A</b> <b>B</b> Dernière sélection	<b>Retour au menu A</b> Retour au menu B Retour au dernier menu sélectionné
<b>Touche Stage</b> Message Clean Filter (Nettoyer filtre) (Fréquence)	Désactivée <b>Hebdomadairement</b> Mensuellement Trimestriellement	Le four n'affiche pas « CLEAN FILTER » (Nettoyer le filtre) <b>Le four affiche « CLEAN FILTER » (Nettoyer le filtre) tous les 7 jours</b> Le four affiche « CLEAN FILTER » (Nettoyer le filtre) tous les 30 jours Le four affiche « CLEAN FILTER » (Nettoyer le filtre) tous les 90 jours

Les options en caractères gras sont les options par défaut.

## Nettoyage de l'intérieur, de l'extérieur et de la porte

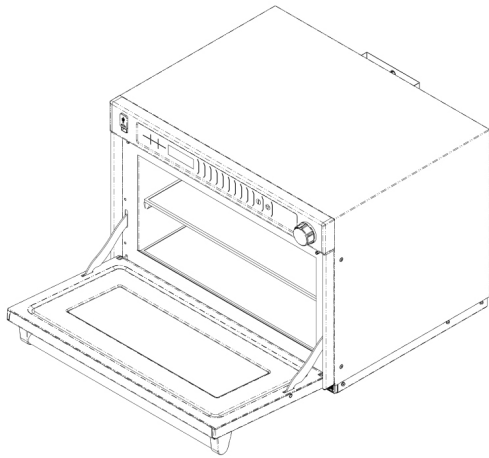
Nettoyez le four à micro-ondes avec un détergent doux et de l'eau chaude sur une éponge souple ou sur un chiffon. Essorez bien l'éponge ou le chiffon pour enlever tout excès d'eau avant de nettoyer l'équipement. Vous pouvez également faire bouillir une tasse d'eau dans le four à micro-ondes pour ramollir les saletés avant de procéder au nettoyage. **NE JAMAIS cuire des résidus tels que les graisses restées à l'intérieur du four.**

- NE PAS laisser des résidus d'aliments cuits dans la cavité du four.
- NE PAS utiliser d'agents de nettoyage abrasifs ou contenant de l'ammoniac sous risque d'endommager l'appareil.
- NE JAMAIS verser de l'eau dans la partie inférieure du four à micro-ondes.
- NE PAS utiliser des systèmes de nettoyage à pression d'eau.

## Nettoyage du filtre d'admission d'air

Nettoyez le filtre d'admission d'air une fois par semaine pour garantir une bonne circulation de l'air. NE PAS utiliser le four sans le filtre.

- Il y a deux filtres magnétiques sous la porte du four.
- Laver les filtres avec un gant de toilette, de l'eau chaude et un détergent doux, ou dans une machine à laver la vaisselle.



### ▲ MISE EN GARDE

Pour ne pas endommager le four, il faut nettoyer le filtre à air régulièrement.

### ▲ MISE EN GARDE

Pour éviter tout choc électrique pouvant entraîner de graves blessures, débrancher le cordon d'alimentation ou ouvrir le disjoncteur du four avant de procéder au nettoyage du four.

### ▲ MISE EN GARDE

Pour ne pas endommager le produit, ne pas utiliser le four sans la grille anti-éclaboussures. Un arc électrique endommagera la cavité du four et les antennes lorsqu'il est utilisé sans la grille anti-éclaboussures.



# Avant d'appeler le centre de service

## AVERTISSEMENT

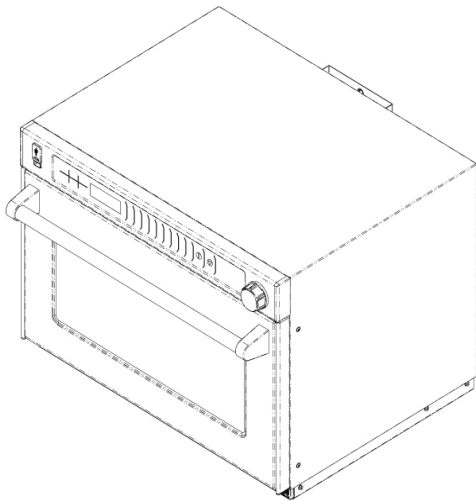
Pour éviter tout choc électrique pouvant entraîner de graves blessures voire la mort, ne jamais retirer le boîtier externe. Seul un centre de service agréé est censé enlever le boîtier externe.

Problème	Cause potentielle
Le four ne fonctionne pas.	Assurez-vous que le four est branché dans un circuit dédié.  Assurez-vous que le four est branché sur un circuit à la terre et polarisé (contactez un électricien pour confirmer).  Vérifiez le disjoncteur.
Le four fonctionne de manière intermittente.	Vérifiez le filtre d'air et les zones d'évacuation afin de détecter tout blocage.
Si le four ne valide pas les saisies lorsqu'on appuie sur la touche.	Assurez-vous que le four est en marche.  Ouvrez et fermez la porte. Appuyez à nouveau sur la touche.
Si le four ne fonctionne pas correctement ou affiche le message CALL SERVICE ou ERROR avec un numéro	Le contrôle du four est équipé d'un système d'autodiagnostic. Le système d'autodiagnostic vous avertit en cas d'erreur ou de problème. Lorsque le contrôle électronique signal un problème, procédez comme suit:  1. Prenez note du numéro affiché. 2. Débranchez le four. Attendez une (1) minute. Branchez le four - Il est possible que le code de service disparaisse lorsque vous coupez l'alimentation électrique. Si la panne persiste, contactez ComServ au +1-866-426-2621 ou un technicien agréé ACP.
Le four marche mais ne réchauffe pas les aliments	Placez une tasse d'eau dans le four. Faites marcher le four pendant une (1) minute à pleine puissance (100%) Si la température n'augmente pas, le four ne fonctionne pas correctement. Contactez ComServ au +1-866-426-2621 ou un technicien agréé ACP.
Le message HOT s'affiche	Le magnétron de four a surchauffé. Le four interrompt automatiquement la séquence de cuisson et met en marche le ventilateur de refroidissement jusqu'à ce que la température normale soit atteinte. Lorsque la température refroidie des magnétrons est normale, le four revient en mode READY.
CALL SERVICE (le message clignote après un cycle de cuisson)	Il est possible que le four ne fonctionne pas à pleine puissance. Contactez ComServ au +1-866-426-2621 ou un technicien agréé ACP.



# Bedienungsanleitung

DIESER OFEN IST NUR FÜR DEN GEWERBLICHEN EINSATZ GEDACHT



## Kommerzieller Mikrowellenofen

Bewahren Sie diese Anleitung für eine zukünftige Bezugnahme auf. Wenn das Gerät den Besitzer wechselt, sollte dieses Handbuch dem Ofen beiliegen.

### Inhalt

Modellbezeichnung .....	2
Vorsichtsmaßnahmen zur Vermeidung der Belastung mit übermäßiger Mikrowellenenergie .....	2
Wichtige Sicherheitshinweise.....	3-4
Anweisungen zur Erdung .....	5
Installation .....	5
Anzeige und Funktionen .....	6-8
Benutzung der Ofenbedienung .....	9
Programmierung der Ofenbedienung.....	10-11
Ändern der Benutzeroptionen .....	11
Tabelle mit Benutzeroptionen.....	12
Pflege und Reinigung.....	13
Vor dem Anruf beim Wartungsdienst...	14

# Modellkennzeichnung

Halten Sie bei einem Anruf bei ACP bitte die Produktinformationen bereit. Die Produktinformationen finden Sie auf dem Schild mit der Seriennummer des Ofens. Notieren Sie folgende Informationen:

Modellnummer: \_\_\_\_\_  
Herstellungsnummer: \_\_\_\_\_  
Seriennummer (oder S/N): \_\_\_\_\_  
Kaufdatum: \_\_\_\_\_  
Name und Adresse des Händlers: \_\_\_\_\_  
\_\_\_\_\_

Bei Fragen oder falls Sie einen zugelassenen ACP-Servicefachmann suchen, wenden Sie sich bitte an die gebührenfreie Telefonnummer 1-866-426-2621 innerhalb der USA oder in Kanada bzw. 1-319-368-8120 außerhalb der USA oder in Kanada. Reparaturen im Rahmen der Garantie müssen von einem autorisierten ACP-Servicefachmann durchgeführt werden. ACP empfiehlt zudem, sich im Fall von Servicearbeiten nach Ablauf der Garantie an einen autorisierten Servicefachmann zu wenden.

## WICHTIGE SICHERHEITSHINWEISE



Dies sind Hinweise für Sie auf mögliche Verletzungsgefahren. Befolgen Sie alle Sicherheitshinweise, die diesem Symbol folgen, um Verletzungen oder Todesfälle zu vermeiden. Bei Benutzung von Elektrogeräten sollten grundsätzliche Sicherheitsmaßnahmen befolgt werden, um das Risiko von Verbrennungen, Elektroschock, Feuer oder Personenschäden zu verringern.

## VORSICHTSMASSNAHMEN ZUR VERMEIDUNG DER BELASTUNG MIT ÜBERMÄSSIGER MIKROWELLENENERGIE

- A. **NICHT VERSUCHEN**, diesen Ofen mit geöffneter Tür zu betreiben. Das Betreiben mit geöffneter Tür kann zu einer schädlichen Belastung mit Mikrowellenenergie führen. Es dürfen keine Änderungen an den Sicherheitsverriegelungen vorgenommen werden.
- B. **KEINE** Gegenstände zwischen der Ofenvorderseite und der Tür stellen. Auf den Dichtungsflächen dürfen sich kein Schmutz bzw. keine Reinigungsmittelrückstände ansammeln.
- C. Der Ofen **DARF NICHT** im beschädigten Zustand betrieben werden. Insbesondere muss sich die Ofentür ordnungsgemäß schließen lassen. Folgendes darf keine Schäden aufweisen:
  - 1. Tür (verbogen)
  - 2. Scharniere und Riegel (kaputt oder locker)
  - 3. Türdichtungen und Dichtungsoberflächen.
- D. Der Ofen darf nur von ordnungsgemäß qualifiziertem Servicepersonal eingestellt oder repariert werden.

## BEWAHREN SIE DIESE ANLEITUNGEN AUF

# WICHTIGE SICHERHEITSHINWEISE



Dies sind Hinweise für Sie auf mögliche Verletzungsgefahren. Befolgen Sie alle Sicherheitshinweise, die diesem Symbol folgen, um Verletzungen oder Todesfälle zu vermeiden.



## ACHTUNG

Bei Benutzung von Elektrogeräten sollten grundsätzliche Sicherheitsmaßnahmen befolgt werden, um das Risiko von Verbrennungen, Elektroschock, Feuer oder Personenschäden zu verringern.

- LESEN** Sie alle Anweisungen vor der Benutzung des Geräts.
  - LESEN UND BEFOLGEN** Sie die besonderen „**VORSICHTSMASSNAHMEN ZUR VERMEIDUNG DER BELASTUNG MIT ÜBERMÄSSIGER MIKROWELLENENERGIE**“ auf Seite 2.
  - Dieses Gerät **MUSS GEERDET WERDEN**. Es darf nur an ordnungsgemäß **GEERDETE** Steckdosen angeschlossen werden. Siehe **“ERDUNGSANLEITUNGEN”** auf Seite 5.
  - Dieser Ofen darf **NUR** in Übereinstimmung mit den Aufbauanweisungen in dieser Bedienungsanleitung aufgestellt werden.
  - Manche Produkte wie ganze Eier und versiegelte Behälter wie zum Beispiel geschlossene Gläser können explodieren und **DÜRFEN NICHT** in diesem Ofen **ERWÄRMT** werden.
  - Dieser Ofen darf **NUR** zu dem in dieser Bedienungsanleitung beschriebenen vorgesehenen Zweck eingesetzt werden. In diesem Ofen dürfen keine Ätzmittel oder ätzenden Dämpfe verwendet werden. Diese Art Ofen wurde speziell zum Erwärmen oder Kochen von Speisen entwickelt. Er wurde nicht für den industriellen oder Laboreinsatz entwickelt.
  - KINDER** sind wie bei jedem Ofen jederzeit **ZU BEAUFSICHTIGEN**.
  - Diesen Ofen NICHT** mit einem beschädigten Kabel oder Stecker betreiben. Dies gilt auch, wenn der Ofen nicht ordnungsgemäß funktioniert bzw. beschädigt oder fallen gelassen wurde.
  - Dieser Ofen und sein Elektrokabel dürfen **NUR** von einem qualifizierten Servicefachmann gewartet werden. Für die Wartung des Ofens sind Spezialwerkzeuge erforderlich. Wenden Sie sich bitte an eine autorisierte Servicewerkstatt für Untersuchungen, Reparaturen oder Einstellungen.
  - AUF KEINEN FALL** den Filter oder andere Ofenöffnungen abdecken oder blockieren.
  - AUF KEINEN FALL** diesen Ofen im Freien lagern. **AUF KEINEN FALL** diesen Ofen in der Nähe von Wasser benutzen wie zum Beispiel in der Nähe einer Küchenspüle, in einem nassen Keller oder in der Nähe eines Schwimbeckens usw.
  - AUF KEINEN FALL** das Elektrokabel oder den Stecker in Wasser tauchen.
  - Das Kabel von **ERHITZTENO** berflächen **FERNHALTEN**.
  - AUF KEINEN FALL** das Kabel über eine Tisch- oder Arbeitsflächenkante hängen lassen.
  - Sie Anleitungen zum Säubern der Tür auf Seite
  - Kinder nicht unbeaufsichtigt Säuberungs- und Benutzerwartungsarbeiten durchführen lassen.
  - Folgendes ist zur Verhütung von Bränden im Garraum zu beachten:
    - AUF KEINEN FALL** Speisen zu lange kochen lassen. Den Ofen überwachen, wenn Papier, Kunststoff oder andere entflammable Materialien im Ofen verwendet werden, um den Kochvorgang zu unterstützen.
    - Binder (Twist-ties) von Papier- oder Plastiktüten abnehmen, bevor die Tüte in den Ofen gelegt wird.
    - Falls sich Materialien im Ofen entzünden, die Ofentür **GESCHLOSSEN HALTEN** den Ofen ausschaltenund das Elektrokabel abtrennen bzw. den Strom auf dem Leistungsschalterfeld abschalten.
    - AUF KEINEN FALL** den Garraum zum Lagern verwenden. **AUF KEINEN FALL** bei Nichteinsatz des Ofens im Garraum Papier, Kochgeräte oder Speisen aufbewahren.
  - Der Ofen ist nur für den gewerblichen Einsatz gedacht.
  - Aus Sicherheitsgründen darf nur eine sachkundige Person Service- oder Reparaturarbeiten vornehmen, bei denen eine der Ofenabdeckungen entfernt werden muss, die vor Gefährdung durch Mikrowellenenergie schützen.
  - Wenn die Tür oder Türdichtungen beschädigt sind, darf der Ofen erst nach Reparatur durch eine sachkundige Person wieder in Betrieb genommen werden werden
  - Das Gerät darf von Kindern unter 8 Jahren oder Personen mit eingeschränkten körperlichen, sensorischen bzw. geistigen Fähigkeiten, mangelnder Erfahrung bzw. fehlendem Wissen nur benutzt werden, wenn sie beaufsichtigt werden oder entsprechend eingewiesen wurden.
  - Bei Kindern ist darauf zu achten, dass sie nicht mit dem Gerät spielen.
  - Nur Kochgerät verwenden, dass für eine Verwendung in einem Mikrowellenofen geeignet ist.
  - Beim Erwärmen von Speisen in Plastik- oder Papierbehältern den Ofen im Auge behalten, da eine Entzündung möglich ist.
  - Bei Rauchentwicklung das Gerät ausschalten oder von der Steckdose trennen und die Tür nicht öffnen, um eventuell auftretende Flammen zu ersticken.
  - Der Ofen muss sauber gehalten werden, um seine Oberfläche zu erhalten. Bei Nichtbeachtung können die Lebensdauer und die Sicherheit des Geräts beeinträchtigt werden.
  - Das Gerät darf nicht mit einem Wasserstrahl gereinigt werden (gilt für auf dem Boden stehende Geräte unter IPX5).
  - Flüssigkeiten und andere Speisen dürfen nicht in Versiegelten Behältern erhitzt werden, da sie explodieren können.
  - Eine Erwärmung von Getränken in einer Mikrowelle kann zur verzögertem Aufkochen führen. Bei Handhabung des Getränkebehälters vorsichtig vorgehen.
- ### Anleitung nur für Kombi-Öfen
- AUF KEINEN FALL** überdimensionierte Speisemengen oder Kochgeräte in einen Mikrowellen-/Heißluftofen stellen, da sie Feuer fangen oder einen Lichtbogen verursachen können. Zudem besteht die Gefahr eines elektrischen Schlages.
  - AUF KEINEN FALL** mit einem Topfreiniger aus Metall säubern. Metallstückchen können vom Topfreiniger absplintern und Elektrobauteile berühren, was zu einem elektrischen Schlag führen kann.
  - AUF KEINEN FALL** Papierprodukte verwenden, die nicht für Kochen mit hoher Temperatur gedacht sind, wenn das Gerät im Heißluft- oder Kombi-Modus betrieben wird.
  - AUF KEINEN FALL** in diesen Gerät Materialien mit Ausnahme dem vom Hersteller empfohlenen Zubehör aufbewahren, wenn das Gerät nicht benutzt wird.
  - AUF KEINEN FALL** Teile des Ofens mit Metallfolie abdecken. Eine Behinderung des Luftstroms kann den Ofen überhitzen.
  - AUF KEINEN FALL** Ofenreinigungslösung in Richtung hinterer Innenraumwand des Garraums sprühen. Dies verunreinigt und beschädigt die Heißluftbaugruppe.

## BEWAHREN SIE DIESE ANLEITUNGEN AUF

# WICHTIGE SICHERHEITSHINWEISE



## ACHTUNG

Folgendes ist zur Verhütung von Bränden im Garraum zu beachten:

- a. **AUF KEINEN FALL** Speisen zu lange kochen lassen. Den Ofen überwachen, wenn Papier, Kunststoff oder andere entflammbare Materialien im Ofen verwendet werden, um den Kochvorgang zu unterstützen.
- b. Binder (Twist-ties) von Papier- oder Plastiktüten abnehmen, bevor die Tüte in den Ofen gelegt wird.
- c. Falls sich Materialien im Ofen entzünden, die Ofentür **GESCHLOSSEN HALTEN** den Ofen ausschalten und das Elektrokabel abtrennen bzw. den Strom am Sicherungskasten oder auf dem Leistungsschalterfeld abschalten.
- d. **AUF KEINEN FALL** den Garraum zum Lagern verwenden. **AUF KEINEN FALL** bei Nichteinsatz des Ofens im Garraum Papier, Kochgeräte oder Speisen aufbewahren.



## ACHTUNG

Flüssigkeiten wie Wasser, Kaffee oder Tee können beim Erwärmen den Siedepunkt überschreiten, ohne das dies offensichtlich. Dies hängt mit der Oberflächenspannung der Flüssigkeit zusammen. Kochblasenbildung oder Sieden ist nicht immer sichtbar, wenn der Behälter aus der Mikrowelle genommen wird. **DIES KANN DAZU FÜHREN, DASS SEHR HEISSE FLÜSSIGKEITEN PLÖTZLICH ÜBERKOCHEN KÖNNEN, WENN EIN LÖFFEL ODER KOCHGERÄT IN DIE FLÜSSIGKEIT GESTECKT WIRD.** Beachten Sie Folgendes, um Verletzungen zu vermeiden:

- i) Die Flüssigkeit nicht überhitzen.
- ii) Die Flüssigkeit vor und in der Mitte des Kochvorgangs umrühren.
- iii) Keine zylindrischen Behälter mit engen Hälsen verwenden.
- iv) Nach dem Erhitzen den Behälter kurze Zeit im Mikrowellenofen stehen lassen, bevor der Behälter aus dem Ofen genommen wird.
- v) Beim Stecken eines Löffels oder Kochgeräts in die heiße Flüssigkeit besonders vorsichtig vorgehen.



## VORSICHT

Beachten Sie Folgendes, um Personen- oder Sachschäden zu verhüten:

1. Im Ofen darf nicht mit Öl frittiert werden. Das Fett kann sich überhitzen und seine Handhabung kann gefährlich sein.
2. Eier in der Schale oder mit intaktem Eigelb dürfen nicht mit Mikrowellenenergie gekocht oder erwärmt werden. Es kann sich Druck aufbauen und eine Eruption folgen. Vor dem Kochen das Eigelb mit einer Gabel oder einem Messer anstechen.
3. Vor dem Kochen mit Mikrowellenenergie die Schale von Kartoffeln, Tomaten und ähnlichen Nahrungsmitteln durchlöchern. Durch die durchlöchernte Schale kann der Dampf gleichmäßig austreten.
4. Den Ofen nur mit Speisen im Garraum betreiben.
5. Popcorn nur in Paketen verwenden, die für die Mikrowellenbenutzung ausgewiesen sind. **Die Dauer der Vorbereitung von Popcorn hängt von der Wattleistung des Ofens ab.** Erhitzen einstellen, wenn die vom Popcorn ausgehenden Knallgeräusche nicht mehr zu hören sind. Andernfalls versengt oder verbrennt das Popcorn. Den Ofen jederzeit beaufsichtigen.
6. Im Ofen keine normalen Kochthermometer benutzen. Die meisten Kochthermometer enthalten Quecksilber, das einen Lichtbogen, Betriebsstörungen oder Beschädigung des Ofens verursachen kann.
7. Keine Metallgeräte im Ofen verwenden.
8. Niemals Papier, Plastik oder andere brennbare Materialien verwenden, die nicht zum Kochen vorgesehen sind.
9. Beim Kochen mit Papier, Plastik oder anderen brennbaren Materialien die Herstellerempfehlungen zur Produktverwendung beachten.
10. Kein Küchenpapier mit Nylon oder anderen Kunstfasern benutzen. Erhitzte Kunstfasern können schmelzen und zur Entzündung des Papiers führen.
11. Keine versiegelten Behälter oder Plastiktüten im Ofen erwärmen. Speisen oder Flüssigkeiten können sich schnell ausdehnen, was zum Brechen des Behälters oder Reißen der Tüte führen kann. Vor dem Kochen Behälter oder Tüte öffnen oder anstechen.
12. Einen Arzt oder Herzschrittmacherhersteller im Bezug auf die Auswirkungen von Mikrowellenenergie auf einen Herzschrittmacher konsultieren, um eine Fehlfunktion des Herzschrittmachers zu vermeiden.
13. Ein autorisierter Servicefachmann **MUSS** das Gerät einmal pro Jahr inspizieren. Alle Inspektionen und Reparaturen für die zukünftige Bezugnahme aufzeichnen.

# BEWAHREN SIE DIESE ANLEITUNGEN AUF



# WICHTIGE SICHERHEITSHINWEISE



Um die Gefahr von Verbrennungen, elektrischen Schlägen, Brand oder Körperverletzungen zu vermeiden, sind bei der Verwendung von elektrischen Geräten grundlegende Sicherheitsmaßnahmen zu befolgen.

1. Vor der Verwendung des Geräts sämtliche Anweisungen **LESEN**.
  2. Die speziellen „**VORSICHTSMASSNAHMEN GEGEN MÖGLICHE ÜBERMÄSSIGE MIKROWELLENBESTRAHLUNG**“ auf Seite 5 **LESEN UND BEFOLGEN**.
  3. Dieses Gerät **MUSS GEERDET** sein. Nur an eine ordnungsgemäß **GEERDETE** Steckdose anschließen. Siehe „**ERDUNGSHINWEISE**“ auf Seite 8.
  4. Dieses Gerät **AUSSCHLIESSLICH** gemäß den in diesem Handbuch enthaltenen Installationsanweisungen installieren bzw. aufstellen.
  5. Einige Produkte, wie z. B. Eier und verschlossene Behälter (z. B. verschlossene Gläser), können explodieren und sollten **NICHT** in diesem Gerät **ERWÄRMT** werden.
  6. Dieses Gerät **AUSSCHLIESSLICH** für den vorgesehenen Zweck wie in diesem Handbuch beschrieben verwenden. Keine Korrosionsmittel oder -gase in diesem Gerät verwenden. Dieser Gerätetyp wurde ausschließlich zum Erwärmen, Garen oder Trocknen von Nahrungsmitteln konzipiert. Er ist nicht für den industriellen Gebrauch oder Laboreinsatz geeignet.
  7. Wie auch bei anderen Geräten dürfen **KINDER** dieses Gerät nur unter **STRENGER AUFSICHT** verwenden.
  8. Dieses Gerät **NICHT** betreiben, wenn ein Kabel oder Stecker beschädigt ist, es nicht ordnungsgemäß funktioniert oder beschädigt oder fallen gelassen wurde.
  9. Dieses Gerät, einschließlich Netzkabel, darf **NUR** von qualifiziertem Kundendienstpersonal gewartet werden. Für die Wartung sind Spezialwerkzeuge erforderlich. Zur Überprüfung, Reparatur oder Einstellung den nächstgelegenen autorisierten Kundendienst kontaktieren.
  10. Filter und Öffnungen an diesem Gerät **NICHT** abdecken oder blockieren.
  11. Dieses Gerät **NICHT** im Freien lagern. Dieses Gerät **NICHT** in der Nähe von Wasser (z. B. in der Nähe eines Spülbeckens, in einem feuchten Keller, in der Nähe eines Schwimmbeckens oder Ähnlichem) verwenden.
  12. Das Kabel oder den Stecker **NICHT** in Wasser tauchen.
  13. Das Kabel von **ERWÄRMTE** Flächen **FERNHALTEN**.
  14. Das Kabel **NICHT** über eine Tischkante oder Arbeitsplatte herunterhängen lassen.
  15. Siehe Hinweise zur Reinigung der Tür auf Seite 8. Die Reinigung und Pflege sollte nicht von Kindern ohne Aufsicht ausgeführt werden.
  16. Folgendes beachten, um die Gefahr eines Brandes im Gerät zu vermeiden:
    - a. Speisen **NICHT** zu lange kochen. Das Gerät beaufsichtigen, wenn Papier, Plastik oder andere entzündbare Materialien zur Unterstützung des Kochvorgangs in das Gerät gelegt wurden.
    - b. Drahtverschlüsse von Papier- oder Kunststofftüten entfernen, bevor die Tüte in das Gerät gelegt wird.
    - c. Falls sich ein Material im Gerät entzündet haben sollte, die Gerätetür **GESCHLOSSEN** lassen, das Gerät ausschalten und das Netzkabel abziehen bzw. den Strom an der Sicherung bzw. am Leistungsschutzschalter ausschalten.
    - d. Den Innenraum des Geräts **NICHT** als Aufbewahrungsort verwenden. **KEINE** Papierprodukte, Küchenutensilien oder Speisen im Gerät lassen, wenn es nicht in Betrieb ist.
  17. Nur zur gewerblichen Nutzung.
  18. Gefährliche Wartungsarbeiten bzw. Reparaturen, bei denen Schutzabdeckungen abgenommen werden, dürfen nur von qualifizierten Facharbeitern vorgenommen werden.
  19. Wenn die Gerätetür oder Türdichtungen beschädigt sind, darf das Mikrowellengerät erst dann betrieben werden, wenn es von einem qualifizierten Facharbeiter repariert worden ist.
  20. Kinder unter 9 Jahren oder Personen mit verminderten physischen, sensorischen oder geistigen Fähigkeiten oder mangelnder Erfahrung oder Wissen dürfen dieses Gerät nicht benutzen, es sein denn unter Aufsicht oder Anweisung.
  21. Kinder dürfen nicht mit dem Gerät spielen.
  22. Es dürfen nur Utensilien verwendet werden, die sich für die Verwendung im Mikrowellengerät eignen.
  23. Beim Erwärmen von Speisen in Kunststoff- bzw. Papierbehältern muss stets darauf geachtet werden, dass sich die Speise nicht entzündet.
  24. Wenn Rauch aus dem Gerät austritt, das Gerät ausschalten und vom Netz trennen. Die Tür muss geschlossen bleiben, damit etwaige Flammen erstickt werden.
  25. Wird das Gerät nicht sauber gehalten, können die inneren und äußeren Oberflächen des Geräts Schaden nehmen, wodurch wiederum die Lebensdauer des Geräts beeinträchtigt und möglicherweise eine gefährliche Situation herbeigeführt werden kann.
  26. Das Gerät darf nicht mit einem Wasserstrahlgerät gereinigt werden (für Geräte, die auf dem Boden aufgestellt werden und nicht mindestens über die Schutzartkennzeichnung IPX5 verfügen).
  27. Flüssigkeiten und andere Speisen dürfen nicht in verschlossenen Behältern erwärmt werden, da diese explodieren können.
  28. Die Erwärmung von Getränken in der Mikrowelle kann zu einem verzögerten Siedevorgang führen. Beim Handhaben des Behälters ist daher mit Vorsicht vorzugehen.
- Besondere Anweisungen für Kombigeräte:**
29. **KEINE** überdimensional großen Speisen oder Utensilien in ein Mikrowellengerät/Umluftofen legen, da diese einen Brand, elektrischen Lichtbogen oder das Risiko eines elektrischen Schlags verursachen können.
  30. **NICHT** mit metallischem Scheuerschwamm reinigen. Es könnten sich Stücke vom Schwamm ablösen und die elektrischen Teile berühren, was das Risiko eines elektrischen Schlags in sich birgt.
  31. Im Umluft- oder Kombimodus **KEINE** Papierprodukte verwenden, die nicht für das Kochen unter hohen Temperaturen ausgelegt sind.
  32. **KEINE** anderen Materialien als die vom Hersteller empfohlenen Zubehörteile in diesem Gerät lagern, wenn es nicht in Betrieb ist.
  33. **KEINE** Teile des Geräts mit Metallfolie abdecken. Eine Einschränkung der Luftzufuhr führt zum Überhitzen des Geräts.
  34. **KEIN** Ofenreinigungsmittel auf die innere Rückwand des Geräts sprühen, da dies zur Verunreinigung und Beschädigung des Umlufttheizelements führt.

## DIESE HINWEISE AUFBEWAHREN



# WICHTIGE SICHERHEITSHINWEISE



Zur Vermeidung des Risikos von Körperverletzungen oder Sachschäden die folgenden Sicherheitshinweise beachten:

## Allgemeine Verwendung:

1. **Keine** normalen Küchenthermometer im Gerät verwenden. Die meisten Küchenthermometer enthalten Quecksilber und können einen elektrischen Lichtbogen, eine Fehlfunktion oder eine Beschädigung des Geräts verursachen.
2. Niemals Papier, Plastik oder andere entzündbare Materialien verwenden, die nicht zum Kochen vorgesehen sind.
3. Werden beim Kochen Papier, Plastik oder andere entzündbare Materialien eingesetzt, die Empfehlung des Herstellers zur Verwendung des Produkts befolgen.
4. **Keine** Papiertücher verwenden, die Nylon oder andere Synthetikfasern enthalten. Erwärmte Synthetikfasern können schmelzen und dazu führen, dass sich das Papier entzündet.
5. Das Gerät sauber halten, um eine Korrosion der Oberflächen zu vermeiden. Mangelhafte Sauberkeit kann die Nutzungsdauer des Geräts beeinträchtigen und möglicherweise zu gefährlichen Situationen führen.
6. Das Gerät regelmäßig reinigen und Speisereste entfernen.

## Erwärmen von Speisen und Flüssigkeiten:

7. Flüssigkeiten, wie beispielsweise Wasser, Kaffee oder Tee, können aufgrund der Oberflächenspannung von Flüssigkeiten über ihren Siedepunkt hinaus erhitzt werden, ohne dass dies erkennbar ist. Nicht immer zeigt sich ein Brodeln oder Aufwallen der Flüssigkeit, wenn das Gefäß aus dem Mikrowellenofen herausgenommen wird. **DIES KANN DAZU FÜHREN, DASS SEHR HEISSE FLÜSSIGKEITEN PLÖTZLICH ÜBERKOCHEN, WENN EIN LÖFFEL ODER ANDERES KÜCHENUTENSIL IN DIE FLÜSSIGKEIT GETAUCHT WIRD.** Um die Gefahr von Körperverletzungen zu vermeiden:
  - a. die Flüssigkeit nicht überhitzen,
  - b. die Flüssigkeit vor und während der Erwärmung (nach der halben Erwärmungszeit) umrühren,
  - c. keine zylindrischen Gefäße mit engem Hals verwenden,
  - d. das Gefäß nach der Erwärmung für kurze Zeit in der Mikrowelle stehen lassen, bevor es herausgenommen wird,
  - e. äußerste Vorsicht walten lassen, wenn ein Löffel oder anderes Küchenutensil in den Behälter eingetaucht wird.
8. **Nicht** im Gerät frittieren. Das Fett könnte sich überhitzen und gefährlich zu handhaben sein.
9. **Keine** Eier in der Schale oder mit intaktem Eigelb im Mikrowellenofen kochen oder aufwärmen. Dies kann zur Druckbildung und zum Zerbersten führen. Eigelb vor dem Kochen mit einer Gabel oder einem Messer einstechen.
10. Beim Garen von Kartoffeln, Tomaten oder ähnlichen Nahrungsmitteln im Mikrowellenofen die Schale bzw. Haut einstechen. Wenn die Schale bzw. Haut eingestochen wird, kann der Dampf gleichmäßig entweichen.
11. **Keine** dicht verschlossenen Behälter oder Plastikbeutel im Gerät erwärmen. Speisen oder Flüssigkeiten können

sich schnell ausdehnen und den Behälter oder Beutel platzen lassen. Behälter oder Beutel vor der Erwärmung einstechen oder öffnen.

12. **Keine** Babyflaschen im Gerät erwärmen.
13. Gläser mit Babynahrung sollten vor dem Erwärmen geöffnet und der Inhalt vor dem Verzehr gerührt oder geschüttelt werden, um Verbrennungen zu vermeiden.
14. Das Gerät niemals zum Erhitzen von Alkohol oder alkoholhaltigen Speisen verwenden, da sich diese bei Überhitzen schneller entzünden können.

## Zusätzliche Sicherheitshinweise für Mikrowellengeräte:

15. Das Gerät **nicht** ohne Kochgut betreiben.
16. Nur Popcorn in Verpackungen zubereiten, die für die Verwendung in Mikrowellenöfen vorgesehen und entsprechend ausgewiesen sind. **Die Zubereitungszeit ist von der Wattleistung des Geräts abhängig.** Den Erwärmungsvorgang nicht fortsetzen, wenn alle Körner gesprungen sind. Das Popcorn verbrennt sonst. Das Gerät nicht unbeaufsichtigt lassen.
17. **Keine** Metallutensilien im Gerät verwenden.
18. Das Gerät **MUSS** wenigstens einmal im Jahr von einem autorisierten Kundendienst geprüft werden. Alle Inspektionen und Reparaturen zur späteren Bezugnahme aufzeichnen.

## Zusätzliche Sicherheitshinweise für Kombigeräte:

19. **Kein** Popcorn in diesem Gerät zubereiten.
20. Metallutensilien in diesem Gerät nur dann verwenden, wenn dies von Herstellern von Mikrowellenspeisen empfohlen wurde oder das Rezept nach Metallutensilien im Umluft- oder Kombimodus verlangt. Speisen möglichst in Glas- oder Porzellanbehältern erhitzen.
21. Im Umluftmodus beträgt die Temperatur mindestens 232°C. Sicherstellen, dass der Hersteller von Plastik-, Papier- oder anderen leicht entzündbaren Materialien diese als widerstandsfähig gegenüber der maximalen Ofentemperatur ausgewiesen hat.
22. Ofenroste, Utensilien, Rostschienen und Ofenoberflächen können während und nach dem Gebrauch heiß werden. Falls notwendig Utensilien oder Schutzkleidung wie Topflappen oder trockene Ofenhandschuhe verwenden, um Verbrennungen zu vermeiden.
23. Das Gerät **nicht** direkt nach Gebrauch vom Netz trennen. Der interne Lüfter muss das Gerät abkühlen, um eine Beschädigung der elektrischen Bauteile zu vermeiden.
24. Achtung: Um Verbrennungen zu vermeiden, sollten Behälter, die mit Flüssigkeit gefüllt sind oder deren Inhalt sich bei Erwärmung verflüssigt, auf einer Höhe platziert werden, die einen Blick auf den Inhalt ermöglicht.

## DIESE HINWEISE AUFBEWAHREN

# Installation & Reinigung

## Auspacken des Geräts

- Das Gerät auf Schäden, wie z. B. Dellen in der Tür oder im Innenraum des Geräts, untersuchen.
- Dem jeweiligen Händler sofort eventuelle Dellen oder Schäden melden.  
**Nicht versuchen, ein beschädigtes Gerät zu betreiben.**
- Sämtliches Verpackungsmaterial aus dem Gerät entfernen.
- Wurde das Gerät an einem sehr kalten Ort gelagert, vor dem Anschließen an das Netz einige Stunden warten.
- Eine Schutzfolie wird verwendet, um ein Zerkratzen des äußeren Gehäuses während des Transports zu vermeiden. Diese Folie vor der Installation von der Außenseite des Geräts abziehen.
- Der zum Ofen mitgelieferte Warnaufkleber muss an einer gut sichtbaren Stelle in der Nähe des Ofens platziert werden.

## Funktstörungen

Der Mikrowellenbetrieb kann eine Störung von WiFi-Netzen, Radio- und Fernsehgeräten oder anderen Mikrowellenöfen verursachen. Folgende Punkte beachten, um Störungen zu reduzieren bzw. vollständig zu beseitigen:

- Tür und Dichtungsflächen des Geräts entsprechend den mitgelieferten Anweisungen reinigen.
- WiFi-Netz, Radio-, Fernsehgeräte usw. so weit wie möglich vom Mikrowellenofen entfernt aufstellen.
- Eine ordnungsgemäß installierte Antenne an Radio-, Fernsehgeräten usw. verwenden, um ein stärkeres Empfangssignal zu erhalten.

## Aufstellen des Geräts

- Das Gerät nicht neben oder über einer Wärmequelle, z. B. Pizzaofen oder Frittiergerät, installieren. Andernfalls kann die Funktion des Geräts bzw. die Lebensdauer der elektrischen Bauteile beeinträchtigt werden.
- Den Gerätefilter nicht abdecken oder blockieren. Den Zugang zu Reinigungszwecken ermöglichen.
- Das Gerät auf einer ebenen Fläche auf der Arbeitsplatte aufstellen.
- Die Steckdose für den Stecker des aufgestellten Geräts sollte leicht zugänglich sein.



## Reinigung von Innenraum, Außenflächen und Tür

### VORSICHT

Um die Gefahr eines elektrischen Schlags, einer schweren Körperverletzung oder Todesgefahr zu vermeiden, das Gerät vor der Reinigung vom Netz trennen oder den Leistungsschutzschalter des Gerätestromkreises öffnen.

Zum täglichen Reinigen des Geräts einen Schwamm oder ein weiches Tuch in eine Lösung aus mildem Reinigungsmittel und warmem Wasser tauchen. Den Schwamm oder das Tuch gut auswringen. Vor dem Reinigen ggf. eine Tasse Wasser im Gerät kochen lassen, um den Schmutz zu lösen. **Kochrückstände wie ÖL oder Fett NICHT für längere Zeit im Innenraum des Ofens lassen.**

- Kochrückstände NICHT im Innenraum des Ofens lassen.
- KEINE aggressiven oder ammoniakhaltigen Reinigungsmittel verwenden. Andernfalls kann die Lackierung beschädigt werden.
- KEINE ätzenden Reinigungsprodukte oder ammoniak-, phosphat- oder chlorhaltigen.
- KEIN Wasser auf den Boden des Geräts gießen.
- KEINE Druckreinigungsgeräte verwenden.
- Weitere Einzelheiten zu den Reinigungshinweisen finden Sie im Benutzerhandbuch online unter [www.acpsolutions.com](http://www.acpsolutions.com).

## DIESE HINWEISE AUFBEWAHREN

### WARNUNG

Um die Gefahr eines elektrischen Schlags oder Todesgefahr zu vermeiden, muss das Gerät geerdet sein und es dürfen keine Veränderungen am Netzstecker vorgenommen werden.



## Erdungshinweise

**Dieses Gerät MUSS geerdet sein.** Im Fall eines elektrischen Kurzschlusses wird bei einem ordnungsgemäß

geerdeten

Gerät die Gefahr eines elektrischen Schlags verringert, da der Strom durch den Erdungsdraht abgeleitet wird. Das Netzkabel dieses Geräts enthält einen Erdungsleiter und -stecker. Der Stecker muss an eine ordnungsgemäß installierte und geerdete Steckdose angeschlossen werden.

Wenn die Erdungsvorschriften nicht vollständig verstanden werden oder wenn Zweifel bestehen, ob das Gerät ordnungsgemäß geerdet ist, einen qualifizierten Elektriker oder Kundendiensttechniker zu Rate ziehen.

### **Kein Verlängerungskabel verwenden.**

Eine dreipolige Steckdose von einem qualifizierten Elektriker installieren lassen, wenn das Netzkabel des Geräts zu kurz ist. Dieses Gerät sollte an einen separaten Stromkreis mit einer wie in den (auf der Website von ACP unter [www.acpsolutions.com](http://www.acpsolutions.com) verfügbaren) Produktdaten angegebenen Spannung angeschlossen werden. Ist der Mikrowellenofen an einen Stromkreis mit anderen Geräten angeschlossen, können längere Kochzeiten erforderlich sein und Sicherungen durchbrennen.

### **Externe äquipotentiale**

#### **Erdungsklemme** (nur Exportgeräte)

Das Gerät verfügt über eine sekundäre Erdungsklemme. Diese Erdungsklemme bietet zusätzlich zum Erdungskontakt am Stecker einen externen Erdungsanschluss. Sie befindet sich außen an der Rückseite des Geräts und ist mit dem nachfolgenden Symbol gekennzeichnet:





## ACHTUNG

Gefahr bedingt durch übermäßiges Gewicht  
Zum Transportieren und Installieren des Ofens sind zwei Personen erforderlich, um Rücken- und andere Verletzungen zu vermeiden.

### Auspacken des Ofens

- Überprüfen Sie den Ofen auf Beschädigungen, wie Beulen an der Tür oder im Garraum.
- Melden Sie dem Händler unverzüglich alle Dellen und Bruchschäden.  
**Benutzen Sie den Ofen nicht, wenn er beschädigt ist.**
- Entfernen Sie alle Materialien aus dem Garraum.
- Wenn der Ofen an einem extrem kalten Ort gelagert war, warten Sie einige Stunden, bevor Sie in an das Stromnetz anschließen.

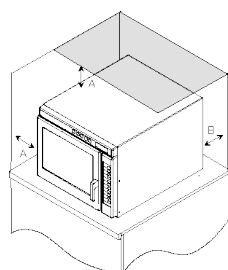
### Funktstörungen

Der Mikrowellenbetrieb kann zu Störungen des Radio-/Fernsehempfangs oder an ähnlichen Mikrowellenöfen führen. Gehen Sie wie folgt vor, um Störungen zu reduzieren oder zu vermeiden:

- Gemäß Anleitungen im Kapitel „*Pflege und Reinigung*“ die *Tür und Dichtungsflächen des Ofens reinigen*.
- Platzieren Sie Radio, Fernsehen, usw. möglichst weit vom Ofen entfernt.
- Verwenden Sie eine ordnungsgemäß installierte Radio-/Fernsehantenne, um den Signalempfang zu optimieren.

### Aufstellung des Ofens

- Installieren Sie den Ofen nicht neben oder über einer Wärmequelle wie einem Pizzaofen oder einer Fritteuse. Dies kann zu Störungen des Mikrowellenbetriebs führen und die Lebensdauer der elektrischen Teile verkürzen.
  - Ofenfilter nicht blockieren oder verstellen. Ermöglichen Sie den Zugang zum Reinigen.
  - Stellen Sie den Ofen auf eine gerade Arbeitsfläche.
  - Bringen Sie neben dem Mikrowellenofen gut sichtbar ein Warnschild an, falls vorhanden.
  - Der Anschluss sollte so positioniert sein, dass der Stecker bei installiertem Ofen gut zugänglich ist.
- A—Für nordamerikanische Modelle (UL/CSA) muss ein Abstand von wenigstens 5,1 cm zur Oberkante des Ofens einzuhalten. Achten Sie bei internationalen Modellen (50 Hz) auf einen Mindestabstand oberhalb des Ofens von 17,8 cm. Eine gute Luftzirkulation um den Ofen kühlt die Elektroteile. Bei einem eingeschränkten Luftfluss funktioniert der Ofen möglicherweise nicht korrekt und die Lebensdauer der Elektroteile verkürzt sich.
- B—Achten Sie zwischen Luftauslass an der Ofenrückseite und der Rückwand auf einen Mindestabstand von 6,5 cm.
- C – Ein Abstand von wenigstens 5,1 cm ist über und neben dem Ofen einzuhalten.



## ACHTUNG

Dieser Ofen muss geerdet werden, um der Gefahr eines Stromschlages unter Umständen mit Todesfolgen vorzubeugen.



## ACHTUNG

Der Stecker darf nicht verändert werden, um der Gefahr eines Stromschlages unter Umständen mit Todesfolgen vorzubeugen.



### Erdungsanleitungen Der Ofen **MUSS** geerdet werden.

Erdung reduziert das Stromschlagrisiko im Fall eines Kurzschlusses mithilfe eines Drahtes zur Ableitung des Stroms. Dieser Ofen verfügt über ein Elektrokabel mit einem Erdungsleiter und einem Schuko-Stecker. Der Stecker muss in eine ordnungsgemäß installierte und geerdete Steckdose gesteckt werden.

Fragen Sie einen qualifizierten Elektriker oder Servicefachmann, falls die Erdungsanleitungen unverständlich sind oder falls Zweifel an der ordnungsgemäßen Erdung des Ofens bestehen.

### Verwenden Sie kein Verlängerungskabel.

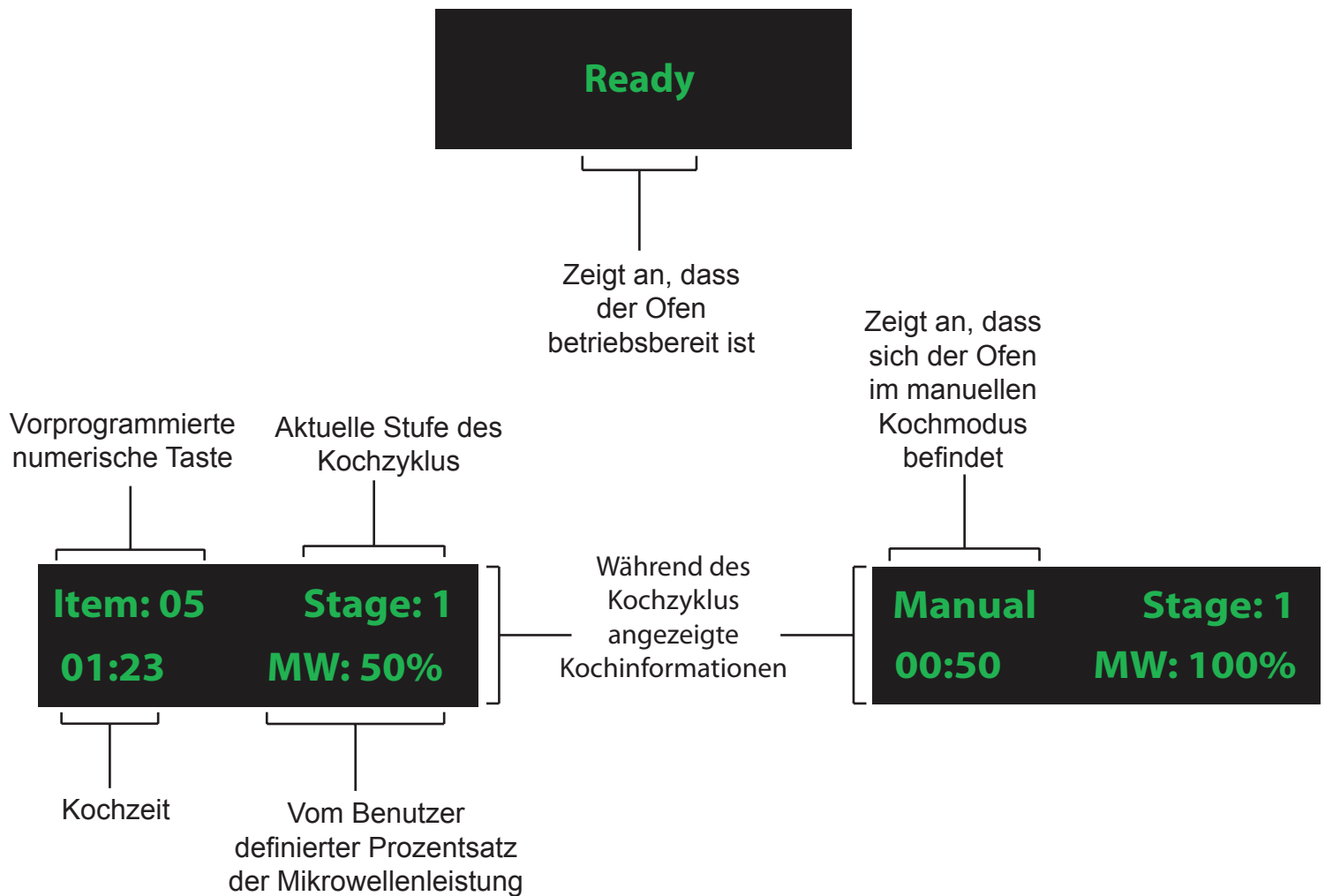
Wenn das Elektrokabel des Produkts zu kurz ist, ist von einem qualifizierten Elektriker eine Schuko-Steckdose zu installieren. Dieser Ofen sollte in einem separaten Stromkreis angeschlossen werden, dessen Anschlussleistung den Produktspezifikationen entspricht. Wenn ein Mikrowellenofen sowie andere Geräte an demselben Stromkreis angeschlossen sind, können sich Kochzeiten verlängern und Sicherungen durchbrennen.

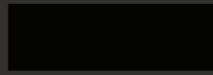
### Externe Potenzialausgleichsschiene (nur Export)

Das Gerät verfügt über eine zusätzliche Erdungsklemme. Die Klemme bietet einen externen Erdungsanschluss zusätzlich zum Erdungsstift am Stecker. Die Klemme befindet sich außen an der Ofenrückseite und ist mit folgendem Symbol gekennzeichnet.



## Mikrowellenofen-Display





## Manuelle Zeiteingabe-Taste

Mit der Zeiteingabe-Taste wird die Kochzeit entweder manuell eingegeben oder programmiert. Kochzeiten reichen von 1 Sekunden (00:01) bis zu 60 Minuten. Wenn eine Mikrowellenkochzeit von über 60 Minuten erforderlich ist, die Tür öffnen und den Zustand der Speisen vor dem Beginn eines neuen Kochzyklus kontrollieren. Die Verwendung der manuellen Zeiteingabe wirkt sich nicht auf die programmierten Einstellungen aus.



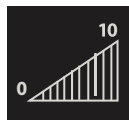
## Quantity-Taste (Menge)

Mit der Quantity-Taste wird eine voreingestellte Kochzeit für zwei Speiseportionen automatisch angepasst. Beim Drücken vor einem vorprogrammierten Kochzyklus passt der Ofen die Kochzeit automatisch an. Zum Löschen die Ofentür öffnen oder die STOP-Taste drücken. Für Anleitungen zur Gebrauch dieser Funktion siehe den Abschnitt Vorprogrammierte Tasten auf Seite 9 dieser Bedienungsanleitung.



## A/B-Taste

Die A/B-Taste schaltet zur Menüauswahl zwischen zwei Sets vorprogrammierter Menüeinstellungen hin und her. Bei Auswahl des Menüs A können die voreingestellten Programme 0 bis 9 (mit den Tasten 0 bis 9) aufgerufen werden. Bei Auswahl des Menüs B können die voreingestellten Programme 10 bis 19 (mit den Tasten 0 bis 9) aufgerufen werden.



## Power Level-Taste (Leistungsstufen)

Mit der Power Level-Taste kann der Benutzer die Leistungsstufe des Mikrowellenofens für unterschiedliche Kochzyklusstufen ändern. Für Anleitungen zum Programmieren der Leistungsstufe siehe Seite 10 des Abschnitts *Programmierung der Ofenbedienung* in dieser Bedienungsanleitung.



## Garen mit Kochstufen

Ein Benutzer kann mit der Tastatur bis zu vier unterschiedliche Stufen programmieren und dabei beide Leistungsstufen mit Zeitänderungen kombinieren. Jede Kombination wird als Kochstufe bezeichnet. Siehe Seite 10 des Abschnitts *Programmierung der Ofenbedienung* in dieser Bedienungsanleitung für weitere Informationen zu Kochabschnitten.



## PROGRAM SAVE-Taste (Programmspeicher-Taste).

Programme oder Einstellungen können vom Benutzer nach Belieben geändert und gespeichert werden. Für Anleitungen zum Abspeichern von Änderungen siehe Seite 9 bis 11 des Abschnitts *Programmierung der Ofenbedienung* in dieser Bedienungsanleitung.



## START-Taste

Über die START-Taste wird ein manuell eingegebener Kochzyklus gestartet.



## STOP-Taste

Mit der STOP-Taste wird ein laufende Kochsequenz beendet, die Restzeit gelöscht und ein Programmieroptionszyklus beendet.



## Versteckte Taste

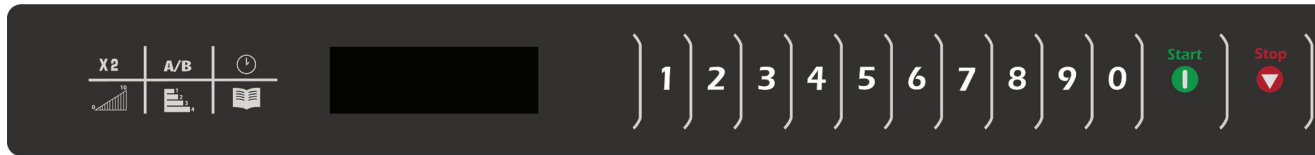
Die versteckte Taste kann vom Benutzer nach Belieben zur Anpassung der Ofenbedienung benutzt werden. Sie befindet sich rechts von der STOP-Taste. Für Gebrauchsanleitungen siehe Seite 11 des Abschnitts *Programmierung der Ofenbedienung* in dieser Bedienungsanleitung.

## Drehknopf

Der Drehknopf befindet sich rechts von der Tastatur und dient unterschiedlichen Zwecken. Bei Aktivierung kann der Benutzer den Knopf drehen, um die Gesamtkochzeit zu verkürzen oder zu verlängern. Bei Aktivierung kann der Benutzer auch den Knopf drücken, um einen ausgewählten Kochzyklus zu starten. Für Informationen zur Bedienung dieser Funktion siehe Seite 11 und 12 des Abschnitts *Programmierung der Ofenbedienung* in dieser Bedienungsanleitung.

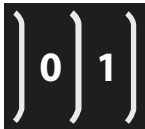


# Display und Funktionen



## Programmieren mit einer Taste

Jede nummerierte Taste kann für eine bestimmte Speise programmiert werden wie beispielsweise Auftauen und dann Kochen von Gemüse oder anderem Gefriergut. Zum Einsatz dieser Funktion einfach die Taste mit der gewünschten Zeitdauer und Kochstufe programmieren. Zum Einsatz dieser Funktion die Taste einmal drücken, und die Mikrowelle startet den Kochvorgang. Für Anleitungen siehe Seite 10 bis 11 des Abschnitts *Programmierung der Ofenbedienung* in dieser Bedienungsanleitung.



## Programmieren mit zwei Tasten

Bei Aktivierung können maximal bis zu 100 Programme mit dieser Funktion gespeichert werden. Jeder Eingabe wird eine zweistellige Zahl zugewiesen wie beispielsweise 01, 05 oder 20. Bei Aktivierung der Programmierung mit zwei Tasten, müssen zum Starten des Kochzyklus zwei Tasten gedrückt werden.

## USB-Kompatibilität

Ein Standard-USB-Flash-Laufwerk ist mit dem Mikrowellenofen kompatibel, sodass der Benutzer vorprogrammierte Einstellungen auf dem Laufwerk abspeichern kann. Somit brauchen die Einstellungen nicht direkt auf der Tastatur eingegeben werden.



## Kochen nur mit oberer oder unterer Kochzone

Mit den Funktionen Kochen nur mit oberer Kochzone oder nur mit unterer Kochzone kann der Benutzer festlegen, ob die Mikrowelle während des Kochzyklus mit oberer Kochzone oder nur mit unterer Kochzone kocht. Bei Auswahl von "Top only" (nur obere Kochzone) laufen nur die oben installierten Magnetronen. Bei Auswahl von "Bottom only" (nur untere Kochzone) laufen nur die unten installierten Magnetronen. Siehe Seite 10 für weitere Informationen zu dieser Funktion.

## Benutzeroptionen

Benutzeroptionen wie beispielsweise Pieptonlautstärke oder Anzahl der programmierbaren Tasten können geändert und gespeichert werden. Zum Ändern verschiedener Optionen siehe Seite 11 der Abschnitts *Programmierung der Ofenbedienung* in dieser Bedienungsanleitung.

## Unterbrechung des Kochzyklus in der Mitte des Zyklus

Die Kochunterbrechung ist eine einzigartige Funktion dieser Mikrowellenserie. Dadurch können weitere Zutaten hinzugefügt werden, der Kochfortschritt überprüft werden oder kann man die Speisen ggf. zwischen Kochzyklen ruhen lassen. Bei einer Unterbrechung mitten im Kochzyklus ertönt ein durchgängiger Piepton und PROGRAM PAUSE (Programmunterbrechung) wird angezeigt, bis die Ofentür geöffnet und wieder geschlossen wird. Zum Fortsetzen des Zyklus die START-Taste drücken. Zum Einsatz dieser Funktion siehe den Abschnitt *Programmierung der Ofenbedienung* in dieser Bedienungsanleitung.



## Was ist Kochen in Stufen?

Durch Kochstufen lassen sich verschiedene Kochzyklen, oder Stufen, nacheinander durchführen, ohne dass der Benutzer die Einstellungen erneut vornehmen muss. Kochstufen können so eingestellt werden, dass die Speisen zuerst aufgetaut, dann gekocht und anschließend bis zum Servieren warm gehalten werden. Die Kochzeit insgesamt für alle Stufen darf 60 Minuten nicht überschreiten. Für Informationen zur Bedienung dieser Funktion siehe Seite 10 des Abschnitts *Programmierung der Ofenbedienung* in dieser Bedienungsanleitung.

# Benutzung der Ofenbedienung

## Manuelle Zeiteingabe

Kochen mit Eingabe einer bestimmten Kochzeit und Leistungsstufe.

- Die Ofentür öffnen und die Speisen in den Ofen stellen. Schließen Sie die Tür.
  - READY (Bereit)** wird angezeigt. Gebläse und Licht werden eingeschaltet.
- Die TIME ENTRY-Taste (Zeiteingabe) drücken.
  - Wenn die Taste nicht funktioniert, die Ofentür öffnen und wieder schließen und nochmals versuchen.
- Mit den numerischen Tasten die Kochzeit eingeben.
- Die KOCHSTUFEN-Taste drücken, um die Kochstufe zu ändern.
  - Mit den Tasten 1 (10%) bis 9 (90%) kann die Mikrowellenleistung gesenkt und erhöht werden.
- Wenn Sie in Kochstufen garen möchten, die STAGE-Taste (Stufe) drücken und die Schritte 2 und 4 wiederholen.
  - Es können bis zu vier verschiedene Kochstufen programmiert werden.
- Die START-Taste drücken.
  - Der Ofen läuft und das Zeitdisplay zählt rückwärts.
- Am Ende des Kochzyklus ertönt ein akustisches Signal und der Ofen schaltet sich ab. **DONE (Fertig)** wird angezeigt.



## Kochen in einer Mikrowelle

Beim Kochen in einer Mikrowelle werden die Speisen mit hochfrequenten Energiewellen erhitzt. Beim Kochen werden die Moleküle in den Lebensmitteln durch die Energie der Mikrowellen schnell bewegt. Diese schnelle Bewegung erzeugt Wärme, wodurch die Speisen gekocht werden.

## Kann eine Mikrowelle ohne Gargut sicher betrieben werden?

Das Betreiben einer Mikrowelle ohne Gargut kann die elektrischen Bauteile ernsthaft beschädigen. Wenn Speisen in den Ofen gestellt werden, absorbieren die Speisen die vom Magnetron erzeugte Mikrowellenenergie. Ohne Speisen im Ofen kann die Energie nicht absorbiert werden. Die Energie prallt an den Wänden des Garraums ab und wird zum Wellenleiter zurückgeleitet. Dies kann zu Lichtbogenbildung und Bränden führen und das Magnetron kann durchbrennen.

## Vorprogrammierte Tasten

Kochen von Speisen mit vorprogrammierten Tasten.

Für Anleitungen zum Programmieren von Tasten Seite 10 des *Abschnitts Programmierung der Ofenbedienung in dieser Bedienungsanleitung*.

- Die Ofentür öffnen und die Speisen in den Ofen stellen. Die Tür schließen.
  - READY (BEREIT)** wird angezeigt. Gebläse und Licht werden eingeschaltet.
- Die gewünschte Taste drücken.
  - Für die Eingabe mit einer Taste nur eine Taste drücken.
  - Für die Eingabe mit zwei Tasten beide Tasten mit den jeweiligen Ziffern drücken.
  - Zum Ändern einer Eingabe mit einer oder mit zwei Tasten siehe den Abschnitt *Benutzeroptionen* in dieser Bedienungsanleitung.
- Beim Kochen von zwei gleichen Speisen die QUANTITY-Taste (Menge) vor einem vorprogrammierten Kochzyklus drücken. Der Ofen passt das Programm automatisch an.
  - Das Display zeigt **DOUBLE (Doppelt)** an.
  - Zum Löschen die Ofentür öffnen und schließen oder die **STOP**-Taste drücken.
- Der Ofen startet den Kochvorgang.
  - Für zusätzliche Kochzeit die vorprogrammierte numerische Taste nochmals drücken.
- Am Ende des Kochzyklus ertönt ein akustisches Signal und der Ofen schaltet sich ab. **DONE (Fertig)** wird angezeigt.



## Auftauen von Speisen mit einer kommerziellen Mikrowelle

Nicht alle kommerziellen Mikrowellen haben eine Auftau-Taste, wie sie bei Haushaltsmikrowellen üblich ist. Zum Auftauen einfach die Mikrowellenleistungsstufe 20% verwenden.

## Wie kann man feststellen, ob ein Behälter mikrowellensicher ist?

Zum Prüfen der Mikrowellensicherheit eines Behälters diesen neben einen mit Wasser gefüllten Behälter in die Mikrowelle stellen, *der mikrowellensicher ist*. Die Mikrowelle eine Minute lang laufen lassen. Wenn der zu testende Behälter warm oder heiß ist, ist er nicht mikrowellensicher.

### Einstellungen ab Werk

Taste	Zeit
1	10 Sek.
2	20 Sek.
3	30 Sek.
4	40 Sek.
5	1 Min.

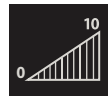
Taste	Zeit
6	1,30 Min.
7	2 Min.
8	3 Min.
9	4 Min.
0	5 Min.

# Programmierung der Ofenbedienung

## Programmiertasten

Der Ofen wird ab Werk für die Programmierung mit einer Taste versandt. Siehe den Abschnitt *Benutzeroption*, um die Programmiervorgabe des Ofens auf Programmierung mit 2 Tasten zu ändern. Programmierung von Kochzeit oder Leistungsstufe für eine Taste:

1. **READY** (Bereit) muss angezeigt werden. Wenn nicht, die Tür öffnen und schließen.
2. Die PROGRAM SAVE-Taste (Programmspeicher) drücken.
  - Der Programmierungsmodus startet
  - "Enter Program to Add/Review" (Programm eingeben zum Hinzufügen/Nachprüfen) wird angezeigt.
3. Die gewünschte numerische Taste drücken, die programmiert werden soll.
  - Es werden alle Einstellungen für die Taste angezeigt.
  - Die Nummer der Taste, die programmiert wird, wird neben dem Wort **ITEM** (Artikel) angezeigt
4. Die TIME ENTRY-Taste (Zeiteingabe) drücken, um die Kochzeit zu programmieren.
  - Die gewünschte Kochzeit mit den numerischen Tasten eingeben.
  - Die Höchstkochzeit beträgt 60 Minuten
5. Die POWER LEVEL-Taste (Leistungsstufe) drücken, um die Mikrowellenleistung zu programmieren.
  - Sie können die Mikrowellenleistung mit den Tasten 1 (10%) bis 9 (90%) senken.
  - Die numerische Taste für die gewünschte Stufe drücken. Dieselbe numerische Taste drücken, um die Leistungsstufe auf 100% zu setzen.
6. Die PROGRAM SAVE-Taste (Programmspeicher) drücken, um Änderungen zu speichern.
7. Mit der STOP/RESET-Taste kann man die Änderungen verwerfen.



## Programmieren für Kochen nur mit oberer Kochzone oder nur mit unterer Kochzone

1. Die POWER LEVEL-Taste (Leistungsstufe) drücken. Die gewünschte Mikrowellenleistung auswählen und programmieren.
2. Wenn die POWER LEVEL-Taste (Leistungsstufe) ein zweites Mal gedrückt wird, wird die Option "Top Only" Heating (Erhitzen nur mit oberer Kochzone) gewählt und angezeigt.
3. Wenn die POWER LEVEL-Taste (Leistungsstufe) ein drittes Mal gedrückt wird, wird die Option "Bottom Only" Heating (Erhitzen nur mit unterer Kochzone) gewählt und angezeigt.
4. Wenn die POWER LEVEL-Taste (Leistungsstufe) ein viertes Mal gedrückt wird, wird der Ofen zurückgesetzt und es wird mit der oberen und unteren Kochzone erhitzt.

Kochen nur mit der oberen Kochzone

Manual Stage: 1  
00:00 MW: 50%



Kochen nur von unten

Manual Stage: 1  
00:00 MW: 50%



Kochen mit oberer und unterer Kochzone

Manual Stage: 1  
00:50 MW: 100%



## Programmieren mehrerer Kochstufen

Mit Kochstufen können mehrere Kochzyklen direkt hintereinander durchgeführt werden.

Mit einer Speichertaste können bis zu vier verschiedene Kochzyklen programmiert werden.

Einstellung der Kochstufen:

1. Befolgen Sie die Schritte 1 bis 5.
6. STAGE (Stufe) drücken.
  - Die nächste Kochstufe wird dann programmiert
  - Auf dem Display wird die zu programmierende Stufe angezeigt
  - Die Kochzeit und Kochstufe wie in den Schritten 4 und 5 eingeben
  - Um eine andere Kochstufe für die Taste einzugeben, die STAGE-Tasten (Stufe) erneut drücken
  - Es können bis zu vier verschiedene Kochstufen programmiert werden.
  - Die gesamte Mikrowellenkochzeit (alle Kochstufen) beträgt 60 Minuten.
7. Die PROGRAM SAVE-Taste (Programmspeicher) drücken, um die Programmierung und Änderungen zu speichern.
8. Die STOP/RESET-Taste drücken, bevor die PROGRAM SAVE-Taste (Programmspeicher) gedrückt wird, um die Änderungen zu verwerfen.



# Programmierung der Ofenbedienung

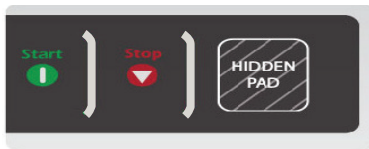
## Unterbrechung des Kochzyklus in der Mitte des Zyklus

Einfügen einer Unterbrechung in einen programmierten Kochzyklus:

1. Nach Eingabe der Zeit oder Leistungsstufe die VERSTECKTE TASTE drücken.
2. Es ertönt ein kurzer Piepton. Dies zeigt an, dass eine Unterbrechung mitten im Zyklus programmiert wurde.
3. Die Programmierung der Taste wie gewünscht fortsetzen.

Löschung einer Unterbrechung in einem programmierten Kochzyklus:

1. Nach Eingabe der Zeit oder Leistungsstufe die VERSTECKTE TASTE drücken.
2. Es ertönt ein kurzer Piepton. Dies zeigt an, dass eine Unterbrechung mitten im Zyklus gelöscht wurde.
3. Die Programmierung der Taste wie gewünscht fortsetzen.



Versteckte Taste

## Mit dem USB-Flash-Laufwerk

1. **READY** (Bereit) muss angezeigt werden. Wenn nicht, die Tür öffnen und schließen.
2. Die Tür ganz öffnen.
3. Das USB-Flash-Laufwerk einstecken.
4. Die Taste 5 drücken, bis auf dem Display "USB" angezeigt wird.
5. Die **Taste 1** drücken, um das Programm **VOM** USB-Flash-Laufwerk **ZUM** Ofen zu übertragen.
  - Die **Taste 2**, um das Programm **VOM** Ofen **ZUM** USB-Flash-Laufwerk zu übertragen.
6. Die START-Taste drücken, um mit dem Übertragen zu beginnen.
  - Auf dem Display steht "Kontaktaufnahme mit USB-Karte".
  - Dann wird "Transferring data from USB to oven" (Übertragen der Daten von USB auf Ofen) oder umgekehrt angezeigt.
7. Nach dem erfolgreichen Übertragen der Programmierung steht auf dem Display "Done - Loaded \_\_ Programs" (Fertig - Geladen \_\_ Programme).
  - Die Tür schließen, um das Display zu Löschen und mit einem Kochzyklus zu beginnen.
8. **Fehlercodes:**
  - **Keine Datei:** USB-Flash-Laufwerk ist leer oder verfügt nicht die korrekte(n) Datei(en), die für den Betrieb erforderlich sind.



## Ändern der Benutzeroptionen

Optionen wie die Programmierung mit einer oder zwei Tasten und Lautstärke des akustischen Signals können individuellen Präferenzen angepasst werden.

**Wenn der Ofen gerade eingeschaltet wurde, muss die Tür vor dem Fortfahren geöffnet und geschlossen werden:**

1. Fest auf die versteckte Taste recht von der STOP-Tastatur drücken.
  - Taste ist nicht markiert
  - Wenn die versteckte Taste gedrückt wird, erscheint im Display keine Anzeige.
2. Die PROGRAM SAVE-Taste (Programmspeicher) drücken.
  - Der erste Benutzer-Option wird angezeigt. Ofen ist nun im Optionsmodus.
3. Die gewünschte numerische Taste drücken, um Änderungen in Optionen zu steuern.
  - Siehe Tabelle auf der nächsten Seite für Optionen.
  - Die aktuelle Option wird angezeigt.
4. Dieselbe numerische Taste nochmals drücken, um die Einstellung zu deaktivieren oder aktivieren.
  - Die Option ändert sich mit jeder Betätigung der Taste.
  - Wiederholen Sie die Schritte 3 und 4, um weitere Optionen zu ändern.
5. Die PROGRAM SAVE-Taste (Programmspeicher) drücken, um in den READY-Modus (Bereitschaftsmodus) zurückzukehren. Änderungen treten unverzüglich in Kraft. Die Stop-Taste drücken, um ohne Speichern abzubrechen.



# Tabelle mit Benutzeroptionen

<b>Numerische Tasten</b>	<b>Displays</b>	<b>Optionen</b>
<b>1</b> Zweistellige numerische Eingabe	<b>Deaktiviert</b> Aktiviert	<b>10 (0 - 9) vorprogrammierte Tasten möglich.</b> 100 (00 - 99) vorprogrammierte Tasten möglich.
<b>2</b> Manuelle Programmierung	Deaktiviert <b>Aktiviert</b>	Manuelle Zeiteingabe/Kochen nicht erlaubt <b>Manuelle Zeiteingabe/Kochen erlaubt</b>
<b>3</b> Zurücksetzen bei Türöffnung	<b>Deaktiviert</b> Aktiviert	<b>Beim Öffnen der Tür wird der Ofen nicht in den Bereitschaftsmodus zurückgesetzt.</b> Beim Öffnen der Tür wird der Ofen in den Bereitschaftsmodus zurückgesetzt.
<b>4</b> Tastenton	AUS <b>EIN</b>	Kein Tastenton beim Drücken <b>Tastenton beim Drücken</b>
<b>5</b> Lautstärke	AUS NIEDRIG MEDIUM <b>HOCH</b>	Tastentonlautstärke AUS Tastentonlautstärke NIEGRIG Tastentonlautstärke MITTEL <b>Tastentonlautstärke LAUT</b>
<b>6</b> Signal für Kochzeitende	<b>Durchgehender Piepton</b> 3 Sekunden langer Piepton Einmal 4 Pieptöne Wiederholt 4 Pieptöne	<b>Fertig-Signal ist ein langer Piepton, bis vom Anwender zurückgesetzt</b> Fertig-Signal ist ein drei Sekunden langer Piepton Fertig-Signal ist vier durchgängige Pieptöne Fertig-Signal ist viermal vier Pieptöne
<b>7</b> Tastatur aktiv	15 Sekunden 30 Sekunden <b>60 Sekunden</b> 120 Sekunden Immer	Tastatureingabe-Zeitfenster beträgt 15 Sekunden Tastatureingabe-Zeitfenster beträgt 30 Sekunden <b>Tastatureingabe-Zeitfenster beträgt eine Minute</b> Tastatureingabe-Zeitfenster beträgt zwei Minuten Tastatureingabe-Zeitfenster beträgt ist immer aktiv
<b>8</b> Knopf zum Umschalten während des Betriebes	<b>Deaktiviert</b> Aktiviert	<b>Deaktiviert Drehen des Knopfes zur Eingabe des manuellen Modus</b> Erlaubt Drehen des Knopfes zur Eingabe des manuellen Zeiteingabemodus, erlaubt Drücken des Knopfes zum Starten des Ofens und erlaubt Drehen des Knopfes zum Hinzufügen von Zeit vor Beginn des Kochzyklus
<b>9</b> Manueller Knopf	Deaktiviert <b>Aktiviert</b>	Vollständiges Deaktivieren des Knopfes <b>Aktiviert Knopf gemäß Option 8</b>
<b>0</b> Kochen mit oberer und unterer Kochzone	<b>Deaktiviert</b> Aktiviert	<b>Deaktiviert Kochen nur mit oberer und unterer Kochzone</b> Aktiviert Kochen nur mit oberer und unterer Kochzone
<b>Zeiteingabe-Taste</b> Schnellkoch-Taste	<b>Deaktiviert</b> Aktiviert	<b>Deaktiviert die Betätigung zusätzlicher Tasten während des Kochzyklus</b> Mit dieser Funktion können zusätzliche Tasten zum Hinzufügen oder Ändern der Zeit mitten im Kochzyklus ohne Unterbrechung gedrückt werden
<b>X2-Taste</b> X2-Prompt	Deaktiviert <b>Aktiviert</b>	Deaktiviert X2-Prompt <b>Aktiviert X2-Prompt</b>
<b>A/B-Taste</b> A/B-Menüs	<b>Deaktiviert</b> Aktiviert	<b>Deaktiviert A/B-Menüs</b> Aktiviert A/B-Menüs
<b>Power Level-Taste (Leistungsstufe)</b> Zurück zum Menü	<b>A</b> <b>B</b> Zuletzt ausgewählt	<b>Zurück zu Menü A</b> Zurück zu Menü B Zurück zum zuletzt gewählten Menü
<b>Stage-Taste (Stufe)</b> Mitteilung zum Säubern des Filters (Häufigkeit)	Deaktiviert <b>Wöchentlich</b> Monatlich Vierteljährlich	Der Ofen zeigt die Meldung "CLEAN FILTER" (Filter säubern) nicht an <b>Der Ofen zeigt alle sieben (7) Tage die Meldung "CLEAN FILTER" an.</b> Der Ofen zeigt alle 30 Tage die Meldung "CLEAN FILTER" (Filter säubern) an. Der Ofen zeigt alle 90 Tage die Meldung "CLEAN FILTER" (Filter säubern) an.

Fettgedruckte Optionen sind Werksvorgaben.



## Innenraum, Außenflächen und Tür

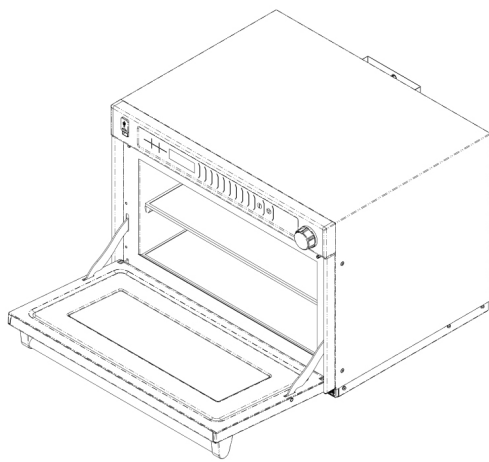
Den Mikrowellenofen mit einem milden Reinigungsmittel in warmem Wasser und einem weichen Schwamm oder Tuch reinigen. Vor dem Abwischen des Geräts überschüssiges Wasser aus dem Schwamm oder das Tuch auswringen. Bei Bedarf vor dem Reinigen eine Tasse Wasser im Mikrowellenofen kochen, um Schmutz zu lösen. **Sicherstellen, dass sich KEINE Fettreste im Ofeninneren befinden.**

- Sicherstellen, dass sich KEINE Kochreste im Garraum befinden.
- KEINE Scheuermittel oder salmiakhaltigen Reinigungsmittel verwenden, da sie Schäden verursachen können.
- NIEMALS Wasser auf den Boden des Mikrowellenofens gießen.
- KEINE Reinigungssysteme mit hohem Wasserdruck verwenden.

## Säubern des Luftfilters

Einmal in der Woche den Luftfilter reinigen, um ausreichende Luftströmung zu gewährleisten. Der Ofen darf NUR mit eingelegtem Filter benutzt werden.

- Unter der Ofentür befinden sich zwei magnetische Filter.
- Die Filter mit einem Waschlappen sowie heißem Wasser und mildem Reinigungsmittel oder in einer Spülmaschine waschen.



### ⚠ ACHTUNG

Die Luftfilter regelmäßig reinigen, um Beschädigung des Ofens zu vermeiden.

### ⚠ ACHTUNG

Um einen elektrischen Schlag, der schwere Verletzungen oder Tod verursachen kann, zu vermeiden, vor der Ofenreinigung das Netzkabel abziehen oder den Leistungsschalter öffnen.

### ⚠ ACHTUNG

Den Ofen nur mit angebrachtem Spritzschutz betreiben, um den Ofen nicht zu beschädigen. Lichtbögen beschädigen den Garraum und Antennen, wenn der Ofen ohne angebrachten Spritzschutz betrieben wird.

# Vor dem Anruf beim Wartungsdienst

## **ACHTUNG**

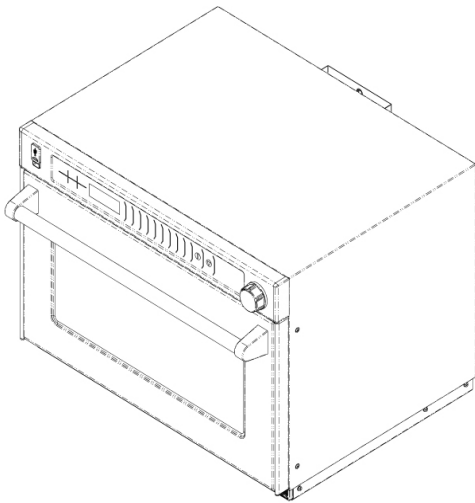
Auf keinen Fall das Gehäuse abnehmen, um schwere Verletzungen oder Tod durch Stromschlag zu vermeiden. Das Gehäuse darf nur von einem autorisierten Servicefachmann entfernt werden.

Problem	Mögliche Ursache
Ofen funktioniert nicht.	Sicherstellen, dass der Ofen am richtigen Stromkreis angeschlossen ist.  Sicherstellen, dass der Ofen an einen geerdeten und verpolungssicheren Stromkreis angeschlossen ist.  Den Leistungsschalter überprüfen.
Der Ofen setzt manchmal aus.	Überprüfen Sie das Luftfilter und die Austrittsbereiche auf Blockierungen.
Beim Drücken von Tasten reagiert der Ofen nicht.	Sicherstellen, dass der Ofen eingeschaltet.  Die Tür öffnen und schließen. Die Taste erneut drücken.
Wenn der Ofen nicht funktioniert oder CALL SERVICE (Anruf beim Wartungsdienst) oder ERROR (Fehler) mit einer Ziffer anzeigt.	Die Ofenbedienung ist mit einem Selbstdiagnosesystem ausgestattet. Das Selbstdiagnosesystem alarmiert Sie, wenn eine Störung oder ein Problem vorliegt. Wenn die Steuerelektronik ein Problem anzeigt, sind die folgenden Schritte zu befolgen:  1. Notieren Sie die angezeigte Ziffer. 2. Den Ofenstecker aus der Steckdose ziehen. Eine (1) Minute lang warten. Den Ofenstecker wieder in die Steckdose stecken. • Wenn der Ofenstecker abgezogen wird, wird der Service-Code möglicherweise gelöscht. Wenn die Störung nicht behoben werden kann, ComServ unter der Telefonnummer 1-866-426-2621 anrufen oder einen autorisierten ACP-Service-dienst kontaktieren.
Der Ofen funktioniert, erhitzt jedoch die Speisen nicht.	Eine Tasse kühles Wasser in den Ofen stellen. Den Ofen eine (1) Minute lang mit voller Leistung (100%) laufen lassen. Wenn die Temperatur nicht ansteigt, funktioniert der Ofen nicht richtig. ComServ unter der m 1-866-426-2621 anrufen oder einen autorisierten ACP-Service-dienst kontaktieren.
HOT (Heiß) wird angezeigt.	Das Magnetron des Ofens ist überhitzt. Der Ofen unterbricht automatisch die Kochsequenz und schaltet das Kühlgebläse ein, bis die Normaltemperatur wieder erreicht ist. Wenn sich die Magnetronen wieder auf Normaltemperatur abgekühlt haben, kehrt der Ofen den READY-Modus (Bereitschaftsmodus) zurück.
CALL SERVICE (Service anrufen) (blinkt nach Kochzyklus)	Ofen funktioniert unter Umständen nicht mit voller Leistung. ComServ unter der Telefonnummer 1-866-426-2621 anrufen oder einen autorisierten ACP-Service-dienst kontaktieren.



# Manual del usuario

**ESTE HORNO ESTÁ DESTINADO EXCLUSIVAMENTE AL USO COMERCIAL**



## Horno comercial de microondas

Conserve estas instrucciones como referencia futura. Si el horno cambia de dueño, asegúrese de que este manual acompañe al horno.

### Índice

Identificación del modelo.....	2
Precauciones para evitar la exposición a un exceso de energía de microondas.....	2
Instrucciones de seguridad importantes .....	3-4
Instrucciones para la puesta a tierra .....	5
Instalación .....	5
Pantalla y funciones .....	6-8
Uso de los controles del horno.....	9
Programación de los controles del horno .....	10-11
Cambio de las opciones del usuario	11
Tabla de opciones del usuario.....	12
Cuidado y limpieza .....	13
Antes de llamar al servicio.....	14

# Identificación del modelo

Cuando se ponga en contacto con ACP, debe presentar la información del producto. La información del producto se encuentra en la placa del número de serie del horno. Registre la siguiente información:

Número de modelo: \_\_\_\_\_

Número de fabricación: \_\_\_\_\_

Número de serie o S/N: \_\_\_\_\_

Fecha de compra: \_\_\_\_\_

Nombre y dirección del minorista: \_\_\_\_\_

Por cualquier pregunta o para hallar un proveedor de servicios ACP autorizado, llame al número gratuito 1 866 426 2621 desde EE.UU. o Canadá, o al +1 319 368 8120 desde fuera de EE.UU. o Canadá. El servicio de garantía debe llevarlo a cabo un proveedor de servicios ACP autorizado. ACP también recomienda ponerse en contacto con un proveedor de servicio ACP autorizado si se necesita servicio después del vencimiento de la garantía.

## INSTRUCCIONES DE SEGURIDAD IMPORTANTES



Sirve para alertarle sobre posibles peligros de sufrir lesiones. Cumpla con todos los mensajes de seguridad que siguen a este símbolo para evitar posibles lesiones o la muerte. Cuando se usan equipos eléctricos se deben seguir las precauciones básicas de seguridad, para reducir el riesgo de quemaduras, choques eléctricos, incendio o lesiones.

### PRECAUCIONES PARA EVITAR UNA POSIBLE EXPOSICIÓN A UN EXCESO DE ENERGÍA DE MICROONDAS

- A. **NO** intente operar este horno con la puerta abierta ya que su uso con la puerta abierta puede causar una exposición nociva a la energía de microondas. Es importante no anular o modificar los bloqueos de seguridad integrados.
- B. **NO** coloque ningún objeto entre la parte frontal del horno y la puerta, ni permita que se acumulen desperdicios o residuos de limpiador en las superficies de sellado.
- C. **NO** opere el horno si se ha dañado. Es particularmente importante que la puerta del horno se cierre adecuadamente y que no presente daños en:
  - 1. la puerta (doblada)
  - 2. bisagras y cierres (rotos o flojos)
  - 3. sellos de puertas y superficies de sellado
- D. El horno no debe ser ajustado o reparado por nadie salvo personal de servicio debidamente calificado.

## GUARDE ESTAS INSTRUCCIONES

# INSTRUCCIONES DE SEGURIDAD IMPORTANTES



Sirve para alertarle sobre posibles peligros de sufrir lesiones. Cumpla con todos los mensajes de seguridad que siguen a este símbolo para evitar posibles lesiones o la muerte.



## ADVERTENCIA

Cuando se usan equipos eléctricos se deben seguir las precauciones básicas de seguridad, para reducir el riesgo de quemaduras, choques eléctricos, incendio o lesiones.

1. **LEA** todas las instrucciones antes de usar el equipo.
  2. **LEA Y SIGA** las instrucciones específicas de “**PRECAUCIONES PARA EVITAR UNA POSIBLE EXPOSICIÓN A UNA ENERGÍA DE MICROONDAS EXCESIVA**” en la página 2.
  3. Este equipo **DEBE CONECTARSE A MASA**. Conecte únicamente a una toma eléctrica debidamente **PUESTA A MASA**. Vea las “**INSTRUCCIONES DE CONEXIÓN A MASA/TIERRA**” en la página 5.
  4. Instale o coloque este horno **ÚNICAMENTE** conforme a las instrucciones de instalación presentadas en este manual.
  5. Algunos productos, como el huevo con cáscara y los recipientes cerrados, por ejemplo las jarras de cristal cerradas, podrían explotar y por ello **NO DEBEN CALENTARSE** en este horno.
  6. Este equipo debe usarse **ÚNICAMENTE** para el servicio para el cual se ha diseñado y como se describe en este manual. No use vapores o productos químicos corrosivos en este equipo. Este tipo de horno se ha diseñado específicamente para calentar, cocinar o secar alimentos. No está diseñado para uso industrial o en laboratorio.
  7. Como cualquier otro equipo, es necesaria una **SUPERVISIÓN ESTRECHA** cuando lo utilicen **NIÑOS**.
  8. **NO** opere este equipo si el cable o la clavija están dañados, si no funciona adecuadamente o si se ha dañado o dejado caer.
  9. Este equipo, incluyendo el cable de alimentación eléctrica, debe recibir servicio **ÚNICAMENTE** por parte del personal debidamente calificado. Se necesitan herramientas especiales para darle servicio al equipo. Póngase en contacto con el servicio autorizado más próximo para su revisión, reparación o ajuste.
  10. **NO** cubra o bloquee el filtro (si corresponde) o el resto de las aberturas de ventilación del equipo.
  11. **NO** almacene este equipo a la intemperie. **NO** use este producto cerca del agua, por ejemplo cerca de una tarja de la cocina, en un sótano húmedo o cerca de una alberca o lugares semejantes.
  12. **NO** sumerja el cable o la clavija en el agua.
  13. **Mantenga el cable LEJOS** de las superficies **CALIENTES**.
  14. **NO** permita que el cable cuelgue sobre el borde de la mesa o la cubierta.
  15. Consulte las instrucciones de limpieza de la puerta en la página
  16. Los niños no supervisados no deben realizar la limpieza y el mantenimiento del usuario.
  17. Para evitar el riesgo de incendio en el compartimiento del horno:
    - a. **NO** cocine excesivamente los alimentos. Vigile cuidadosamente el horno si coloca papel, plástico u otros materiales combustibles, dentro del horno, para facilitar el cocimiento.
    - b. Retire los alambres de amarre de las bolsas de papel o plástico antes de colocarlas en el horno.
    - c. Si se enciende algún material en el interior del horno, mantenga la puerta del horno **CERRADA**, apague el horno y desconecte el cable de alimentación o interrumpa la alimentación en el panel de disyuntores.
  18. Únicamente para uso comercial.
  19. Es peligroso que alguien que no sea competente para ello, lleve a cabo operaciones de servicio o reparación que incluyan desmontar una tapa que protege contra la exposición a la energía de microondas.
  20. Si están averiados la puerta o las juntas de la puerta, no se debe usar el horno hasta que lo haya reparado una persona competente para ello.
  21. El aparato no debe ser usado por niños menores de 8 años, o por personas de capacidad física, sensorial o mental disminuida, o con falta de experiencia o conocimientos, a menos que reciban supervisión o instrucción.
  22. Se debe supervisar a los niños para que no jueguen con el aparato.
  23. Utilice únicamente utensilios aptos para el uso en un horno de microondas.
  24. Cuando caliente comida en recipientes de plástico o de papel, vigile el horno porque puede que prendan fuego.
  25. Si se observa humo, apague o desenchufe el aparato y mantenga la puerta cerrada para extinguir cualquier llama.
  26. Si no se mantiene el horno limpio, ello puede producir un deterioro de la superficie que podría disminuir la vida útil del aparato y quizá generar una situación de peligro.
  27. El aparato no se debe limpiar con un chorro de agua (para los aparatos destinados a estar parados sobre el piso, y que no son al menos IPX5).
  28. Los líquidos u otros alimentos no se deben calentar en recipientes herméticamente cerrados, ya que podrían explotar.
  29. Calentar bebidas con microondas puede producir una ebullición eruptiva demorada. Por lo tanto, tenga cuidado al manipular el recipiente.
- Solo para hornos de combinación:**
30. **NO** ponga alimentos de gran tamaño o utensilios de gran tamaño en un horno de microondas/convección, ya que podrían crear un incendio, un arco eléctrico, o un riesgo de choque eléctrico.
  31. **NO** limpie con estropajos metálicos. Podrían desprenderse trozos del estropajo y tomar contacto con componentes eléctricos, creando un riesgo de choque eléctrico.
  32. **NO** use productos de papel que no están destinados a la cocción a temperatura elevada cuando se usa el equipo en modo de convección o de combinación.
  33. **NO** guarde en este equipo, cuando no está en uso, ningún material salvo los accesorios recomendados por el fabricante.
  34. **NO** cubra parte alguna del horno con papel metálico. La restricción del flujo de aire hará que el horno se sobrecaliente.
  35. **NO** rocíe soluciones limpiahornos hacia la superficie posterior interna. Esto creará contaminación y dañará el conjunto de calentamiento por convección.

## GUARDE ESTAS INSTRUCCIONES



# INSTRUCCIONES DE SEGURIDAD IMPORTANTES

## ADVERTENCIA

Para evitar el riesgo de incendio en el compartimiento del horno:

- a. **NO** cocine excesivamente los alimentos. Vigile cuidadosamente el horno si coloca papel, plástico u otros materiales combustibles, dentro del horno, para facilitar el cocimiento.
- b. Retire los alambres de amarre de las bolsas de papel o plástico antes de colocarlas en el horno.
- c. Si se enciende algún material en el interior del horno, mantenga la puerta del horno **CERRADA**, apague el horno y desconecte el cable de alimentación o interrumpa la alimentación en el panel de fusibles o de disyuntores.
- d. **NO** use el compartimiento para almacenar. **NO** deje productos de papel, utensilios de cocina o alimentos dentro del compartimiento cuando no use el horno.

## ADVERTENCIA

Los líquidos como agua, café o té pueden sobrecalentarse por encima del punto de ebullición sin que parezcan estar hirviendo, por la tensión superficial del líquido. No siempre se ven burbujas o hervor cuando se saca el recipiente del horno de microondas. **ESTO PODRÍA CAUSAR QUE UN LÍQUIDO MUY CALIENTE, HIERVA Y REBALSE SÚBITAMENTE CUANDO SE HUNDE UNA CUCHARA U OTRO UTENSILIO EN EL LÍQUIDO.** Para reducir el riesgo de lesiones:

- i) No sobrecaliente el líquido
- ii) Revuelva el líquido, tanto antes de calentarlo como a la mitad del proceso de calentamiento.
- iii) No use recipientes con lados rectos y cuellos estrechos.
- iv) Después de calentarlo, deje el recipiente en el horno de microondas por un breve lapso antes de sacarlo.
- v) Tenga mucho cuidado cuando hunda una cuchara u otro utensilio en el recipiente.

## PRECAUCIÓN

Para evitar lesiones o daños materiales, cumpla lo siguiente:

1. No fría en profundidad con grasa en el horno. La grasa puede sobrecalentarse y ser peligrosa de manejar.
2. No cocine o recaliente huevos con cáscara o con la yema entera usando energía de microondas. Se puede acumular presión y producirse una erupción. Pique la yema con un tenedor o cuchillo antes de cocinarla.
3. Pique la cáscara de las papas, tomates y alimentos similares, antes de cocinarlos con energía de microondas. Cuando se pica la cáscara, el vapor puede escapar de manera uniforme.
4. No haga funcionar el equipo si no hay un platillo o alimento en el compartimiento.
5. Use únicamente maíz palomero en paquetes diseñados y rotulados para el uso en horno de microondas. **El tiempo para que el maíz reviente depende de la potencia del horno.** No siga calentando después de que deje de reventar el maíz. El maíz palomero se quemará o achicharrará. No deje el horno sin atención.
6. No use termómetros de cocina normales en el horno. La mayoría de los termómetros de cocina contienen mercurio que podría causar un arco eléctrico, mal funcionamiento o daños en el horno.
7. No use utensilios de metal en el horno.
8. Nunca use papel, plástico u otros materiales combustibles que no estén diseñados para cocinar.
9. Cuando cocine con papel, plástico u otros materiales combustibles, siga las recomendaciones del fabricante respecto del uso del producto.
10. No use toallas de papel que contengan nylon u otras fibras sintéticas. Los materiales sintéticos calentados podrían fundirse y prender fuego al papel.
11. No caliente en el horno recipientes o bolsas de plástico cerrados. Los alimentos o líquidos pueden dilatarse rápidamente y provocar la ruptura del recipiente o la bolsa. Agujeree o abra el recipiente o la bolsa antes de cocinar.
12. Para evitar los fallos de funcionamiento en los marcapasos, consulte a su médico o al fabricante del marcapasos respecto de los efectos de la energía de microondas sobre el marcapasos.
13. El equipo **DEBE** ser inspeccionado anualmente por personal de servicio autorizado. Registre todas las inspecciones y reparaciones para uso futuro.

## GUARDE ESTAS INSTRUCCIONES

# IMPORTANTES NORMAS DE SEGURIDAD



## ADVERTENCIA

Cuando use equipos eléctricos, debe tomar precauciones básicas para reducir el riesgo de quemaduras, electrochoque, incendio y lesiones personales.

1. **LEA** todas las instrucciones antes de usar el equipo.
  2. **LEA Y OBSERVE** las “PRECAUCIONES PARA EVITAR UNA POSIBLE EXPOSICIÓN A UN EXCESO DE ENERGÍA DE MICROONDAS” en la página 9.
  3. Este equipo **DEBE SER PUESTO A TIERRA**. Conecte sólo a un tomacorriente correctamente **PUESTO A TIERRA**. Consulte “INSTRUCCIONES DE PUESTA A TIERRA” en la página 12.
  4. Instale o sitúe este equipo **SÓLO** de acuerdo con las instrucciones de instalación contenidas en este manual.
  5. Algunos productos como huevos enteros y recipientes cerrados —p. ej., frascos de vidrio cerrados— pueden explotar y **NO DEBEN** ser **CALENTADOS** en este horno.
  6. Use este equipo **SÓLO** para el propósito para el que fue diseñado según se describe en este manual. No le aplique sustancias químicas ni vapores corrosivos a este equipo. Este tipo de horno ha sido específicamente diseñado para calentar, cocinar o secar alimentos. No fue diseñado para uso industrial ni experimental.
  7. Al igual que con cualquier otro equipo, se debe **SUPERVISAR DE CERCA** el uso que hagan de él los **NIÑOS**.
  8. **NO** use este equipo si su cable o enchufe están dañados, si no está funcionando como corresponde o si ha sufrido algún daño o caída.
  9. Este equipo, incluido el cable de alimentación, debe ser reparado **SÓLO** por personal técnico profesional. Su reparación requiere herramientas especiales. Solicite al servicio técnico autorizado más cercano la revisión, reparación o ajuste del equipo.
  10. **NO** cubra ni bloquee el filtro (si corresponde) ni ninguna otra abertura del equipo.
  11. **NO** guarde el equipo en espacios exteriores. **NO** use este producto cerca de agua, p. ej., cerca de un fregadero, en un sótano mojado, una piscina u otro lugar similar.
  12. **NO** sumerja el cable ni el enchufe en agua.
  13. Mantenga el cable **ALEJADO** de superficies **CALIENTES**.
  14. **NO** permita que el cable cuelgue sobre el borde de la mesa o el tablero.
  15. Consulte las instrucciones de limpieza de la puerta en la página 12. La limpieza y el mantenimiento no deberá de hacerse por niños sin la supervisión de un adulto.
  16. Para evitar el riesgo de que se incendie la cavidad del horno:
    - a. **NO** cocine demasiado los alimentos. Préstele mucha atención al horno cuando, para facilitar la cocción, ponga en su interior papel, plástico u otro material combustible.
    - b. Antes de introducir bolsas de papel o plástico en el horno, quíteles los amarres de alambre.
    - c. Si se enciende algún material dentro del horno, mantenga **CERRADA** la puerta del horno, apáguelo y desconecte el cable de alimentación o interrumpa la corriente desde el fusible o el tablero del cortacircuito.
    - d. **NO** utilice la cavidad del horno como lugar de almacenamiento. **NO** deje productos de papel, utensilios de cocina ni alimentos en la cavidad cuando no la esté usando.
  17. Use sólo para fines comerciales.
  18. Es peligroso para cualquier persona que no esté debidamente capacitada realizar operaciones de mantenimiento o reparaciones que impliquen el desmontaje de cualquier cubierta que brinde protección contra la exposición a la energía microonda.
  19. Si la puerta o los sellos de la puerta están dañados, no se debe usar el horno hasta que éste haya sido reparado por una persona debidamente capacitada.
  20. El aparato no debe de usarse por niños de 8 años o menor o por personas con incapacidades físicas, sensoriales o mentales o la falta de experiencia y conocimiento, a menos que ellos han recibido supervisión o instrucción.
  21. Es importante advertirles a los niños que no deben jugar con el aparato.
  22. Utilice únicamente utensilios adecuados para uso en hornos microondas.
  23. Cuando caliente alimentos en recipientes de plástico o papel, revise el horno frecuentemente debido a la posibilidad de ignición.
  24. Si se observa la presencia de humo, apague o desenchufe el aparato y mantenga cerrada la puerta para sofocar las llamas.
  25. No mantener el horno en condiciones limpias puede producir el deterioro de la superficie, lo que pudiera afectar adversamente la vida útil del aparato y resultar posiblemente en una situación peligrosa.
  26. El aparato no debe limpiarse con un chorro de agua (para aparatos de piso que no sean al menos IPX5).
  27. Los líquidos u otros alimentos no deben calentarse en recipientes sellados porque estos pueden explotar.
  28. El calentamiento de líquidos por microondas puede resultar en una ebullición eruptiva retardada. Por tanto, se debe tener mucho cuidado cuando se manipule el recipiente.
- ### Hornos Combinados Solamente:
29. **NO** introduzca alimentos o utensilios demasiado grandes en un horno microondas/convección ya que los mismos podrían ocasionar un incendio, un arco eléctrico o el riesgo de electrochoque.
  30. **NO** lo limpie con almohadillas abrasivas metálicas. Las piezas podrían desgarrar la almohadilla y entrar en contacto con piezas eléctricas, ocasionando el riesgo de un electrochoque.
  31. **NO** utilice productos de papel que no hayan sido diseñados para cocinar a altas temperaturas cuando se use el equipo en el modo de convección o combinación.
  32. **NO** guarde ningún tipo de material, salvo los accesorios recomendados por el fabricante, en este horno cuando no lo esté utilizando.
  33. **NO** cubra ninguna parte de este horno con papel metálico. La restricción del flujo de aire ocasionará que el horno se sobrecaliente.
  34. **NO** rocíe soluciones detergentes para hornos hacia la superficie posterior de la cavidad interna. Esto contaminará y ocasionará el deterioro del conjunto de calentamiento por convección.

# IMPORTANTES NORMAS DE SEGURIDAD



Para evitar el riesgo de lesiones personales o daños materiales, observe las siguientes normas de seguridad:

## Uso General:

1. **No** introduzca termómetros de cocina normales en el horno. La mayoría de los termómetros contienen mercurio y pueden originar arcos eléctricos o causarles desperfectos o averías al horno.
2. Nunca use papel, plástico ni ningún otro material combustible que no haya sido diseñado para cocinar.
3. Cuando cocine con papel, plástico u otro material combustible, siga las recomendaciones del fabricante acerca del uso del producto.
4. **No** use toallas de papel que contengan nailon ni ninguna otra fibra sintética. Las fibras sintéticas, al calentarse, pueden derretirse y prenderle fuego al papel.
5. Para evitar que las superficies se deterioren, mantenga el horno en condición limpia. La limpieza poco frecuente puede afectar adversamente la vida útil del aparato y resultar posiblemente en una situación peligrosa.
6. Limpie el horno regularmente y elimine todos los restos de alimentos depositados en el horno.

## Calentando Alimentos y Líquidos:

7. Debido a su tensión superficial, los líquidos, como agua, café o té, pueden calentarse por encima de su punto de ebullición sin dar muestras de estar hirviendo. No necesariamente los verá hervir o burbujear cuando extraiga el recipiente del microondas. **POR CONSIGUIENTE, LOS LÍQUIDOS PUEDEN EMPEZAR A HERVIR Y SALPICAR AL INTRODUCIRLES UNA CUCHARA U OTRO UTENSILIO.** Para reducir el riesgo de sufrir lesiones:
  - a. No recaliente el líquido.
  - b. Remueva el líquido antes de empezar a calentar y a mitad del proceso.
  - c. No utilice recipientes de lados rectos con cuello angosto.
  - d. Después de calentar el líquido, deje reposar el recipiente dentro del microondas por un breve tiempo antes sacarlo.
  - e. Tenga sumo cuidado cuando le introduzca una cuchara u otro utensilio al recipiente.
8. **No** utilice el horno para freír alimentos completamente inmersos en aceite. El aceite podría recalentarse y su manipulación resultaría peligrosa.
9. **No** utilice energía de microondas para cocinar o recalentar huevos en su cáscara o con la yema íntegra. La presión puede acumularse y hacer explosión. Antes de cocinar, perforo la yema con un tenedor o un cuchillo.
10. Perfore la piel de papas, tomates y alimentos similares antes de cocinar con energía de microondas. Si la piel está perforada, el vapor puede escapar uniformemente.

11. **No** caliente recipientes cerrados ni bolsas plásticas en el horno. Los alimentos y líquidos pueden expandirse rápidamente y hacer que se rompa el recipiente o la bolsa. Perfore o abra el recipiente o la bolsa antes de calentar.
12. **No** caliente biberones en este horno.
13. Se debe abrir los frascos de alimento para bebés antes de calentarlos y remover o agitar su contenido antes de consumirlos para evitar quemaduras.
14. Nunca utilice el horno para calentar alcohol o alimentos que contengan alcohol ya que podrían incendiarse con mayor facilidad si se sobrecalientan.

## Normas Adicionales de Seguridad para Hornos Microondas:

15. **No** use el horno si no tiene carga o alimentos en su cavidad.
16. Utilice solamente palomitas de maíz que vienen en bolsas diseñadas y rotuladas para uso en hornos microondas. **El tiempo necesario para que empiecen a saltar las palomitas varía de acuerdo con el vatiaje del horno.** Una vez que dejen de hacerlo, apague el microondas. De lo contrario, las palomitas se chamuscarán o se quemarán. No desatienda el horno.
17. **No** introduzca utensilios metálicos en el horno.
18. El equipo **DEBE** ser inspeccionado anualmente por un servicio técnico autorizado. Registre todas las inspecciones y reparaciones como material de referencia.

## Normas Adicionales de Seguridad para Hornos Combinados:

19. **No** haga palomitas de maíz en este horno.
20. **No** introduzca utensilios metálicos en el horno salvo si así lo recomiendan los fabricantes de alimentos para microondas o si la receta especifica el uso de utensilios metálicos en el modo de convección o combinación. De ser posible, caliente los alimentos en recipientes de cristal o porcelana.
21. En el modo de convección, la temperatura del horno deberá alcanzar los 232°C como mínimo. Asegúrese que el fabricante recomiende el uso de materiales de plástico, papel u otros materiales combustibles para resistir la temperatura máxima del horno.
22. Las parrillas, los utensilios, los cercos de las parrillas y las superficies del horno podrían calentarse durante o luego del uso. Utilice utensilios o vestimenta de protección, tales como tenazas para cacerolas o guantes para hornos cuando sea necesario para evitar quemaduras.
23. **No** desenchufe el horno inmediatamente después de usarlo. El ventilador interno debe enfriar el horno para evitar el daño de los componentes eléctricos.
24. **Attenzione:** per evitare ustioni, non utilizzare contenitori pieni di liquidi o prodotti da cucina che diventino liquidi dopo essere stati riscaldati oltre i livelli facilmente osservabili.

# GUARDE ESTAS INSTRUCCIONES

# Instalación y Limpieza

## Desempaque del Horno

- Inspeccione el horno y verifique que no tenga daños como, por ejemplo, abolladuras en la puerta o en la cavidad.
- Si tiene abolladuras o está roto, informe de inmediato al vendedor.  
**Si el horno ha sufrido algún daño, no intente utilizarlo.**
- Extraiga todos los materiales de empaque del interior del horno.
- Si el horno ha estado almacenado en un lugar demasiado frío, espere algunas horas antes de conectarlo a un tomacorriente.
- Se ha adherido una película protectora para evitar rayaduras en la caja externa durante el transporte. Despegue la película de la superficie exterior del horno antes de instalarlo.
- La etiqueta de advertencia provista junto con el horno debe ser ubicada en un lugar visible cerca del horno

## Interferencia de Radio

El funcionamiento del microondas puede hacer interferencia con redes WiFi, radios, televisores u hornos similares. Reduzca o elimine la interferencia mediante el siguiente procedimiento:

- Limpie la puerta y las superficies de cierre del horno de acuerdo con las instrucciones suministradas.
- Sitúe la red WiFi, radio, televisor, etc. tan lejos del horno como sea posible.
- Mejore la recepción del radio, televisor, etc., mediante la correcta instalación de una antena.

## Ubicación del Horno

- No instale el horno cerca o encima de fuentes de calor, p. ej., hornos para pizzas o freidoras. Esto puede ocasionar un mal funcionamiento del microondas y acortar la vida útil de las piezas eléctricas.
- No bloquee ni obstruya el filtro del horno. Deje libre el acceso para la limpieza.
- Instale el horno sobre la superficie superior plana del tablero.
- El tomacorriente debe estar situado de modo que permita enchufar el horno desde su ubicación.



## Limpieza del Interior, del Exterior y de la Puerta

### PRECAUCIÓN

Para evitar el riesgo de electrochoque y lesiones personales graves o mortales, desconecte el cable de alimentación o abra el cortacircuito correspondiente antes de limpiar el horno.

Limpie el microondas diariamente aplicándole una solución de detergente suave y agua tibia mediante una esponja o un trapo sin asperezas. Antes de limpiar el equipo, elimine el exceso de agua en la esponja o el trapo. Si lo desea, hierva una taza de agua en el horno de microondas para aflojar la suciedad antes de limpiarlo.

**NO permita que permanezcan en el interior del horno residuos de la cocción, p. ej., grasa o manteca, por ningún lapso de tiempo.**

- NO permita que permanezcan residuos de la cocción en la cavidad del horno.
- NO use detergentes ni limpiadores abrasivos que contengan amoníaco. Podrían deteriorar el acabado.
- NO utilice productos de limpieza cáusticos o productos que contengan amoníaco. Podrían deteriorar el horno.
- NUNCA vierta agua por la parte inferior del horno de microondas.
- NO use sistemas de limpieza que utilicen agua a presión.
- Para obtener instrucciones detalladas de limpieza, consulte el Manual del Propietario en línea en [www.acpsolutions.com](http://www.acpsolutions.com).

# GUARDE ESTAS INSTRUCCIONES

### ADVERTENCIA

Para evitar el riesgo de electrochoque o muerte, es necesario poner este horno a tierra y el enchufe no deberá modificarse.



## Instrucciones de Puesta a Tierra

**El horno DEBE ser puesto a tierra.**

Ponerlo a tierra reduce

el riesgo de electrochoque ya que proporciona un conductor de escape para la corriente eléctrica en caso de cortocircuito. Este horno cuenta con un cable que tiene un hilo de tierra con enchufe de conexión a tierra. Este enchufe debe ser conectado a un tomacorriente correctamente instalado y puesto a tierra.

Si no comprende cabalmente las instrucciones de puesta a tierra, o duda que el horno esté correctamente puesto a tierra, consulte a un electricista o servicio técnico profesional.

### **No utilice cables de extensión.**

Si el cable de alimentación del producto es demasiado corto, pídale a un electricista profesional que instale una caja de contacto de tres ranuras. Este horno debe estar conectado a un circuito aparte cuya capacidad eléctrica nominal cumpla con las especificaciones del producto (disponibles en el sitio web [www.acpsolutions.com](http://www.acpsolutions.com) de ACP). Si se instala el horno de microondas en un mismo circuito con otros equipos, puede ser necesario aumentar los tiempos de cocción y es posible que se quemen los fusibles.

## Terminal de Tierra Equipotencial Externo

*(sólo para exportación)*

El equipo dispone de un terminal secundario de puesta a tierra. Este terminal proporciona una puesta a tierra externa que se utiliza en forma adicional a la clavija de puesta a tierra del enchufe. El terminal está situado en la parte externa del lado posterior del horno y viene marcado con el símbolo que aparece a continuación.





## ⚠ ADVERTENCIA

### Peligro de Peso Excesivo

Use dos o más personas para mover e instalar el horno. El no hacerlo puede provocar una lesión de la espalda u otro tipo de lesión.

### Desempaque del horno

- Revise que el horno no presente daños, como por ejemplo abolladuras en la puerta o en el interior del horno.
- Informe de inmediato sobre cualquier abolladura o rotura al proveedor del horno.
- **No intente usar el horno si está averiado.**
- Retire todos los materiales del interior del horno.
- Si el horno se ha almacenado en un lugar extremadamente frío, espere unas horas antes de conectar el suministro eléctrico.

### Interferencia de radio

El funcionamiento del horno de microondas puede interferir con el uso de la radio o la televisión, o de un horno de microondas similar. Puede reducir o eliminar la interferencia de la siguiente forma:

- Limpie la puerta y las superficies de sellado del horno según las instrucciones en el capítulo *Cuidado y limpieza*.
- Ponga los receptores de radio, televisión, etc., tan lejos del horno como sea posible.
- Utilice una antena instalada apropiadamente para los receptores de radio, televisión, etc., para recibir una señal más fuerte.

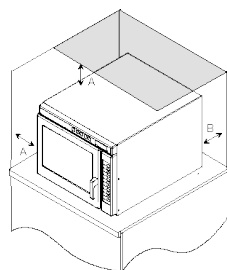
### Colocación del horno

- No instale el horno cerca o encima de una fuente de calor, por ejemplo un horno para pizzas o una freidora en profundidad. Esto podría hacer que el horno de microondas funcione mal y acortar la vida útil de las partes eléctricas.
- No bloquee ni obstruya el filtro del horno. Deje espacio para poder limpiar el horno.
- Instale el horno en una superficie nivelada.
- Si se suministra, coloque una etiqueta de advertencia en un lugar visible cerca del horno de microondas.
- La toma debe ubicarse de manera que el enchufe sea accesible cuando el horno esté instalado.

A—Para modelos en Norteamérica (UL/CSA), deje al menos 2" (5,1 cm) de espacio alrededor de la parte superior del horno. Para modelos internacionales (50 Hz), deje al menos 7" (17,8 cm) de espacio alrededor de la parte superior del horno. Un flujo de aire apropiado en derredor del horno enfría los componentes eléctricos. Con restricciones en el flujo de aire el horno no funcionará adecuadamente y se reducirá la vida útil de las partes eléctricas.

B—Deje al menos 2 9/16" (6,5 cm) entre la descarga de aire en la parte posterior del horno y la pared posterior.

C—Deje al menos 2" (5,1 cm) libres en derredor de las caras laterales del horno.



## ⚠ ADVERTENCIA

Para evitar el riesgo de choque eléctrico o muerte, este horno se debe conectar a masa.

## ⚠ ADVERTENCIA

Para evitar el riesgo de choque eléctrico o muerte, no altere la clavija.



### Instrucciones para la puesta a tierra/masa El horno debe CONECTARSE

**A TIERRA.** La conexión a tierra reduce el riesgo de un choque eléctrico al ofrecer un hilo de escape para la corriente eléctrica, en el caso de que ocurra un cortocircuito eléctrico. Este horno está equipado con un cable que tiene un hilo de conexión a tierra con una clavija para puesta a tierra. La clavija debe enchufarse en un tomacorriente correctamente instalado y puesto a tierra.

Consulte a un proveedor de servicio o electricista calificado si no comprende por completo las instrucciones para la conexión a tierra o en caso de dudar si el horno está correctamente puesto a tierra.

### No utilice un cable de extensión.

Si el cable de alimentación eléctrica del producto es demasiado corto, haga que un electricista calificado instale una toma de tres contactos. Este horno debe conectarse a un circuito independiente con capacidad eléctrica según las especificaciones del producto. Cuando el horno de microondas se encuentra en un circuito compartido con otros equipos, podría requerirse un aumento en los tiempos de cocción y esto puede hacer que se accione la protección del circuito.

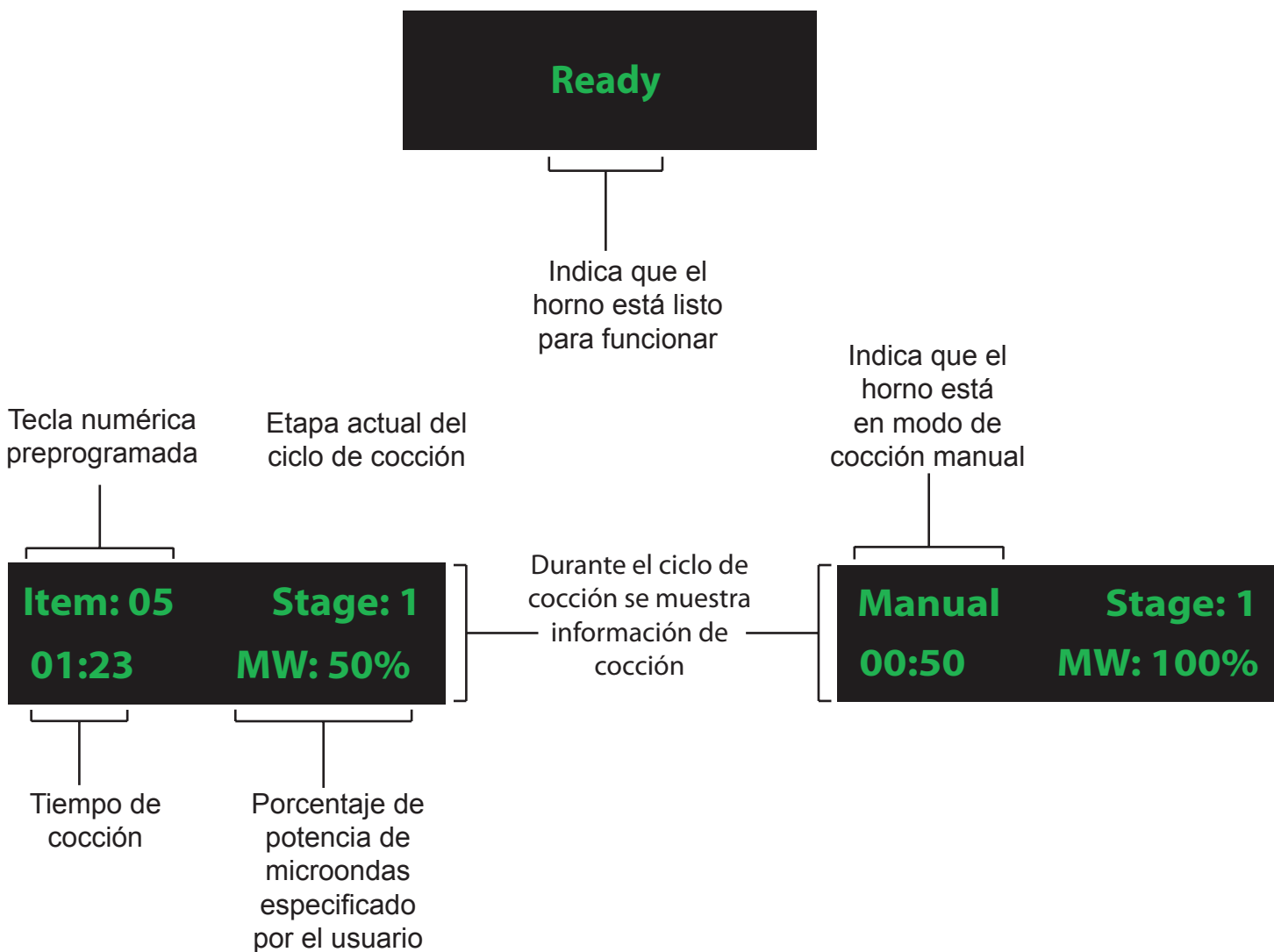
### Terminal equipotencial externo de conexión a tierra (únicamente para exportación)

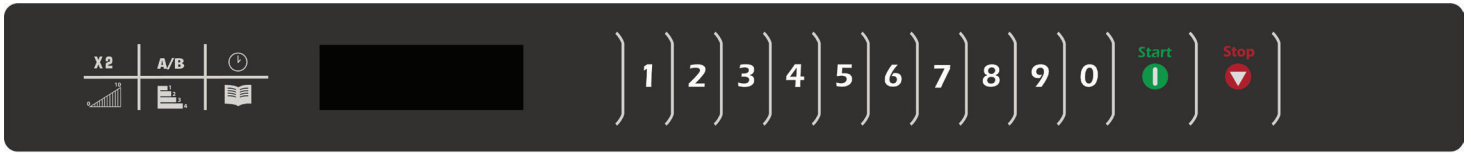
El equipo tiene un terminal de conexión a tierra secundaria. El terminal ofrece una conexión a tierra externa que se usa además del terminal de puesta a tierra en la clavija. El terminal, localizado en la parte posterior externa del horno, está marcado con el símbolo que se muestra a continuación.





## Pantallas del horno de microondas





## Tecla para selección manual del tiempo

La tecla de selección del tiempo se usa para introducir el tiempo de cocción, para la selección manual o de programación. El tiempo de cocción va desde un segundo (00:01) a 60 minutos. Si se requieren más de 60 minutos de cocción en total, abra la puerta y revise los alimentos antes de iniciar un ciclo de cocción nuevo. El uso de la selección manual del tiempo no afecta a las configuraciones programadas.



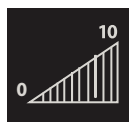
## Tecla Cantidad

La tecla de cantidad ajusta automáticamente un tiempo de cocción prefijado para dos porciones de un alimento. Cuando se presiona antes de un ciclo de cocción preprogramado, el horno ajusta automáticamente el tiempo de cocción. Para borrar, abra la puerta o presione la tecla Parar. Vea las instrucciones sobre cómo usar esta función en el capítulo Teclas preprogramadas, en la página 9 de este manual.



## Tecla A/B

La tecla A/B alterna la selección de menú entre dos conjuntos de configuraciones de menú preprogramadas. Seleccionar el Menú A permite usar los programas preconfigurados del 0 al 9 pulsando las teclas del 0 al 9. Seleccionar el Menú B permite usar los programas preconfigurados del 0 al 9 pulsando las teclas del 0 al 9.



## Tecla Nivel de potencia.

La tecla nivel de potencia permite al usuario modificar el nivel de potencia de microondas para las distintas etapas de un ciclo de cocción. Vea las instrucciones sobre cómo programar el nivel de potencia en la página 10 del capítulo *Programación de los controles del horno* de este manual.



## Cocción por etapas

Un usuario puede programar hasta cuatro etapas distintas, combinando tanto los niveles de potencia y los cambios de tiempo por medio del teclado. Cada combinación se conoce como una etapa. Vea más información sobre la cocción en etapas en la página 10 del capítulo *Programación de los controles del horno* de este manual.



## Tecla Guardar programa.

Los programas o las configuraciones se pueden modificar y guardar según las preferencias del usuario. Vea las instrucciones para guardar cambios en las páginas 9 a 11 del capítulo *Programación de los controles del horno* de este manual.



## Tecla Comenzar

La tecla Comenzar se utiliza para empezar a ingresar manualmente el tiempo para un ciclo de cocción.



## Tecla Parar

La tecla Parar detiene una secuencia de cocción en progreso, borra cualquier tiempo restante y termina además un ciclo de opción de programación.



## Tecla oculta

La tecla oculta se puede usar para ajustar los controles del horno según las preferencias del usuario. Está a la derecha de la tecla Parar. Vea las instrucciones para su uso en la página 11 del capítulo *Programación de los controles del horno* de este manual.

## Perilla de control

La perilla de control que está a la derecha de las teclas numéricas sirve para varios fines distintos. Si está habilitada, el usuario puede girar la perilla sea para agregar o quitar tiempo del tiempo total de cocción. O bien, si está habilitada, puede pulsar la perilla para iniciar un ciclo de cocción que ha seleccionado. Vea las instrucciones para su uso en las páginas 11 y 12 del capítulo *Programación de los controles del horno* de este manual.



## Programación con una sola tecla

Cada tecla numerada se puede programar para un determinado alimento, como por ejemplo descongelar y después cocinar verduras u otros alimentos congelados. Para usar esta característica, programe la tecla para el tiempo y el nivel de potencia deseados. Presione una vez la tecla y el microondas comenzará a cocinar. Vea las instrucciones en la página 10 del capítulo *Programación de los controles del horno* de este manual.



## Programación con dos teclas

Con esa función habilitada se puede guardar un máximo de 100 programas. A cada entrada se le puede asignar un número de dos dígitos, por ejemplo: 01, 05 o 20. Cuando está habilitada la programación con dos teclas, se deben presionar dos teclas para iniciar el ciclo de cocción.



## Compatibilidad con USB

El horno de microondas es compatible con una memoria flash USB estándar. Esta función permite al usuario guardar configuraciones preprogramadas y opciones de usuario en la memoria flash, en lugar de programar las configuraciones directamente en las teclas numéricas.



## Cocinar Solo arriba o Solo abajo

Cocinar Solo arriba o Solo abajo permite al usuario usar solo la parte superior o la inferior del microondas durante un ciclo de cocción. Cuando se selecciona "Solo arriba", funcionan solo los magnetrones superiores. Cuando se selecciona "Solo abajo", funcionan solo los magnetrones inferiores. Vea más información sobre esta función en la página 10.

## Opciones del usuario

Las opciones del usuario, como volumen del bip o el número de teclas programables, pueden ser modificadas y guardadas. Para modificar diversas opciones, vea la página 11 de *Programación de los controles del horno* en este manual.

## Pausa en la cocción a mitad del ciclo

La pausa en la cocción es una característica exclusiva de esta serie de microondas. Esta pausa permite agregar ingredientes adicionales, verificar el progreso de la cocción, o dejar que los alimentos se asienten el tiempo necesario entre ciclos de cocción. Durante una pausa en la cocción a mitad del ciclo el microondas emite un bip continuo y aparece PROGRAM PAUSED (Programa en pausa) hasta que se abre y cierra la puerta del horno. Para continuar el ciclo, presione la tecla Inicio. Para usar esta función, vea el capítulo *Programación de los controles del horno* en este manual..



## ¿Qué es la cocción por etapas?

La cocción por etapas permite utilizar de forma consecutiva diferentes ciclos de cocción, o etapas, sin una participación repetida del usuario. Puede programarse cocción por etapas para primero descongelar los alimentos, luego cocinarlos, y mantener después los alimentos calientes hasta el momento de servirlos. El tiempo total de cocción para todas las etapas juntas no puede superar 60 minutos. Vea las instrucciones sobre la función de cocción en etapas en la página 10 del capítulo *Programación de los controles del horno* de este manual.

# Uso de los controles del horno

## Programar tiempo manualmente

Para cocinar alimentos usando un tiempo y un nivel de potencia específicos.

1. Abra la puerta del horno y coloque los alimentos en el horno. Cierre la puerta.
  - En la pantalla aparece **READY** (Listo). Se encienden el ventilador y la luz.
2. Presione la tecla Seleccionar tiempo.
  - Si la tecla no funciona, abra y cierre la puerta del horno e intente de nuevo.
3. Seleccione el tiempo de cocción usando las teclas de números.
4. Presione la tecla Nivel de potencia para cambiar el valor correspondiente.
  - Para modificar la potencia de microondas, presione las teclas 1 (para 10%) a 9 (para 90%).
5. Si se desea cocción por etapas, presione la tecla Etapa y repita los pasos 2 a 4.
  - Pueden programarse hasta cuatro etapas diferentes.
6. Presione la tecla Inicio.
  - El horno comienza a funcionar y se inicia la cuenta regresiva.
7. Al final del ciclo de cocción el horno emite un bip y se apaga.  
**Aparece el mensaje DONE (Terminado)**



## Teclas preprogramadas

Cocinar alimentos usando teclas preprogramadas.

Vea las instrucciones sobre programación de teclas en la página 10 del capítulo *Programación de los controles del horno* de este manual.

1. Abra la puerta del horno y coloque los alimentos en el horno. Cierre la puerta.
  - En la pantalla aparece **READY** (Listo). Se encienden el ventilador y la luz.
2. Presione la tecla deseada.
  - Para programar con una sola tecla, presione una sola tecla.
  - Para programar con dos teclas, presione las dos teclas que representan a los dos dígitos.
  - Para cambiar la opción de programar con una o dos teclas, vea en este manual el capítulo *Opciones del usuario*.
3. Cuando cocine dos piezas del mismo alimento, presione la tecla Cantidad antes de un ciclo de cocción programado. El horno ajustará el programa automáticamente.
  - En la pantalla aparecerá "DOUBLE" (Doble).
  - Para borrar, abra y cierre la puerta o presione la tecla Parar.
3. El horno comienza a cocinar,
  - Para cocinar durante más tiempo, presione nuevamente la tecla numérica preprogramada.
4. Al final del ciclo de cocción el horno emite un bip y se apaga.  
**Aparece el mensaje DONE (Terminado)**



### Ajustes de fábrica

Tecla	Tiempo
1	10 s
2	20 s
3	30 s
4	40 s
5	1 min

Tecla	Tiempo
6	1:30 min
7	2 min
8	3 min
9	4 min
0	5 min

## Cocción con microondas

La cocción de microondas utiliza ondas de energía de alta frecuencia para calentar los alimentos. Al cocinar, la energía de microondas hace que las moléculas de los alimentos se muevan rápidamente. Este movimiento rápido entre las moléculas de los alimentos crea calor, lo que cocina los alimentos.

### ¿Es seguro hacer funcionar el microondas si está vacío?

Hacer funcionar un microondas sin carga puede averiar gravemente los componentes eléctricos. Cuando se ponen alimentos en el horno, la energía de microondas generada por el magnetrón es absorbida por los alimentos. Cuando no hay alimentos en el horno, no hay nada que absorba la energía. La energía rebota en el interior del horno y es enviada de regreso a través de la guía de ondas. Esto puede causar un arco eléctrico, un incendio, o quemar el magnetrón.

### ¿Cómo descongelar comida usando un microondas comercial?

No todos los microondas comerciales tienen el botón de descongelar que tienen generalmente los microondas para el hogar. Para descongelar use simplemente el nivel de potencia 20%.

### ¿Cómo saber si es seguro usar un cierto recipiente en el microondas?

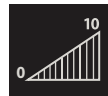
Para probar si es seguro usar un cierto recipiente en el microondas, póngalo en el interior del horno junto a un recipiente con agua *seguro para microondas*. Haga funcionar el microondas durante un minuto. Si el recipiente probado está tibio o caliente, no es seguro para el uso en microondas.

# Programación de los controles del horno

## Teclas de programación

El horno sale de fábrica configurado para programación con una sola tecla. Para cambiar el estado predeterminado del horno a programación con dos teclas, vea el capítulo *Opciones del usuario*. Para programar la cantidad de tiempo o el nivel de energía de una tecla:

1. En la pantalla debe aparecer **READY** (Listo). Si no, abra y cierre la puerta.
2. Presione la tecla Guardar Programa.
  - Comienza el modo programación.
  - Aparece "Enter Program to Add/Review" (Ingresar programa Agregar/Examinar)
3. Presione la tecla numérica a ser programada.
  - La pantalla mostrará todos los ajustes para la tecla.
  - El número de tecla que se está programando aparece junto a la palabra **ITEM**.
4. Presione la tecla Seleccionar Tiempo para programar la cantidad de tiempo de cocción.
  - Ingrese el tiempo de cocción deseado, utilizando las teclas numéricas.
  - El tiempo máximo de cocción es de 60 minutos
5. Presione Nivel de Potencia para programar el nivel de potencia de microondas.
  - Para una potencia de microondas menor, presione las teclas 1 (para 10%) a 9 (para 90%).
  - Presione la tecla numérica correspondiente al nivel deseado. Presione la misma tecla numérica para ajustar el nivel de potencia a 100%.
6. Presione Guardar Programa para guardar los cambios.
7. Para descartar los cambios, presione la tecla Parar/Reiniciar.



## Programar cocción Solo arriba y Solo abajo

1. Presione la tecla Nivel de potencia. Seleccione y programe la potencia de microondas preferida.
2. Si se presiona una segunda vez Nivel de potencia, se seleccionará la opción "Top Only" (Solo arriba), que aparecerá en la pantalla.
3. Si se presiona una tercera vez Nivel de potencia, se seleccionará la opción "Bottom Only" (Solo abajo), que aparecerá en la pantalla.
4. Si se presiona una cuarta vez el botón Nivel de potencia, el horno se reinicia y tanto la parte superior como la inferior calentarán los alimentos.

Cocción Solo arriba

Manual Stage: 1  
00:00 MW: 50%



Parpadea

Cocción Solo abajo

Manual Stage: 1  
00:00 MW: 50%



Parpadea

Cocción arriba y abajo

Manual Stage: 1  
00:50 MW: 100%



Parpadea

## Programación de múltiples etapas

La cocción por etapas permite ciclos de cocción consecutivos, sin interrupción. Se pueden programar hasta cuatro ciclos de cocción diferentes en una tecla de memoria.

Para usar la cocción por etapas:

1. Siga los pasos 1 a 5 anteriores.
6. Presione la tecla Etapa.
  - Esto comenzará a programar la siguiente etapa de cocción.
  - La pantalla indica la etapa que se va a programar.
  - Introduzca el tiempo de cocción y el nivel de potencia, como en los pasos 4 y 5.
  - Para ingresar otra etapa de cocción para esa tecla, presione la tecla Etapa. nuevamente.
  - Pueden programarse hasta cuatro etapas diferentes.
  - El tiempo total de cocción (todas las etapas combinadas) es de 60 minutos.
7. Presione la tecla Guardar programa para guardar el programa y los cambios.
8. Para descartar los cambios, presione Parar/Reiniciar antes de presionar Guardar programa.





# Programación de los controles del horno

## Pausa en la cocción a mitad del ciclo

Para agregar una pausa a un ciclo de cocción programado:

1. Presione la TECLA OCULTA después de ingresar el tiempo o el nivel de potencia.
2. Suena un bip breve. Esto indica que el programa contiene una pausa a mitad del ciclo.
3. Siga programando la tecla como lo desee.

Para eliminar una pausa de un ciclo de cocción programado:

1. Presione la TECLA OCULTA después de ingresar el tiempo o el nivel de potencia.
2. Suena un bip breve. Esto indica que la pausa a mitad del ciclo se ha eliminado.
3. Siga programando como lo desee.



Tecla oculta

## Usar la memoria flash USB

1. En la pantalla debe aparecer **READY** (Listo). Si no, abra y cierre la puerta.
2. Abra completamente la puerta del horno.
3. Inserte la memoria flash USB.
4. Presione y mantenga oprimida la tecla 5 hasta que aparezca "USB" en la pantalla.
5. Para transferir una programación **DESDE** la memoria flash USB **AL** horno, presione la **tecla 1**.
  - Por el contrario, para transferir una programación **A** la memoria flash USB **DESDE** el horno, presione la tecla 2.
6. Presione la tecla Iniciar para comenzar la transferencia.
  - En la pantalla aparecerá "Contacting USB card" (Contactando a la tarjeta USB).
  - Después aparecerá en la pantalla "Transferring data from USB to oven" (Transfiriendo datos del USB al horno), o a la inversa.
7. Una vez transferida correctamente la programación, aparecerá en la pantalla "Done - Loaded \_\_\_ Programs" (Listo - se cargaron \_\_\_ programas).
  - Cierre la puerta para borrar la pantalla y comenzar el ciclo de cocción.
8. Códigos de error:
  - **No file:** (No hay archivo) La memoria flash USB está vacía, o no tiene el(los) archivo(s) correcto(s) necesario para la operación.



## Cambio de las opciones del usuario

Pueden cambiarse opciones tales como la programación con una tecla o con dos teclas y el volumen del bip para que se ajusten a las preferencias individuales.

**Si se acaba de encender el horno, se debe abrir y cerrar la puerta antes de proseguir.**

1. Presione firmemente la tecla oculta a la derecha de la tecla Parar.
  - La tecla no está marcada
  - La pantalla no cambia cuando se presiona la tecla oculta
2. Presione la tecla Guardar Programa.
  - Se mostrará en la pantalla la primera opción del usuario. El horno se encuentra ahora en modo opciones.
3. Presione la tecla numérica deseada para controlar los cambios a las opciones.
  - Vea las opciones en la tabla de la página siguiente
  - Se muestra la opción actual.
4. Presione nuevamente la misma tecla numérica para inhabilitar o habilitar la configuración.
  - Cada vez que se presiona la tecla, se cambiará de opción.
  - Para modificar opciones adicionales, repita los pasos 3 y 4.
5. Presione Guardar programa para volver al modo READY (Listo). Los cambios surtirán efecto inmediatamente. Para salir sin guardar, presione la tecla Parar.



# Tabla de opciones del usuario

Teclas numeradas	Aparece	Opciones
<b>1</b> Programar con dos dígitos	<b>Deshabilitado</b> Habilitado	<b>Permite 10 teclas preprogramadas (0-9).</b> Permite 100 teclas preprogramadas (00-99).
<b>2</b> Programación manual	Deshabilitado <b>Habilitado</b>	No se permite programar manualmente el tiempo/la cocción <b>Se permite programar manualmente el tiempo/la cocción</b>
<b>3</b> Reinicio al abrir la puerta	<b>Deshabilitado</b> Habilitado	<b>Abrir la puerta del horno no lo reinicia al modo Listo</b> Abrir la puerta del horno lo reinicia al modo Listo
<b>4</b> Bip de la tecla	APAGADO <b>Encendido</b>	Las teclas no hacen bip cuando se presionan <b>Las teclas hacen bip cuando se presionan</b>
<b>5</b> Volumen del altavoz	APAGADO BAJO MEDIO <b>ALTO</b>	El volumen del bip de las teclas está apagado El volumen del bip de las teclas está bajo El volumen del bip de las teclas está en mediano <b>El volumen del bip de las teclas está en alto</b>
<b>6</b> Señal de final de cocción	<b>Bip continuo</b> Bip de 3 segundos 4 bips una sola vez 4 bips repetidos	<b>La señal de listo es un bip continuo hasta que el usuario lo reinicialice</b> La señal de listo es un bip de tres segundos La señal de listo es cuatro bips, continuamente. La señal de listos es cuatro bips, cuatro veces.
<b>7</b> Teclado activo	15 segundos 30 segundos <b>60 segundos</b> 120 segundos Siempre	La ventana de tiempo de ingreso del teclado es 15 segundos La ventana de tiempo de ingreso del teclado es 30 segundos <b>La ventana de tiempo de ingreso del teclado es un minuto</b> La ventana de tiempo de ingreso del teclado es dos minutos La ventana de tiempo de ingreso del teclado siempre está activa
<b>8</b> Perilla al paso	<b>Deshabilitado</b> Habilitado	<b>Deshabilita girar la perilla para entrar en modo manual</b> Permite girar la perilla para entrar en el modo manual de ingresar tiempo, permite presionar la perilla para poner el horno en marcha, y permite girar la perilla para agregar tiempo antes de comenzar un ciclo de cocción.
<b>9</b> Perilla Manual	Deshabilitado <b>Habilitado</b>	Deshabilita completamente a la perilla <b>Habilita a la perilla según la Opción 8</b>
<b>0</b> Cocción arriba o abajo	<b>Deshabilitado</b> Habilitado	<b>Deshabilita el uso de cocción solo arriba o solo abajo</b> Habilita el uso de cocción solo arriba o solo abajo
<b>Tecla para selección manual del tiempo</b> Cocinar al paso	<b>Deshabilitado</b> Habilitado	<b>Deshabilita presionar cualquier tecla adicional durante un ciclo de cocción</b> Permite presionar teclas adicionales para agregar o modificar el tiempo en el medio de un ciclo de cocción, sin detenerse
<b>Tecla X2</b> Indicación X2	Deshabilitado <b>Habilitado</b>	Deshabilita la indicación X2 <b>Habilita la indicación X2</b>
<b>Tecla A/B</b> Menús A/B	<b>Deshabilitado</b> Habilitado	<b>Deshabilita Menús A/B</b> Habilita Menús A/B
<b>Tecla Nivel de potencia.</b> Volver al menú	<b>A</b> <b>B</b> Último seleccionado	<b>Volver al Menú A</b> Volver al Menú B Volver al último menú seleccionado
<b>Tecla de etapa</b> Mensaje de limpieza del filtro (Frecuencia)	Deshabilitado <b>Semanal</b> Mensual Trimestral	El horno no mostrará CLEAN FILTER (Limpiar el filtro). <b>El horno mostrará CLEAN FILTER (Limpiar el filtro) cada siete días.</b> El horno mostrará CLEAN FILTER (Limpiar el filtro) cada 30 días. El horno mostrará CLEAN FILTER (Limpiar el filtro) cada 90 días.

Las opciones en **negrita** son las predeterminadas de fábrica.

## Limpieza del interior, exterior y puerta

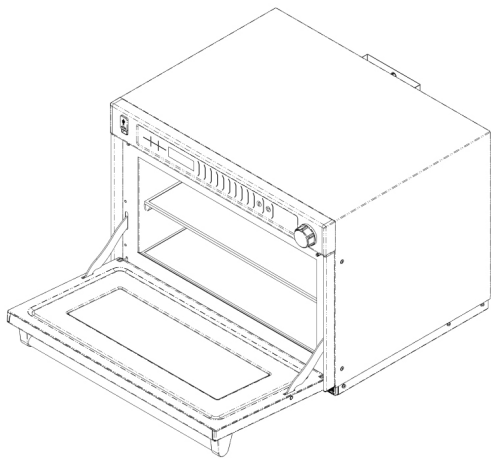
Limpie el horno de microondas con un detergente suave y agua tibia, usando un paño o esponja suave. Retuerza la esponja o el paño para quitar el exceso de agua antes de limpiar el equipo. Si lo desea, hierva una taza de agua en el microondas para aflojar los residuos antes de iniciar la limpieza. **NO permita que permanezcan tiempo alguno en el horno residuos de la cocción, como grasa.**

- NO permita que queden residuos de la cocción en el interior del horno.
- NO use limpiadores abrasivos o que contengan amoníaco, ya que podrían causar daños.
- JAMÁS vierta agua en el fondo del horno de microondas.
- NO use sistemas de limpieza por agua a presión.

## Limpieza del filtro de la entrada de aire

Limpie semanalmente los filtros de la entrada de aire para que el aire fluya correctamente. **NO use el horno sin que los filtros estén en su lugar.**

- Hay dos filtros magnéticos debajo de la puerta del horno.
- Lave los filtros con un trapo de limpieza, agua caliente y un detergente suave; o en un lavador de implementos.



### ⚠ PRECAUCIÓN

Para evitar daños al producto, limpie periódicamente los filtros de aire.

### ⚠ PRECAUCIÓN

Para evitar una descarga eléctrica que puede causar lesiones, desconecte el cable de alimentación, o abra el disyuntor para el horno antes de limpiarlo.

### ⚠ PRECAUCIÓN

Para evitar el riesgo de dañar el producto, no use el horno sin que la protección contra salpicaduras esté en su lugar. Los arcos eléctricos causarán daños al interior del horno y a la antena si se usa sin la protección en su lugar.

# Antes de llamar al servicio

## **ADVERTENCIA**

Para evitar choques eléctricos que pueden provocar lesiones graves o la muerte, no retire nunca el gabinete exterior. Únicamente el personal debidamente autorizado podrá retirar el gabinete exterior.

Problema	Posible Causa
El horno no funciona.	<p>Confirme que el horno está conectado a un circuito dedicado.</p> <p>Confirme que el horno esté en un circuito polarizado y puesto a tierra (consulte a un electricista para confirmarlo).</p> <p>Revise el disyuntor del circuito.</p>
El horno funciona de modo intermitente.	Revise el filtro de aire y las áreas de descarga en busca de obstrucciones.
Si el horno no acepta ingresos cuando se presiona la tecla.	<p>Verifique que el horno esté encendido.</p> <p>Abra y cierre la puerta. Presione nuevamente la tecla.</p>
Si falla el funcionamiento del horno, o aparecen CALL SERVICE (Llamar al servicio), o ERROR y un número	<p>El control del horno está equipado con un sistema de autodiagnóstico. El sistema de autodiagnóstico lo alerta si existe algún error o problema. Cuando el control electrónico señala un problema, siga los pasos que se enumeran a continuación.</p> <ol style="list-style-type: none"> <li>1. Registre el número que se muestra.</li> <li>2. Desenchufe el horno. Espere un (1) minuto. Enchufe el horno. <ul style="list-style-type: none"> <li>- Desconectar el suministro eléctrico puede eliminar el código de servicio. Si la falla continúa, póngase en contacto con ComServ en el 1-866-426-2621 o con un proveedor de servicio autorizado de ACP.</li> </ul> </li> </ol>
El horno funciona, pero no calienta los alimentos.	<p>Coloque una taza de agua en el horno.</p> <p>Haga funcionar el horno un (1) minuto a plena potencia (100%)</p> <p>Si la temperatura del agua no sube, el horno no funciona correctamente. Póngase en contacto con ComServ en el 1-866-426-2621 o con un proveedor de servicio autorizado de ACP.</p>
Aparece el mensaje HOT (Caliente)	El magnetrón del horno se ha sobrecalentado. El horno interrumpe automáticamente la secuencia de cocción y enciende el ventilador de enfriamiento hasta que se alcanza la temperatura normal. Cuando los magnetrones se enfrían hasta la temperatura normal, el horno vuelve al modo READY (Listo).
CALL SERVICE (Llamar al servicio; parpadea después del ciclo de cocción)	Puede que el horno no esté funcionando a plena potencia. Póngase en contacto con ComServ en el 1-866-426-2621 o con un proveedor de servicio autorizado de ACP.