



TABLE TENNIS TABLE

MODEL NO.

T8523

OWNER'S MANUAL

1. **Read this manual carefully before starting assembly.** Read each step completely before beginning each step.
2. **Some smaller parts may be shipped inside larger parts. Check inside all parts and cartons before assembling or ordering parts.**
3. **To make assembly easier, use the Hardware Identifier on page 7 to identify and sort all fasteners. Check all cartons for kits. All hardware may not be located in one kit.**
4. **Do not tighten hardware until instructed to do so.** If hardware is tightened too soon, mounting holes may not align and parts may not easily fit together. Leave locknuts slightly loose until you are instructed to tighten them.
5. **Tools required for assembly:** Phillips Screwdriver, Two 9/16" Wrenches, One 3/8" Wrench.
Note: Adjustable wrenches can be substituted for wrenches.
6. **Save this instruction manual and your proof of purchase (receipt) in the event that the manufacturer has to be contacted for replacement parts.**

Please Do Not Return This Product To The Store!

Contact Escalade® Sports customer service department at:

Phone: 1-866-873-3528 Toll – Free !

Fax: 1-866-873-3533 Toll – Free !

E-mail: tabletennis@escaladesports.com

Mailing Address (correspondence only):

Escalade Sports

PO Box 889

Evansville, IN 47706

Please visit our World Wide Web site at: www.escaladesports.com

ON-LINE TROUBLE SHOOTING

TECHNICAL ASSISTANCE

ON-LINE PARTS REQUESTS

FREQUENTLY ASKED QUESTIONS

ADDITIONAL ESCALADE® SPORTS PRODUCT INFORMATION



2L-4138-00

Escalade® Sports products may be manufactured and/or licensed under the following patents.
6120397, 5816957, 5769744, 5119741, 4911085, 4717157, D460140, D420563

Additional patents may be pending. One or more of the listed patents and/or pending patents may cover specific product.

2012 Escalade Sports



CAUTION: AT LEAST TWO ADULTS ARE NEEDED TO COMPLETE THE ASSEMBLY! DO NOT LEAVE TABLE UNATTENDED UNTIL ASSEMBLY IS COMPLETE!

1. Open the hardware kit and sort all the hardware. For your help in identifying hardware, see the hardware identifier on page 7.
2. Insert one Caster without Brake #11 and one Caster with Brake #12 into Caster Beam #14. Be sure casters are inserted all the way into caster beam. Assemble both caster beams and casters the same way. See Figure 1.
3. Attach two Upright Tubes #15 to each Caster Beam #14 using two Carriage Bolts #28, two washers #29 and two locknuts #26 in each tube. See Figure 2. **Tighten nuts but do not overtighten, cracking the plastic.**
4. Attach one Safety Latch #19 in the right hand hole of a Name Panel #17 as shown in Figures 3 and 3A. Attach with one screw #24, one washer #25 and one locknut #23. **NOTE: Safety latch must be installed exactly as shown, with flange on safety latch over top of name panel.**

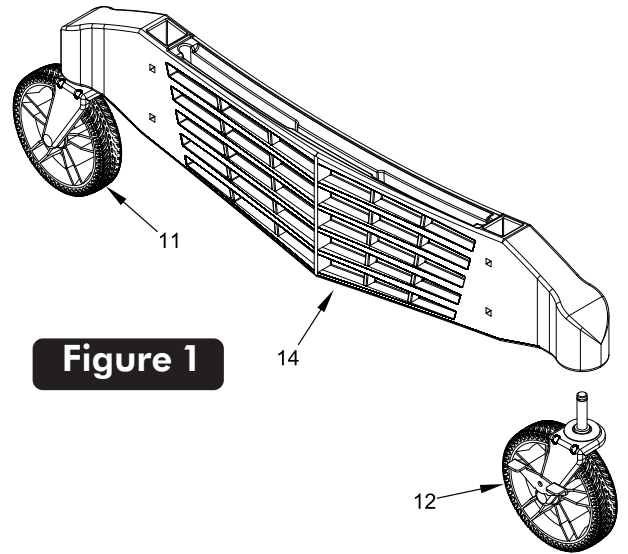


Figure 1

IMPORTANT: Do not overtighten locknuts. Latches #19 must pivot freely. When latch is pivoted, it must freely fall back to original position when released.

Assemble the other safety latch #19 to the other name panel #17 in exactly the same way.

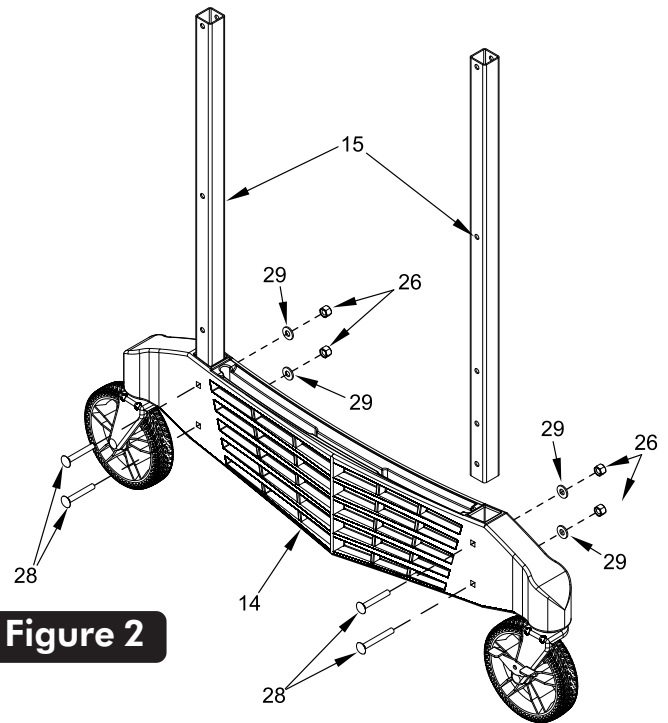


Figure 2



CAUTION:

INSTALL SAFETY LATCHES EXACTLY AS SHOWN. DO NOT SKIP THIS STEP. DO NOT OPERATE TABLE WITHOUT SAFETY LATCHES INSTALLED.

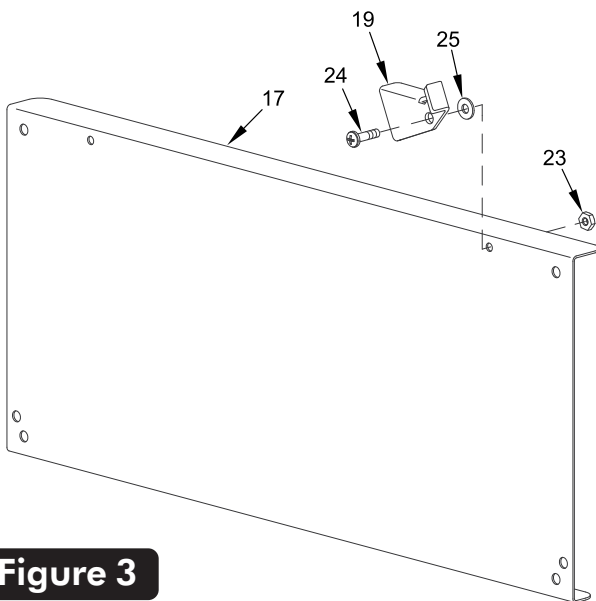
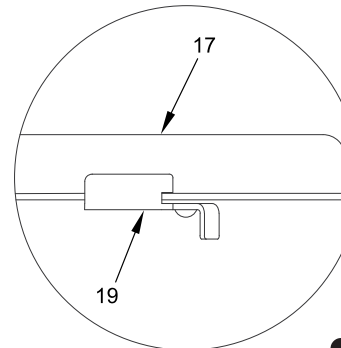


Figure 3

TOP VIEW

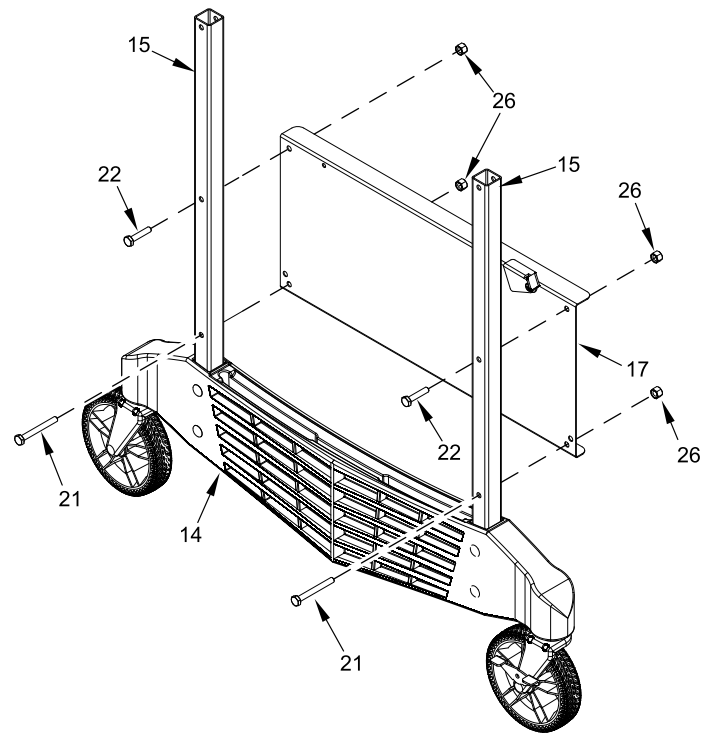


IMPORTANT: SAFETY LATCH #19 MUST BE INSTALLED AS SHOWN WITH FLANGE AND LATCH OVER TOP OF NAME PANEL!

Figure 3A

- Attach Name Panel #17 to inside of Upright Tubes #15 using two bolts #21, two bolts #22, and four locknuts #26. See Figure 4. Short bolts #22 go in top holes and long bolts #21 go in bottom holes. Tighten top bolts #22 but do not overtighten, crushing tubes. **Do not tighten bottom bolts #21 tight yet, they will have to be removed in a later step.**
- Repeat step 5 with other name panel and caster beam with upright tubes. See Figure 4.

Figure 4



- Attach Wood Bottom Board #18 to Caster Beams #14 as shown in Figure 5. Attach with four bolts #32 and four locknuts #26. Tighten locknuts #26 but do not overtighten, cracking plastic. See Figure 5.



CAUTION:

AT LEAST TWO ADULTS ARE NEEDED TO COMPLETE THE REMAINDER OF THIS ASSEMBLY!

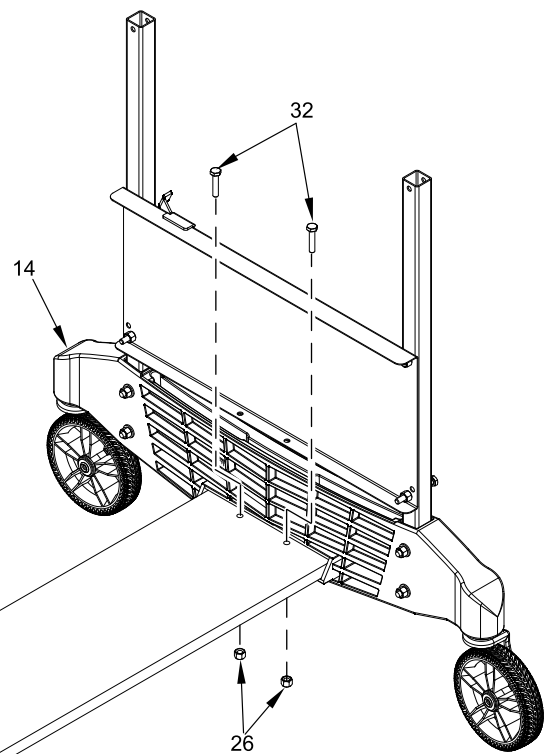
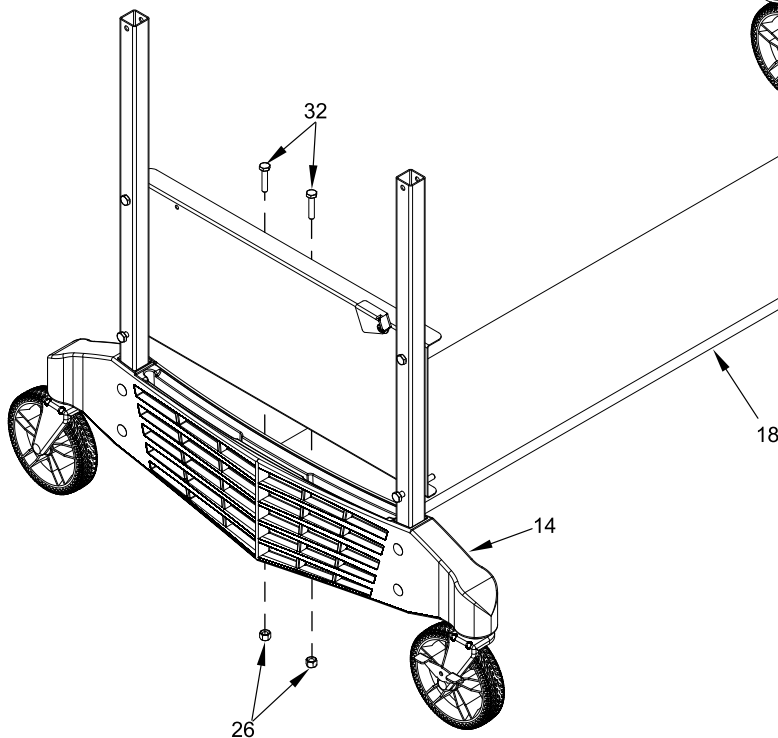


Figure 5





CAUTION: AT LEAST TWO ADULTS ARE NEEDED TO COMPLETE THE FOLLOWING STEPS!

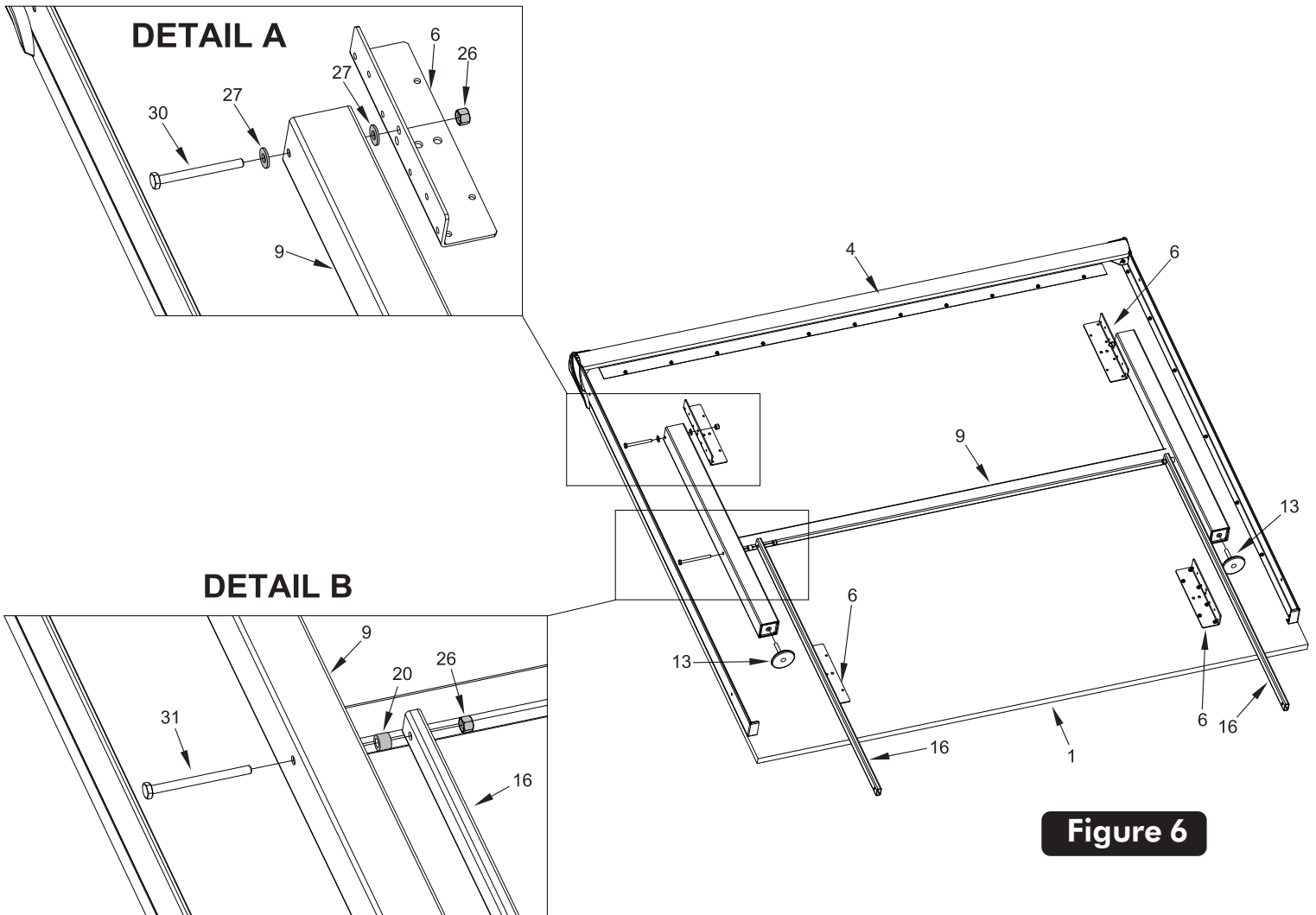


Figure 6

8. When doing this step, you may want to place a towel between table top and wall to keep from scratching wall. With the help of at least one other adult, take either table half #1 and lean it against a wall as shown in Figure 6. Turn top so that it is positioned as shown.

NOTE: If you desire, table can be placed on the floor, if carpeted, or on the shipping carton, with the playing surface down. Be careful not to damage the playing surface.

9. Attach Leg Assembly #9 to Brackets #6 on the bottom of table half #1. See Figure 6 and Detail A. Use two bolts #30, four washers #27 and two locknuts #26. **NOTE: Washers #27 go on both sides of leg. NOTE: Cross Brace on Leg Assembly goes against table.**

Tighten locknuts snug, but do not overtighten. Leg must pivot in brackets.

10. Screw a Leg Leveler #13 into end of each leg on leg assembly #9. See Figure 6.

11. Attach Linkages #16 to **inside** of legs #9 using bolts #31, Spacers #20 and Locknuts #26. **NOTE: Spacer #20 goes between leg and linkage.** See Figure 6 and Detail B. Tighten locknuts snug, but do not overtighten. Joint must be able to move.

12. You are now done assembling parts to the first table half. Repeat steps 8 – 11 on second table half.



CAUTION:

UNTIL THE TABLE HALVES ARE CONNECTED THEY WILL NOT STAND ON THEIR OWN. IT IS RECOMMENDED TO HAVE THREE PEOPLE TO CONNECT TABLE HALVES. TWO TO STABILIZE TABLE AND ONE TO BOLT TABLE TOGETHER.

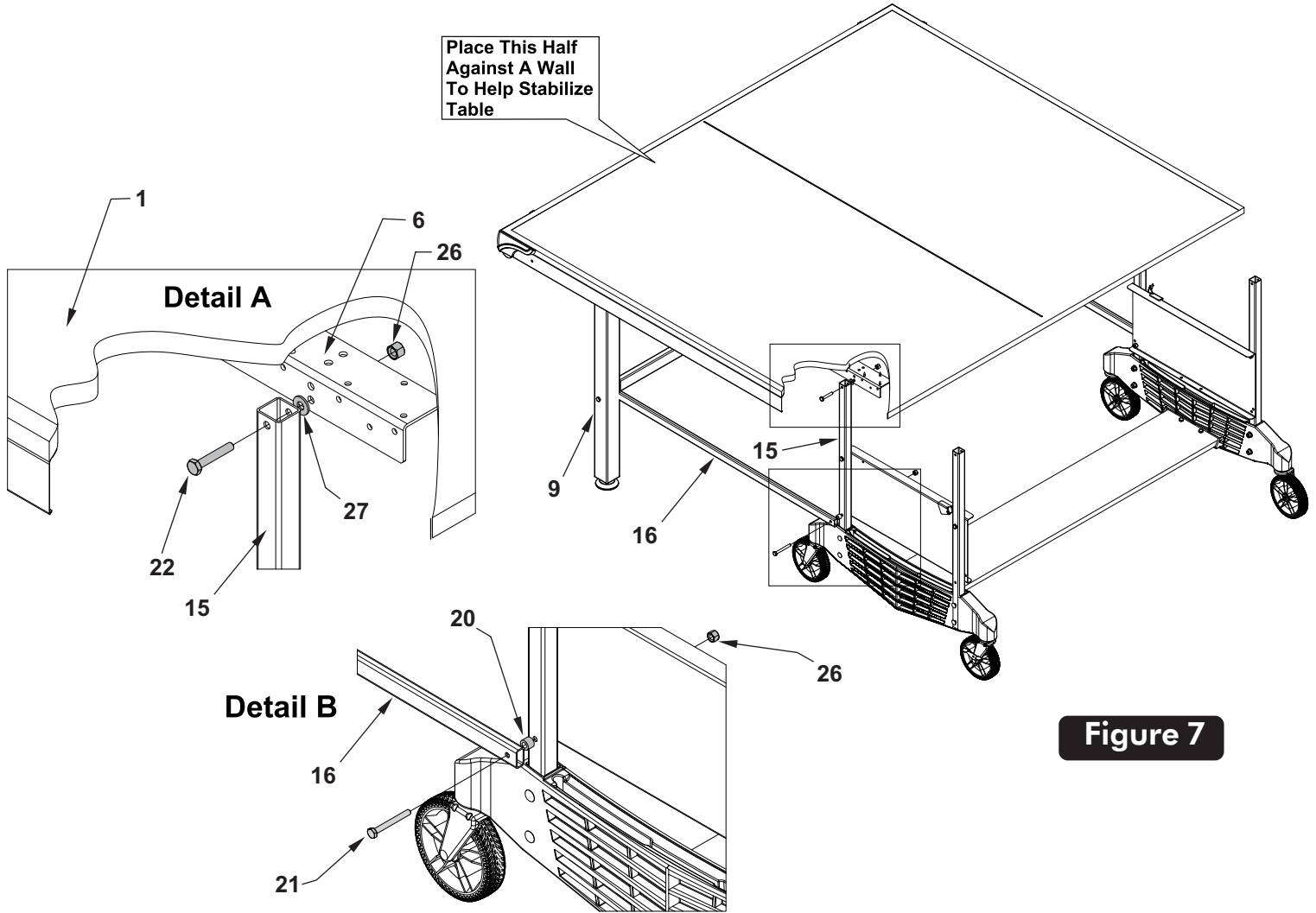


Figure 7

- Place a Hex Bolt #22, a Washer #27 and a Locknut #26 on the floor next to all four caster wheels on both sides of base assembly you put together earlier.
- Make sure the leg assembly #9 on the first table half is open and linkages #16 are pointing toward middle of table. See Figure 7. With one adult person on each side of the table, lift and set table half on its legs.

While holding table half up, pull the base assembly under this half until the hole in Upright Tube #15 is aligned with **lower middle** hole in the Mounting Bracket #6 on the bottom of table half. See Figure 7 and Detail A. Attach Upright Tubes #15 to Mounting Brackets #6 with Hex Bolts #22, Washers #27 and Locknuts #26 that you placed on floor in step 13.

- Remove bottom bolts #21 from bottom holes that attach name panels to Upright Tubes. Attach end of Linkage #16 to **outside** of Upright Tube #15 with bolt #21 (that you just removed), spacer #20 and Locknut #26. Note spacer #20 goes between linkage #16 and upright tube #15. See Figure 7 and Detail B. Tighten all nuts snug, but do not overtighten. Joints must pivot.



CAUTION:

TABLE HALF WILL NOT STAND ON ITS OWN, YOU MUST HOLD IT UP!

Brace table half against a wall to help stabilize it. Be sure that there is enough room to connect second half.



CAUTION:

DO NOT ATTEMPT TO RAISE THIS HALF UP TO STORAGE POSITION UNTIL OTHER HALF TOP IS ATTACHED AND YOU HAVE READ AND UNDERSTAND ALL OPERATING INSTRUCTIONS.



CAUTION: AT LEAST TWO ADULTS ARE NEEDED TO COMPLETE THE FOLLOWING STEPS!

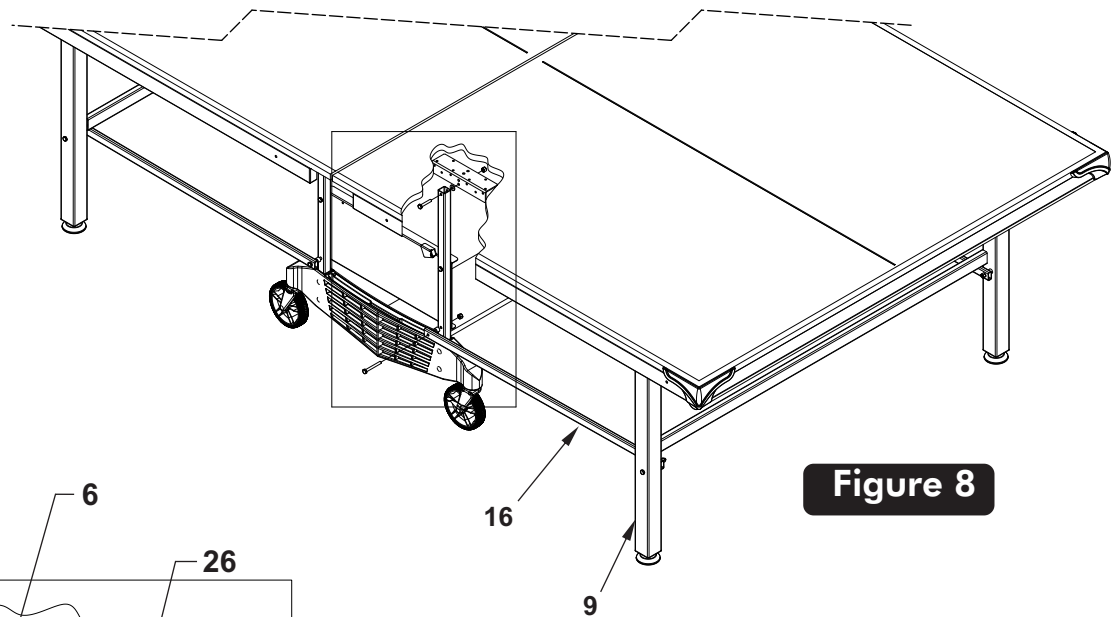
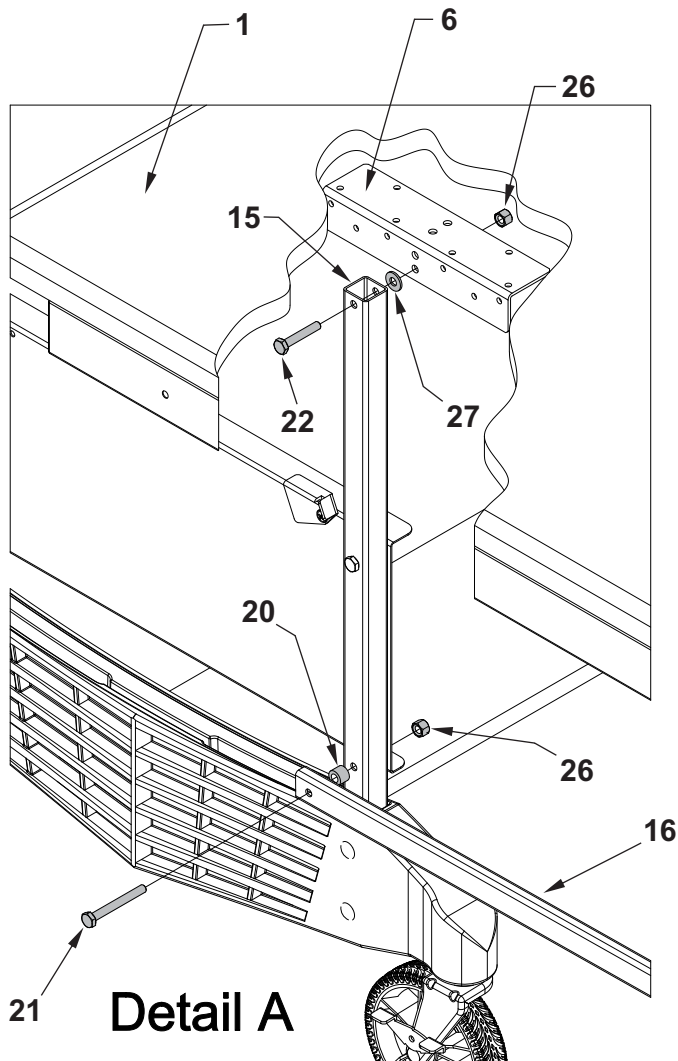


Figure 8



Detail A

16. With first table half (that you just attached) braced against a wall, attach second table half.

Make sure the leg assembly #9 on the second table half is open and linkages #16 are pointing toward middle of table. See Figure 8. With one adult person on each side of the table, lift and set table half on its legs.



CAUTION:
TABLE HALF WILL NOT STAND ON ITS OWN, YOU MUST HOLD IT UP!

While holding table half up, slide this half toward base assembly until the hole in Upright Tube #15 is aligned with lower middle hole in the Mounting Bracket #6 on the bottom of table half. See Figure 8 and Detail A. Attach Upright Tubes #15 to Mounting Brackets #6 with Hex Bolts #22, Washers #27 and Locknuts #26 that you placed on floor in step 13.

17. Remove bottom bolts #21 from bottom holes that attach name panels to Upright Tubes. Attach end of Linkage #16 to outside of Upright Tube #15 with bolt #21 (that you just removed), spacer #20 and Locknut #26. Note spacer #20 goes between linkage #16 and upright tube #15. See Figure 8 and Detail A. **Go back over assembly and tighten all nuts snug, but do not overtighten. Joints must pivot.**

Congratulations! You have completed assembly of your new Table Tennis Table. Please read and understand the Opening and Closing Instructions before using your table.

TO LEVEL TABLE IN PLAYING POSITION

You can raise, or lower, outer ends of table by screwing the leg levelers # 13 in to lower or out to raise. See Figure 9.

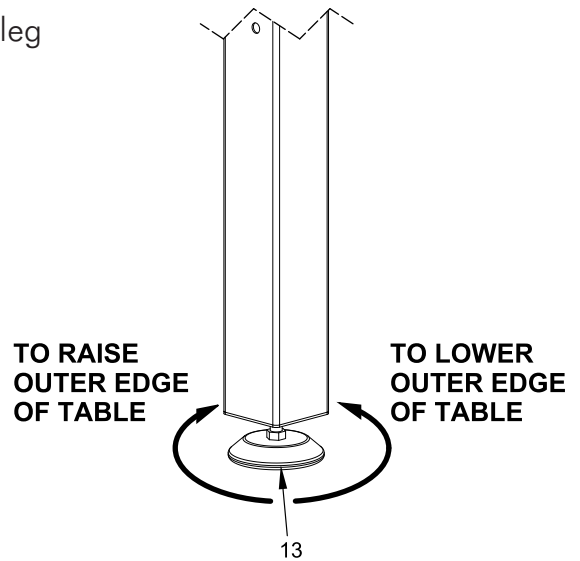
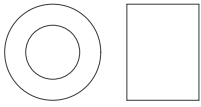
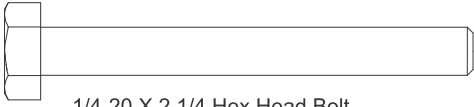
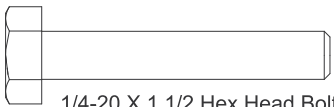
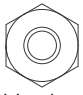
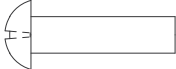
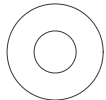
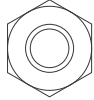
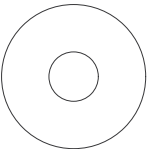
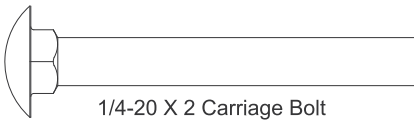
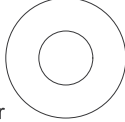
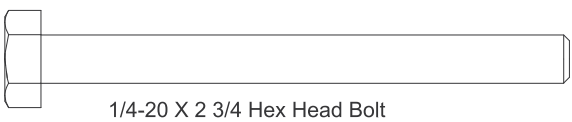
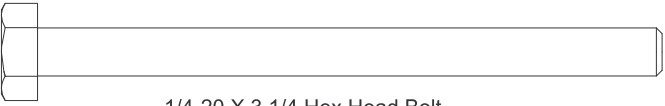
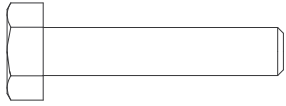


Figure 9

HARDWARE IDENTIFIER

<p>20</p>  <p>3/8" Spacer (8 Pieces)</p>	<p>21</p>  <p>1/4-20 X 2 1/4 Hex Head Bolt (4 Pieces)</p>	<p>22</p>  <p>1/4-20 X 1 1/2 Hex Head Bolt (8 Pieces)</p>		
<p>23</p>  <p>#10-24 Locknut (2 Pieces)</p>	<p>24</p>  <p>#10-24 X 3/4 Phillips Head Screw (2 Pieces)</p>	<p>25</p>  <p>#10 Washer (2 Pieces)</p>	<p>26</p>  <p>1/4-20 Locknut (32 Pieces)</p>	<p>27</p>  <p>Nylon Washer (12 Pieces)</p>
<p>28</p>  <p>1/4-20 X 2 Carriage Bolt (8 Pieces)</p>	<p>29</p>  <p>1/4" Washer (8 Pieces)</p>	<p>30</p>  <p>1/4-20 X 2 3/4 Hex Head Bolt (4 Pieces)</p>		
<p>31</p>  <p>1/4-20 X 3 1/4 Hex Head Bolt (4 Pieces)</p>		<p>32</p>  <p>1/4-20 X 1 1/4 Hex Head Bolt (4 Pieces)</p>		

OPENING AND CLOSING INSTRUCTIONS

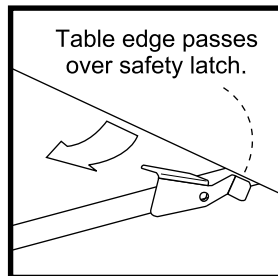
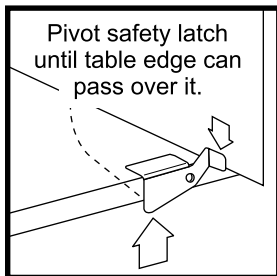


CAUTION:

READ OPERATING INSTRUCTIONS CAREFULLY BEFORE OPERATING TABLE!
DO NOT ALLOW CHILDREN TO OPEN TABLE! DO NOT CLIMB, STAND OR
JUMP ON TABLE! SERIOUS OR FATAL INJURY MAY RESULT! THIS IS NOT A
TOY! TABLE IS TO BE OPENED OR CLOSED BY ADULTS ONLY! FAILURE TO
COMPLY WITH OPENING AND CLOSING INSTRUCTIONS COULD RESULT
IN PERSONAL INJURY OR PROPERTY DAMAGE.

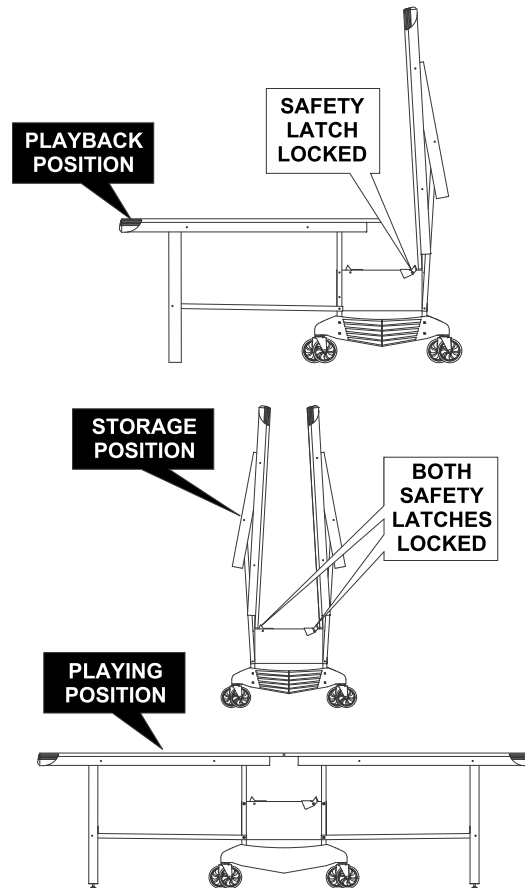
TO OPEN:

1. Stand behind the table near the safety latch.
2. Hold table half with one hand and pivot safety latch enough to allow the edge of the table half to pass over it.
3. While keeping an eye on the safety latch, pivot table half until it moves past the safety latch. Once edge of table has passed over safety latch, stop pivoting table half.
4. With both hands on the table half, center yourself along the table half and lower the table half to the floor.
5. Repeat for the other table half.



TO CLOSE:

1. Lift table half upward and inward to vertical position.
2. Check to be sure that table half is locked in the safety latch.
3. Repeat for the other table half.



CAUTION

THIS IS A GAME TABLE. DO NOT SIT, STAND, LEAN, WALK OR JUMP ON TABLE! FAILURE TO COMPLY WITH THIS CAUTION COULD RESULT IN PERSONAL INJURY AND/OR PROPERTY DAMAGE!

ONE YEAR LIMITED WARRANTY

This consumer warranty extends to the original consumer purchase of any ESCALADE® SPORTS Product (hereinafter referred as the "Product").

WARRANTY DURATION: This Product is warranted to the original consumer purchase of a period of one (1) year from the original purchase.

WARRANTY COVERAGE: ESCALADE SPORTS warrants to the original Consumer Purchaser that any Product of its manufacture is free from defects in material and workmanship when used for the intended purpose under normal use and conditions. THIS WARRANTY IS VOID IF THE PRODUCT HAS BEEN DAMAGED BY ACCIDENT, UNREASONABLE USE, NEGLIGENCE, IMPROPER SERVICE, FAILURE TO FOLLOW INSTRUCTIONS PROVIDED WITH THE PRODUCT OR OTHER CAUSES NOT ARISING OUT OF DEFECTS IN MATERIAL AND WORKMANSHIP.

WARRANTY PERFORMANCE: During the above one (1) year warranty period, ESCALADE SPORTS shall repair or replace with a comparable model, and Product, or component thereof, which may prove defective under normal use and proper care, and which our examination shall disclose to our satisfaction to be thus defective, please contact our Warranty Dept.

1-866-873-3528 / Warranty Dept.

Or Write us at:

Escalade® Sports, Inc. - P.O. Box 889, Evansville, IN 47706 - Attn: Warranty Dept.

Or E-mail us at:

customerservice@escaladesports.com

Other than shipping requirements no charge will be made for such repair or replacement of in-warranty Products. ESCALADE® SPORTS strongly recommends that the Product is insured for value prior to mailing.

WARRANTY DISCLAIMERS: ANY IMPLIED WARRANTIES ARISING OUT OF THIS SALE, INCLUDING BUT NOT LIMITED TO THE IMPLIED WARRANTIES OF MERCHANTABILITY AND FITNESS FOR A PARTICULAR PURPOSE, ARE LIMITED IN DURATION TO THE ABOVE ONE (1) YEAR WARRANTY PERIOD. ESCALADE® SPORTS SHALL NOT BE LIABLE FOR LOSS OF USE OF THE PRODUCT OR OTHER CONSEQUENTIAL OR INCIDENTAL COSTS, EXPENSES OR DAMAGES INCURRED BY THE CONSUMER OF ANY OTHER USE.

Some states do not allow the exclusion or limitation of implied warranties or consequential or incidental damages, so the above limitations or exclusions may not apply to you.

LEGAL REMEDIES: This warranty gives you specific legal rights and you may also have other rights which may vary from state to state.

CARE AND MAINTENANCE

You have purchased a quality product that will give you years of enjoyment. By following these simple maintenance steps, you will add to the life of your new table.

THE TABLE TOP

The top (playing surface) of your table is made of particle board or MDF. Like all products made of wood, it can be affected by atmospheric changes in both temperature and humidity. This may cause a slight sag or distortion as the top expands or contracts. This is normal and should not cause concern as it does not detract from the play or utility value of the table. After assembly of the table, you can minimize the effects of temperature and humidity changes by storing the table in the folded up position in a dry area when table is not in use.

STORAGE OF YOUR TABLE

This table must be stored indoors to prevent damage to the playing surface. Dampness and extreme temperature changes can cause the wood to warp, swell, crack or blister. When your table is not in use, it should be folded up in a dry area. Due to the nature of particle board, table top may bow. Damp and humid conditions will amplify this. This is normal and will not affect playability of table.

CLEANING YOUR TABLE

To clean your table use a soft, damp (NOT WET) cloth only. To prevent damage to your table's playing surface, DO NOT USE ANY CHEMICALS, ABRASIVE OR CLEANING PRODUCTS on your table's playing surface.

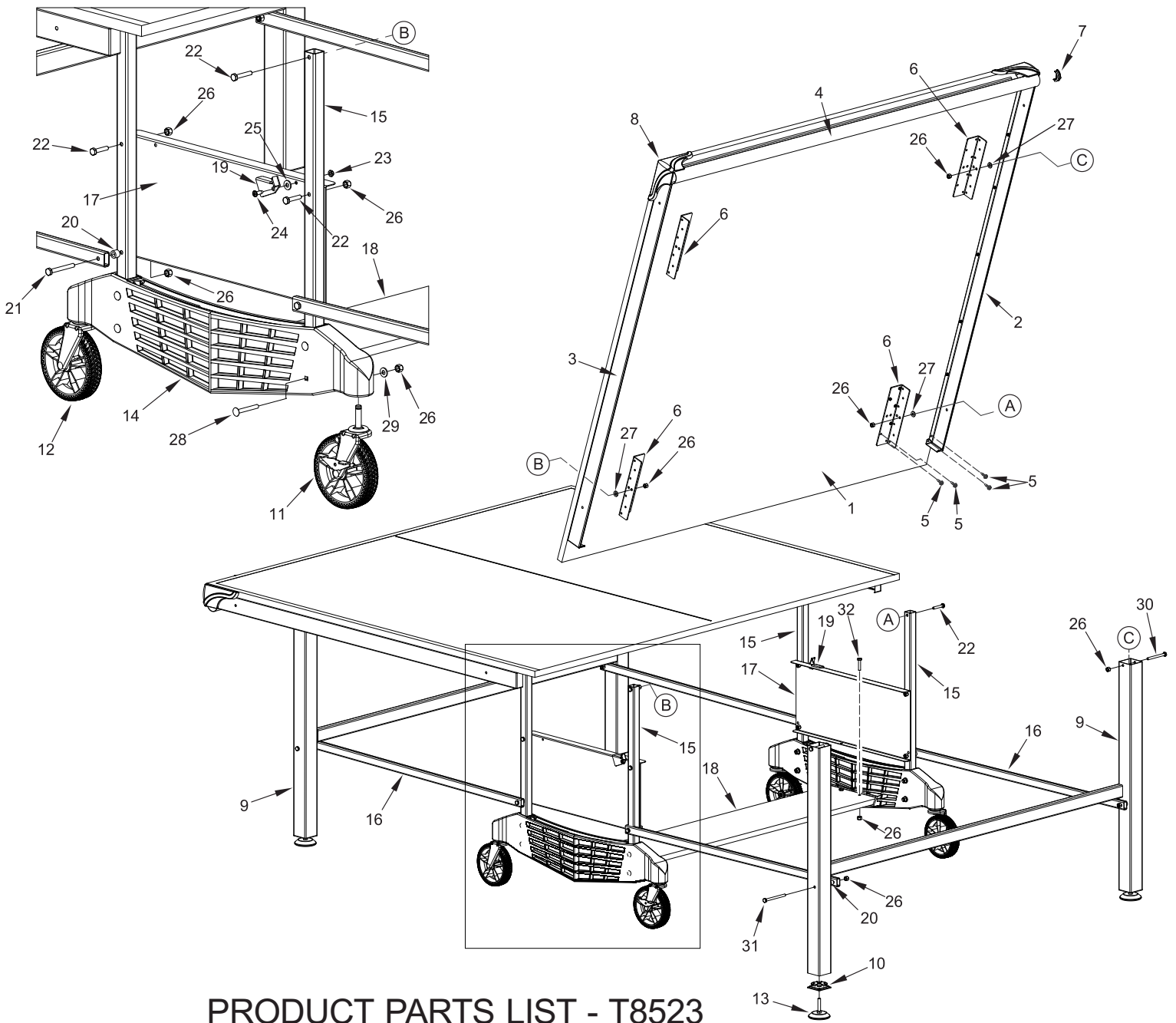
MAINTENANCE OF YOUR TABLE

Be sure to oil all moving parts of your table including the pivot points. This will insure the safety and ease of use of your table.

This table must be kept indoors to prevent damage to the playing surface. Dampness and extreme temperature changes which occur on patios or similar areas can cause wood to warp, swell, crack or blister.

UNEVEL FLOORS

If table does not seem level, it is probably due to uneven or unlevel floors. Set the table in its PLAYING POSITION and move table several inches in different directions to find the best location for the table then use leg levelers provided to level table. If the floor is extremely unlevel, table may not play or operate properly.



PRODUCT PARTS LIST - T8523

Item No.	Part No.	Description	Qty.	Item No.	Part No.	Description	Qty.
1	4A-5532-00	Table Half Top	2	18	2W-7641-01	Wood Bottom Board	1
2	2S-4644-05	Side Rail - Right Hand	2	19	2S-6496-02	Safety Latch	2
3	2S-4645-05	Side Rail - Left Hand	2	20	7B-6161-02	Plastic Spacer	8
4	2S-5136-01	Ball Holder / End Rail	2	21	WB-1075-02	1/4-20 x 2 1/4 Hex Head Bolt	4
5	1B-4082-99	#8 x 9/16 Sheet Metal Screw	122	22	WB-1094-02	1/4-20 x 1 1/2 Hex Head Bolt	8
6	2S-6139-01	Mounting Bracket	8	23	WB-1007-02	#10-24 Locknut	2
7	3M-1027-00	End Plug (for the End Rail)	4	24	1B-4049-01	#10-24 x 3/4 Phillips Round Head Screw	2
8	3M-4165-00	Corner Protector	4	25	2N-0214-02	#10 Burr Washer	2
9	1A-7001-02	Leg Assembly	2	26	2B-4047-02	1/4-20 Locknut	32
10	7B-6404-00	2 x 2 Leg Insert - 5/16-18 Threads	4	27	2B-6087-02	Nylon Washer	12
11	2Q-4031-00	5" Caster	2	28	1B-6117-00	1/4-20 x 2 Carriage Bolt	8
12	2Q-4032-00	5" Caster With Brake	2	29	2N-0109-02	1/4 Washer	8
13	2Q-4028-00	5/16-18 Leg Leveler	4	30	1B-6191-02	1/4-20 x 2 3/4 Hex Head Bolt	4
14	3M-6839-01	Molded Caster Beam	2	31	1B-6477-02	1/4-20 x 3 1/4 Hex Head Bolt	4
15	8S-6783-02	Upright Tube	4	32	1B-6475-02	1/4-20 x 1 1/4 Hex Head Bolt	4
16	8S-6506-03	Linkage	4	33	5A-4276-00	Clipper Net & Post Set	1
17	2S-6422-28	Name Panel	2	34	2L-4138-00	Owners Manual	1



MESA DE TENIS
NÚMERO DE MODELÓ
T8523

MANUAL DEL USUARIO

1. **Lea este manual cuidadosamente antes de empezar a ensamblar.** Lea completamente cada uno de los pasos antes de empezar cada paso.
2. **Algunas partes pequeñas pueden ser empacadas dentro de las partes grandes. Verifique en el interior de todas las partes y cartones antes de ensamblar o solicitar partes.**
3. **Para que el ensamblado le sea más fácil, utilice la lista de partes de la página 7 para la identificación y clasificación de las partes y sus componentes. Busque los juegos de tornillos en todos los cartones. Todos los tornillos y sus componentes no se encuentren en un sólo juego.**
4. **No ajuste las partes hasta que las instrucciones se lo indiquen.** Si las partes se ajustan antes de lo indicado, es posible que los orificios no queden alineados, resultando que las partes queden fuera de su lugar y fácilmente no coincidan. Deje las tuercas de seguridad levemente flojas hasta que las instrucciones le indiquen ajustarlas.
5. **Herramientas necesarias:** Desarmador Phillips, dos llaves de 9/16" y dos llaves de 3/8" (Puede utilizar una llave ajustable en vez de llaves).
6. **Guarde estas instrucciones y recibo de pago en el evento que el fabricante deba de ser contactado para partes de replazo.**

Por favor NO devuelva este producto a la tienda!

Contacte el departamento de servicio al cliente de Escalade® Sports:

Teléfono: 1-866-873-3528 ¡Sin costo alguno!

Fax: 1-866-873-3533 ¡Sin costo alguno!

Correo Electronico: tabletennis@escaladesports.com

Apartado postal (sólo para correspondencia):

Escalade Sports

PO Box 889

Evansville, IN 47706

Visite nuestra página Web internacional: www.escaladesports.com

SOLUCION DE PROBLEMAS POR INTERNET

ASISTENCIA TÉCNICA

PEDIDO DE PARTES POR INTERNET

PREGUNTAS FRECUENTES

MÁS INFORMACIÓN SOBRE PRODUCTOS DE ESCALADE® SPORTS

2L-4138-00

Los productos Escalade® Sports se pueden fabricar y/o producir bajo las siguientes patentes.
6120397, 5816957, 5769744, 5119741, 4911085, 4717157, D460140, D420563

Puede haber patentes en trámite. Una o más patentes mencionadas y/o en trámite pueden cubrir productos específicos.

2012 Escalade Sports

PRECAUCIÓN

CUIDADO: SE REQUIEREN POR LO MENOS DOS ADULTOS PARA COMPLETAR EL ENSAMBLADO! NO DEJE LA MESA DESATENDIDA HASTA QUE HAYA FINALIZADO EL ENSAMBLADO!

1. Abra el Juego (Conjunto) del hardware y clasifique todos los Tornillos y Tuercas. Consulte el identificador de hardware (tornillos y tuercas) en la página 7 para que le ayude y pueda identificar los tornillos y tuercas.
2. Inserte una Llanta sin Seguro #11 y una Llanta con Seguro #12 en el Carril con Llantas #14. Asegúrese que las Llantas estén insertadas completamente en el Carril con Llantas. Ensamble ambos Carriles con Llantas y las llantas de la misma manera. Vea la Figura 1.
3. Coloque dos Tubos Verticales #15 a cada Carril con Llantas #14 usando dos Tornillos de Carruaje #28, dos rondanas #29 y dos Tuercas de seguridad #26 en cada tubo. Vea la Figura 2. **Apriete las tuercas pero no las sobreapriete para no estrellar el plástico.**
4. Coloque un pasador de seguridad #19 en el orificio derecho del Placa con nombre #17 con un tornillo #24 una rondana #25 y una tuerca de seguridad #23 como se muestra en las Figuras 3 y 3A. **NOTA: El pasador de seguridad debe de instalarse exactamente como se muestra, con la PESTAÑA de el pasador de seguridad sobre la superficie del Placa con nombre**

IMPORTANTE: No sobreapriete las tuercas de seguridad. Los pasadores de seguridad #19 deben de girar libremente. Cuando el pasador este girado, este debe de regresarse libremente a su posición original cuando sea soltado.

Ensamble el otro pasador de seguridad #19 al otro Placa con nombre #17 exactamente de la misma manera.

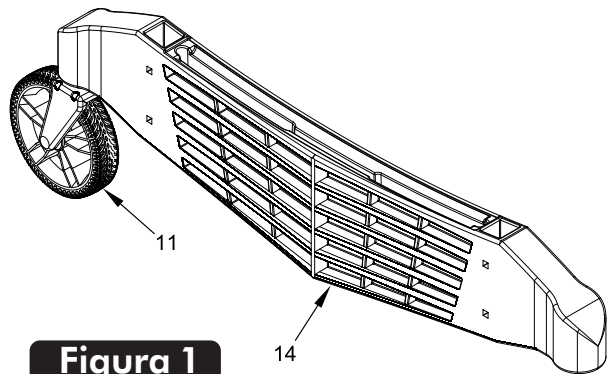


Figura 1

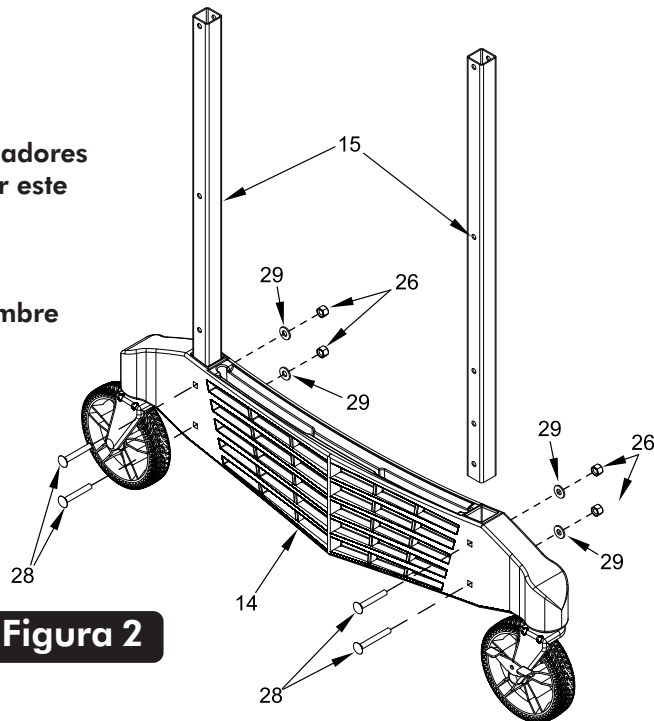
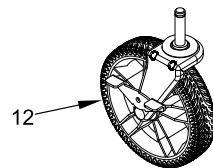


Figura 2

PRECAUCIÓN
INSTALE LOS PASADORES DE SEGURIDAD EXACTAMENTE COMO SE MUESTRA. NO OMITA ESTE PASO. NO UTILICE LA MESA SIN LOS PASADORES DE SEGURIDAD INSTALADOS.

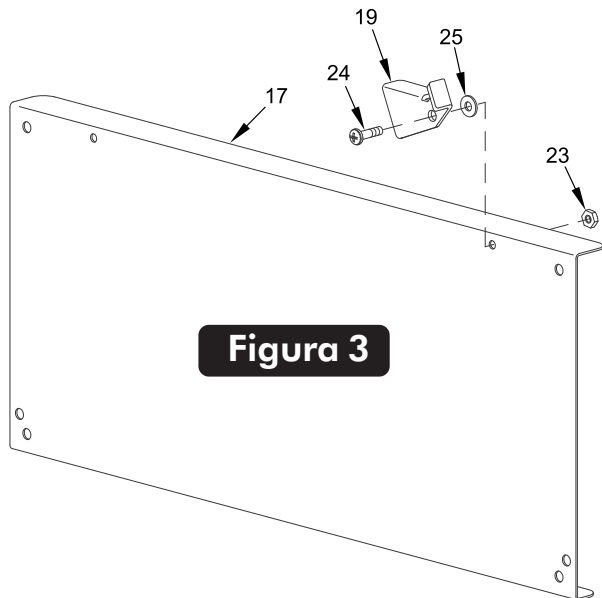
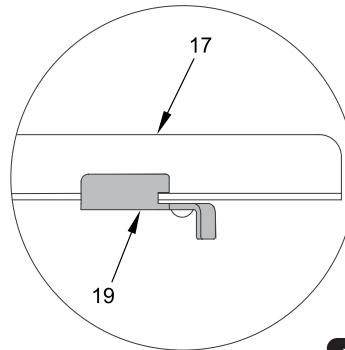


Figura 3

VISTA SUPERIOR

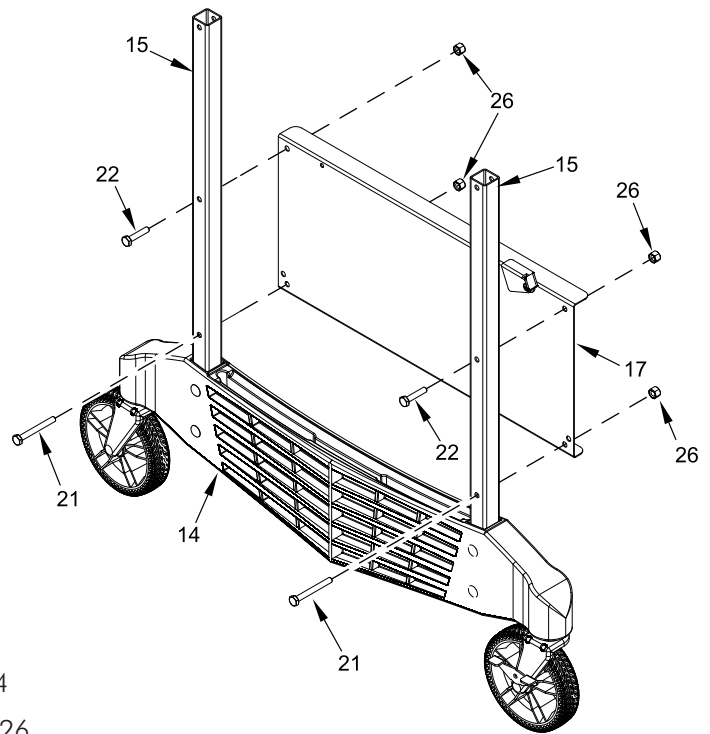


EL PASADOR DE SEGURIDAD #19 DEBE ESTAR INSTALADO COMO SE MUESTRA CON LA PESTAÑA Y EL PASADOR SOBRE LA SUPERFICIE DEL PLACA CON NOMBRE!

Figura 3A

- Coloque el Placa con nombre #17 en el interior de los tubos verticales #15 utilizando dos tornillos #21, dos tornillos #22, y 4 tuercas de seguridad #26. Vea Figura 4. Los tornillos cortos #22 van en los orificios superiores y los tornillos largos #21 van en los orificios inferiores. **No apriete los tornillos #21 todavía, los va a tener que remover luego.**
- Repita el paso 5 con, la otra Placa y el Carril con Llantas con los Tubos Verticales. Vea la Figura 4.

Figura 4



- Coloque la Tabla Inferior de Madera #18 al carril con llantas #14 utilizando los tornillos #32 y las cuatro (4) tuercas de seguridad #26 como se muestra en la Figura 5. Apriete las tuercas de seguridad #26 pero no las sobre apriete para no estrellar el plástico. Vea la Figura 5.

! PRECAUCIÓN
SE REQUIEREN POR LO MENOS DOS ADULTOS PARA TERMINAR EL RESTO DEL ENSAMBLADO!

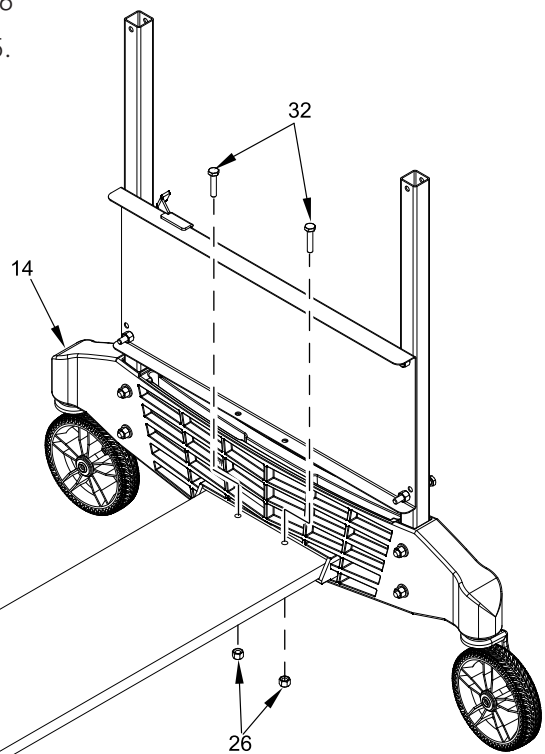
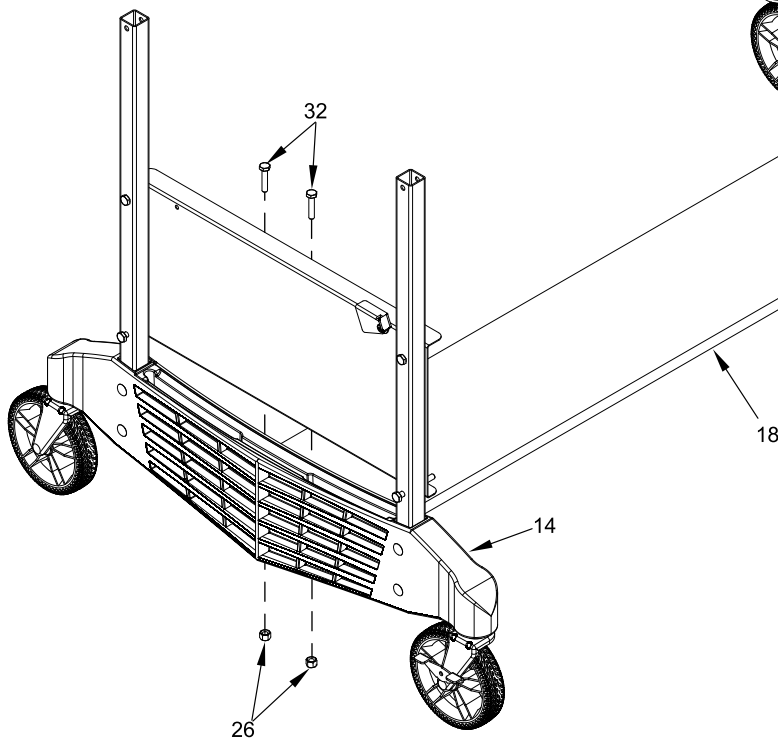
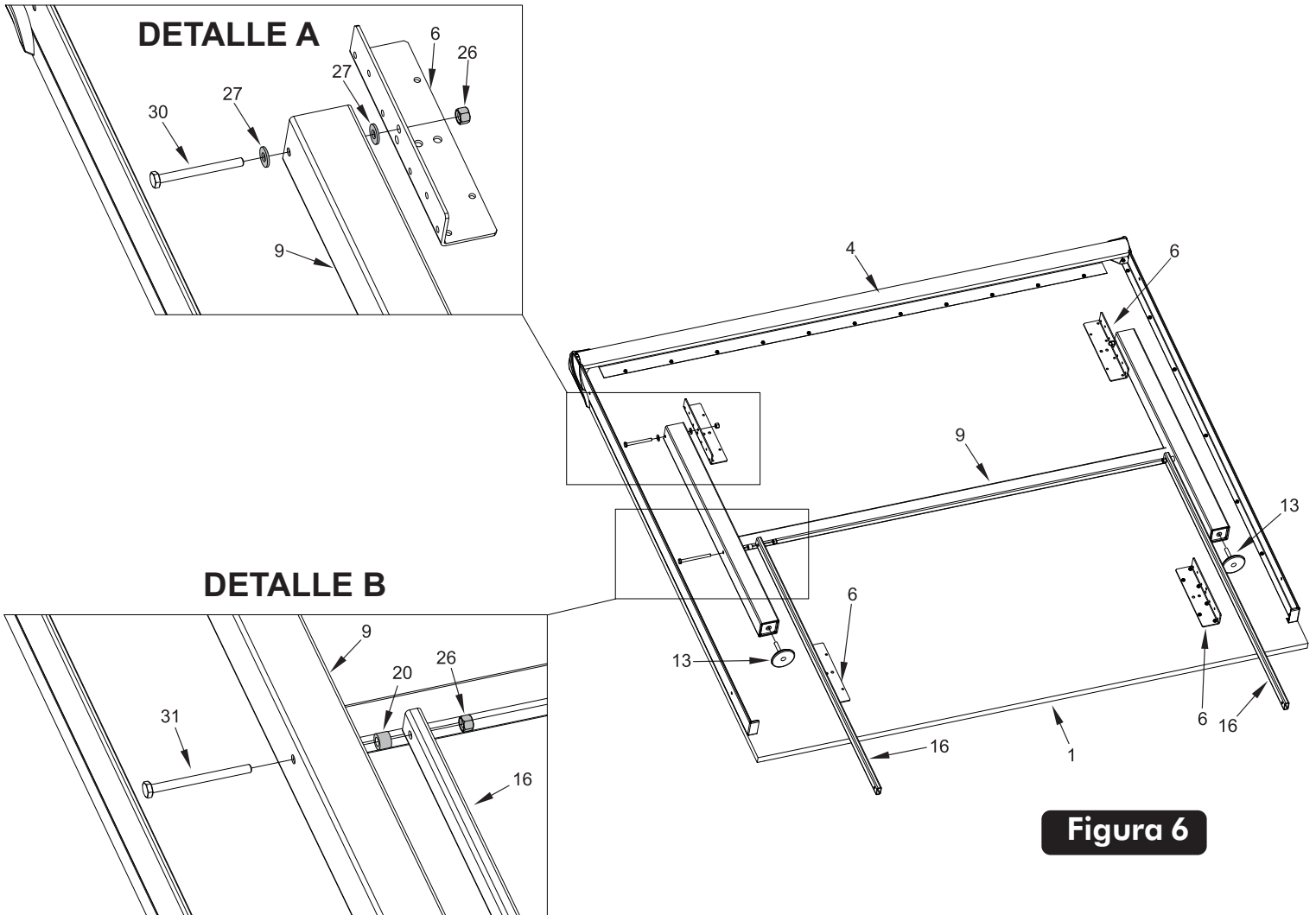


Figura 5





PRECAUCIÓN: ¡POR LO MENOS SE REQUIERE DE DOS ADULTOS PARA COMPLETAR LOS SIGUIENTES PASOS!



8. Cuando realice este paso, es posible que desee colocar una toalla entre el tablero y la pared para no rayar la pared. Con la ayuda de al menos de otro adulto, tome una de las mitades de la Mesa # 1 y apóyela contra una pared, como se muestra en la Figura 6. Gire el tablero para que este sea colocado como se muestra

NOTA: Si se desea, puede colocar la mesa en el suelo si está alfombrado o sobre la caja de cartón del empaque, con la superficie de juego hacia abajo. Tenga cuidado de no dañar la superficie de juego

9. Coloque la Pata Ensamblada #9 a los Soportes de Escuadra #6 en la parte inferior de la mitad de la mesa #1, utilizando dos tornillos #30, cuatro rondanas #27 y dos tuercas de seguridad #26. Vea la Figura 6 y el Detalle A. **NOTA: Rondanas #27 van en ambos lados de las pata. NOTA: la barra soldada en las patas #9 va en contra de la mesa.**

10. Atornille el Nivelador de la Pata # 13 en el extremo de cada pata ensamblada # 9. Vea la Figura 6.

11. Coloque los Tubos Conectores #16 en el interior de las patas #9 utilizando los tornillos #31, los Separadores #20 y las Tuercas de Seguridad #26. **NOTA: Los Separadores #20 van entre las patas y los tubos conectores.** Vea la Figura 6 y el Detalle B. Apriete las tuercas de seguridad ajustándolas, pero no las sobre apriete. Ya que la unión debe ser capaz de moverse.

12. Ya ha terminado de ensamblar las partes a la primera mitad de mesa. Repita los pasos del 8 al 11 a la Segunda mitad.

Apriete las tuercas de seguridad ajustándolas, pero no las sobre apriete. Ya que las patas deben girar sobre los soportes.



PRECAUCIÓN:

HASTA QUE LAS DOS MITADES DE LA MESA ESTÉN UNIDAS, ESTAS NO PODRÁN ESTAR PARADAS SOLAS. SE RECOMIENDA TRES (3) PERSONAS PAR UNIR LAS DOS MITADES DE LA MESA. DOS PERSONAS PARA SOSTENER LA MESA Y UNA PERSONA PARA ATORNILLAR LOS TORNILLOS A LA MESA

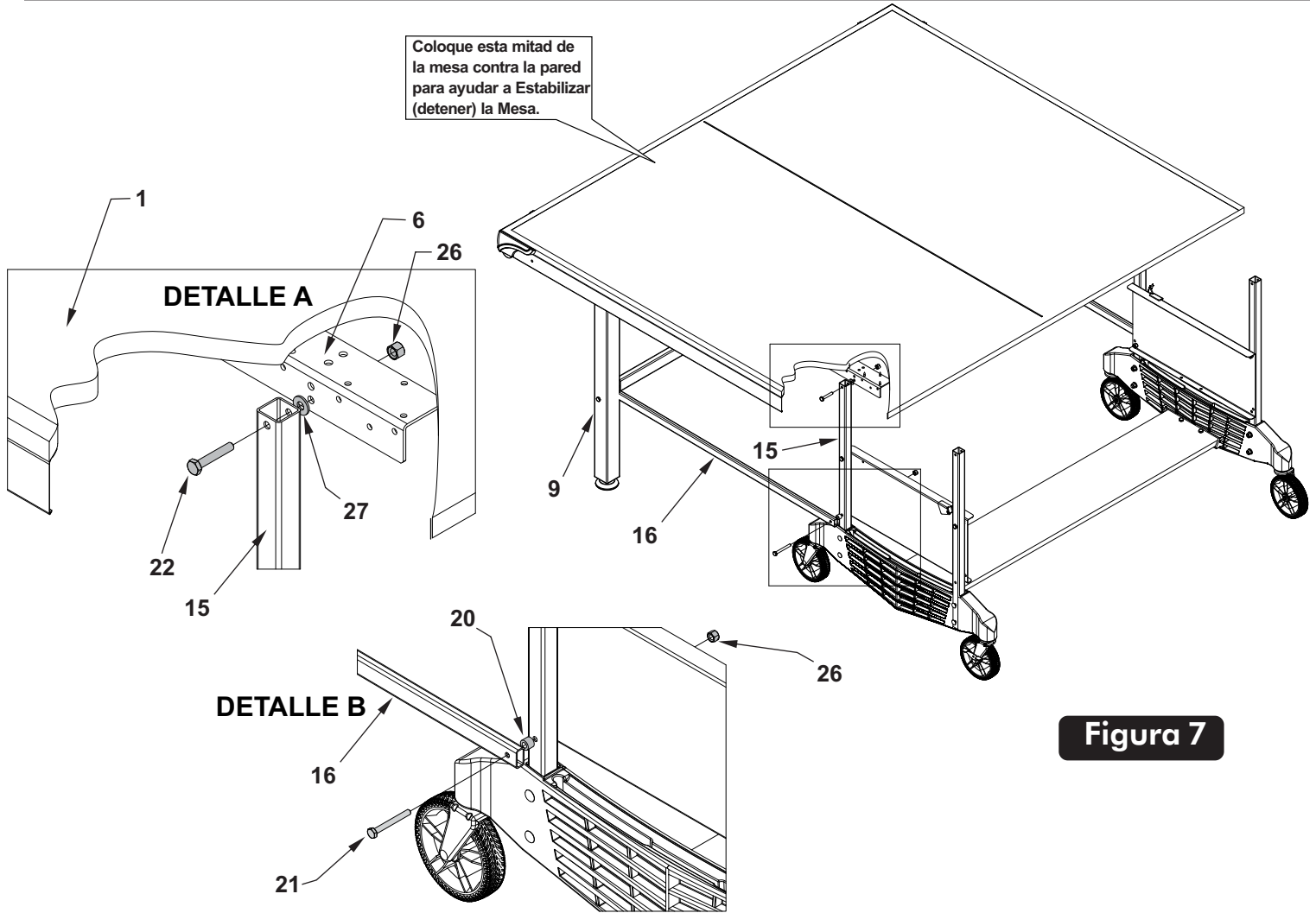


Figura 7

13. Coloque un Tornillo Hexagonal #22, una Rondana #27 y una Tuerca de Seguridad # 26 sobre el piso (suelo) junto a todas las cuatro llantas en ambos lados de la base ensamblada que instaló anteriormente

14. Asegúrese de que las patas ensambladas #9 de la mitad de la mesa estén abiertas y las bisagras #16 Estén apuntando hacia el centro de la mesa. Vea Figura 7. Con una persona adulta en cada lado de la mesa, levante y ponga la mitad de la mesa sobre sus patas.

Mientras sostiene la mitad de la mesa hacia arriba, jale la base ensamblada hacia debajo de esta mitad hasta que el orificio del tubo vertical #15 esté alineado con los orificios inferiores del centro del soporte de montaje (escuadra) #6 en la parte inferior de la mitad de la mesa. Vea la Figura 7 y el Detalle A. Coloque los tubos verticales #15 a los Soportes de montaje (escuadra) #6 con los tornillos #22, las Rondana #27 y las Tuercas #26 que colocó en el suelo (piso) en el paso 13.

15. Quite los tornillos #21 de la parte inferior de los orificios inferiores que unen los paneles "Name" a los Tubos Verticales. Coloque el extremo del Tubo Conector #16 hacia el exterior del Tubo Vertical #15 con los tornillos #21 (que acaba de quitar), el separador #20 y la Tuerca de Seguridad #26. Nota el Separador #20 va entre el tubo conector #16 y el tubo vertical #15. Vea la Figura 7 y el Detalle B. Apriete todas las tuercas ajustándolas, pero no las sobreapriete. Ya que las uniones deben girar.



PRECAUCIÓN:

LA MITAD DE LA MESA NO PUEDE ESTAR PARADA SOLA. USTED DEBE DE DETENERLA!

Coloque la mitad de la mesa contra la pared para ayudar a estabilizarla. Asegúrese que haya suficiente espacio para colocar la segunda mitad de la mesa.



PRECAUCIÓN:

NO TRATE DE LEVANTAR HACIA ARRIBA ESTA MITAD A LA POSICIÓN DE ALMACENAMIENTO SINO HASTA QUE LA OTRA MITAD ESTE UNIDA. USTED TIENE QUE HABER LEEIDO Y ENTENDIDO TODAS LAS INSTRUCCIONES DE OPERACION.



PRECAUCIÓN: ¡POR LO MENOS SE REQUIERE DE DOS ADULTOS PARA COMPLETAR LOS SIGUIENTES PASOS!

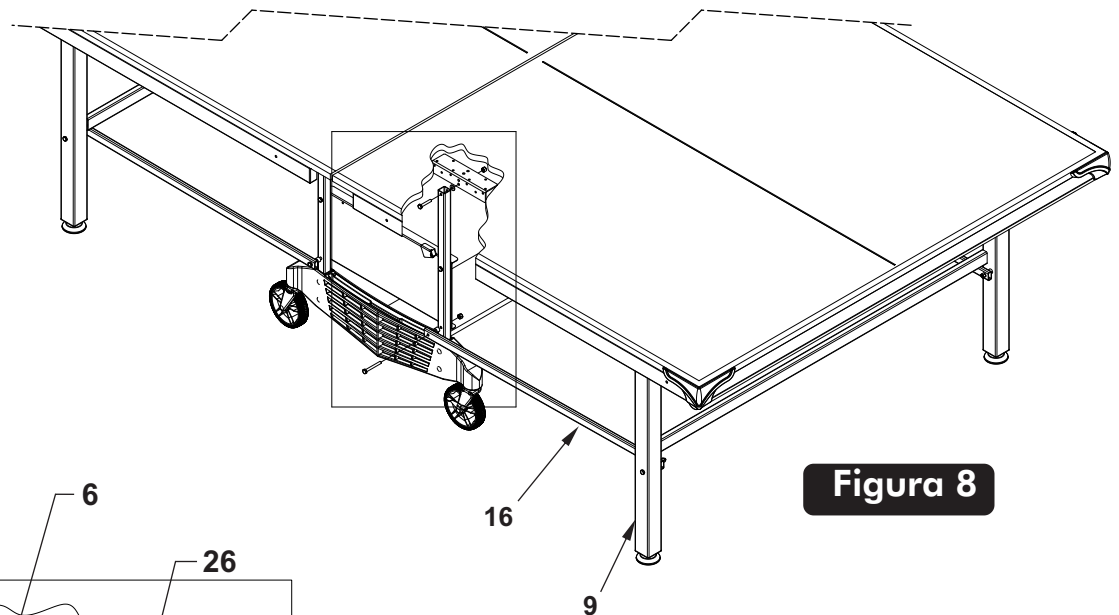


Figura 8

16. Con la primera mitad de la mesa (que acaba de ensamblar) recargada contra la pared, coloque la segunda mitad de la mesa.

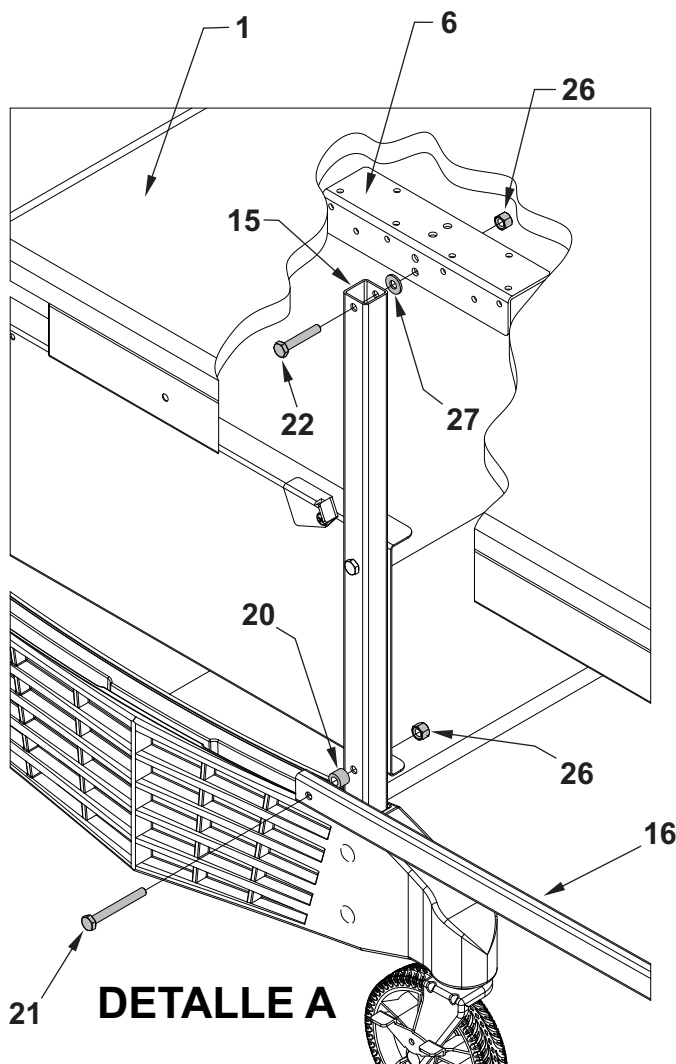
Asegúrese de que la pata ensamblada #9 en la segunda mitad de la mesa esté abierta y los tubos conectores #16 estén apuntando hacia el centro de la mesa. Vea la Figura 8. Con una persona adulta a cada lado de la mesa, levante y ponga la mitad de la mesa en el piso.



PRECAUCIÓN:

LA MITAD DE LA MESA NO PUEDE ESTAR PARADA SOLA. USTED DEBE DE DETENERLA!

Mientras sostiene la mitad de la mesa hacia arriba, deslice esta mitad hacia la base ensamblada hasta que el orificio del tubo vertical #15 esté alineado con los orificios inferiores del centro del soporte de montaje (escuadra) #6 en la parte inferior de la mitad de la mesa. Vea la Figura 8 y Detalle A. Coloque los tubos verticales #15 a los Soportes de montaje (escuadra) #6 con los tornillos hexagonales #22, las Rondana #27 y las Tuerca de Seguridad #26 que colocó en el (piso) en el paso 13.



DETALLE A

17. Quite los tornillos #21 de la parte inferior de los orificios inferiores que unen las Placas a los Tubos Verticales. Coloque el extremo del Tubo conector #16 hacia el exterior del Tubo Vertical #15 con los tornillos #21 (que acaba de quitar), el separador #20 y la Tuerca de Seguridad #26. Nota el Separador #20 va entre el tubo conector #16 y el tubo vertical #15. Vea la Figura 8 y el Detalle A. Regrese sobre lo ensamblado y apriete todas las tuercas ajustándolas, pero no las sobre apriete. Ya que las uniones deben girar.

¡Felicitaciones! Ya ha completado el ensamblamiento de su Mesa nueva de Tenis. Por favor de lea y entienda las Instrucciones para Abrir y Cerrar la Mesa Antes de Utilizarla

PARA NIVELAR LA MESA EN LA POSICION DE JUEGO

Usted puede subir o bajar (elear), los extremos de la mesa atornillando los niveladores de las Patas #13 para bajarla o elevarla Vea la Figura 9.

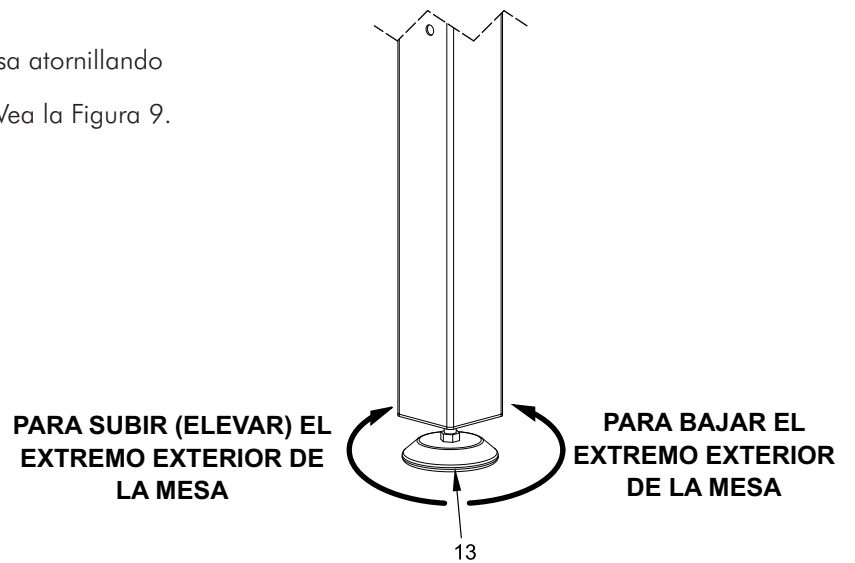
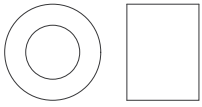
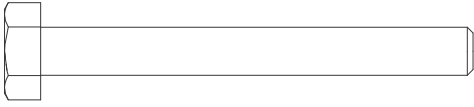
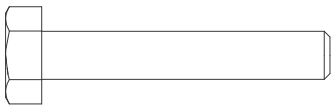

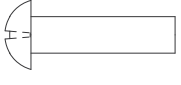
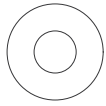
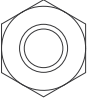
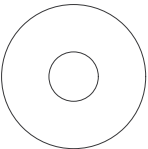
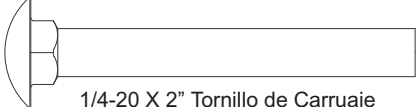
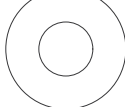
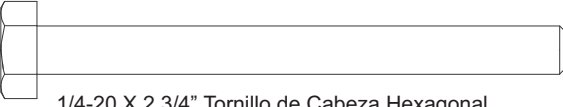

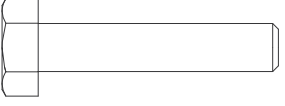


Figura 9

IDENTIFICADOR DE TORNILLOS

<p>20</p>  <p>Separador de 3/8" (8 piezas)</p>	<p>21</p>  <p>1/4-20 X 2 1/4" Tornillo de Cabeza Hexagonal (4 piezas)</p>	<p>22</p>  <p>1/4-20 X 1 1/2" Tornillo de Cabeza Hexagonal (8 piezas)</p>		
<p>23</p>  <p>#10-24 Tuerca de Seguridad (2 Piezas)</p>	<p>24</p>  <p>#10-24 X 3/4" Tornillo Phillips (2 Piezas)</p>	<p>25</p>  <p>Rondana #10 (2 piezas)</p>	<p>26</p>  <p>1/4-20 Tuerca de Seguridad (32 Piezas)</p>	<p>27</p>  <p>Rondana de Plástico (12 piezas)</p>
<p>28</p>  <p>1/4-20 X 2" Tornillo de Carruaje (8 piezas)</p>	<p>29</p>  <p>Rondana de 1/4" (8 piezas)</p>	<p>30</p>  <p>1/4-20 X 2 3/4" Tornillo de Cabeza Hexagonal (4 piezas)</p>		
<p>31</p>  <p>1/4-20 X 3 1/4" Tornillo de Cabeza Hexagonal (4 piezas)</p>		<p>32</p>  <p>1/4-20 X 1 1/4" Tornillo de Cabeza Hexagonal (4 piezas)</p>		

INSTRUCCIONES PARA ABRIR Y CERRAR LA MESA

! PRECAUCIÓN:

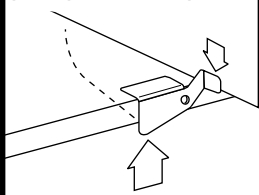
LEA CUIDADOSAMENTE LAS INSTRUCCIONES DE OPERACIÓN ANTES DE UTILIZAR LA MESA! NO PERMITA QUE LOS NIÑOS ABran LA MESA! NO DEBEN SUBIRSE, PARARSE ENCIMA O BRINCAR SOBRE LA MESA. YA QUE PUEDEN RESULTAR LESIONES GRAVES O FATALES! ESTA MESA NO ES UN JUGUETE! LA MESA DEBE DE ABRIRSE O CERRARSE SOLAMENTE POR LOS ADULTOS! DE NO CUMPLIR CON LAS INSTRUCCIONES PARA ABRIR O CERRAR LA MESA PUEDE RESULTAR EN LESIONES PERSONALES O DAÑOS MATERIALES.

PARA ABRIR:

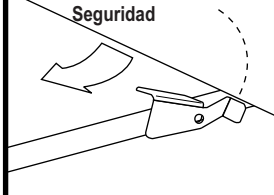
1. Párese detrás de la mesa cerca del pasador de seguridad.
2. detenga la mitad de la mesa con una mano y gire el pasador de seguridad lo suficientemente para permitir que pase sobre la orilla de la mitad de la mesa.
3. Mientras cuida el pasador de seguridad, gire la mitad de la mesa hasta que se mueva y pase el pasador de seguridad. Una vez que ha pasado sobre el pasador de seguridad, pare de girar la mitad de la mesa.
4. Con ambas manos sobre la mitad de la mesa. Desde el centro de la mitad de la mesa baje la mitad de la mesa a el piso.
5. Repita los mismos pasos para la otra mitad de la mesa.



Gire el pasador de Seguridad hasta que la orilla de la mesa pueda pasar sobre el pasador.

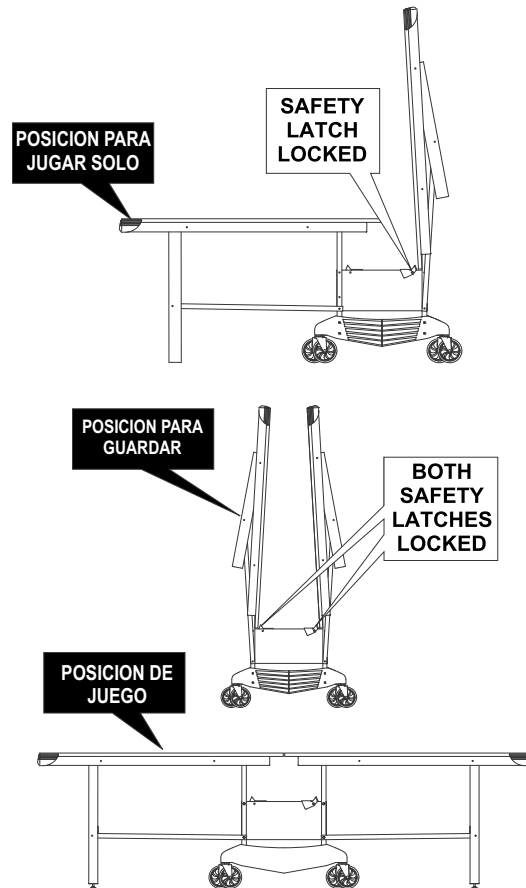


Pase la orilla de la Mesa sobre el Pasador de Seguridad



PARA CERRAR

1. Levante la mitad de la mesa hacia arriba y hacia el interior y adentro hasta la posición vertical.
2. Asegúrese que la mitad de la mesa esté asegurada con el pasador de seguridad.
3. Repita los mismos pasos para la otra mitad de la mesa.



! PRECAUCIÓN

ESTA ES UNA MESA DE JUEGO. NO DEBEN SENTARSE, PARARSE, RECARGARSE, CAMINAR O BRINCAR SOBRE LA MESA. DE NO CUMPLIR CON ESTAS PRECAUCIONES PUEDE RESULTAR EN LESIONES PERSONALES Y/O DAÑOS MATERIALES.

GARANTÍA LIMITADA POR UN AÑO

Esta garantía es aplicable para consumidores de la compra original de cualquier producto ESCALADE® SPORTS (en adelante denominado el "Producto").

DURACIÓN DE LA GARANTÍA: Se garantiza este Producto al comprador original por un período de un (1) año a partir de la fecha de compra.

COBERTURA DE LA GARANTÍA: ESCALADE SPORTS le garantiza al comprador original que cualquier producto de su fabricación está libre de defectos en los materiales y fabricación cuando se lo utiliza para el propósito establecido, bajo condiciones normales de uso. ESTA GARANTÍA NO TIENE VALIDEZ SI EL PRODUCTO SE HA DETERIORADO POR ACCIDENTE, USO INDEBIDO, NEGLIGENCIA, MANTENIMIENTO INCORRECTO, NO SEGUIR LAS INSTRUCCIONES QUE VIENEN CON EL PRODUCTO U OTRAS CAUSAS NO RELACIONADAS CON DEFECTOS EN LOS MATERIALES O FABRICACIÓN.

APLICACIÓN DE LA GARANTÍA: Durante el período de garantía de un (1) año, ESCALADE SPORTS reparará o reemplazará con otro similar, todo modelo o Producto o componente que resulte defectuoso bajo condiciones normales de uso y cuidado, cuando nuestra inspección demuestre que a nuestra satisfacción el mismo realmente es defectuoso; sírvase contactar a nuestro Departamento de Garantía.

1-800-467-1245 / Departamento de Garantía (Warranty Dept.)

○ escribanos a:

Escalade® Sports, Inc. - P.O. Box 889, Evansville, IN 47706 - Attn: Warranty Dept.

○ por correo electrónico a:

tabletennis@escaladesports.com

Fuera de los gastos de envío, no se impondrá cargo alguno por la reparación o reemplazo de los productos en garantía. ESCALADE® SPORTS recomienda asegurar los Productos por su valor antes del envío.

LIMITACIÓN DE LA GARANTÍA: TODA GARANTÍA ORIGINADA EN ESTA VENTA, INCLUYENDO EN FORMA NO TAXATIVA, LAS GARANTÍAS IMPLÍCITAS DE COMERCIALIZACIÓN Y APTITUD PARA UN FIN ESPECÍFICO, TENDRÁ VIGENCIA POR UN PLAZO DE UN (1) AÑO. ESCALADE® SPORTS NO SERÁ RESPONSABLE POR LA IMPOSIBILIDAD DE UTILIZAR EL PRODUCTO U OTROS COSTOS INCIDENTALES O RELACIONADOS, PERJUICIOS O PERDIDAS GENERADAS POR EL CONSUMIDOR ANTE CUALQUIER OTRO USO.

Algunos estados no permiten la exclusión o limitación de las garantías implícitas o daños incidentales o conexos, de modo que las limitaciones que anteceden pueden no ser aplicables en su caso.

RECURSOS LEGALES: Esta garantía le otorga algunos derechos específicos además de otros derechos que varían según el estado.

CUIDADO Y MANTENIMIENTO

Usted ha comprado un producto de calidad que podrá disfrutar muchos años. Si sigue estos simples pasos de mantenimiento, alargará la vida de la mesa.

TABLERO

El tablero (superficie de juego) está construido de aglomerado. Al igual que todos los productos de madera, se puede ver afectado por cambios de temperatura y humedad causando una leve deformación por expansión o contracción. Esta situación es normal y no resta valor a la mesa ni afecta el juego. Después de armada, guardar plegada en lugar seco cuando no está en uso para minimizar los efectos de cambios de temperatura y humedad.

GUARDADO DE LA MESA

Se debe guardar la mesa en el interior para prevenir daños en la superficie de juego. La humedad y los cambios bruscos de temperatura pueden provocar alabeo, hinchazón, fisuras o ampollado de la madera. Cuando la mesa no se encuentra en uso, guardar plegada en lugar seco. Debido a la naturaleza del aglomerado, se puede albear la superficie. La humedad puede aumentar este efecto que es normal y no afecta el uso de la mesa.

LIMPIEZA

Para limpiar la mesa, utilizar un trapo suave y húmedo solamente (NO MOJADO). Para evitar daños en la superficie de juego, NO UTILIZAR AGENTES QUÍMICOS, ABRASIVOS NI PRODUCTOS DE LIMPIEZA sobre el tablero.

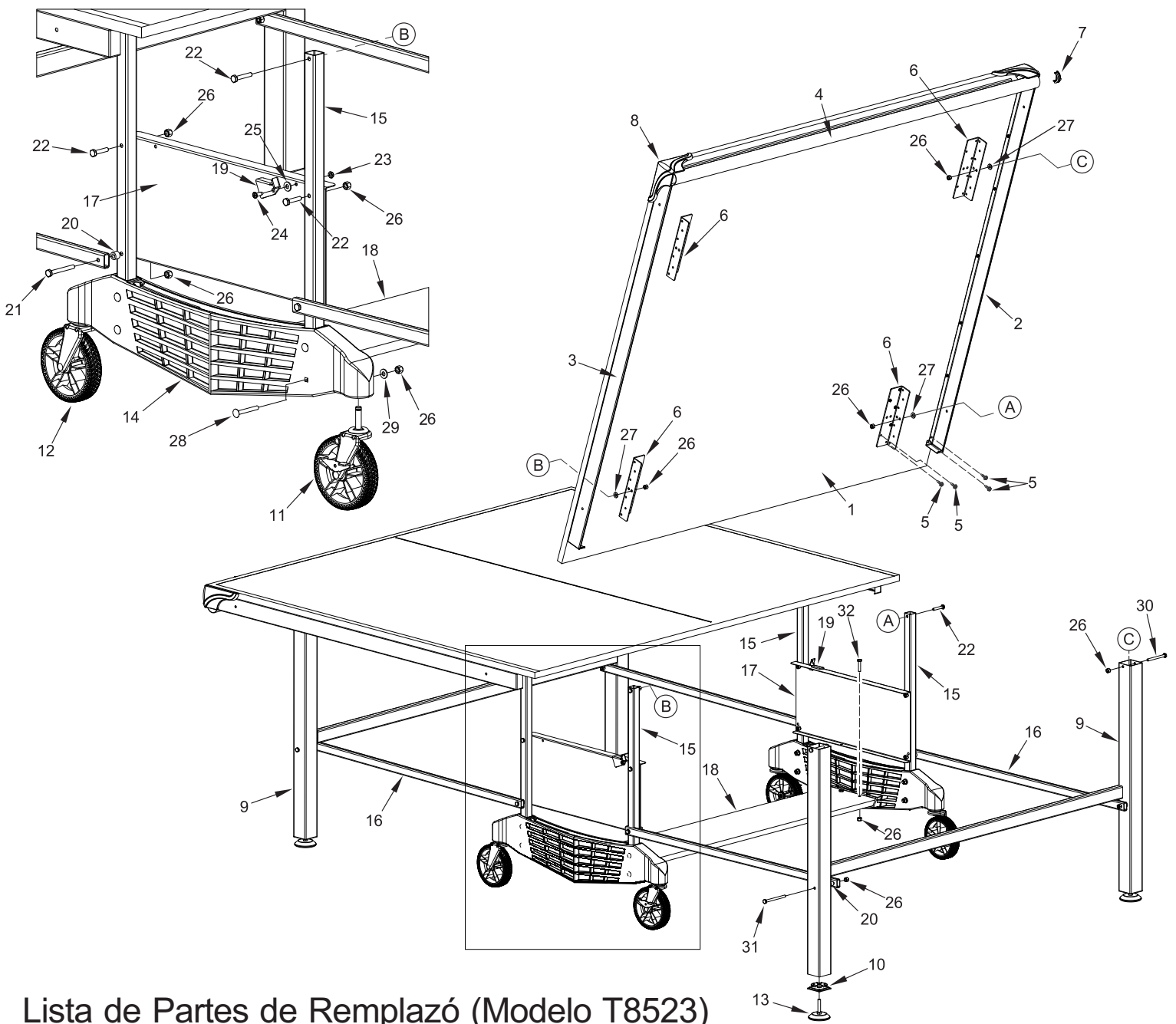
MANTENIMIENTO

Lubricar todas las partes móviles, incluyendo los puntos de giro. Esto garantizará la seguridad y facilidad de uso.

Guardar en lugar cerrado para impedir daños en la superficie de juego. La humedad y los cambios bruscos de temperatura que se producen en patios o áreas similares pueden provocar el alabeo, hinchazón, fisuras o ampollado de la madera.

PISOS DESNIVELADOS

Si la mesa no parece estar nivelada, probablemente se deba a pisos desparejos o desnivelados. Colocar la mesa en POSICIÓN DE JUEGO y moverla algunas pulgadas en distintas direcciones hasta encontrar una mejor ubicación. Si el piso está extremadamente desnivelado, no se puede utilizar la mesa adecuadamente. Si el tablero está más alto en el medio, suplementar con una cuña las patas exteriores.



Lista de Partes de Reemplazó (Modelo T8523)

# de Ref.	# de Parte	Descripción	Cant.	# de Ref.	# de Parte	Descripción	Cant.
1	4A-5532-00	Tablero	2	18	2W-7641-01	Table Inferior de Madera	1
2	2S-4644-05	Riel lateral Mano Derecha	2	19	2S-6496-02	Pasador de Seguridad	2
3	2S-4645-05	Riel lateral Mano Izquierda	2	20	7B-6161-02	Separador de plástico	8
4	2S-5136-01	Recipiente de Pelotas / Riel del Extremo	2	21	WB-1075-02	¼ -20 x 2¼ Tornillo de Cabeza Hexagonal	4
5	1B-4082-99	#8 X 9/16" Tornillo para Lamina de Metal	122	22	WB-1094-02	¼ -20 x 1 ½ Tornillo de Cabeza Hexagonal	8
6	2S-6139-01	Soporte de Montaje en Escuadra	8	23	WB-1007-02	#10-20 Tuerca de Seguridad	2
7	3M-1027-00	Tapón (para el Riel)	4	24	1B-4049-01	#10-20 x ¾ Tornillo Phillips de Cabeza Redonda	2
8	3M-4165-00	Protector de las Esquinas	4	25	2N-0214-02	#10 Rondana	2
9	1A-7001-02	Pata Ensamblada	2	26	2B-4047-02	¼ -20 Tuerca de Seguridad	32
10	7B-6404-00	2 x 2 inserción de plástico (roscas de 5/16-18)	4	27	2B-6087-02	Rondana de Plástico	12
11	2Q-4031-00	5" Llanta sin Seguro	2	28	1B-6117-00	¼ -20 x 2 Tornillo de Carruaje	8
12	2Q-4032-00	5" Llanta con Seguro	2	29	2N-0109-02	¼ Rondana	8
13	2Q-4028-00	5/16-18 Pata Niveladora	4	30	1B-6191-02	¼ -20 x 2¾ Tornillo de Cabeza Hexagonal	4
14	3M-6839-01	Carril con llantas de Plástico Moldeado	2	31	1B-6477-02	¼ -20 x 3¼ Tornillo de Cabeza Hexagonal	4
15	8S-6783-02	Tubos Verticales	4	32	1B-6475-02	¼ -20 x 1¼ Tornillo de Cabeza Hexagonal	4
16	8S-6506-03	Tubo Conector	4	33	5A-4276-00	66" Red y Juego (conjunto) de Postes	1
17a	2S-6422-28	Placa con nombre	2	34	2L-4138-00	Manual del Usuario	1