

Unit Information

1200 Watts - NEMA 5-15P

Up to 30 (5/8" thick) waffles per hour

Triple-coated nonstick plates

Beep signals when unit is ready & waffle is cooked

Thermal Protection - If power is lost during operation, unplug and let cool 10 minutes. Plug in and continue use.

WARING COMMERCIAL®

WWD180

Heavy-Duty Waffle Maker

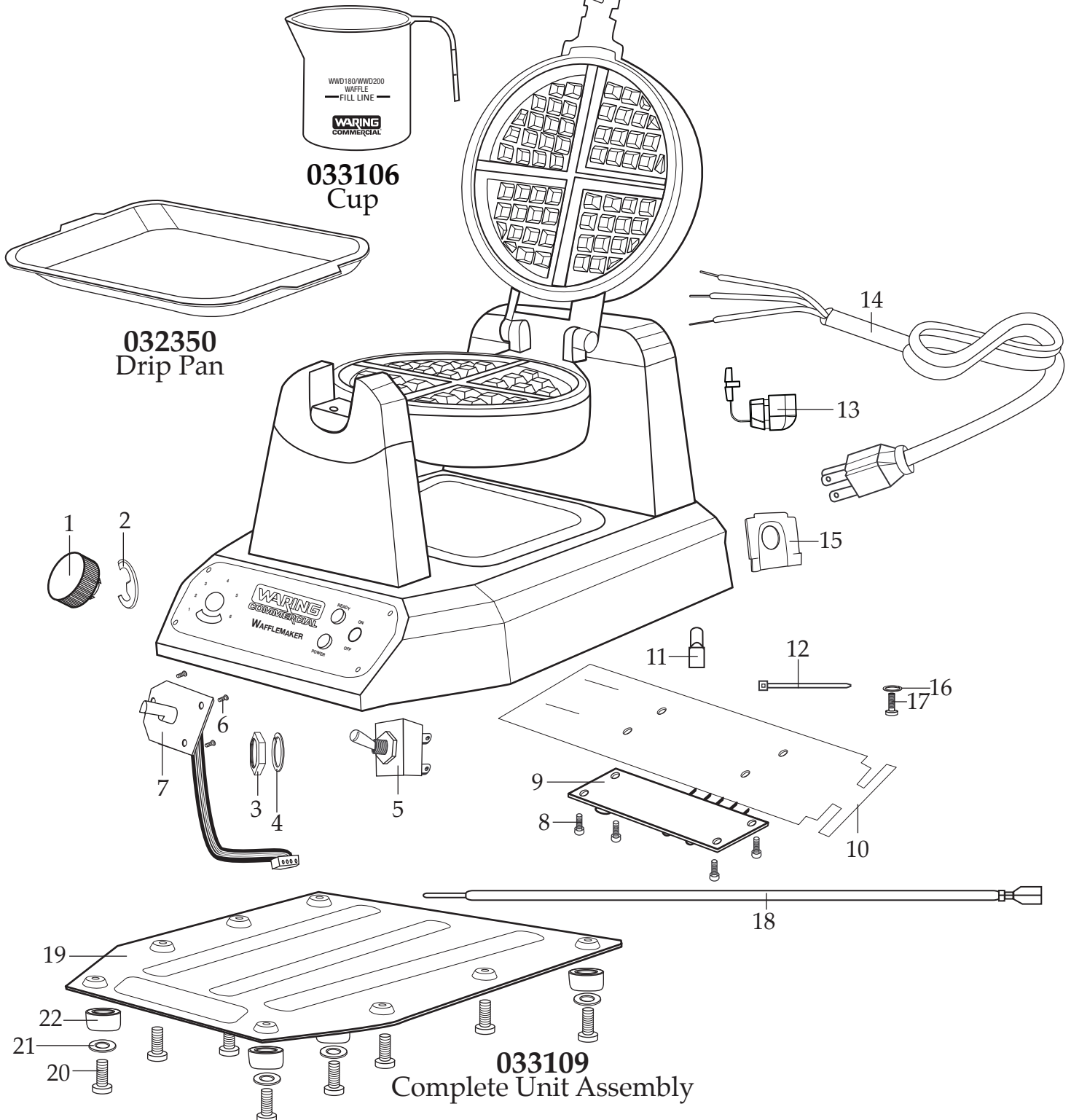


Illustration #	Part #	Description
1	032352	Browning Control Knob
2	032362	E Ring
3	016236	Hex Nut
4	032356	Washer
5	032368	Toggle Switch/on-off
6	032359	Screw 3 required
7	033108	Darkness Control Panel (<i>thermostat</i>)
8	032359	Screw 4 required
9	030635	PCB Board
10	030638	PCB Board Shield
11	019123 012409	Crimp Connector/large Crimp Connector/small 3 required
12	013731	Wire Tie 4 required
13	032361	Strain Relief
14	032363	Cord Set
15	032371	Cord Plate
16	032360	Spring Washer/ground 2 required
17	032359	Screw/ground 2 required
18	032367	Red Lead
19	032351	Bottom Plate
20	032355	Screw 8 required
21	032354	Washer/foot 4 required
22	032353	Foot 4 required