

WARING COMMERCIAL®

503190 Unit Assembly

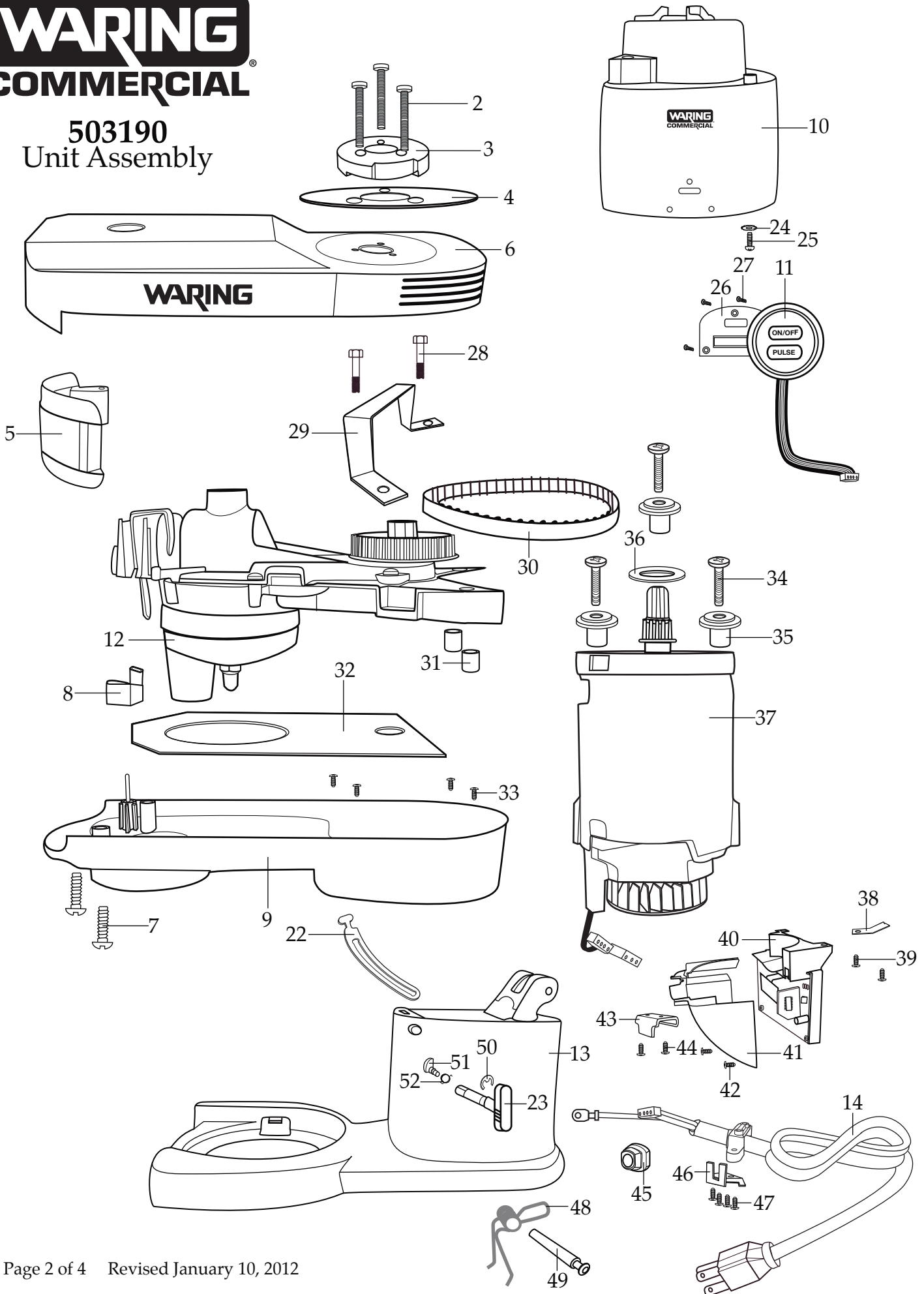
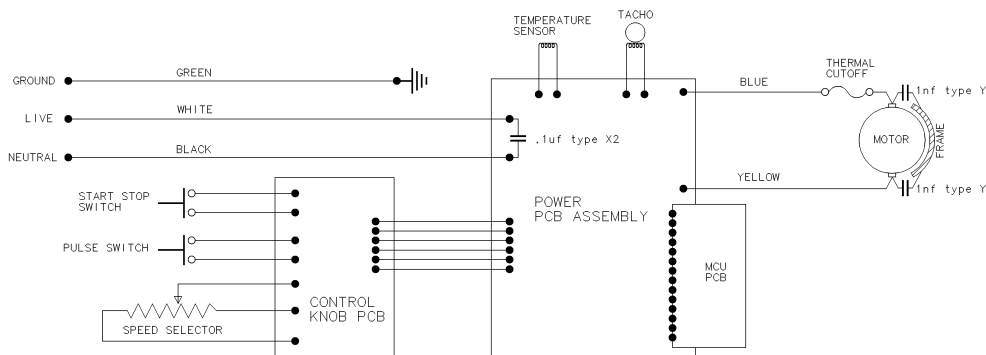
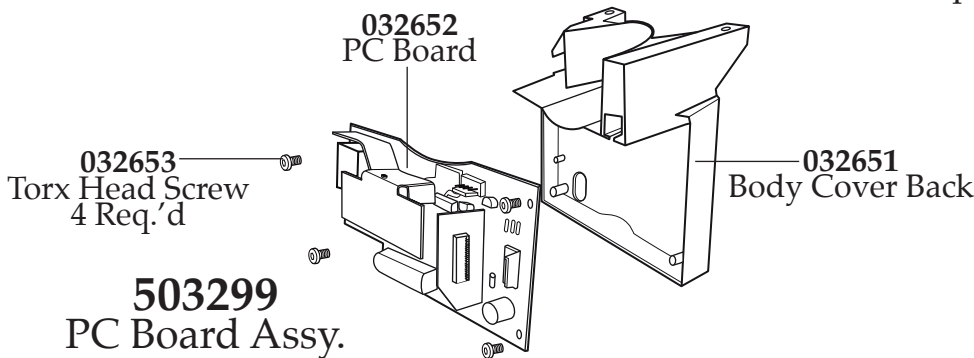


Illustration #	Part #	Description
1	029128	Top Cover
2	029906	Screw 3 Req.'d
3	029907	Spigot
4	029908	Spigot Seat Plate
5	503294	Front Cover Assy.
6	503295	Middle Cover Assy.
7	029909	Screw 2 Req.'d
8	029910	Knob
9	503296	Lower Cover Assy.
10	029911	Body
11	029912	Control
12	503297	Gear Box Assy.
13	029913	Pedestal
14	029914	Cord
15	029915	Feet 4 Req.'d
16	029131	Splash Guard
17	029130	Bowl
18	029132	Whisk
19	029134	Paddle
20	029133	Dough Hook
21	029129	Bowl Pad
22	029916	Quadrant
23	503298	Quadrant Spindle Assy.
24	029917	Washer /ground
25	029918	Screw /ground
26	029919	Control Bracket
27	029920	Screw 3 Req.'d
28	029921	Hex Head Bolt 2 Req.'d
29	029922	Bracket
30	029923	Timing Belt
31	029924	Spacer 2 Req.'d
32	029925	Felt Pad
33	029918	Screw 4 Req.'d
34	029926	Screw 3 Req.'d

Illustration #	Part #	Description
35	029927	Motor Bushing 3 Req.'d
36	029928	Washer
37	029929	Motor
38	029930	Hinge Retainer
39	029918	Screw 2 Req.'d
40	503299	PC Board Assy.
41	503300	PC Board Assy. Cover
42	029931	Screw 2 Req.'d
43	029932	Quadrant Bracket
44	029918	Screw 2 Req.'d
45	029933	Strain Relief
46	029934	Lower Cord Clamp
47	029918	Screw 4 Req.'d
48	029935	Balance Spring
49	029936	Hinge Pin
50	029937	E Ring
51	029938	Quadrant Spindle Support
52	029939	Head Release Spring



Wiring Diagram