

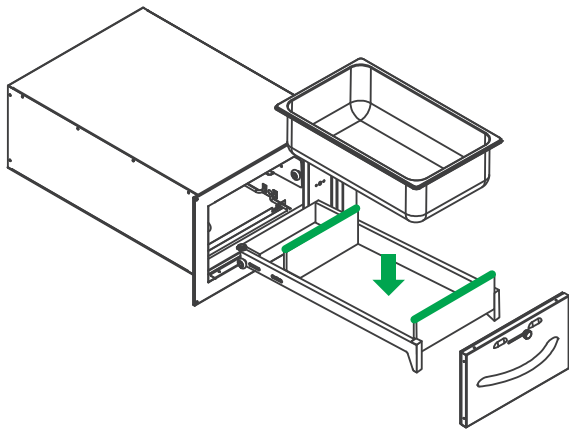
DRAWER WARMER



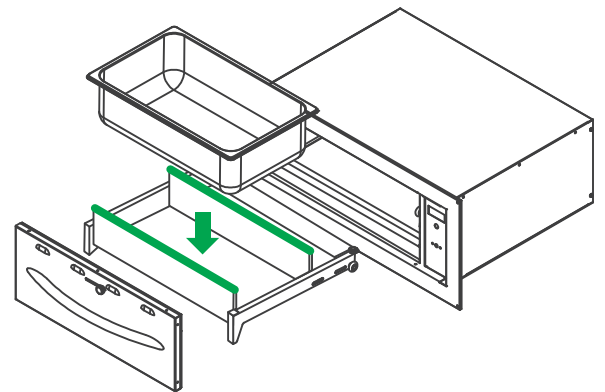
COMPATIBLE PAN LAYOUTS

Maximize your efficiency by choosing the right steam table pans for your drawer warmers!

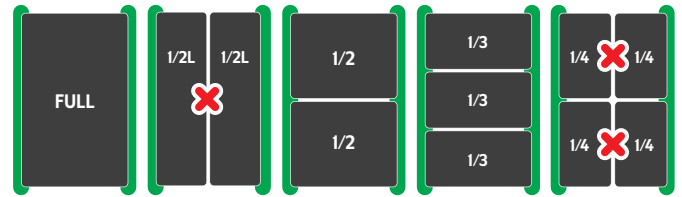
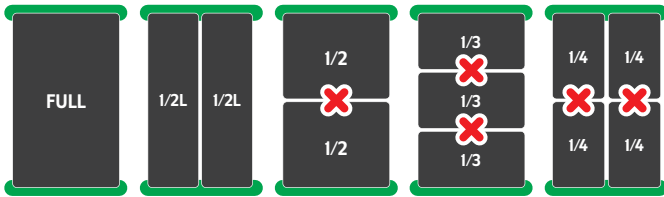
NARROW WIDTH



STANDARD WIDTH



EVERY PAN
must rest upon
BOTH
support rails



✓	✓	✗	✗	✗
FULL SIZE	1/2 SIZE LONG	1/2 SIZE	1/3 SIZE	1/4 SIZE
1	2			

✓	✗	✓	✓	✗
FULL SIZE	1/2 SIZE LONG	1/2 SIZE	1/3 SIZE	1/4 SIZE
1		2	3	

Vigor 22-Gauge Stainless Steel Anti-Jam Steam Table Pans

#24711222	#24712L222	2 1/2" Deep	#24711222	#24712222	#24713222
#24711422	#24712L422	4" Deep	#24711422	#24712422	#24713422
#24711622	#24712L622	6" Deep	#24711622	#24712622	#24713622

RECOMMENDED STEAM TABLE PANS



- 22-Gauge, 300 Series Stainless Steel
- Reinforced, Indented Corner Design
- Anti-Jam Design
- Higher Rim, Flat Edges
- One Year Warranty
- Variety of Sizes & Depths

